



US00D396049S

United States Patent [19]
Chadwick

[11] **Patent Number: Des. 396,049**
[45] **Date of Patent: **Jul. 14, 1998**

[54] **CAN COMPACTOR REFUSE CONTAINER LID**

[75] **Inventor: William H. Chadwick, Thousand Oaks, Calif.**

[73] **Assignee: Pacific Fabrication, Inc., Ontario, Calif.**

[**] **Term: 14 Years**

[21] **Appl. No.: 62,728**

[22] **Filed: Nov. 22, 1996**

[51] **LOC (6) Cl. 15-09**

[52] **U.S. Cl. D15/123; D34/10; D34/11**

[58] **Field of Search D34/1, 5-7, 10, D34/11; 220/908, 909, 916, 329, 345-6, 376, 351; 100/215, 216, 218, 233; D15/123**

[56] **References Cited**

U.S. PATENT DOCUMENTS

D. 268,761	4/1983	Brown	D15/123
D. 341,840	11/1993	Rodriguez et al.	D15/123
2,563,379	8/1951	Smith	153/10.5
2,603,271	7/1952	Heymers	153/10.5
2,638,957	5/1953	Danielson	153/10.5
2,783,367	2/1957	Locke	240/52.1
3,062,130	11/1962	Huber et al.	100/216
3,659,520	5/1972	Garrett et al.	100/216
3,916,780	11/1975	Heiser	100/49
3,918,666	11/1975	Florian	248/4

4,062,283	12/1977	Kaminski	100/218
4,188,875	2/1980	Fabbri et al.	100/218
4,240,341	12/1980	Whipple et al.	100/49
4,532,861	8/1985	Gisselberg	100/233
4,561,351	12/1985	Ader	100/233
4,658,720	4/1987	Massonnet	220/908
5,069,121	12/1991	Fletcher	D15/123

Primary Examiner—Alan P. Douglas
Assistant Examiner—Robin V. Taylor
Attorney, Agent, or Firm—Stetina Brunda Garred & Brucker

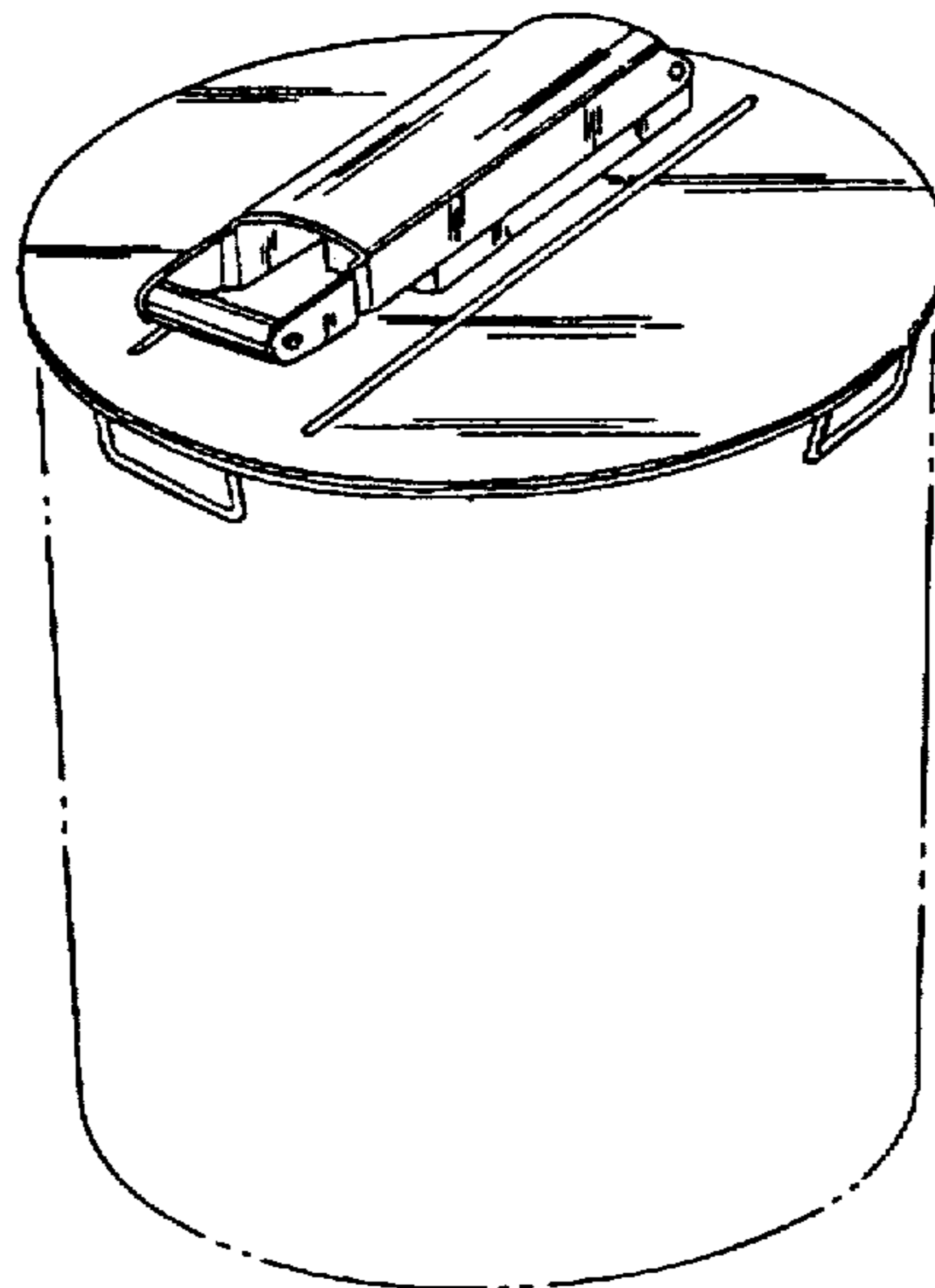
[57] **CLAIM**

The ornamental design for a can compactor refuse container lid, as shown and described.

DESCRIPTION

FIG. 1 is a top perspective view of the can compactor refuse container lid of the present invention showing my design with the phantom lines depicting environmental structure and forming no portion of the claim design;
FIG. 2 is a top perspective view thereof;
FIG. 3 is a bottom perspective view thereof;
FIG. 4 is a side elevational view thereof with the opposite side being a mirror image thereof;
FIG. 5 is a rear elevational view thereof; and,
FIG. 6 is a front elevational view thereof.
The broken line showing of a refuse container is for illustrative purposes only and forms no part of the claimed design.

1 Claim, 2 Drawing Sheets



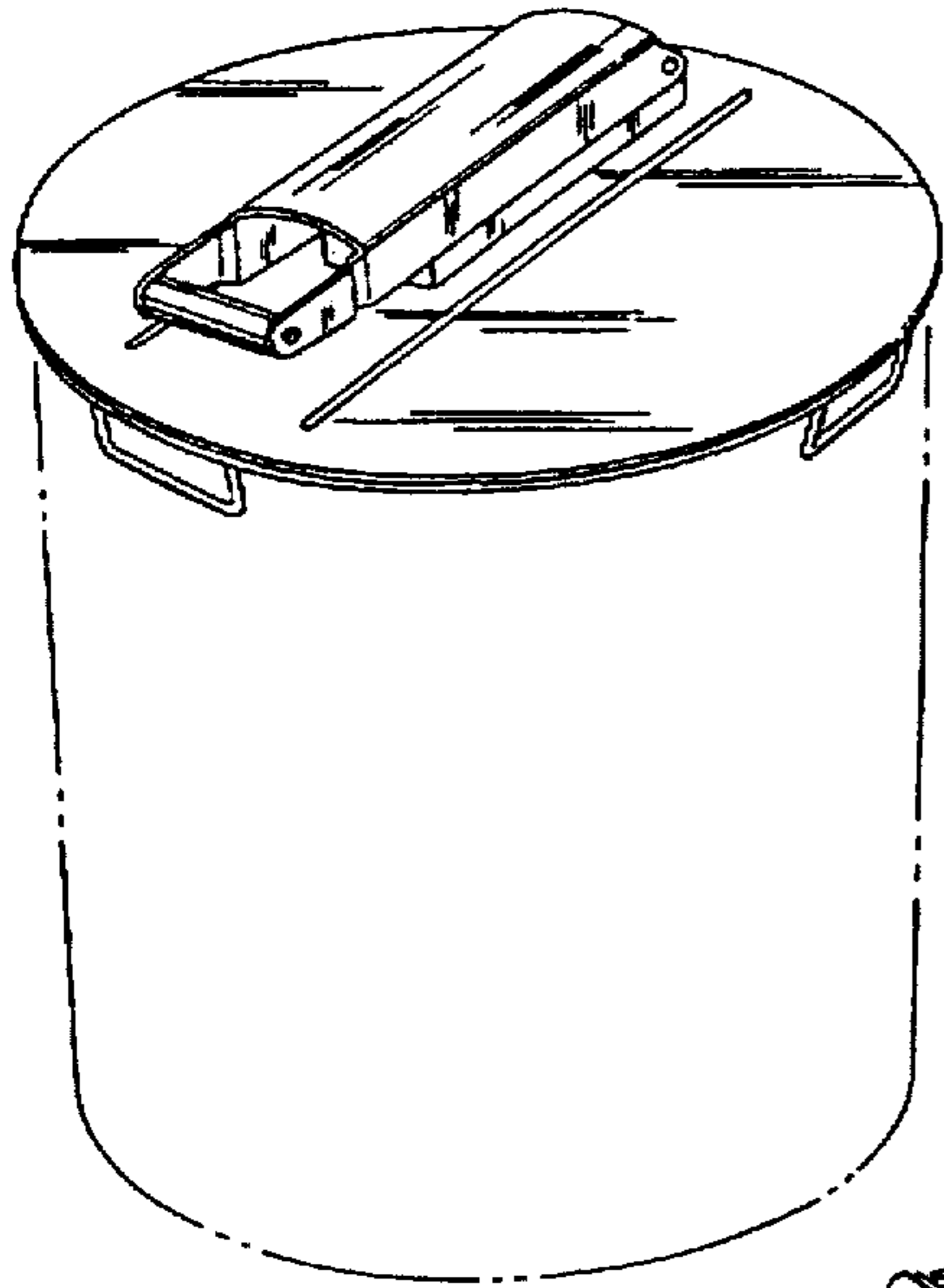


Fig. 1

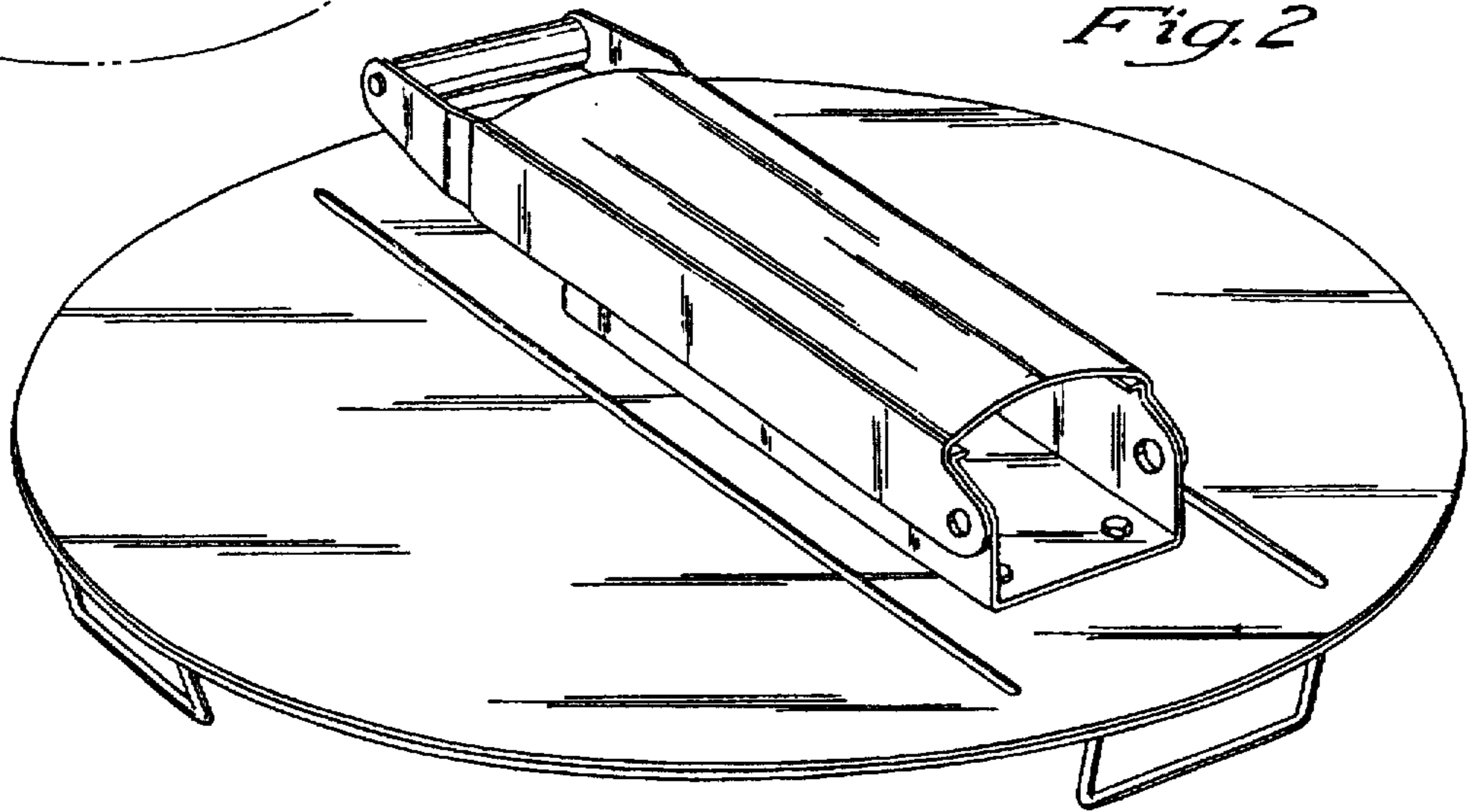


Fig. 2

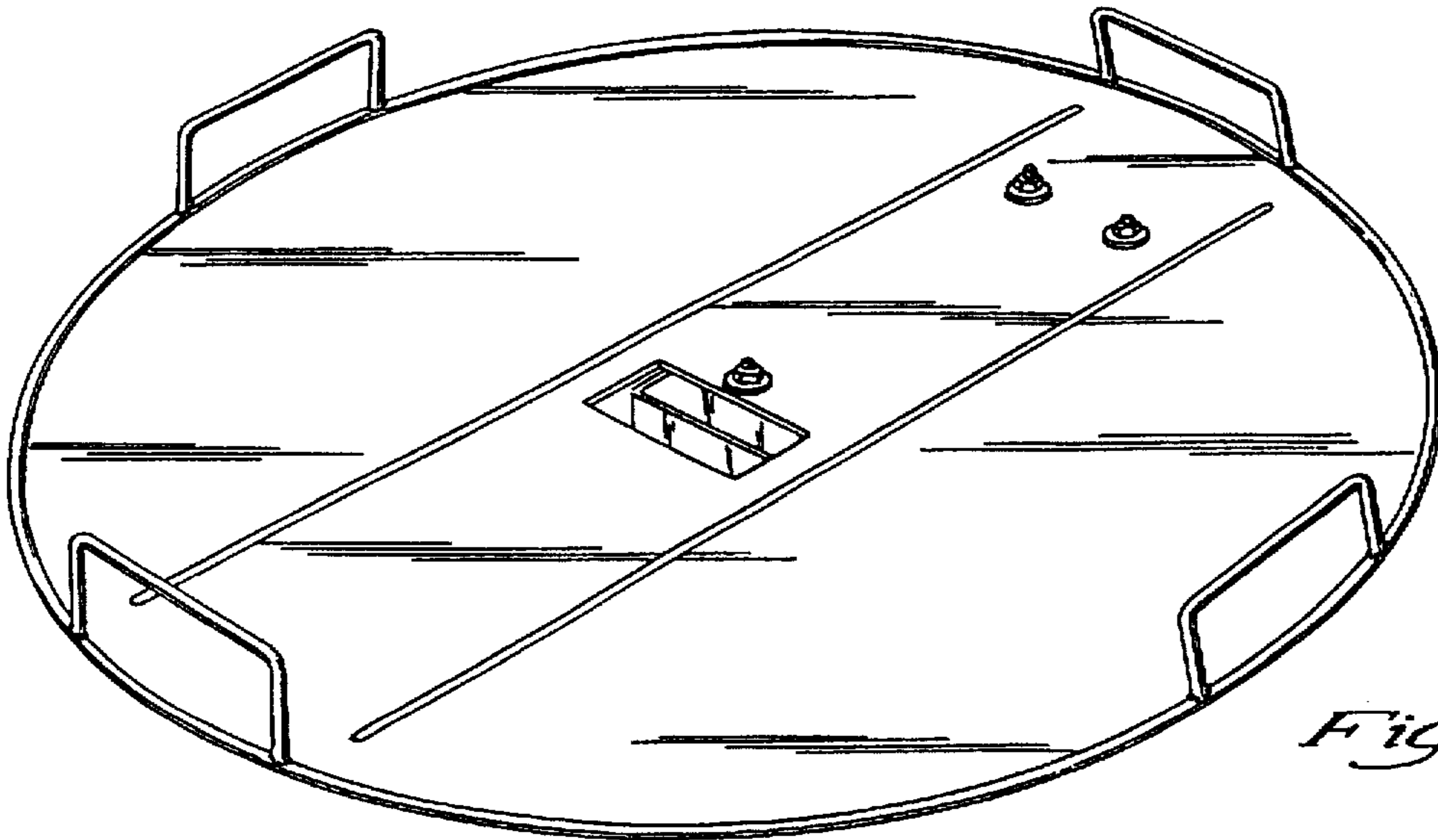


Fig. 3

Fig. 4

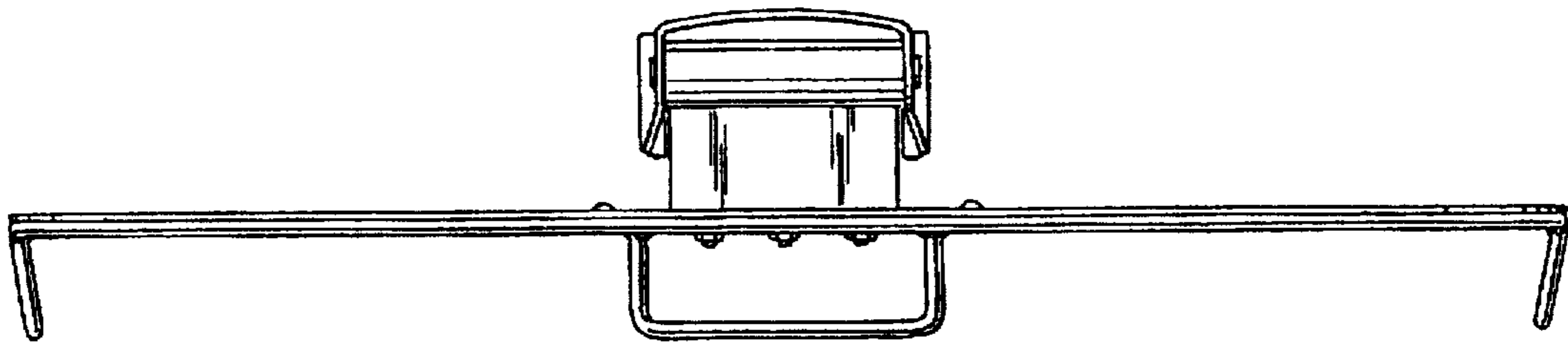
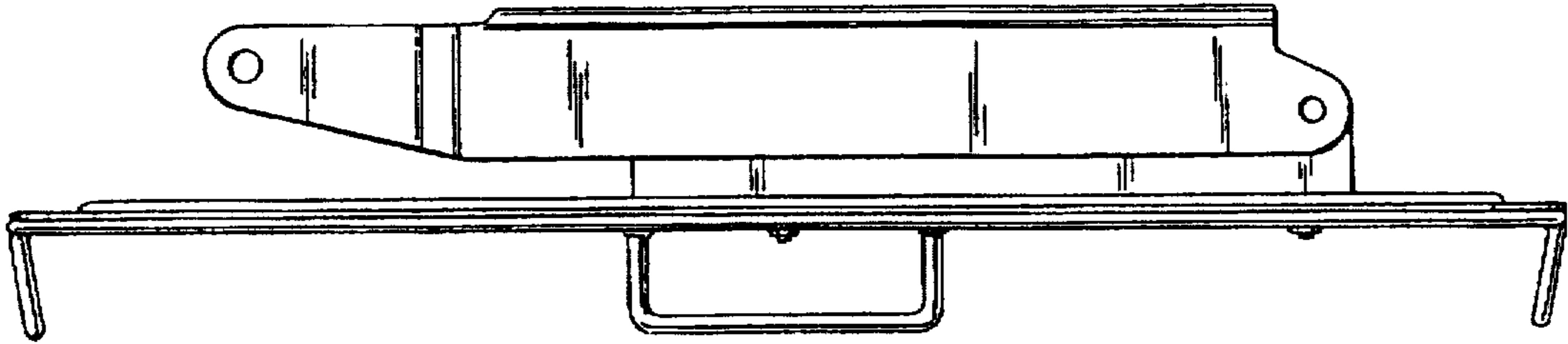


Fig. 5

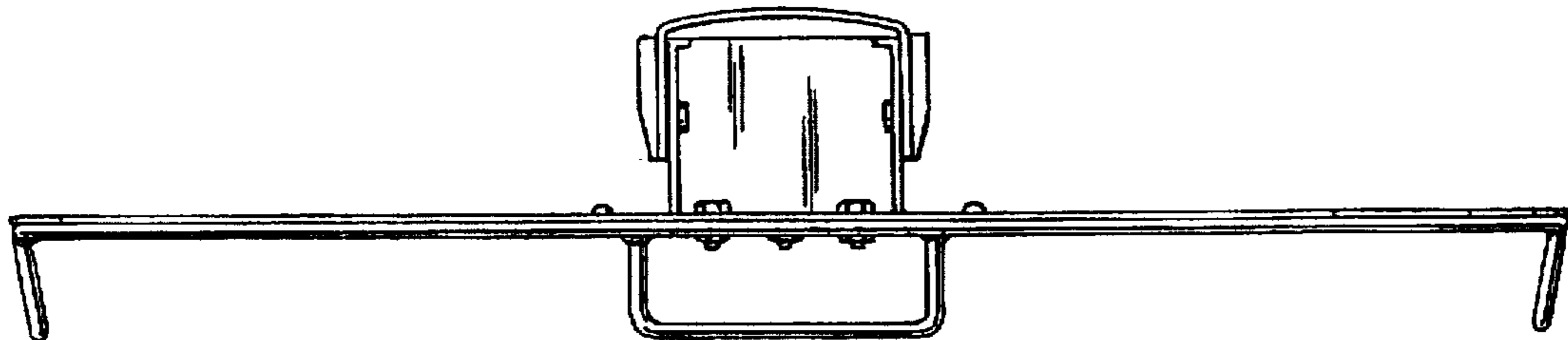


Fig. 6