



US00D396048S

United States Patent [19]
Meehan

[11] **Patent Number:** **Des. 396,048**
[45] **Date of Patent:** ****Jul. 14, 1998**

[54] **MECHANDISE COOLER WITH
TRANSPARENT COVER**

[75] **Inventor:** **Thomas P. Meehan**, Minneapolis,
Minn.

[73] **Assignee:** **The Mike Meehan Company**,
Plymouth, Minn.

[**] **Term:** **14 Years**

[21] **Appl. No.:** **64,992**

[22] **Filed:** **Jan. 16, 1997**

[51] **LOC (6) Cl.** **15-07**

[52] **U.S. Cl.** **D15/83**

[58] **Field of Search** **D6/470-472; D15/79-84;**
62/457.1-457.9, 246-254; 312/114, 116,
117, 119, 138.1, 139.2, 234.1

[56] **References Cited**

U.S. PATENT DOCUMENTS

D. 299,391	1/1989	Meehan	D6/440
D. 307,026	4/1990	Barish	D15/83
3,399,546	9/1968	Kuns et al.	62/246
4,882,910	11/1989	Meehan et al.	62/256
4,946,032	8/1990	Stoddard et al.	62/457.1

Primary Examiner—Sandra L. Morris
Attorney, Agent, or Firm—Haugen and Nikolai, P.A.

[57] **CLAIM**

The ornamental design for the merchandise cooler with transparent cover, as shown and described.

DESCRIPTION

FIG. 1 is a top, front and side perspective view of my new design for a merchandise cooler with transparent cover; FIG. 2 is a side elevational view of the design; FIG. 3 is a front elevational view of the design; FIG. 4 is a rear elevational view of the design; FIG. 5 is a top plan view of the design; FIG. 6 is a bottom plan view of the design; FIG. 7 is a top, front and side perspective view of an alternative embodiment of the design shown in FIG. 1; FIG. 8 is a side elevational view of the alternative embodiment of the design; FIG. 9 is a front elevational view of the alternative embodiment of the design; FIG. 10 is a rear elevational view of the alternative embodiment of the design; FIG. 11 is a top plan view of the alternative embodiment of the design; and, FIG. 12 is a bottom plan view of the alternative embodiment of the design; FIG. 13 is a top, front and side perspective view of a second alternative embodiment of the design shown in FIG. 7; and, FIG. 14 is a top, front and side perspective view of a third alternative embodiment of the design shown in FIG. 1.

1 Claim, 5 Drawing Sheets

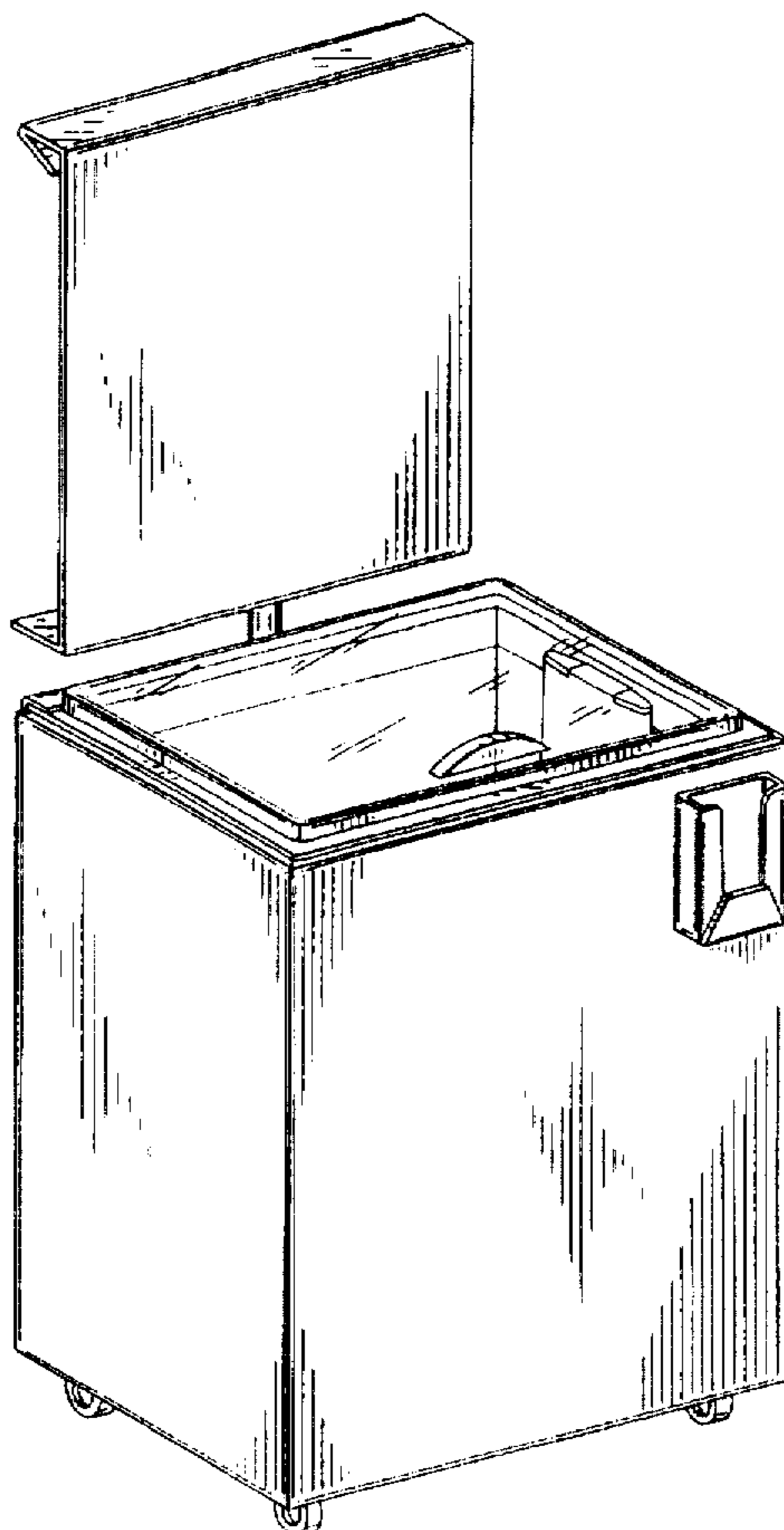


Fig.-1

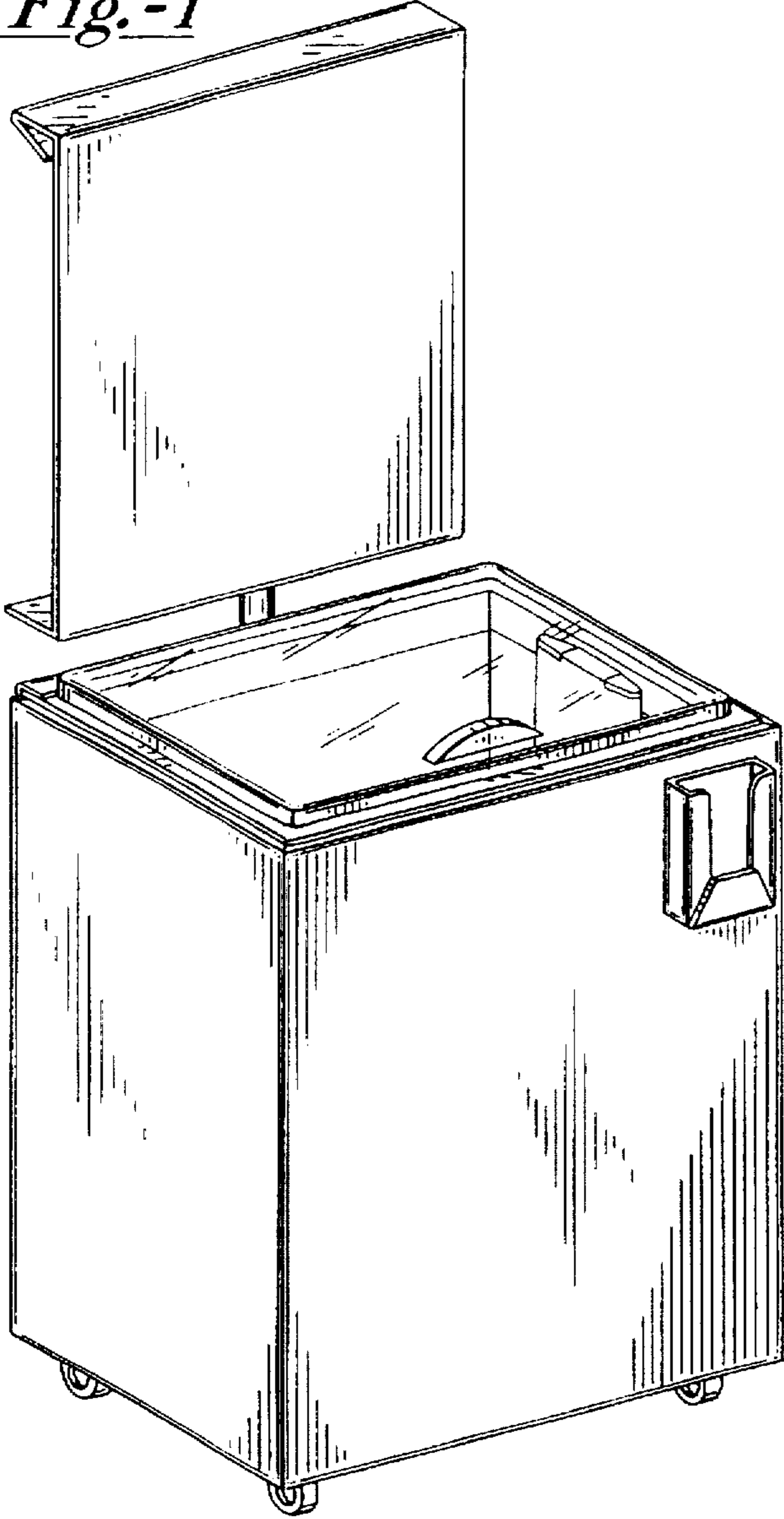


Fig.-2

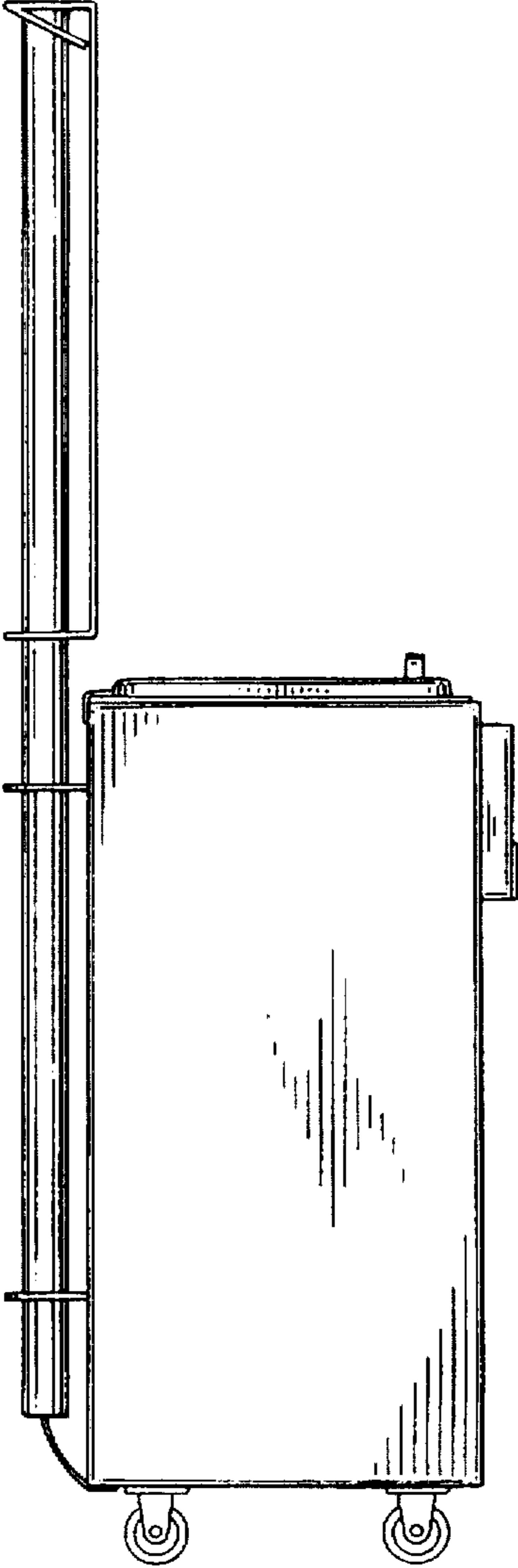


Fig.-3

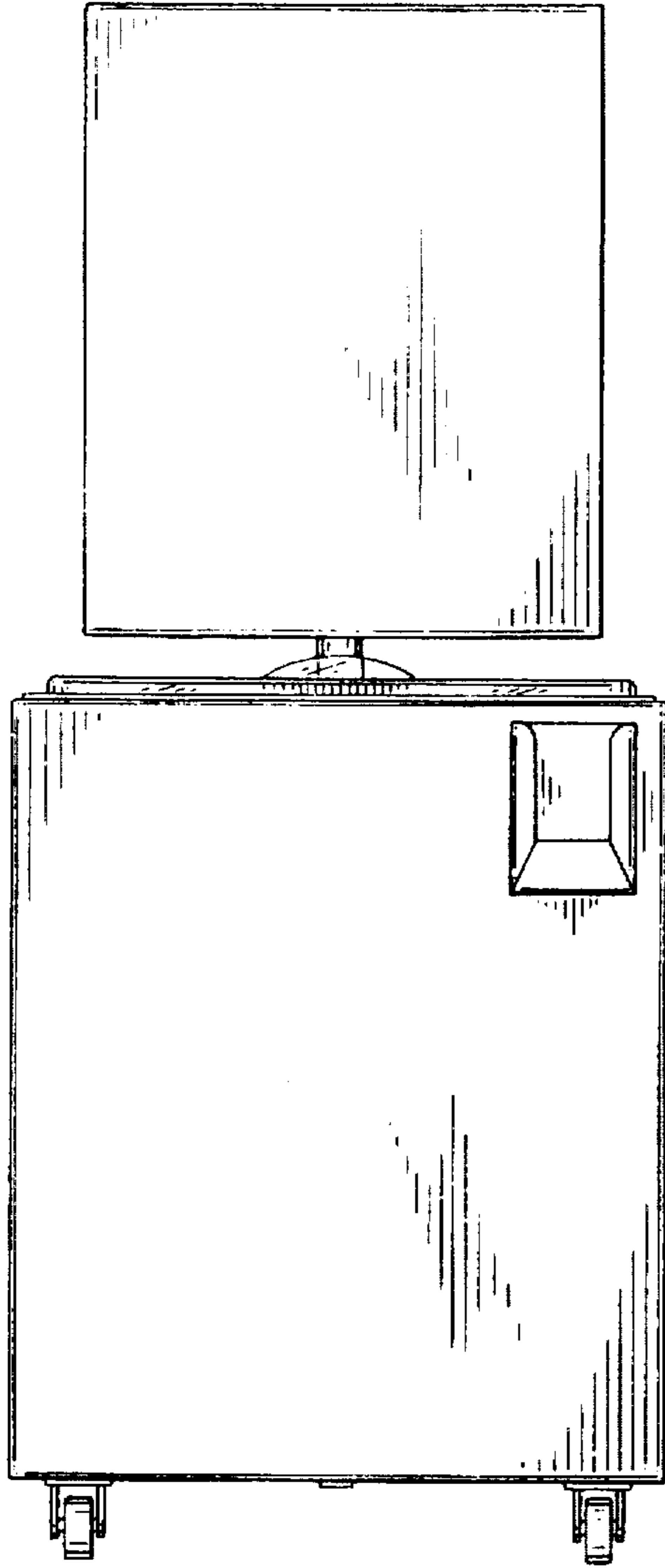


Fig.-4

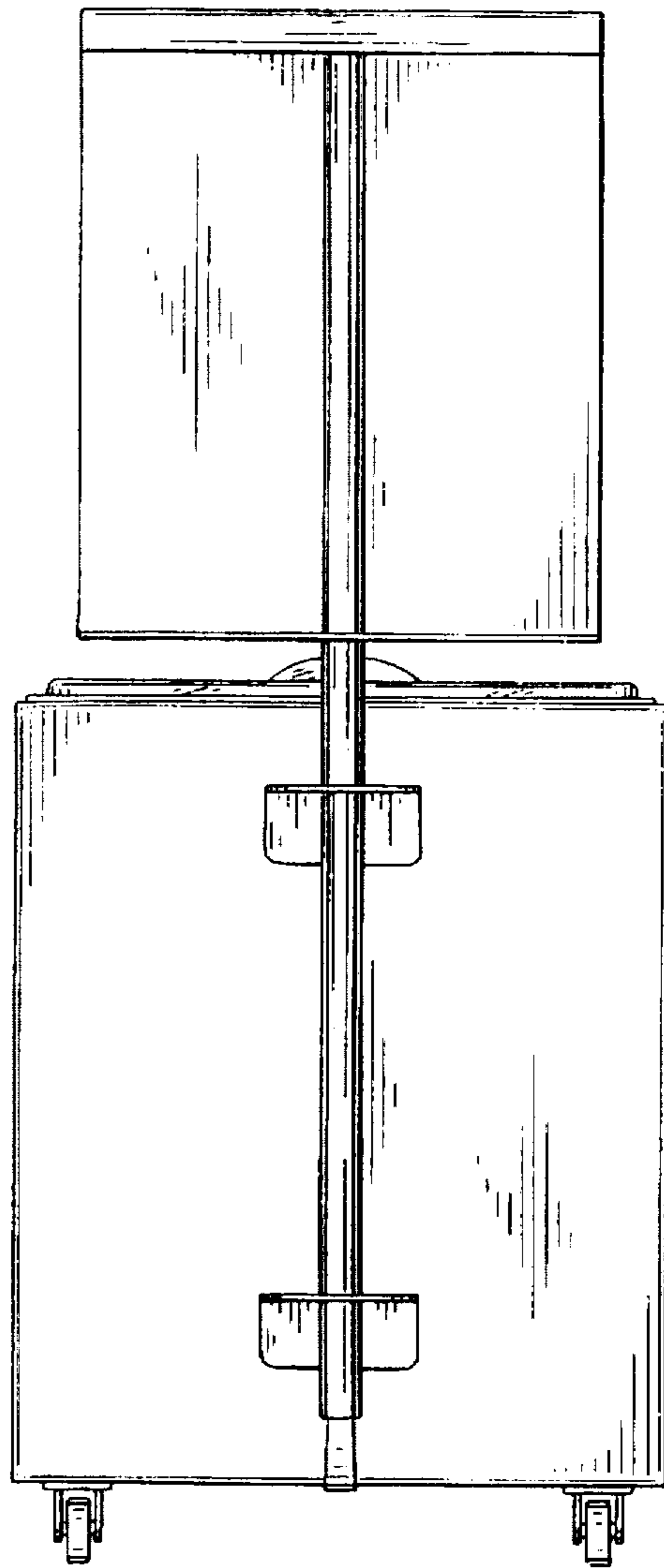


Fig.-5

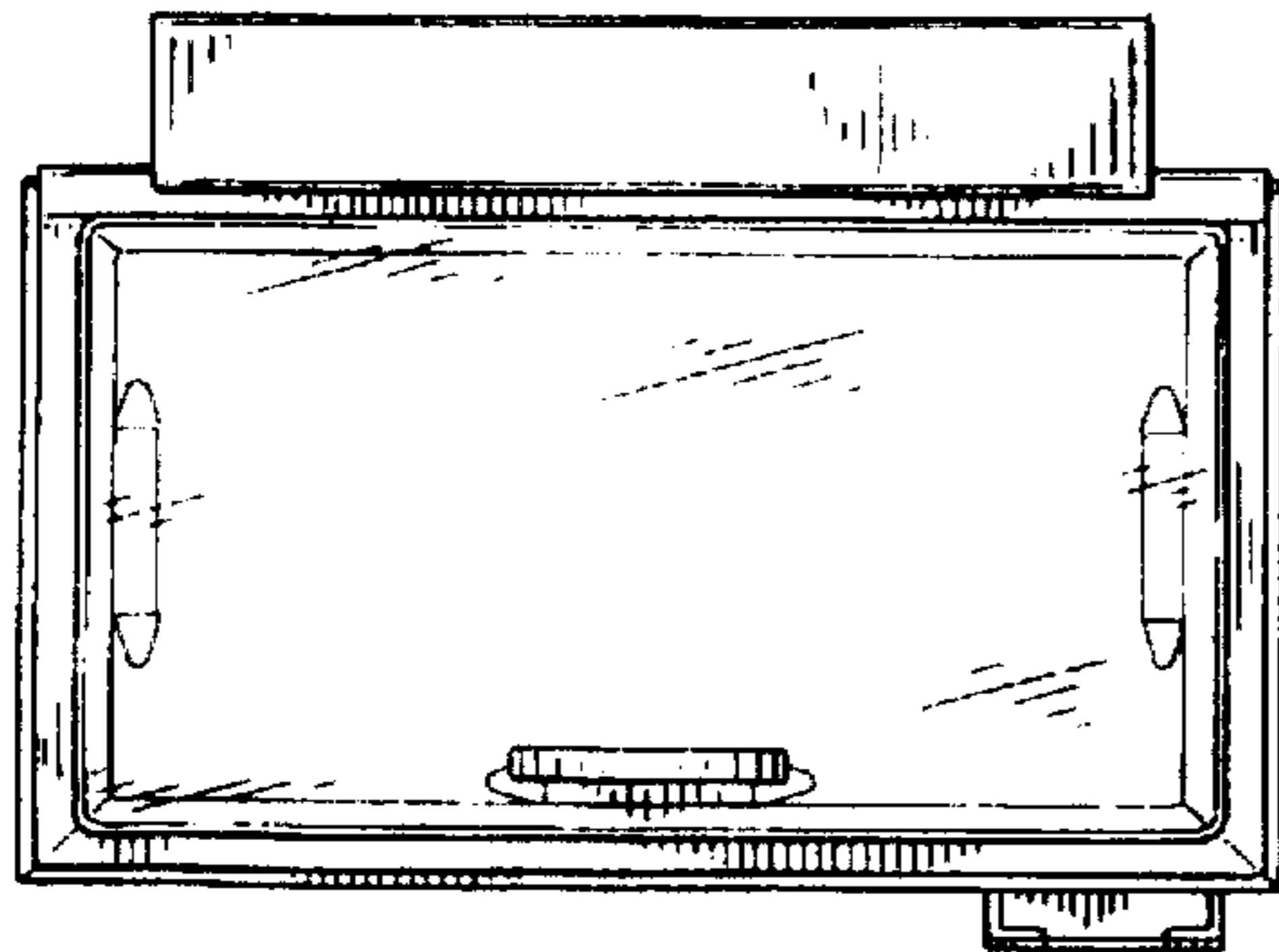


Fig.-6

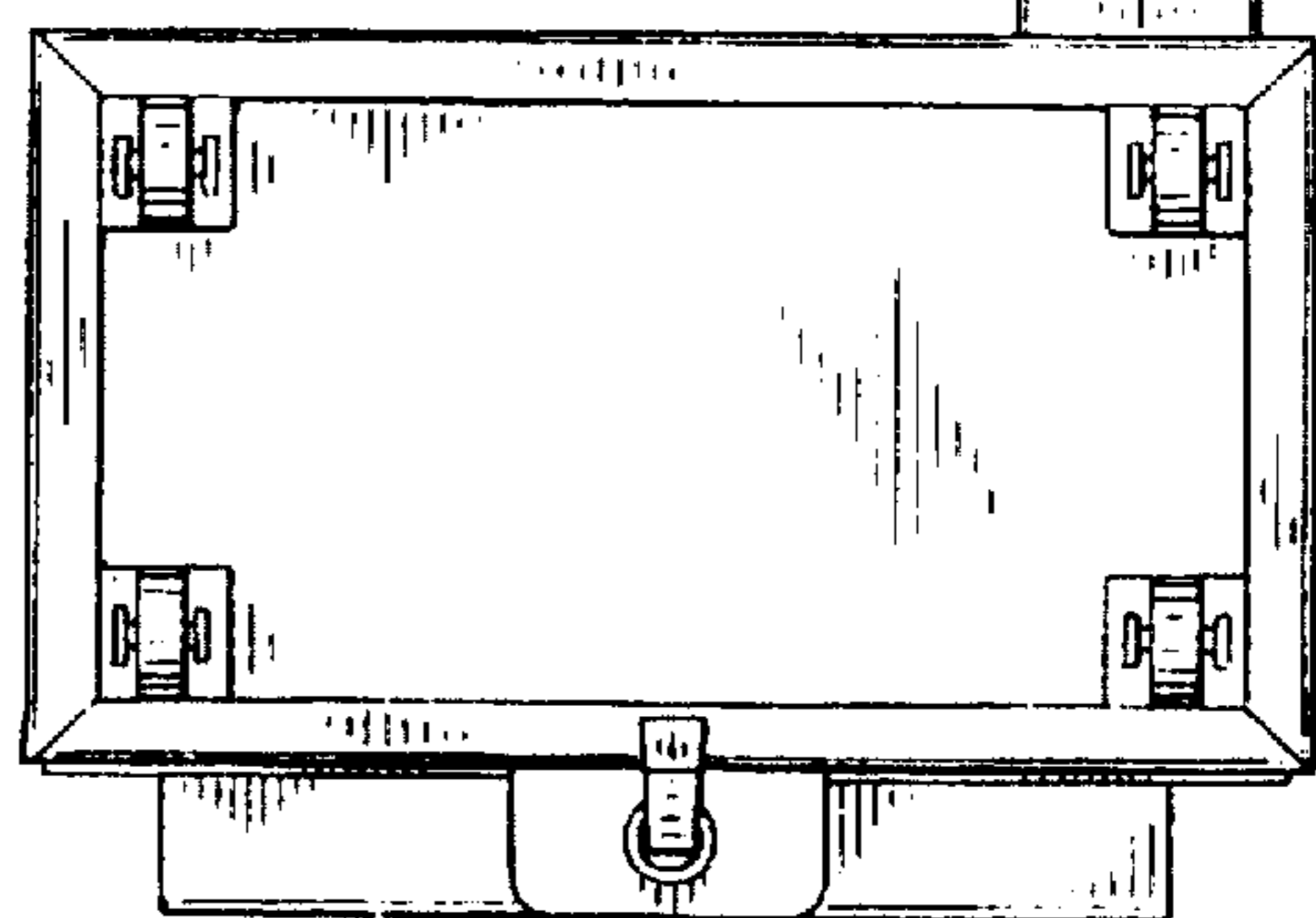


Fig.-7

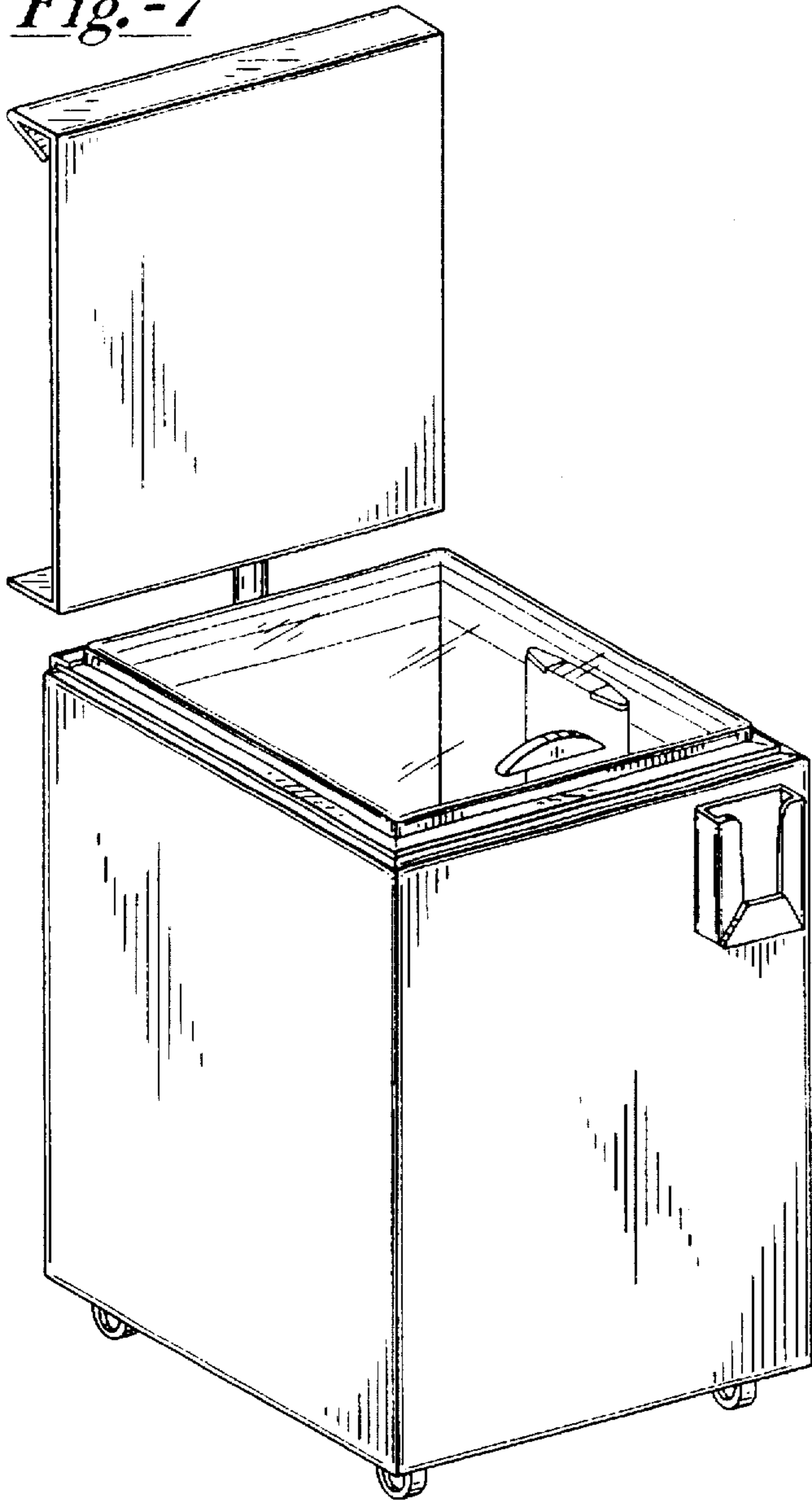


Fig.-8

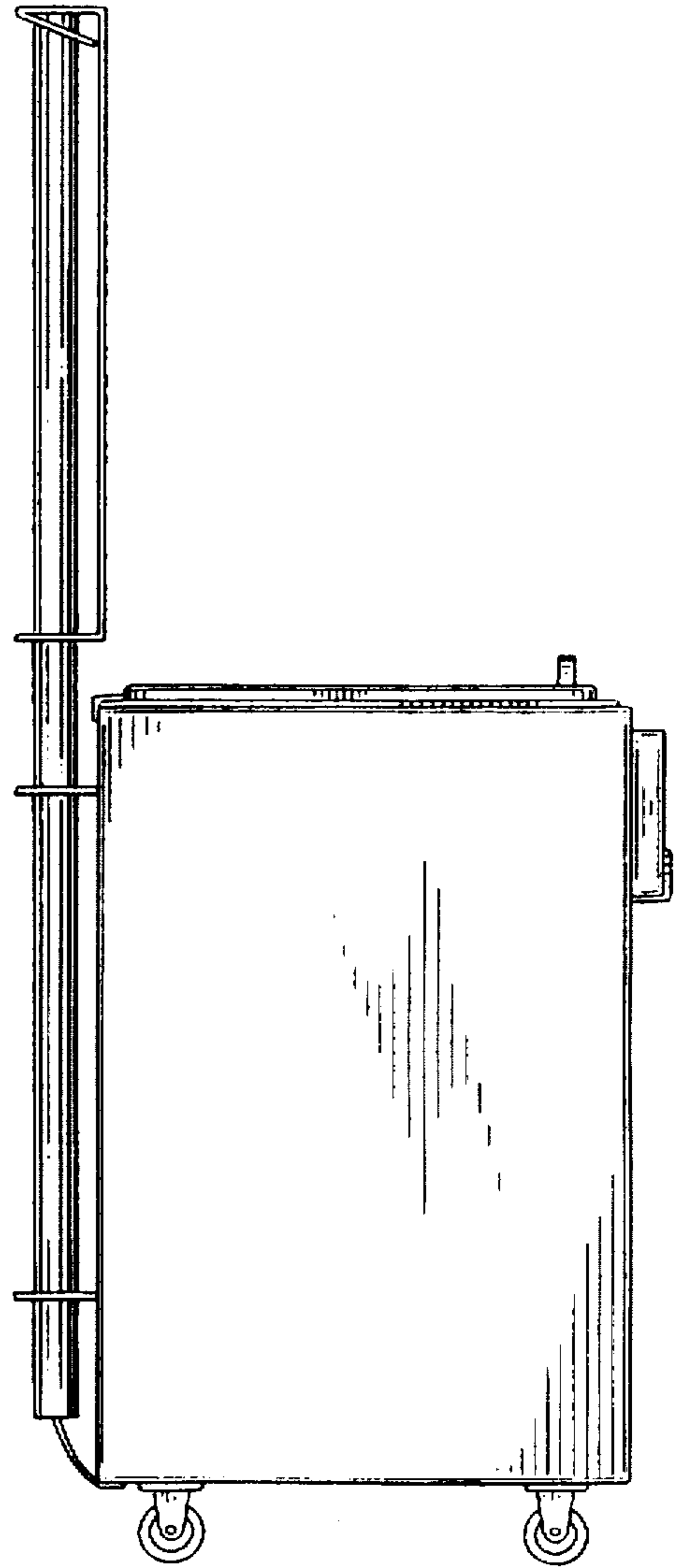


Fig.-9

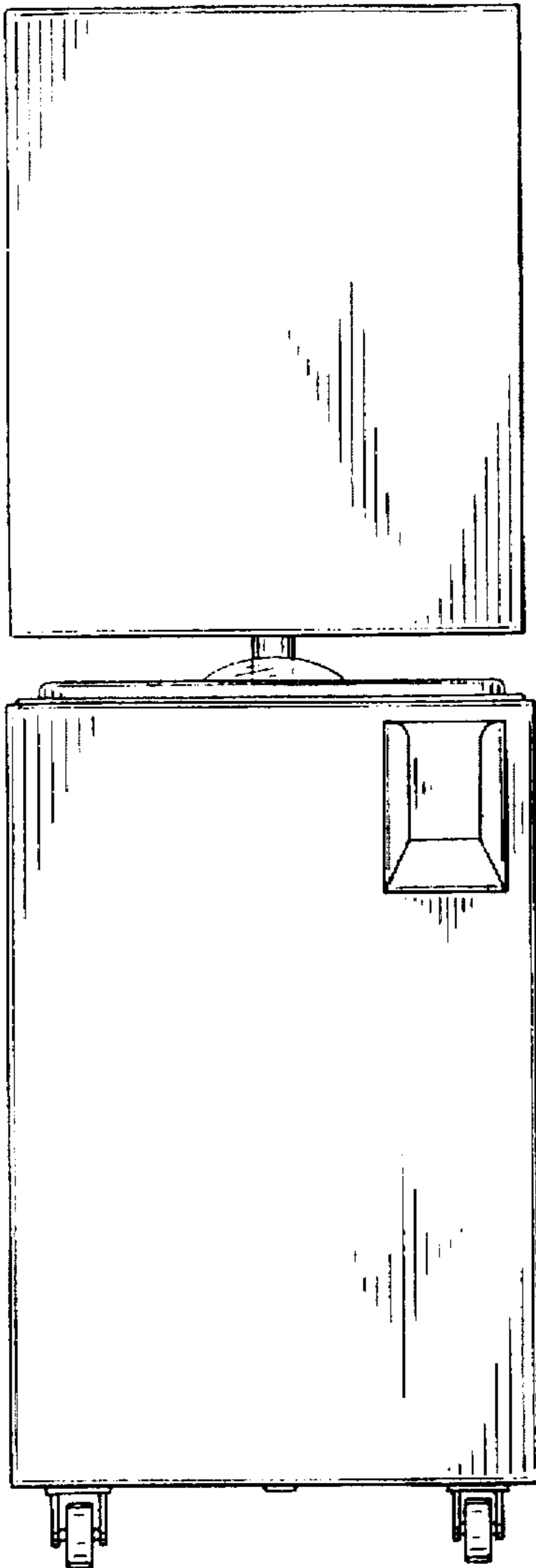


Fig.-10

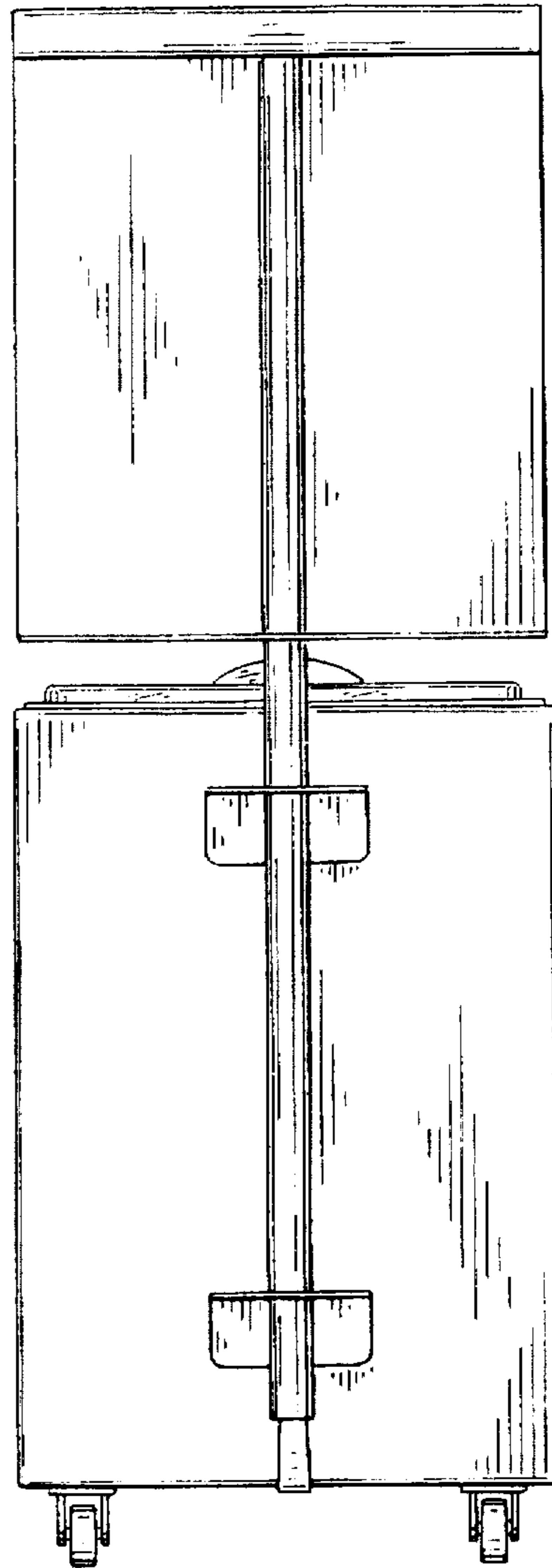


Fig.-11

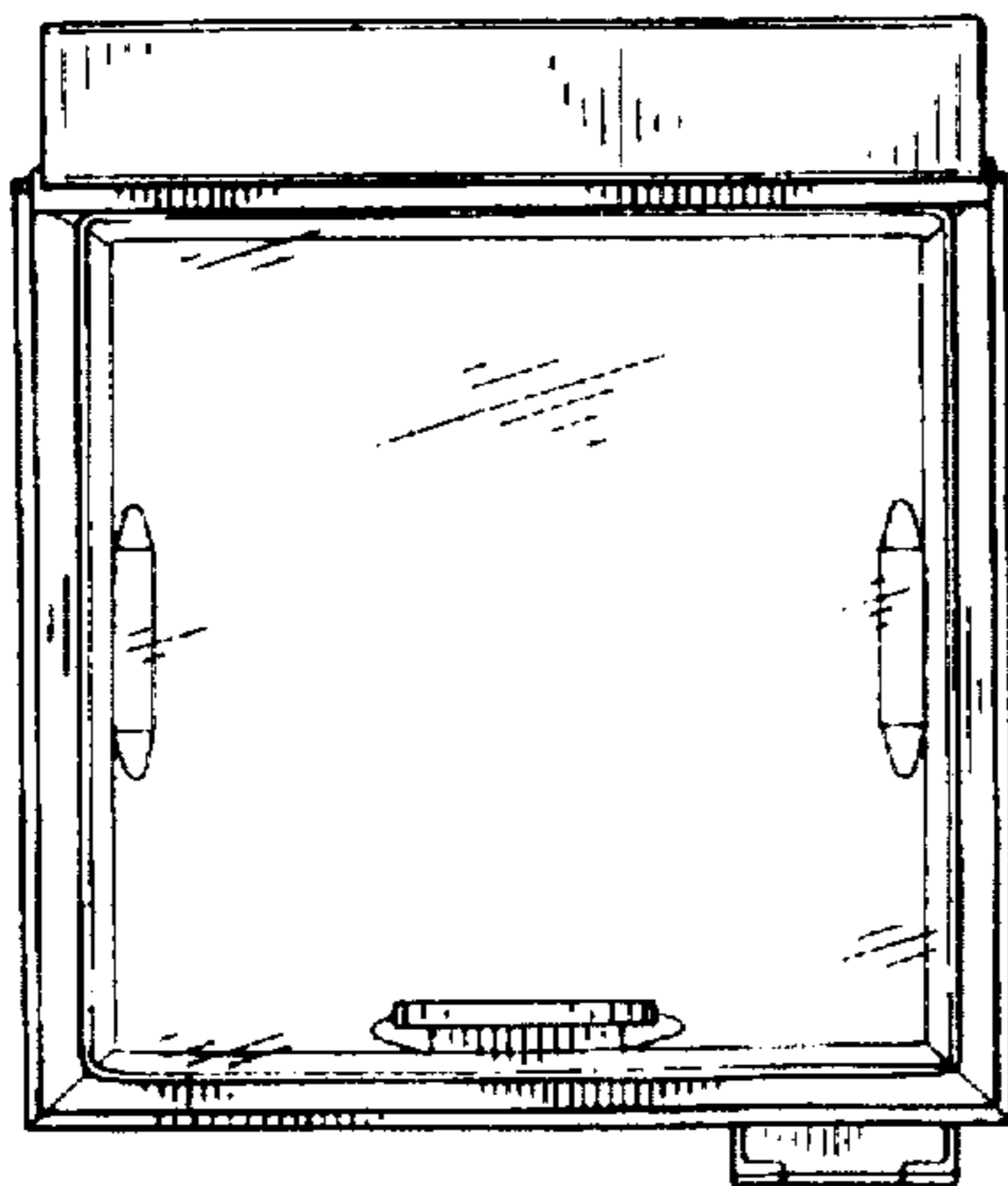


Fig.-12

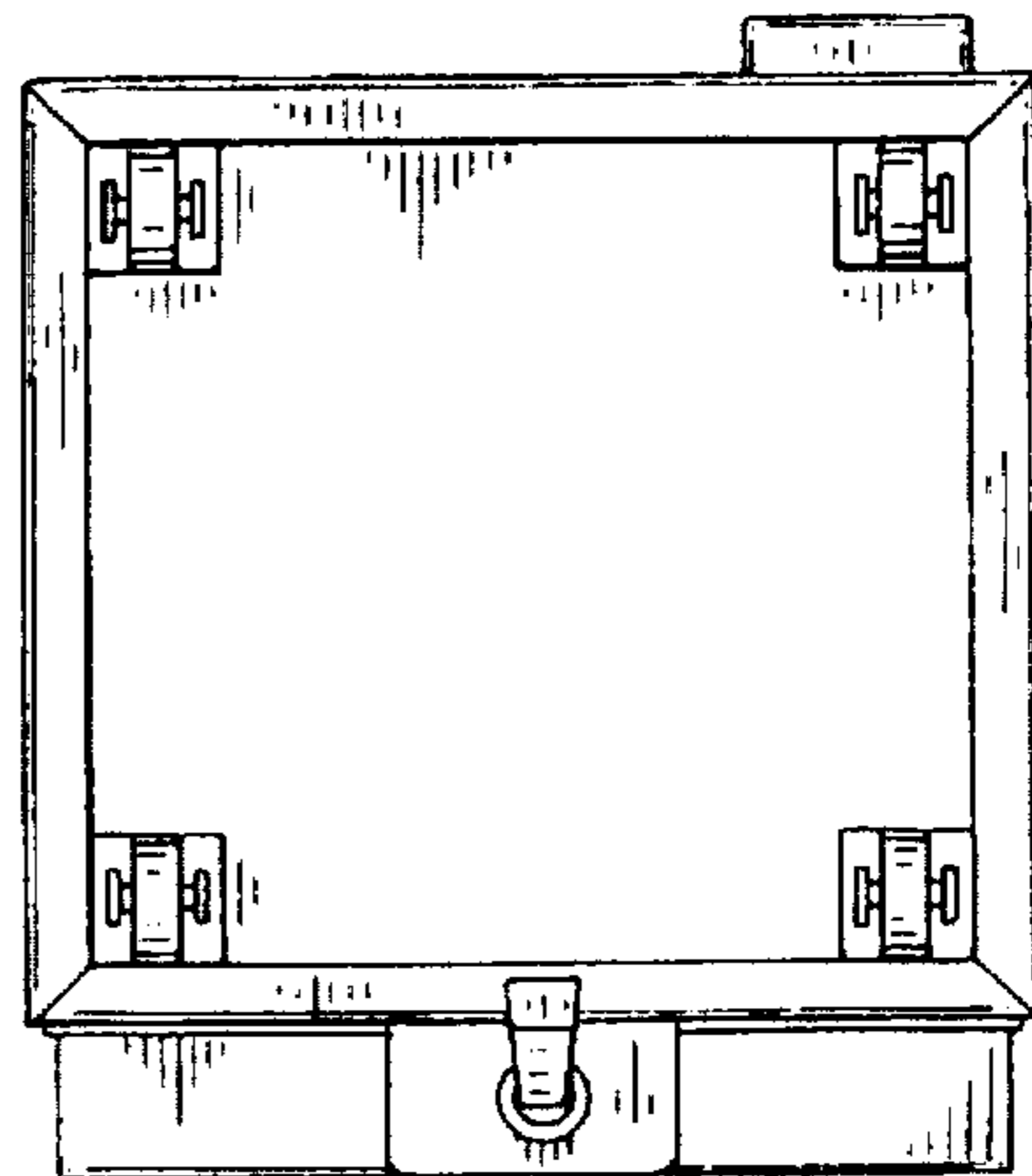


Fig.-13

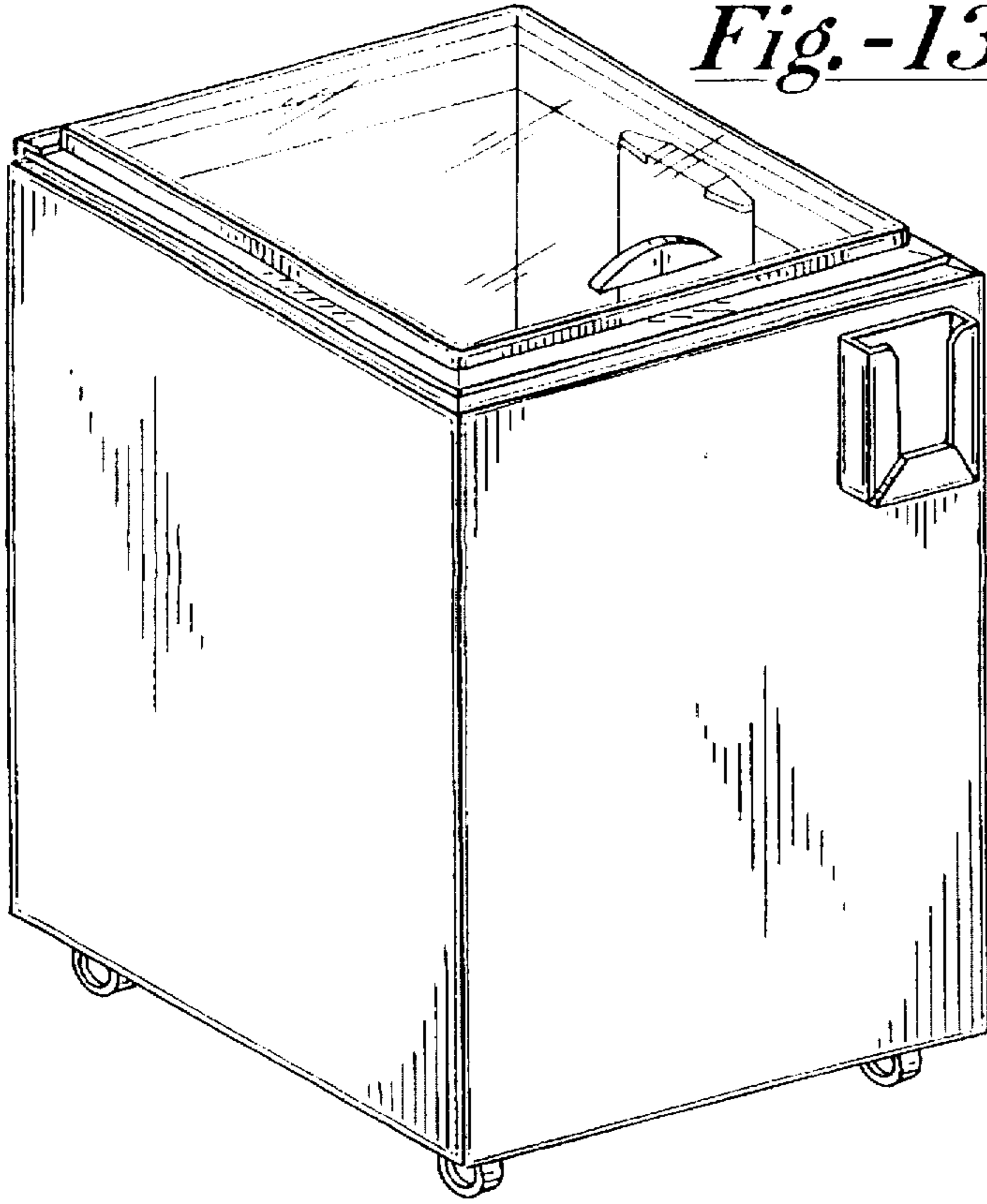
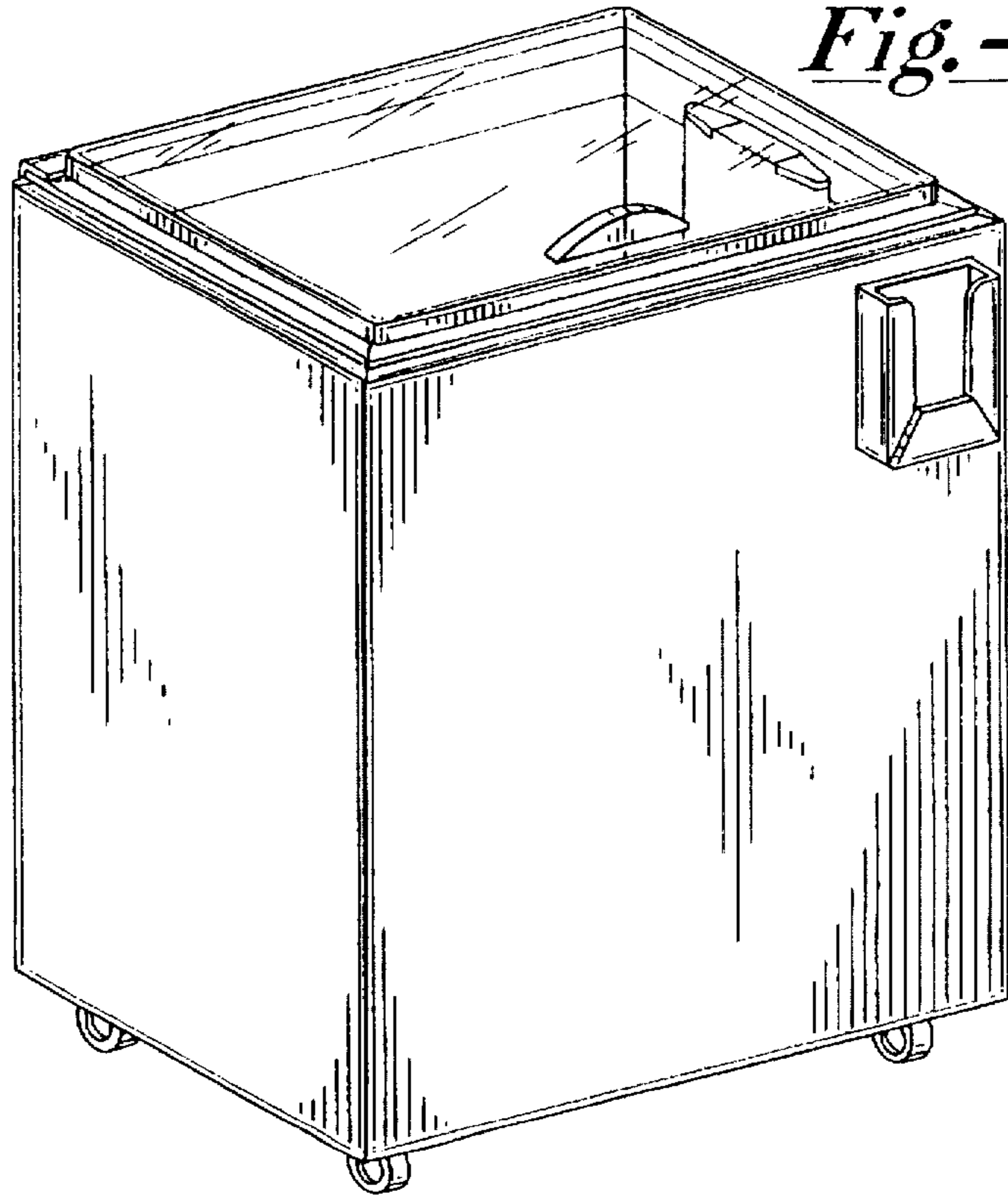


Fig.-14



UNITED STATES PATENT AND TRADEMARK OFFICE
CERTIFICATE OF CORRECTION

PATENT NO. : D-396,048
DATED : July 14, 1998
INVENTOR(S) : Thomas P. Meehan

It is certified that error appears in the above-identified patent and that said Letters Patent is hereby corrected as shown below:

In the drawings
Delete Figures 13 and 14 in the drawings as well as
delete the description of Figures 13 and 14.

Signed and Sealed this
Thirteenth Day of October 1998

Attest:



BRUCE LEHMAN

Attesting Officer

Commissioner of Patents and Trademarks