



US00D396046S

# United States Patent [19]

Scheel et al.

[11] Patent Number: Des. 396,046

[45] Date of Patent: \*\*Jul. 14, 1998

[54] STEER DEVICE FOR AN OUTBOARD MOTOR

Primary Examiner—Sandra L. Morris  
Assistant Examiner—Nanda Bondade

[76] Inventors: Allen Scheel, 534 Reiley Rd.; Steven Scheel, 300 Guadalupe River Dr., both of Seguin, Tex. 78155

[57] CLAIM

The ornamental design for a steer device for an outboard motor, as shown and described.

[\*\*] Term: 14 Years

DESCRIPTION

[21] Appl. No.: 61,497

FIG. 1 is a top plan view of a steer device for an outboard motor showing our new design;

[22] Filed: Oct. 24, 1996

FIG. 2 is left side elevational view thereof;

[51] LOC (6) Cl. .... 15-01

FIG. 3 is a right side elevational view thereof;

[52] U.S. Cl. .... D15/4

FIG. 4 is a bottom plan view thereof;

[58] Field of Search ..... D15/1-5; 123/495; 440/51-53, 62, 63, 84-87, 900

FIG. 5 is a front elevational view thereof;

FIG. 6 is a rear elevational view thereof;

FIG. 7 is a top, left and rear perspective view thereof; and,

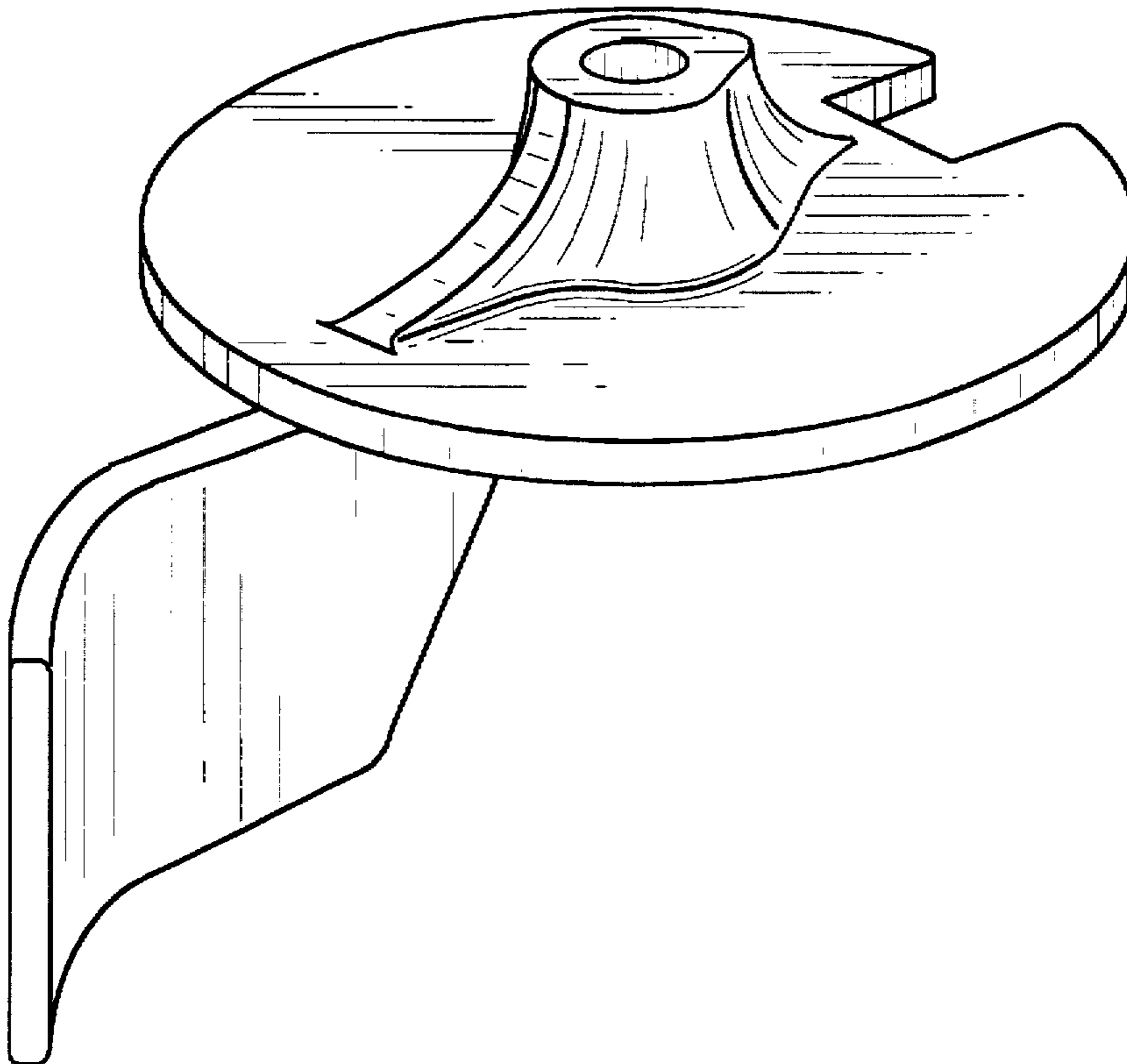
FIG. 8 is an environmental perspective view thereof, the broken line showing of the lower unit of an outboard motor is for illustrative purposes only and forms no part of the claimed design.

[56] References Cited

U.S. PATENT DOCUMENTS

D. 263,301	3/1982	McEvoy	.....	D15/4
D. 359,290	6/1995	Takeuchi	.....	D15/1
4,496,326	1/1985	Boda	.....	440/62

1 Claim, 4 Drawing Sheets



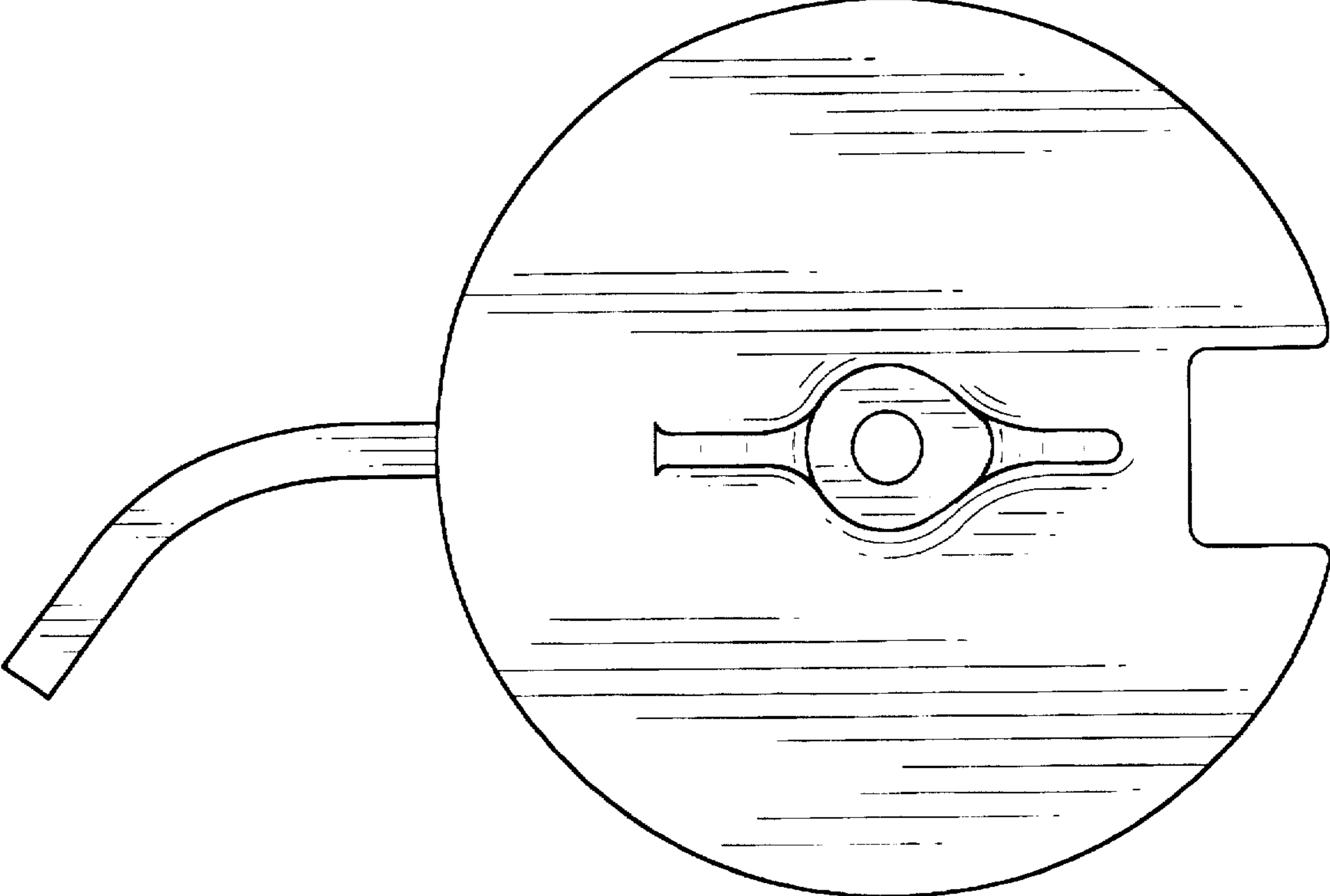


Fig. 1

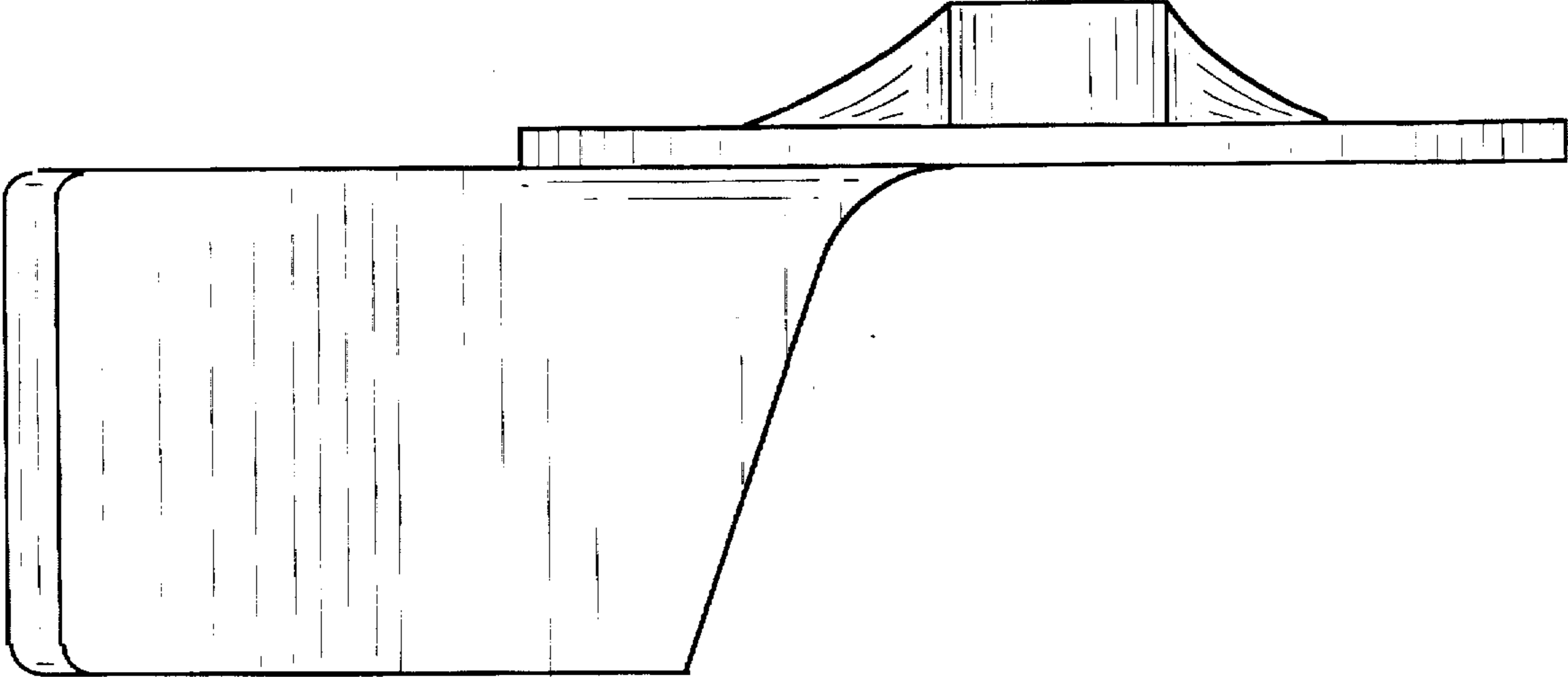


Fig. 2

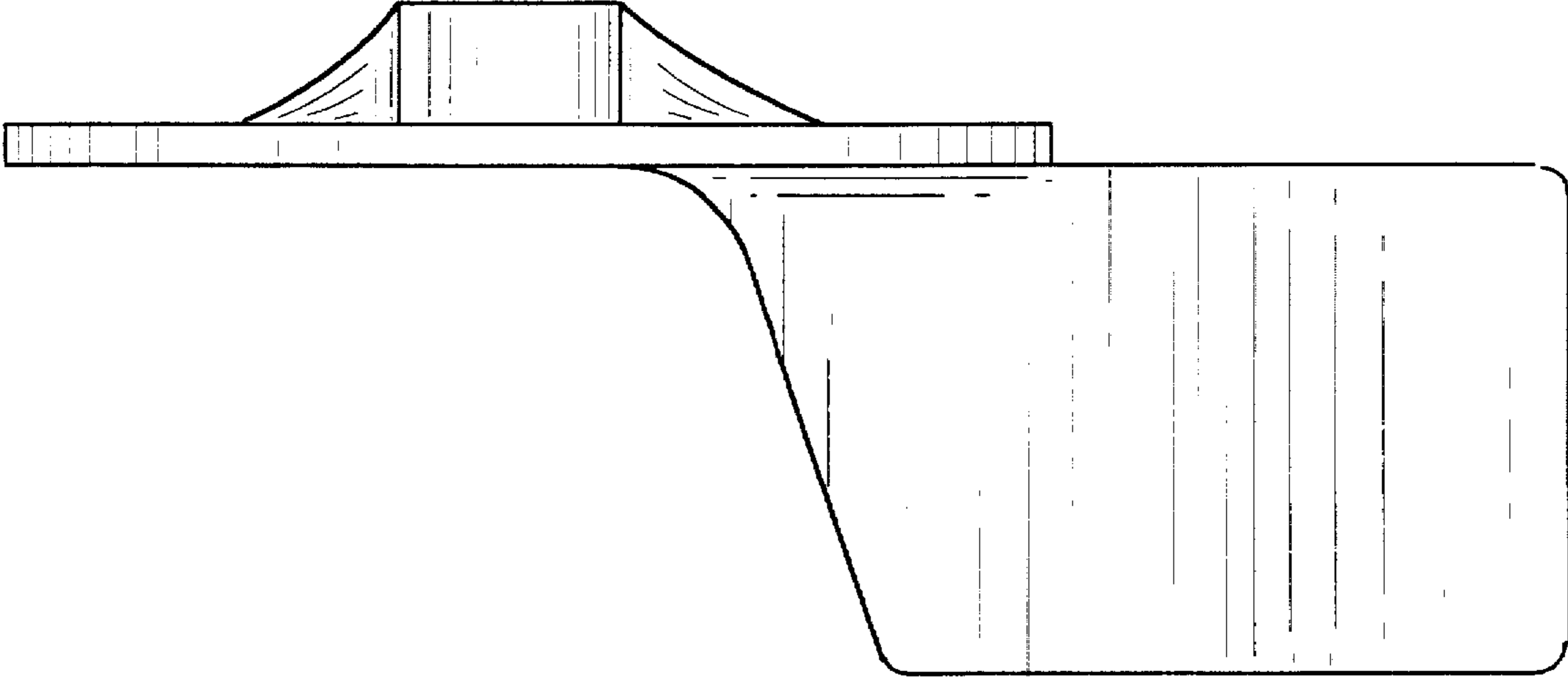


Fig. 3

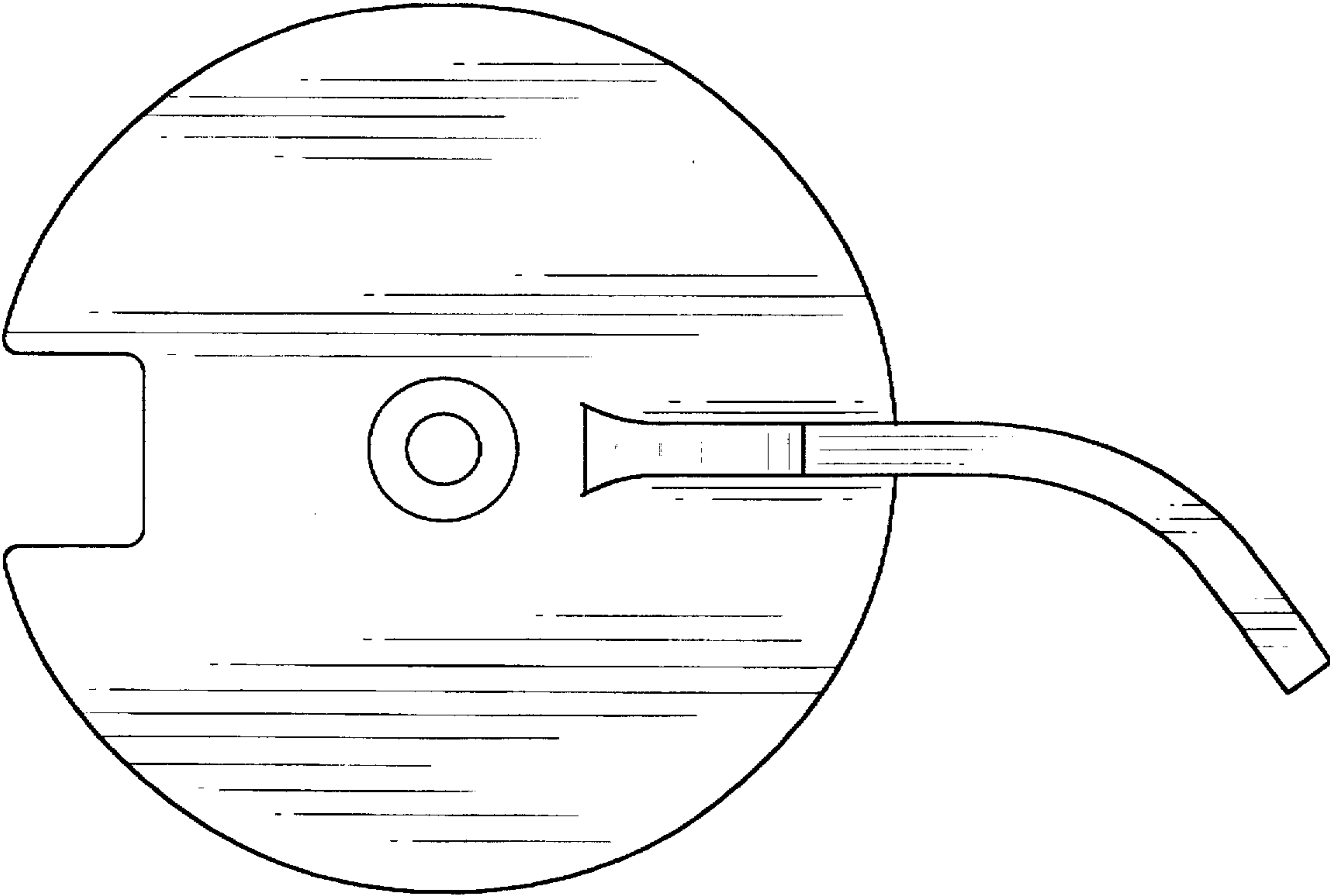


Fig. 4

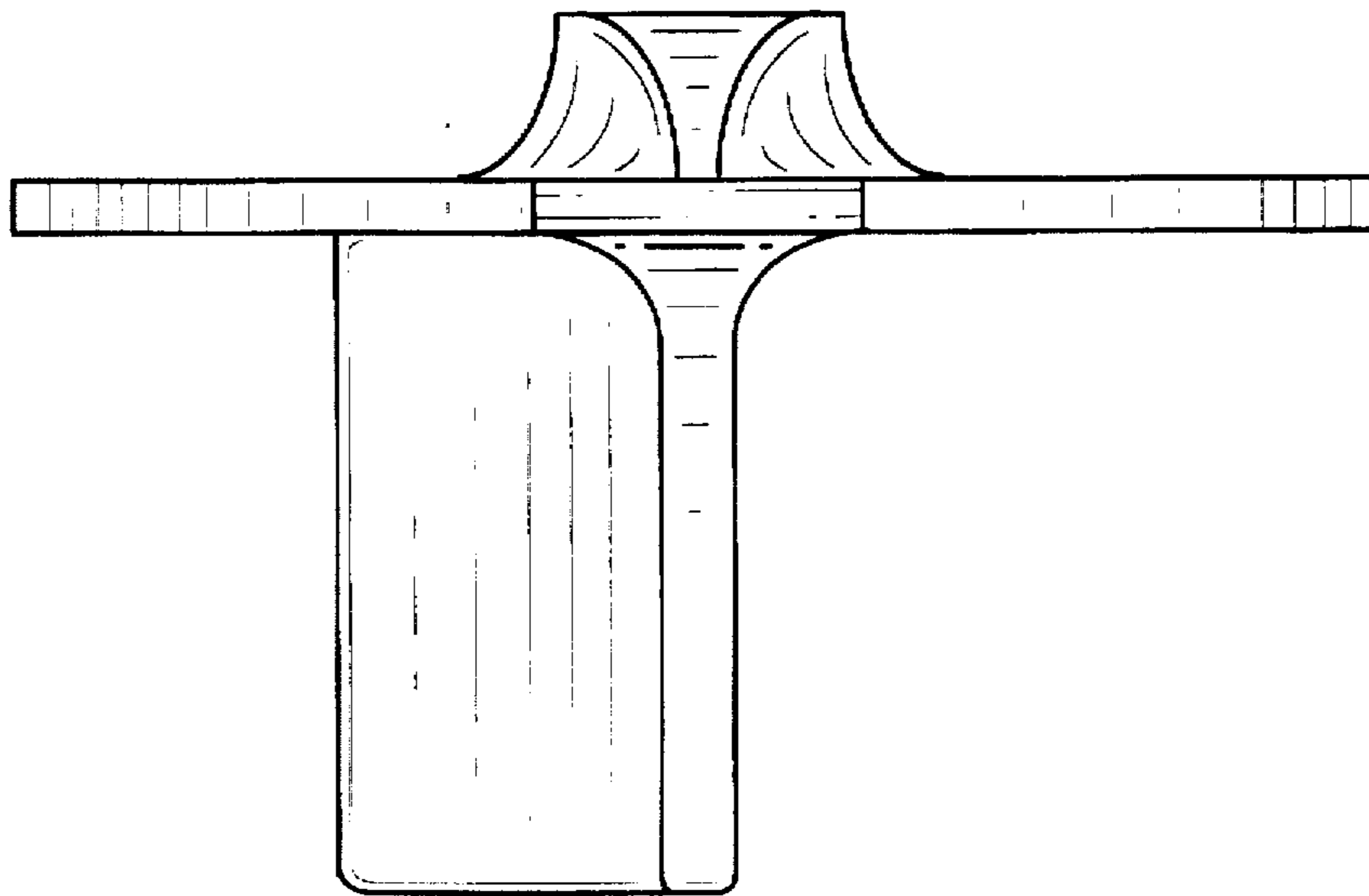


Fig. 5

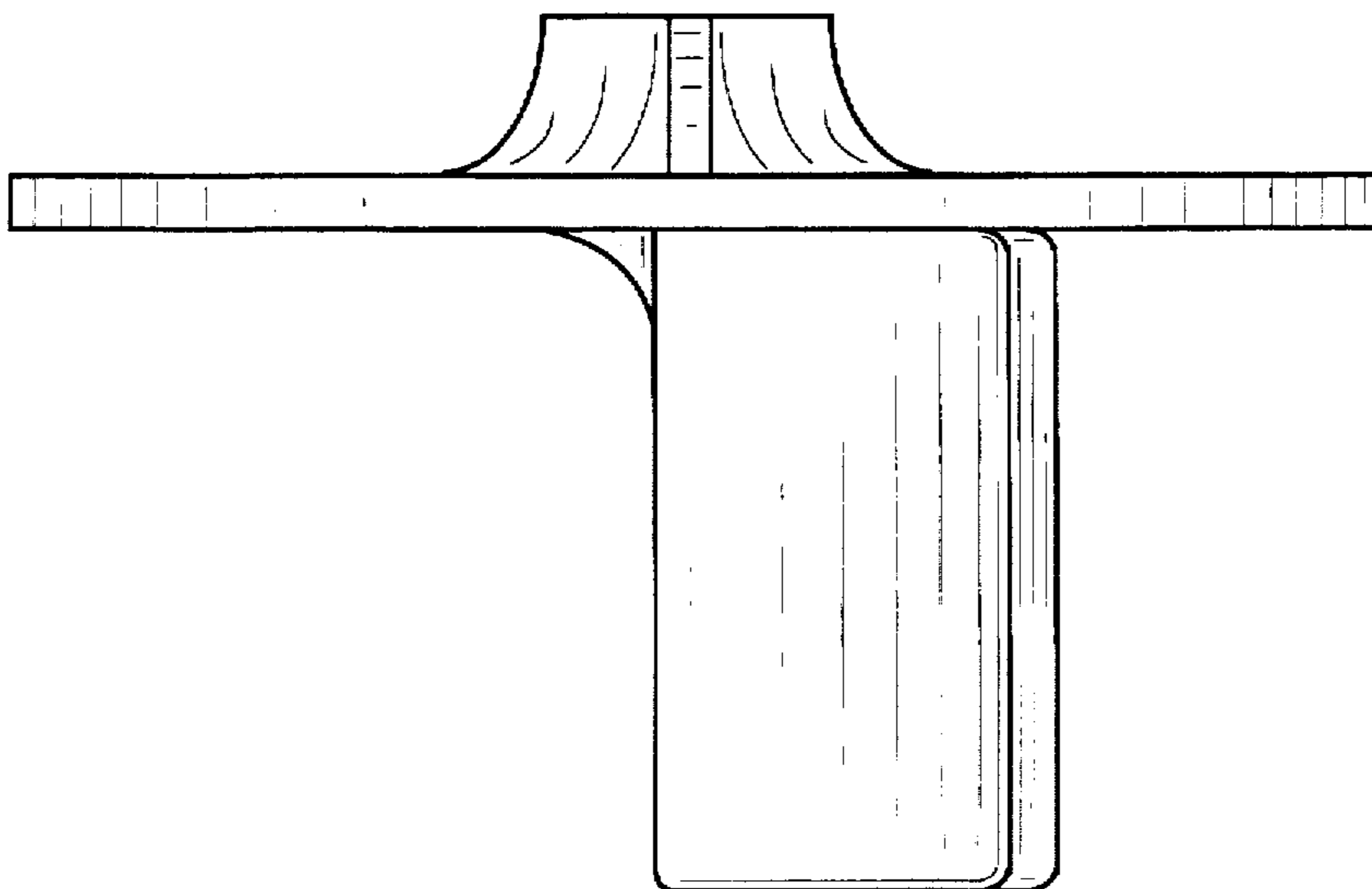


Fig. 6

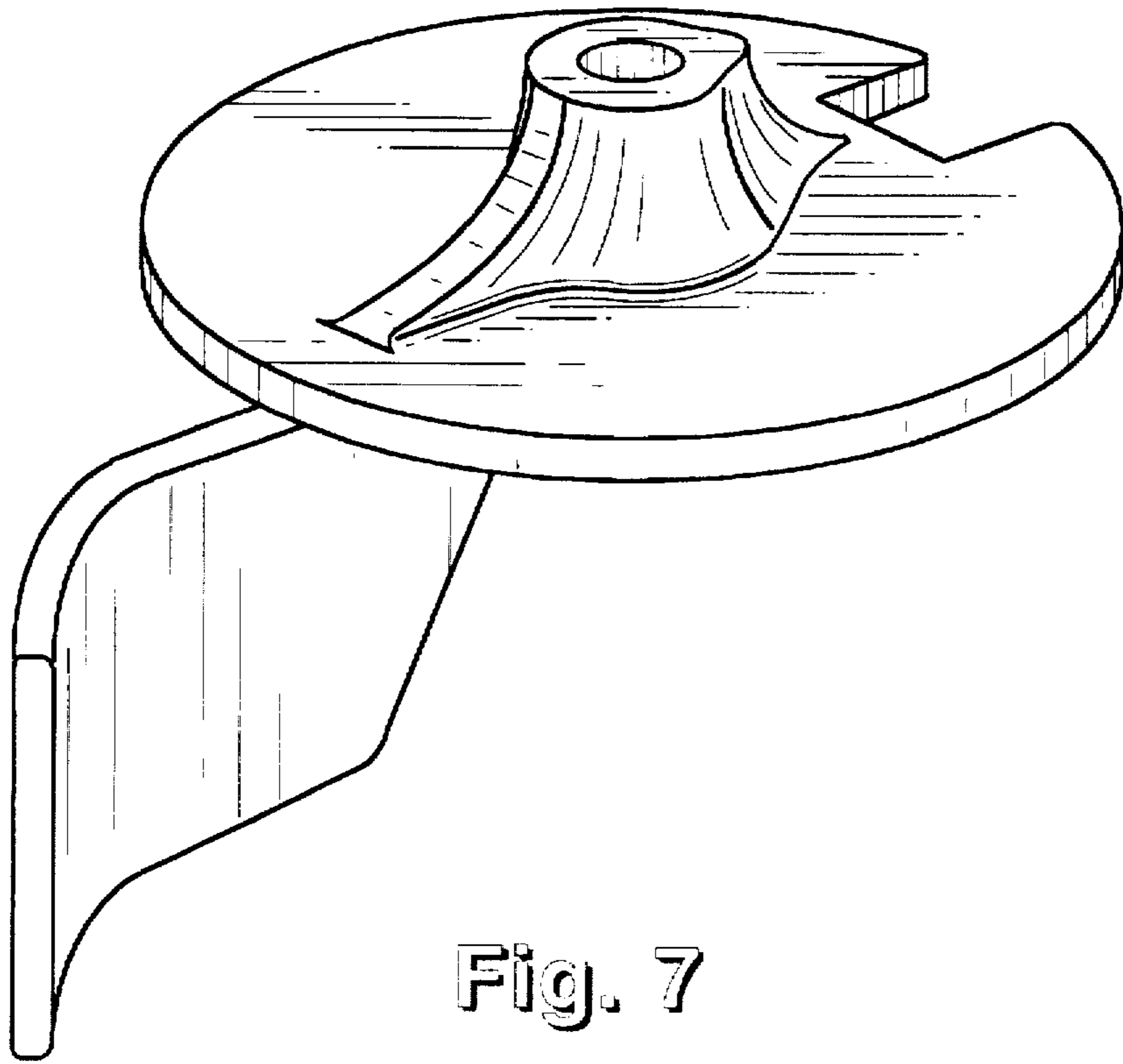


Fig. 7

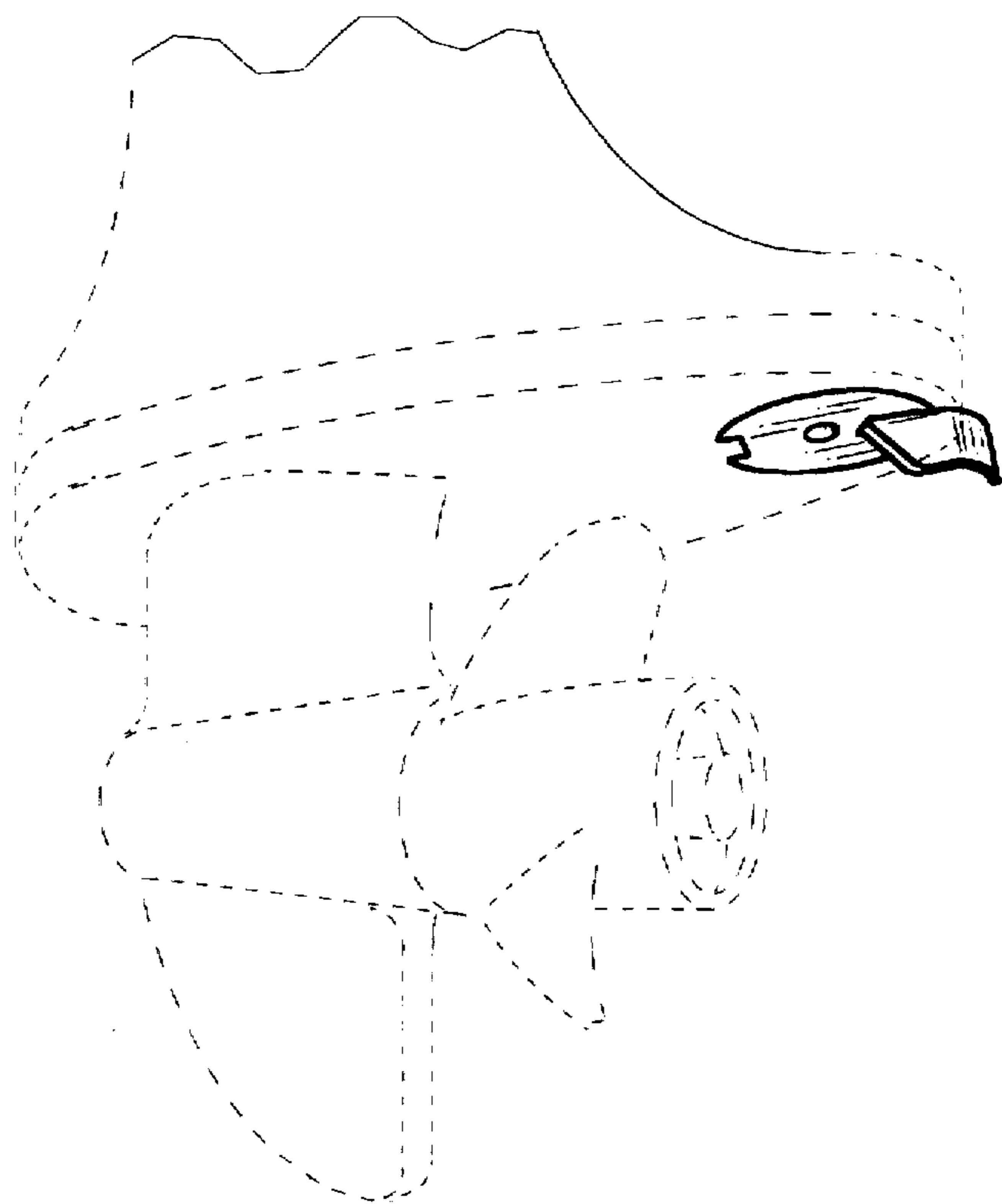


Fig. 8