



US00D396043S

# United States Patent [19]

Liao

[11] Patent Number: **Des. 396,043**

[45] Date of Patent: **\*\*Jul. 14, 1998**

[54] **MODEM**

[76] Inventor: **Lien-Hsin Liao**, 4F., No. 539-2,  
Chung-Cheng Rd., Hsin-Tien City,  
Taipei, Taiwan

[\*\*] Term: **14 Years**

[21] Appl. No.: **67,105**

[22] Filed: **Feb. 27, 1997**

[51] **LOC (6) Cl.** ..... **14-03**

[52] **U.S. Cl.** ..... **D14/242; D14/107**

[58] **Field of Search** ..... D14/100, 107,  
D14/114, 240, 242, 149, 217, 299; D13/147,  
162, 164, 184; 375/222, 220, 223, 225;  
379/419, 420, 428, 440, 406, 93.01, 93.28;  
455/9

[56] **References Cited**

**U.S. PATENT DOCUMENTS**

- D. 299,651 1/1989 Preussner ..... D13/184
- D. 337,770 7/1993 Johnson ..... D14/240

- D. 351,601 10/1994 Rak ..... D14/242
- D. 363,085 10/1995 Cameron ..... D14/100 X
- D. 365,348 12/1995 Card et al. .... D14/240
- D. 365,808 1/1996 Alden et al. .... D14/240 X
- D. 366,455 1/1996 Cheng ..... D13/147
- D. 369,350 4/1996 Takahashi ..... D14/100

*Primary Examiner*—Jeffrey Asch  
*Attorney, Agent, or Firm*—Bacon & Thomas

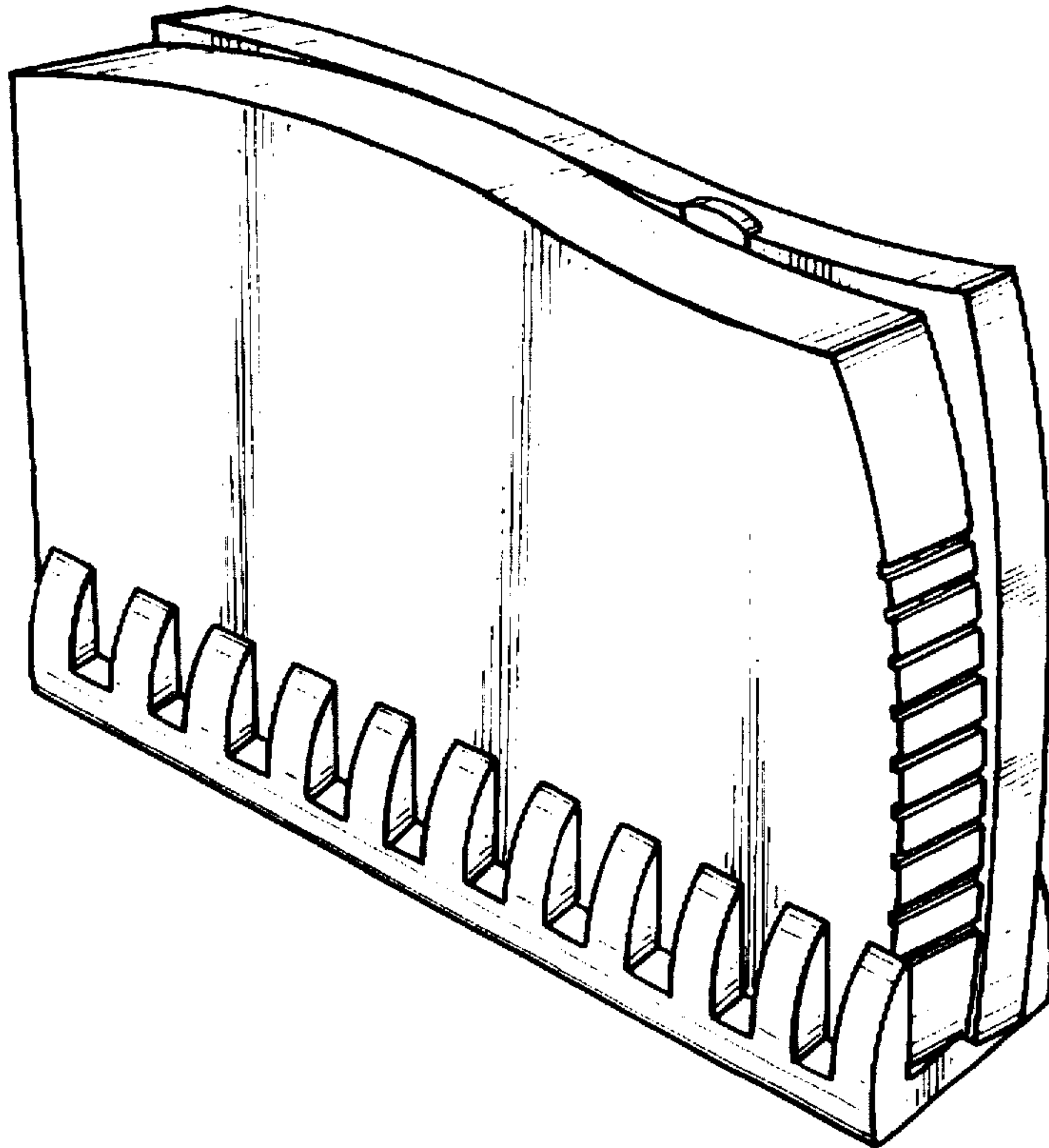
[57] **CLAIM**

The ornamental design for a modem, as shown.

**DESCRIPTION**

FIG. 1 is a perspective view of a modem showing my new design;  
 FIG. 2 is a front view thereof;  
 FIG. 3 is a rear view thereof;  
 FIG. 4 is a left view thereof;  
 FIG. 5 is a right view thereof; and  
 FIG. 6 is a top view thereof; and  
 FIG. 7 is a bottom view thereof.

**1 Claim, 3 Drawing Sheets**



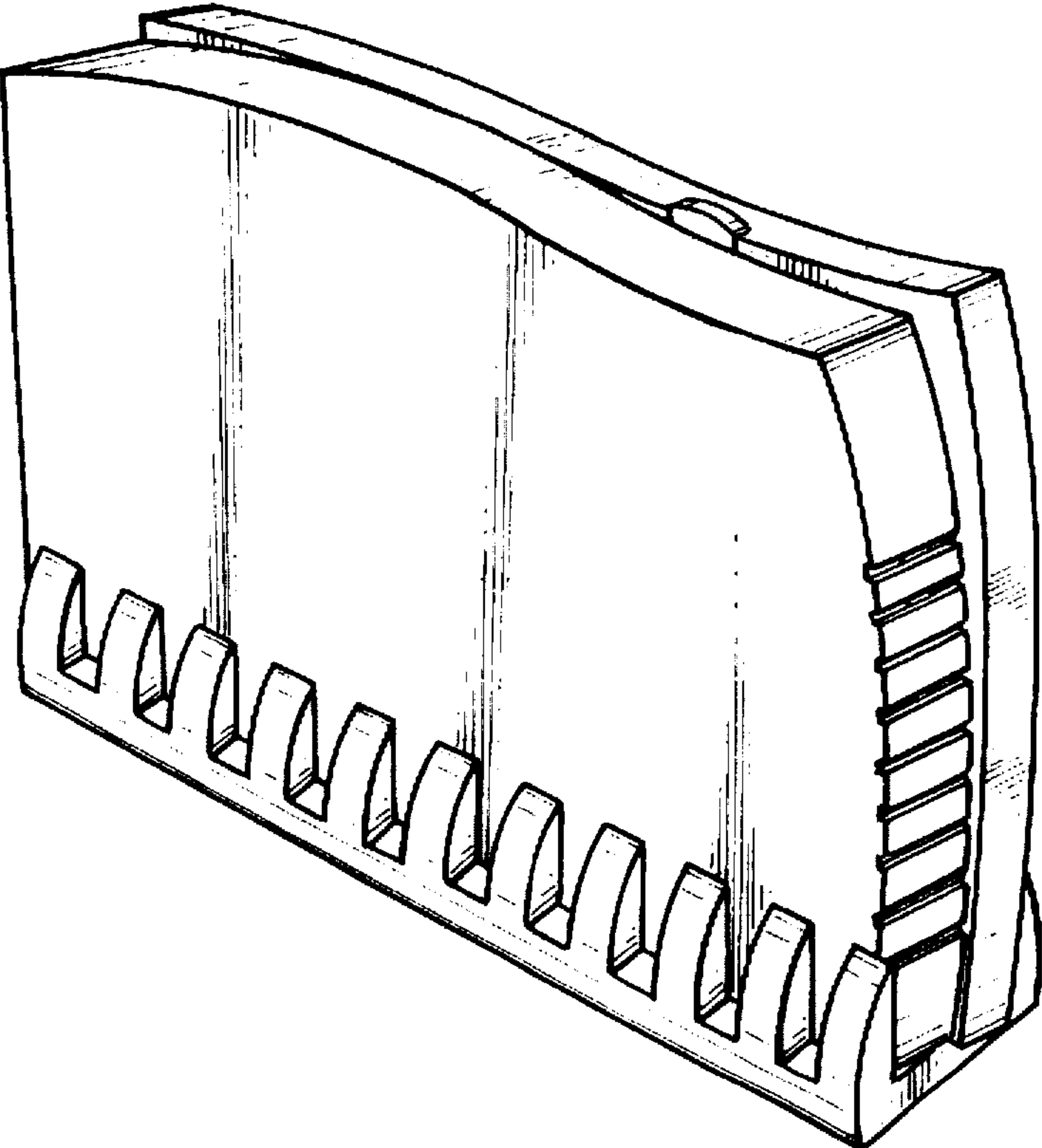


FIG. 1

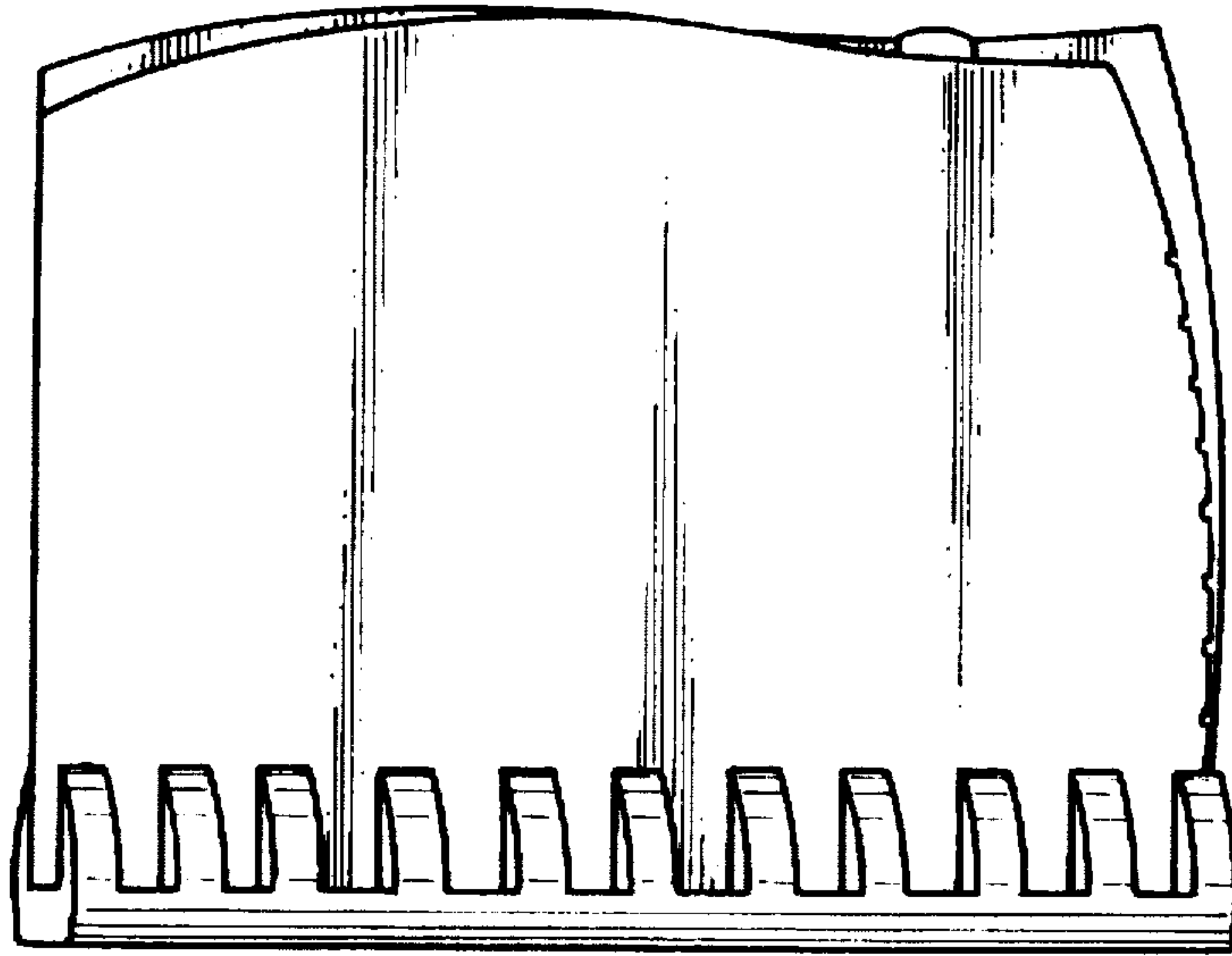


FIG. 2

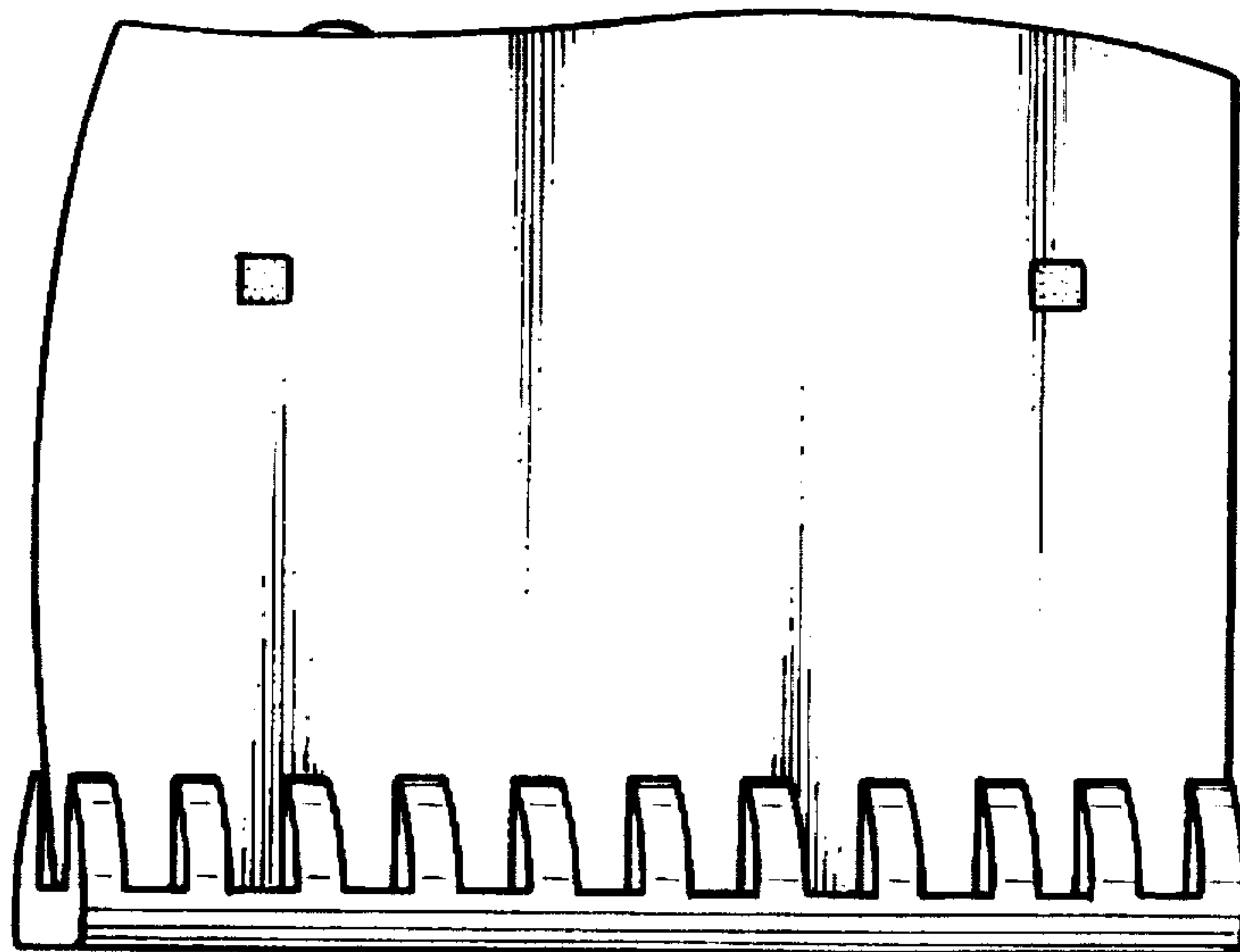


FIG. 3

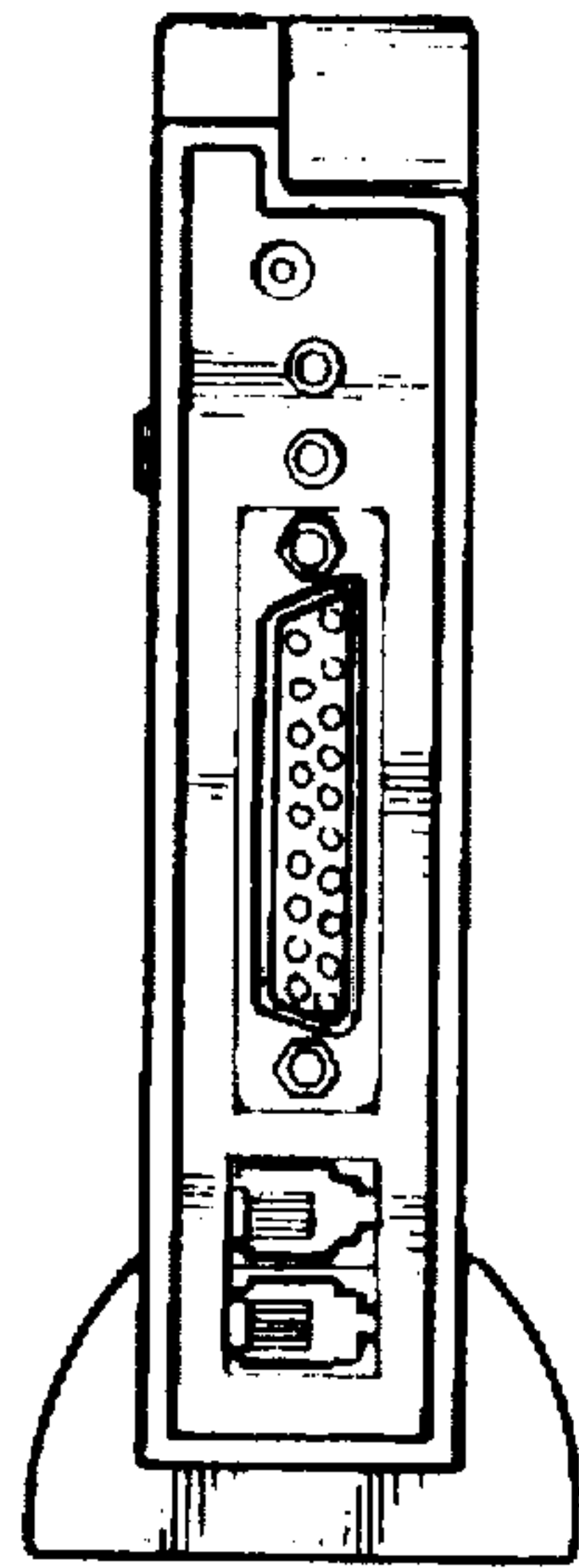


FIG. 4

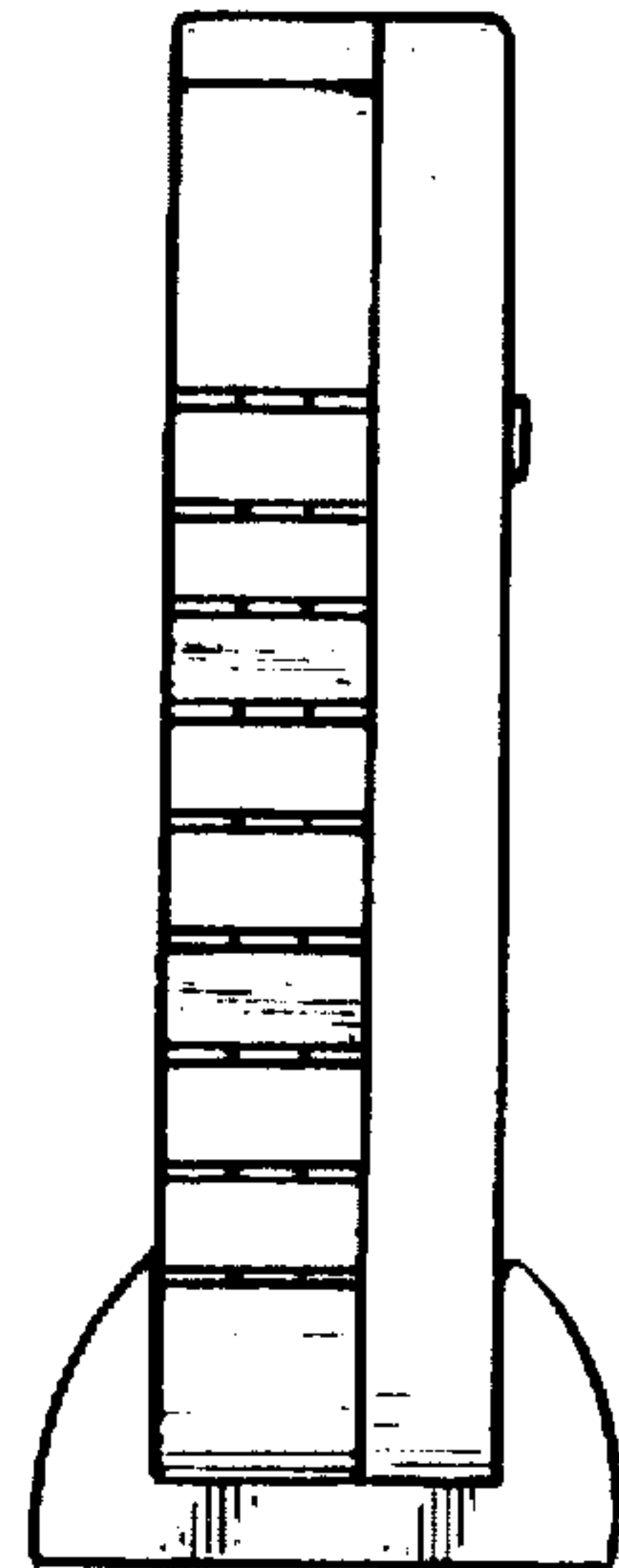


FIG. 5

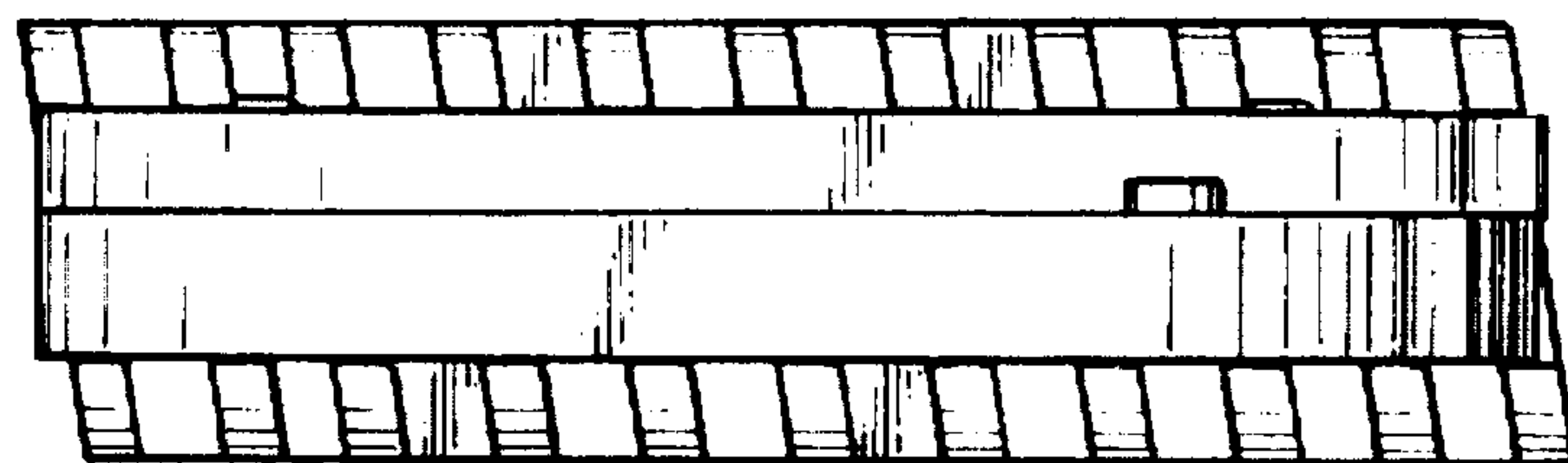


FIG. 6

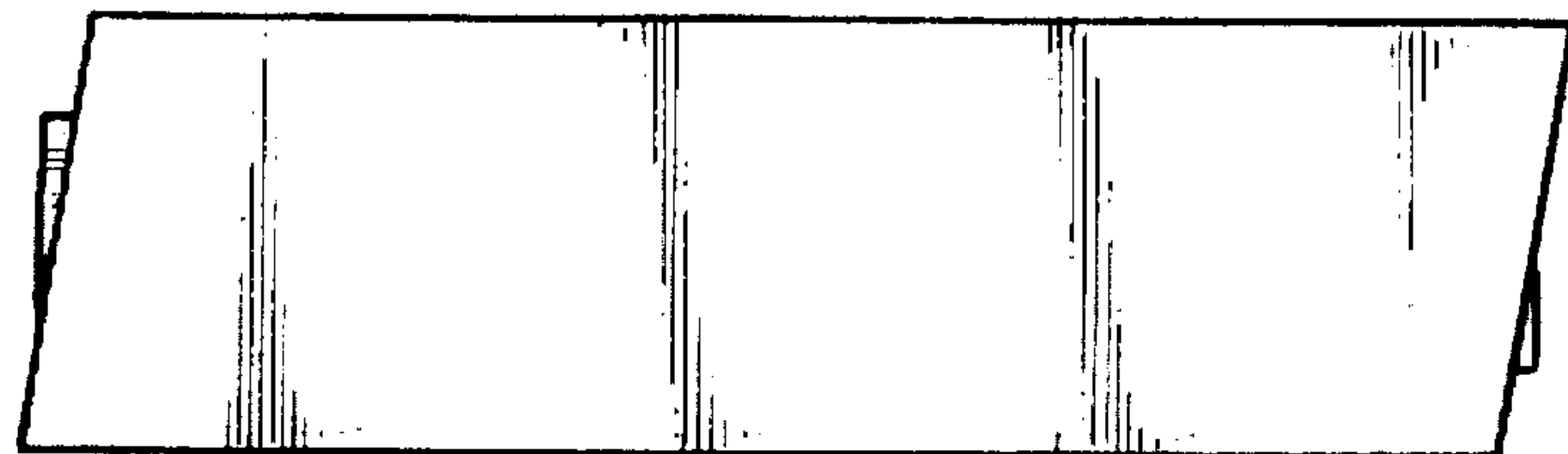


FIG. 7