



US00D396042S

United States Patent [19]

Rosen

[11] Patent Number: Des. 396,042

[45] Date of Patent: **Jul. 14, 1998

[54] HANDLE GRIP

4,843,477 6/1989 Mizutani et al. 348/837

[75] Inventor: John B. Rosen, Eugene, Oreg.

Primary Examiner—Sandra L. Morris

Assistant Examiner—Richelle Shelton

[73] Assignee: Advanced Multimedia Products Corporation, Eugene, Oreg.

Attorney, Agent, or Firm—Kolisch, Hartwell, Dickinson, McCormack & Heuser

[**] Term: 14 Years

[57] CLAIM

[21] Appl. No.: 68,014

The ornamental design for a handle grip, as shown and described.

[22] Filed: Mar. 14, 1997

DESCRIPTION

[51] LOC (6) Cl. 14-03

[52] U.S. Cl. D14/239; D8/320; D14/114

[58] Field of Search D14/114, 132, D14/134, 239; D12/345, 415, 418, 421; D24/158; 248/917-924; 297/188.16, 188.17, 217.3; 312/7.2; 348/825, 827, 836-838; D8/8, DIG. 1, DIG. 9, DIG. 6, 320

FIG. 1 is an isometric view of a handle grip showing my invention, the articulable monitor mount shown in broken lines is for illustrative purposes only and forms no part of the claimed design;

FIG. 2 is an isometric view of the handle grip shown in FIG. 1, viewed from the left front of the handle grip;

FIG. 3 is a top view of the handle grip shown in FIG. 1;

FIG. 4 is a bottom view thereof;

FIG. 5 is a rear view thereof;

FIG. 6 is a left side view thereof;

FIG. 7 is a front view thereof; and,

FIG. 8 is a right side view thereof.

[56] References Cited

U.S. PATENT DOCUMENTS

D. 118,464	1/1940	Westgaard	D8/DIG. 1
D. 250,630	12/1978	Allegretti	D8/8 X
1,095,851	5/1914	Grafton	D8/DIG. 1

1 Claim, 1 Drawing Sheet

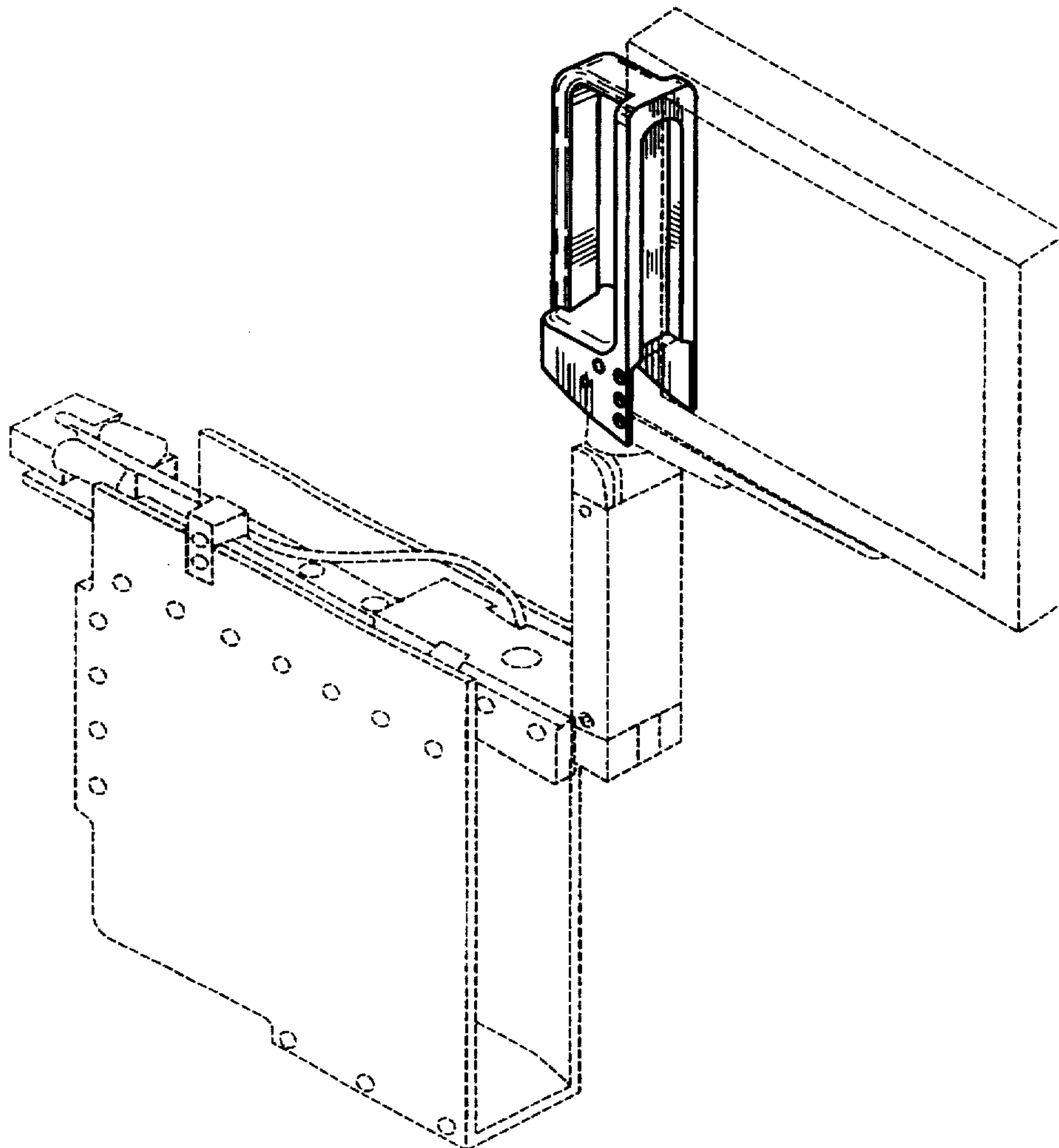


Fig. 1

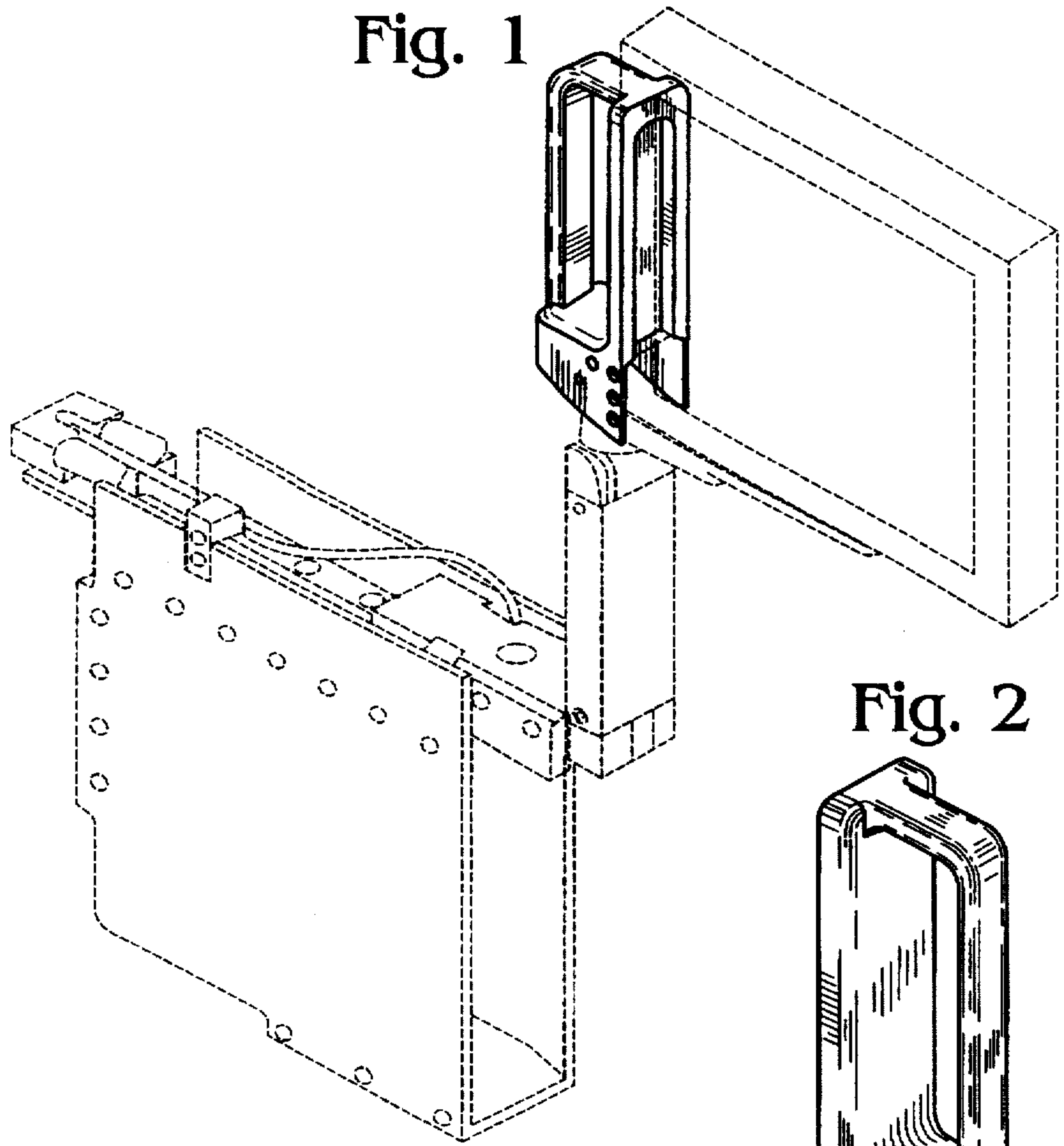


Fig. 2

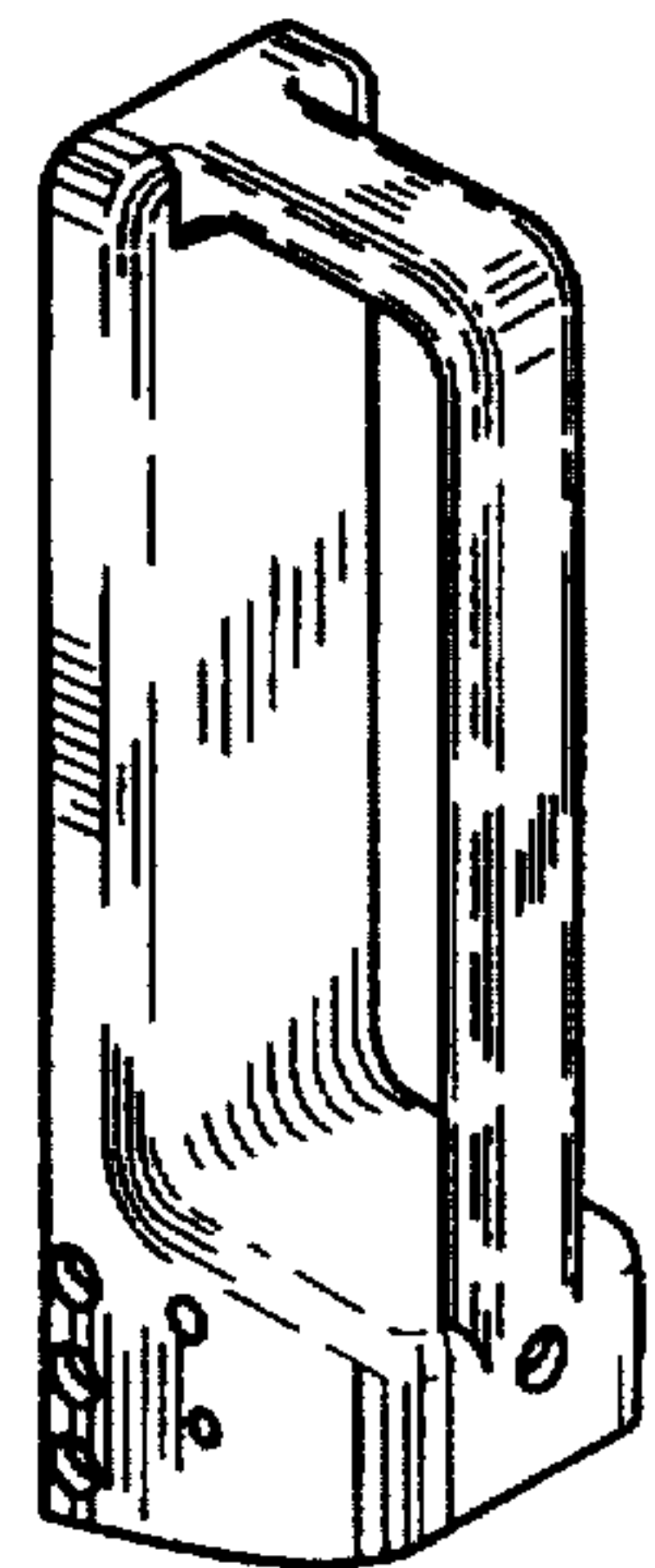


Fig. 3

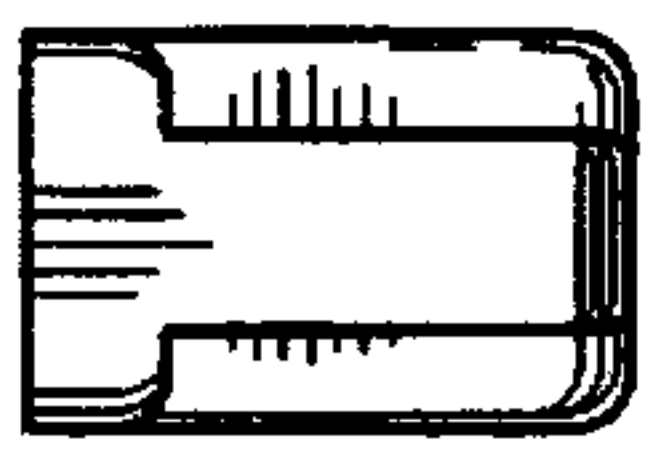


Fig. 4

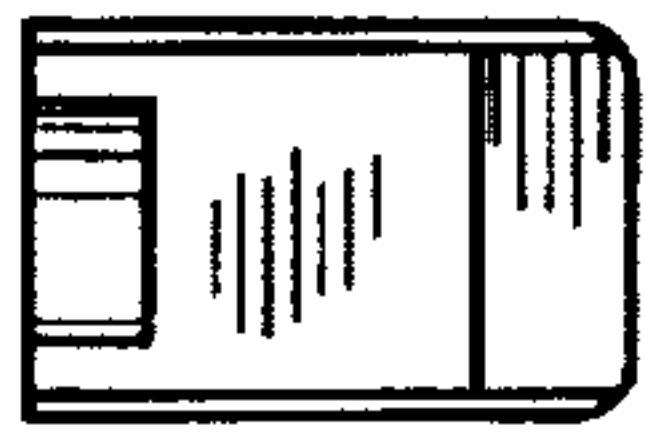


Fig. 5

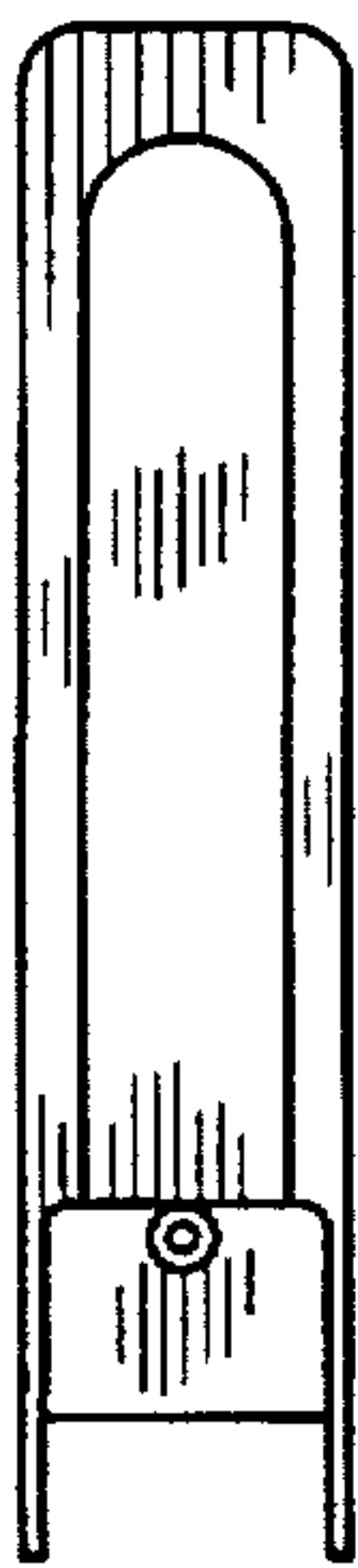


Fig. 6

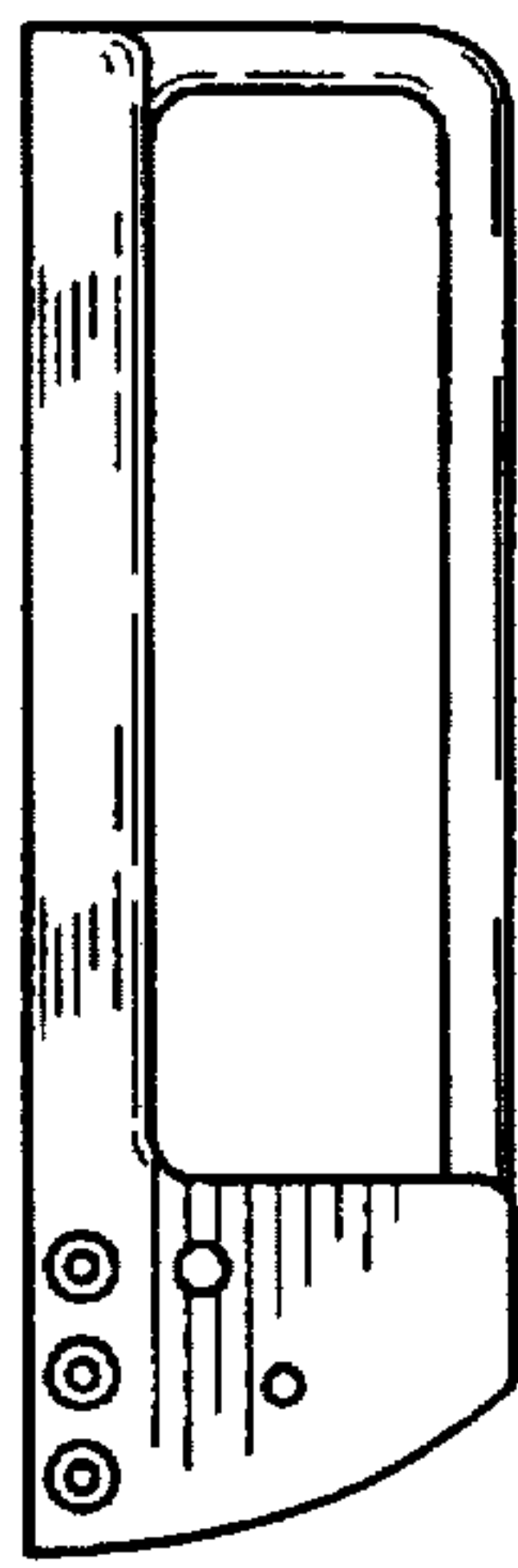


Fig. 7

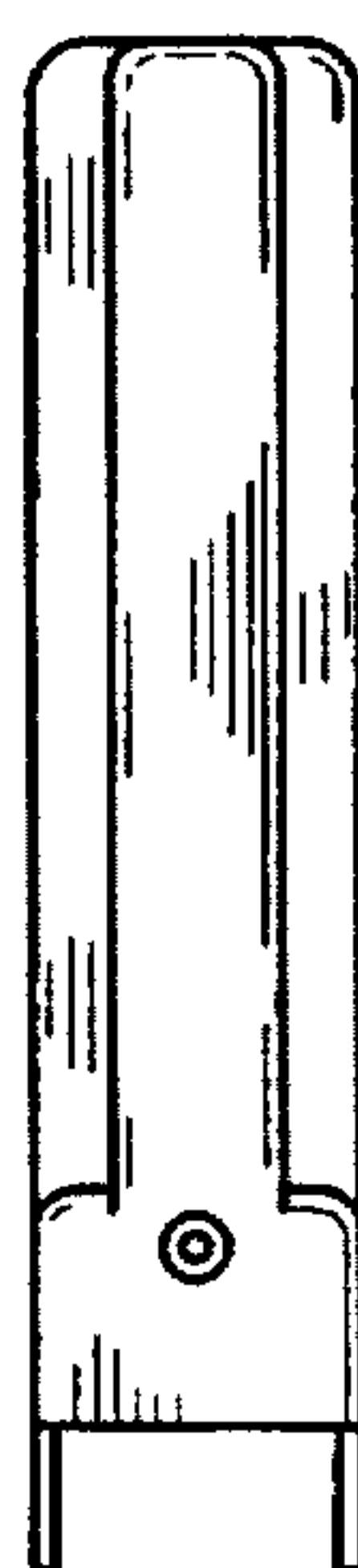


Fig. 8

