



US00D396041S

United States Patent [19]

[11] Patent Number: **Des. 396,041**

Read

[45] Date of Patent: ****Jul. 14, 1998**

[54] **WIRELESS ANTENNA STAND**

[75] Inventor: **Clifford D. Read**, Stittsville, Canada

[73] Assignee: **Northern Telecom Limited**, Montreal, Canada

[**] Term: **14 Years**

[21] Appl. No.: **64,889**

[22] Filed: **Jan. 13, 1997**

D. 358,820 5/1995 Gunnarsson D14/238
 4,931,805 6/1990 Fisher 343/715
 5,389,942 2/1995 Oglesby, Jr. 343/872
 5,402,135 3/1995 DeMarre et al. 343/715
 5,565,877 10/1996 Du et al. 343/715

Primary Examiner—Ruth McInroy
Attorney, Agent, or Firm—R. J. Austin

[57] CLAIM

The ornamental design for a wireless antenna stand, as shown and described.

[51] LOC (6) Cl. **14-03**

[52] U.S. Cl. **D14/238**

[58] Field of Search D14/230-238,
 D14/204, 299; 343/781 R, 824-825, 872-873,
 878, 888-890, 907-908, 912, DIG. 2, 713,
 715

DESCRIPTION

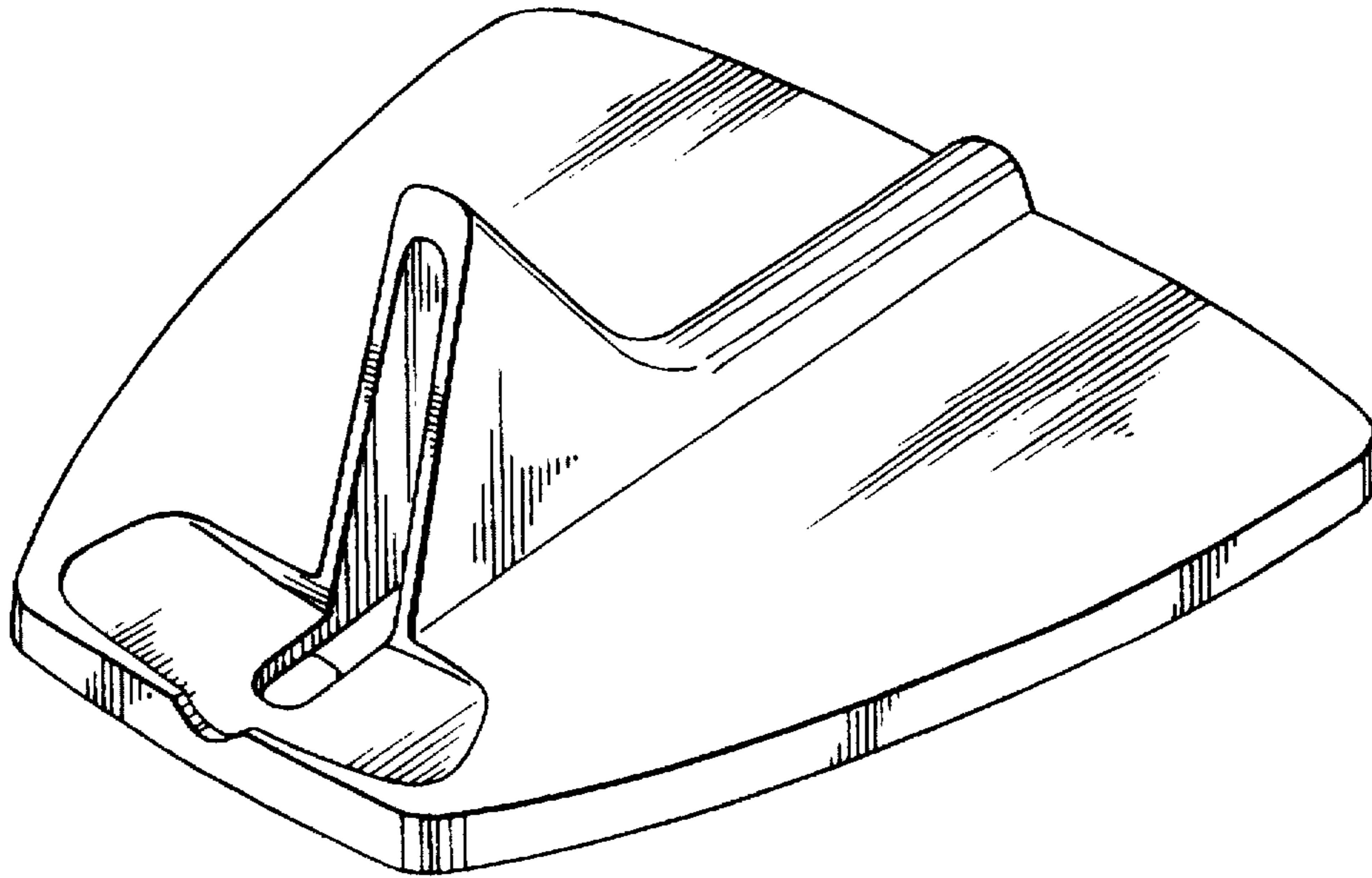
FIG. 1 is a top plan view of a wireless antenna stand showing my new design;
 FIG. 2 is a bottom plan view thereof;
 FIG. 3 is a right hand side view thereof;
 FIG. 4 is a left hand side view thereof;
 FIG. 5 is a front end view thereof;
 FIG. 6 is a rear end view thereof; and,
 FIG. 7 is an isometric view from the front thereof.

[56] References Cited

U.S. PATENT DOCUMENTS

D. 321,886 11/1991 Metivier D14/238

1 Claim, 3 Drawing Sheets



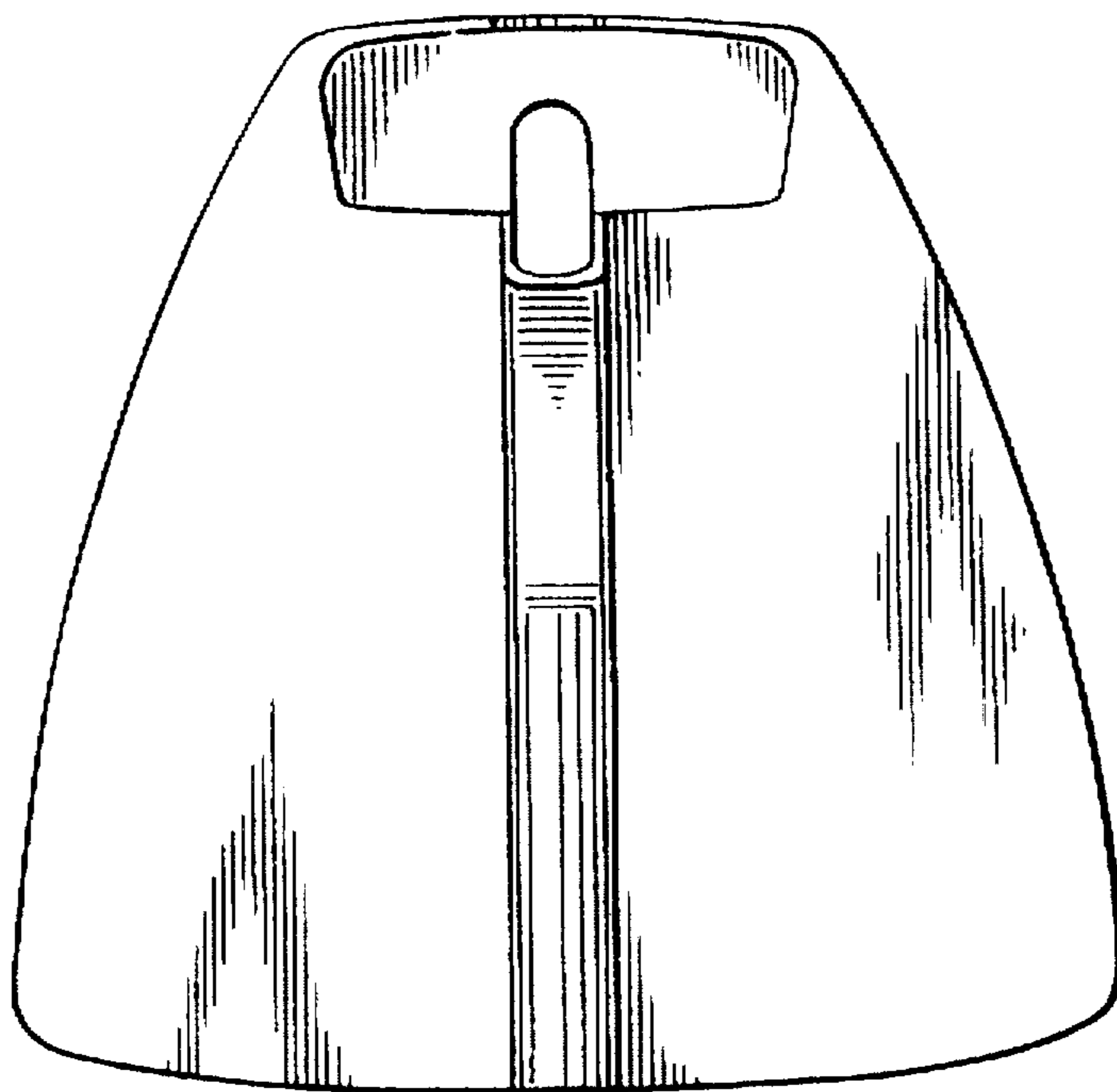


FIG. 1

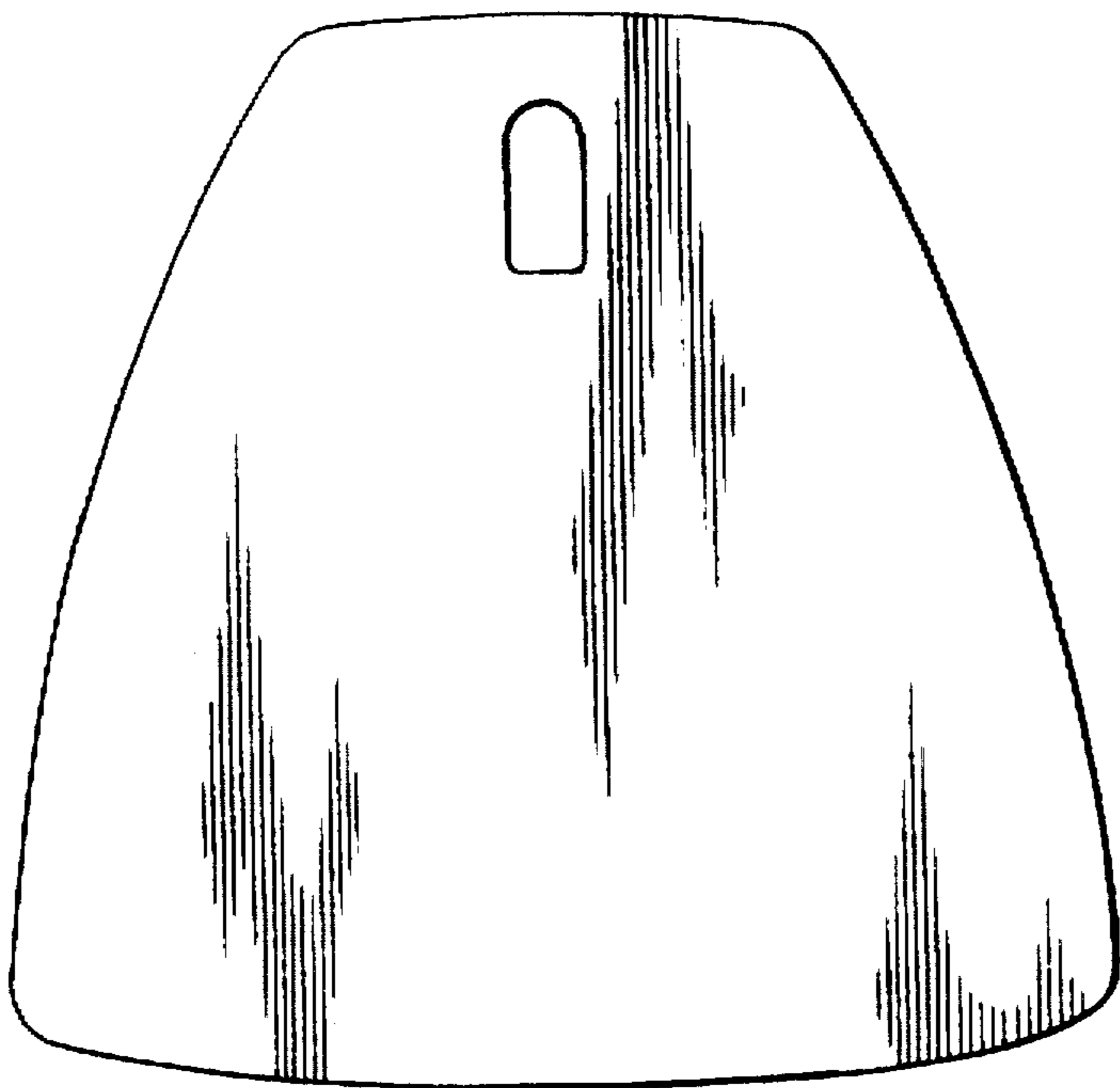


FIG. 2

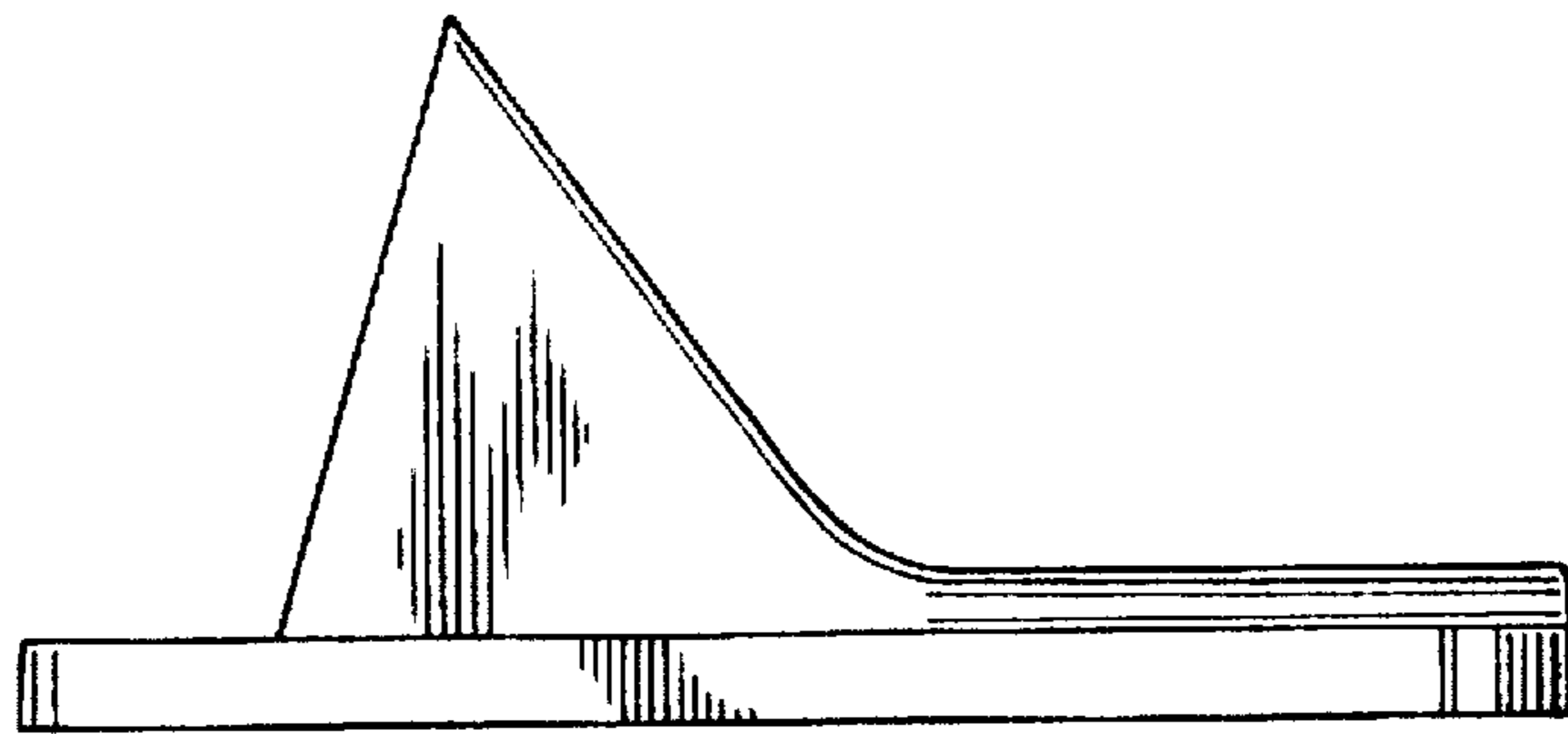


FIG. 3

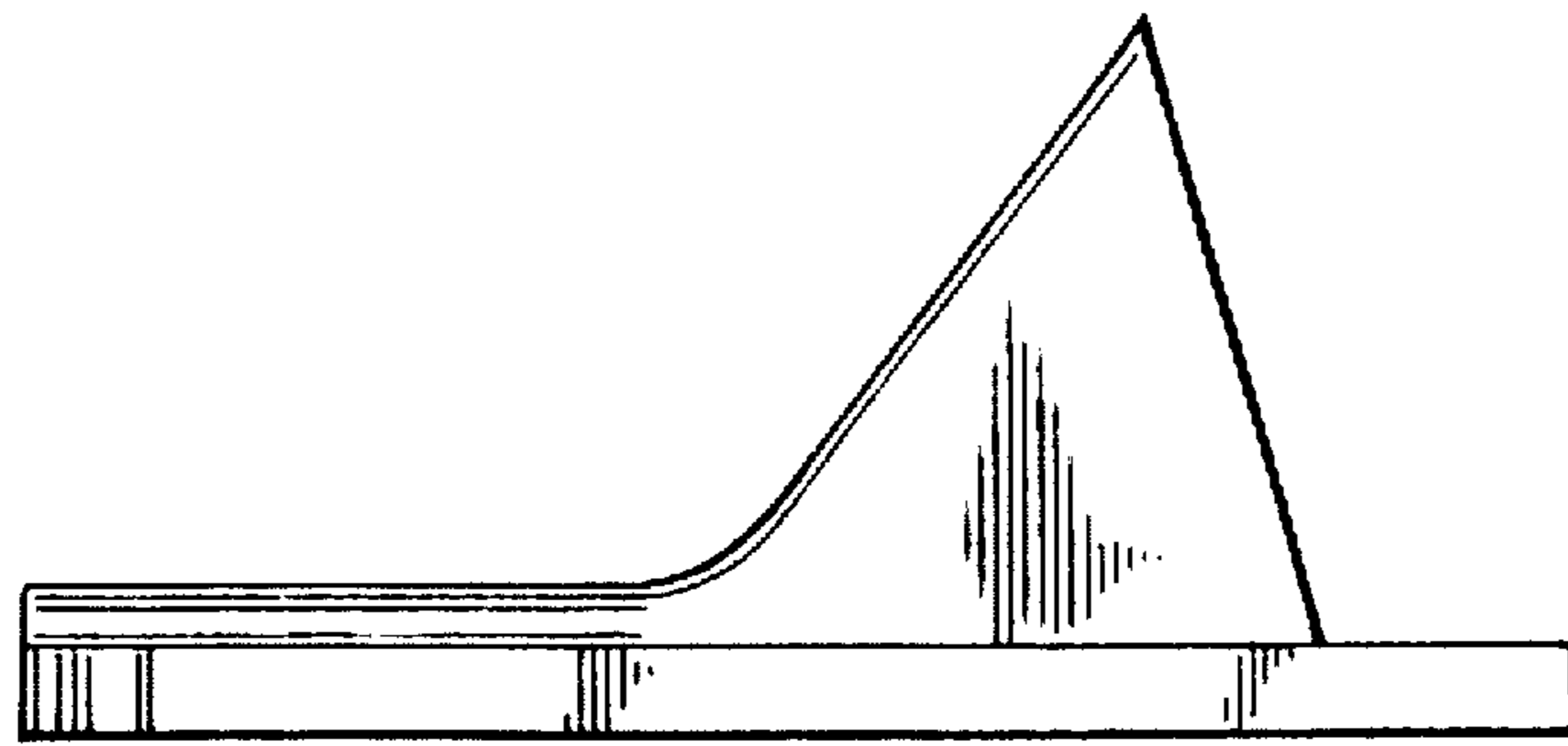


FIG. 4

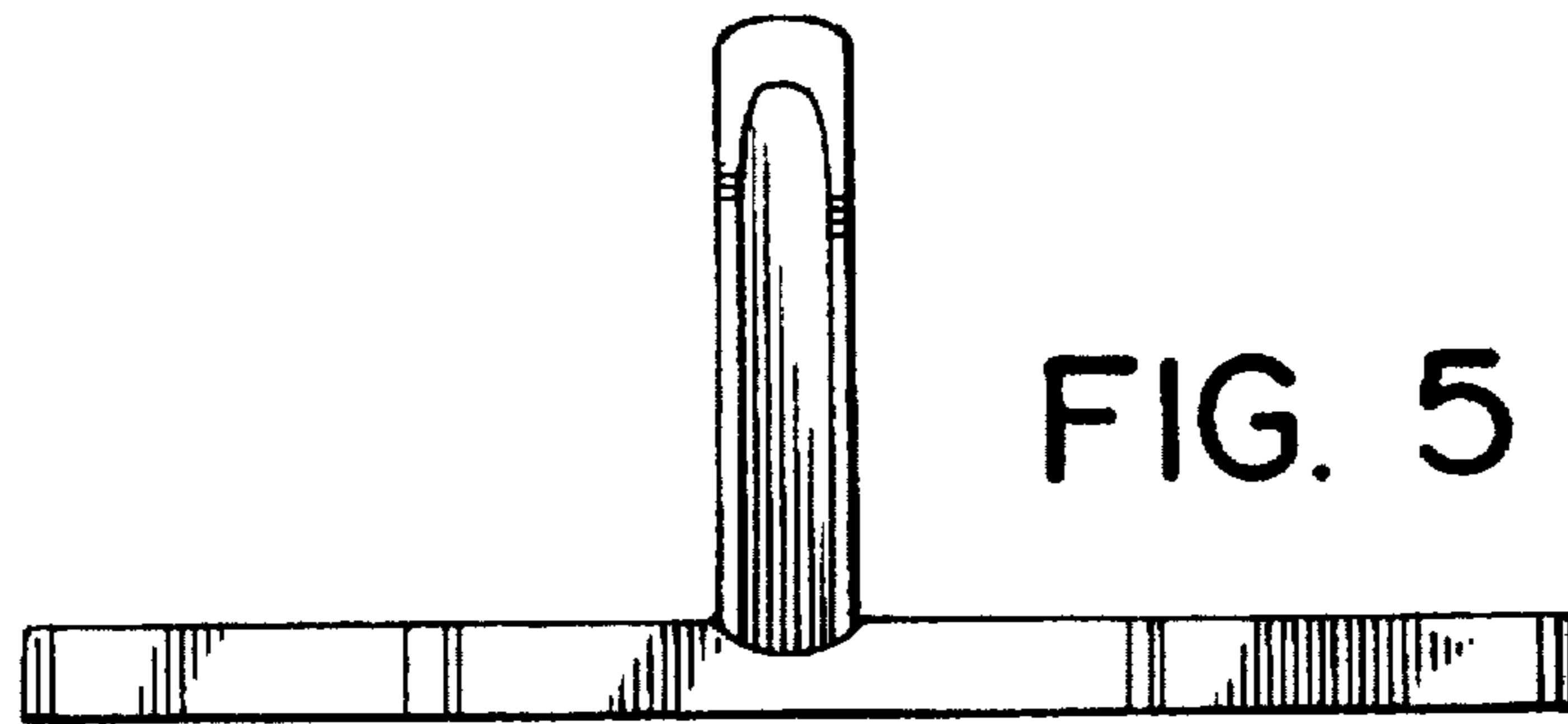


FIG. 5

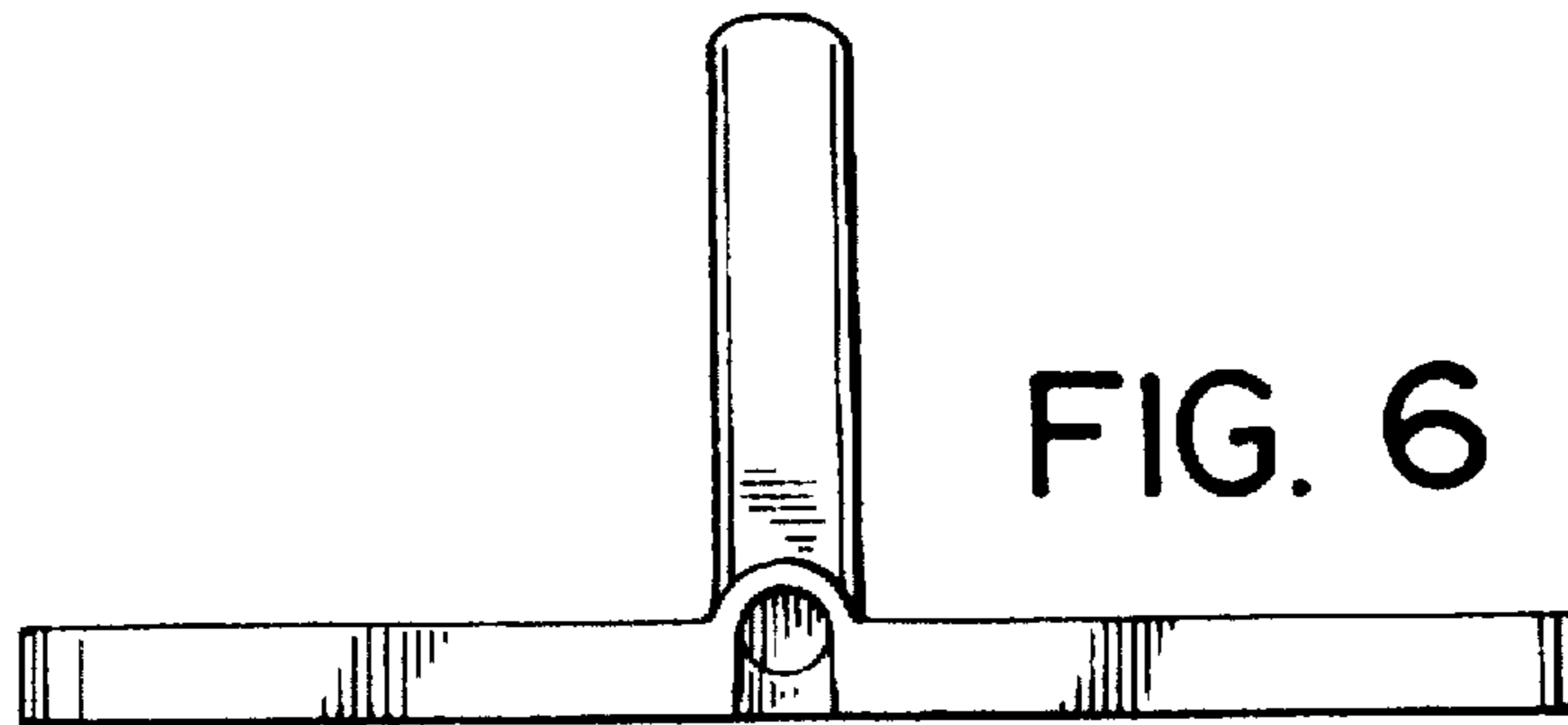


FIG. 6

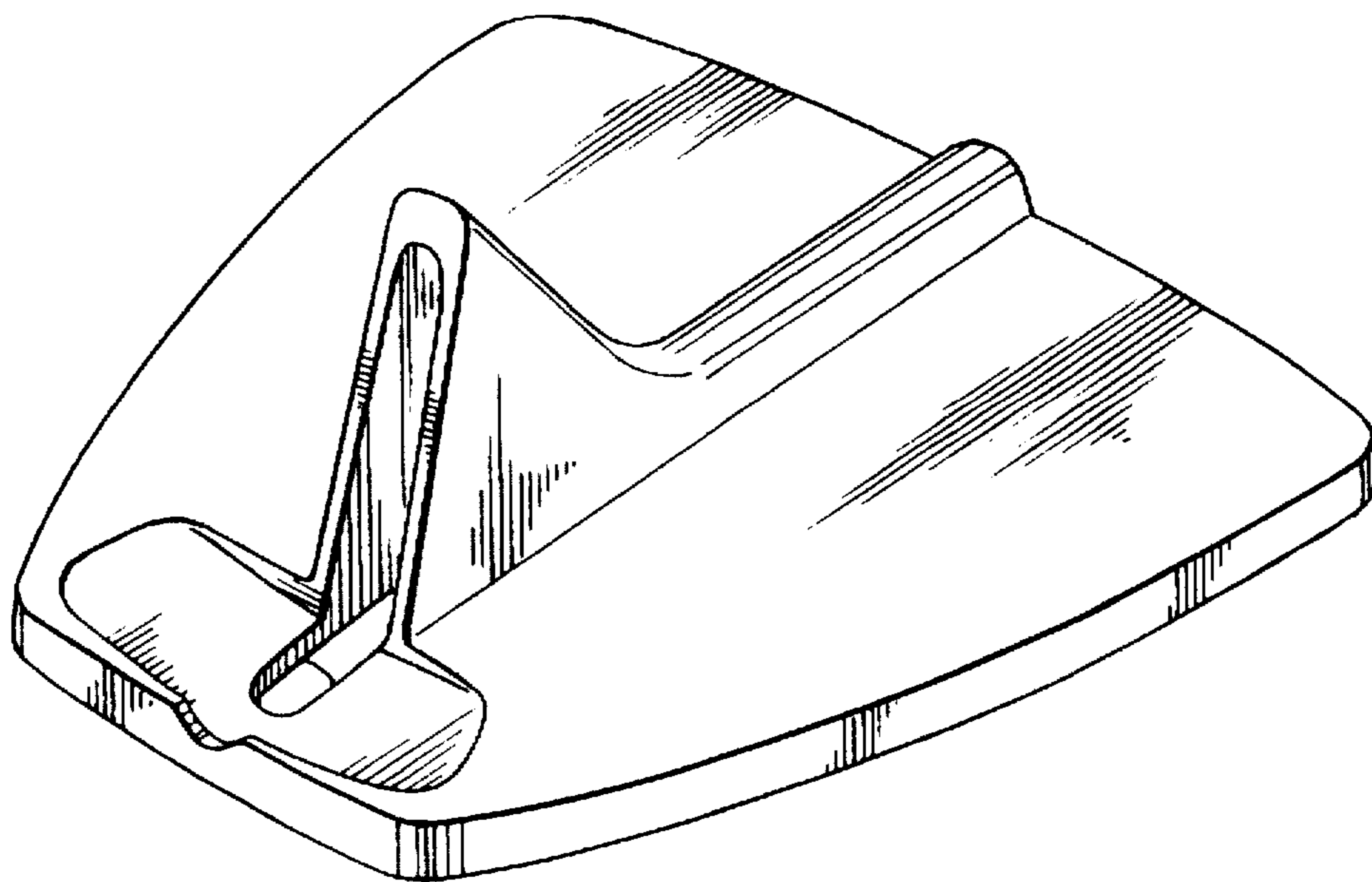


FIG. 7