



US00D396033S

# United States Patent [19]

[11] Patent Number: **Des. 396,033**

Ahearn et al.

[45] Date of Patent: **\*\*Jul. 14, 1998**

## [54] BASE UNIT FOR RECEIVING AN ARTICLE

[75] Inventors: **Kevin J. Ahearn, Matthews; Lawrence R. Ober, Pineville; Michiel Reinier Ausems, Charlotte; Alan Lee Morris, Matthews, all of N.C.**

[73] Assignee: **Hand Held Products, Inc., Charlotte, N.C.**

[\*\*] Term: **14 Years**

[21] Appl. No.: **59,554**

[22] Filed: **Sep. 12, 1996**

[51] LOC (6) Cl. .... **14-02**

[52] U.S. Cl. .... **D14/114**

[58] Field of Search ..... D14/100, 107, D14/114, 116; 235/375, 378, 385, 454, 462, 486, 472; 382/312-15, 318-19; 250/203.1, 216; D26/37, 45, 50; D13/107-9

## [56] References Cited

### U.S. PATENT DOCUMENTS

D. 277,662	2/1985	Huntington et al. ....	D13/107
D. 298,230	10/1988	Lay .....	D13/107
D. 301,455	6/1989	Hotsumi et al. ....	D13/108
D. 313,221	12/1990	Skully et al. ....	D13/108
D. 316,087	4/1991	Meckstroth et al. ....	D14/114
D. 317,911	7/1991	Yokoi .....	D14/107
D. 319,061	8/1991	Powell et al. ....	D13/107
D. 341,133	11/1993	Miyake et al. ....	D14/114
D. 349,485	8/1994	Richards et al. ....	D13/107
D. 359,483	6/1995	Saunders et al. .	
D. 369,344	4/1996	Linderman et al. ....	D13/108
D. 370,478	6/1996	Swift et al. .	
D. 378,916	4/1997	Kanno et al. ....	D14/116
D. 382,862	8/1997	Nakayama et al. ....	D14/107

## OTHER PUBLICATIONS

A commercial product of Systel International, Spa, commercially available at least prior to the filing date of the instant application.

A commercial product of Symbol Technologies, Inc. commercially available at least prior to the filing date of the instant application.

*Primary Examiner*—M. H. Tung

*Attorney, Agent, or Firm*—Bell Seltzer Intellectual Property Law Group of Alston & Bird LLP

## [57] CLAIM

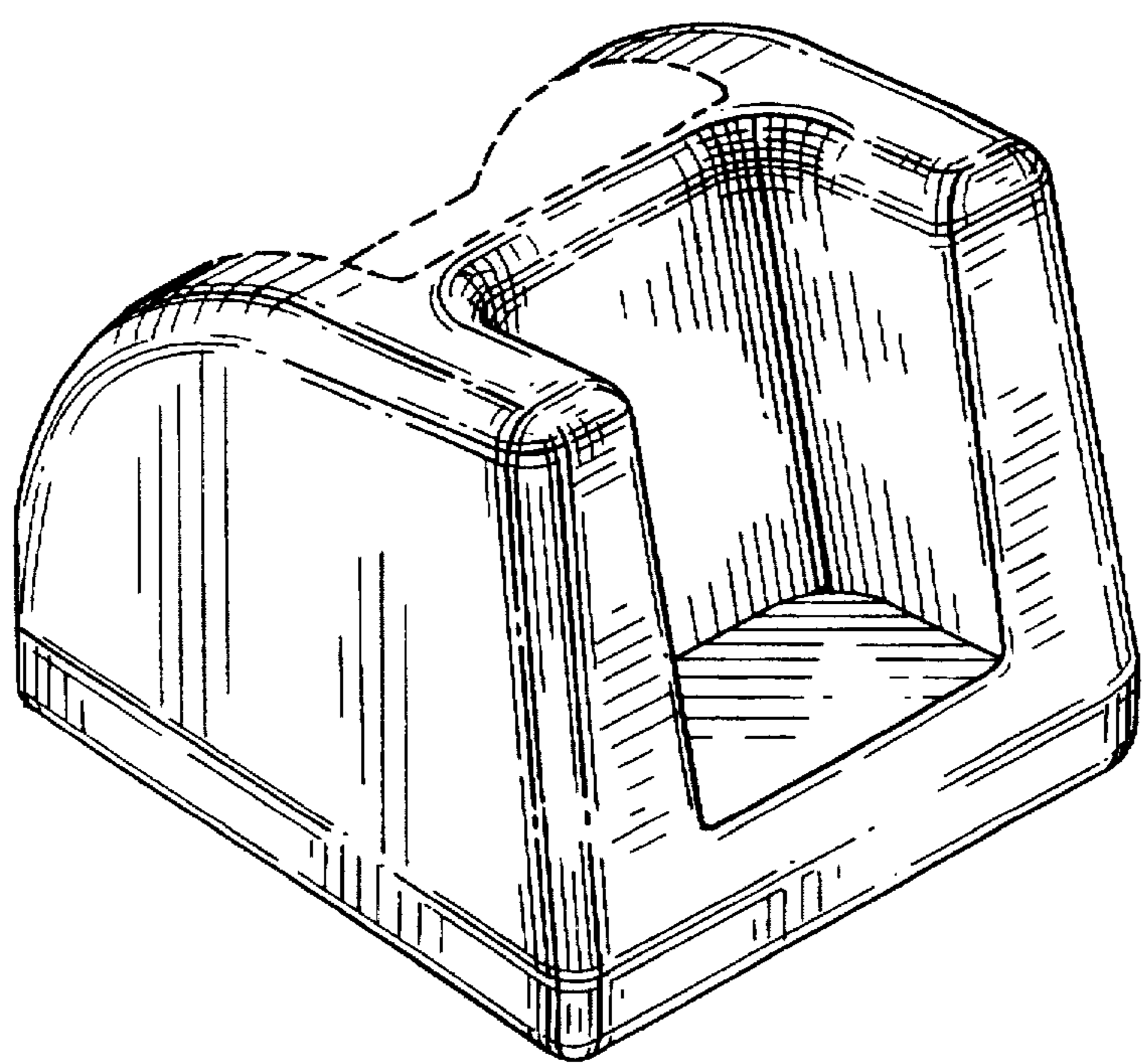
The ornamental design for an base unit for receiving an article, as shown and described.

## DESCRIPTION

FIG. 1 is a front perspective view of a base unit for receiving an article showing a first embodiment our new design; FIG. 2 is a rear perspective view thereof; FIG. 3 is a front elevational view thereof; FIG. 4 is a rear elevational view thereof; FIG. 5 is a top plan view thereof; FIG. 6 is right side elevational view, the left side being a mirror image thereof; FIG. 7 is a bottom plan view thereof; FIG. 8 is a perspective view of an a base unit for receiving an article showing a second embodiment of our new design; FIG. 9 is a front perspective view thereof; and, FIG. 10 is a rear perspective view thereof.

The broken lines shown herein are for illustrative purposes only and form no part of the claimed design. The side and bottom views of the second embodiment shown in FIG. 8 are like FIGS. 6 and 7, respectively.

**1 Claim, 5 Drawing Sheets**



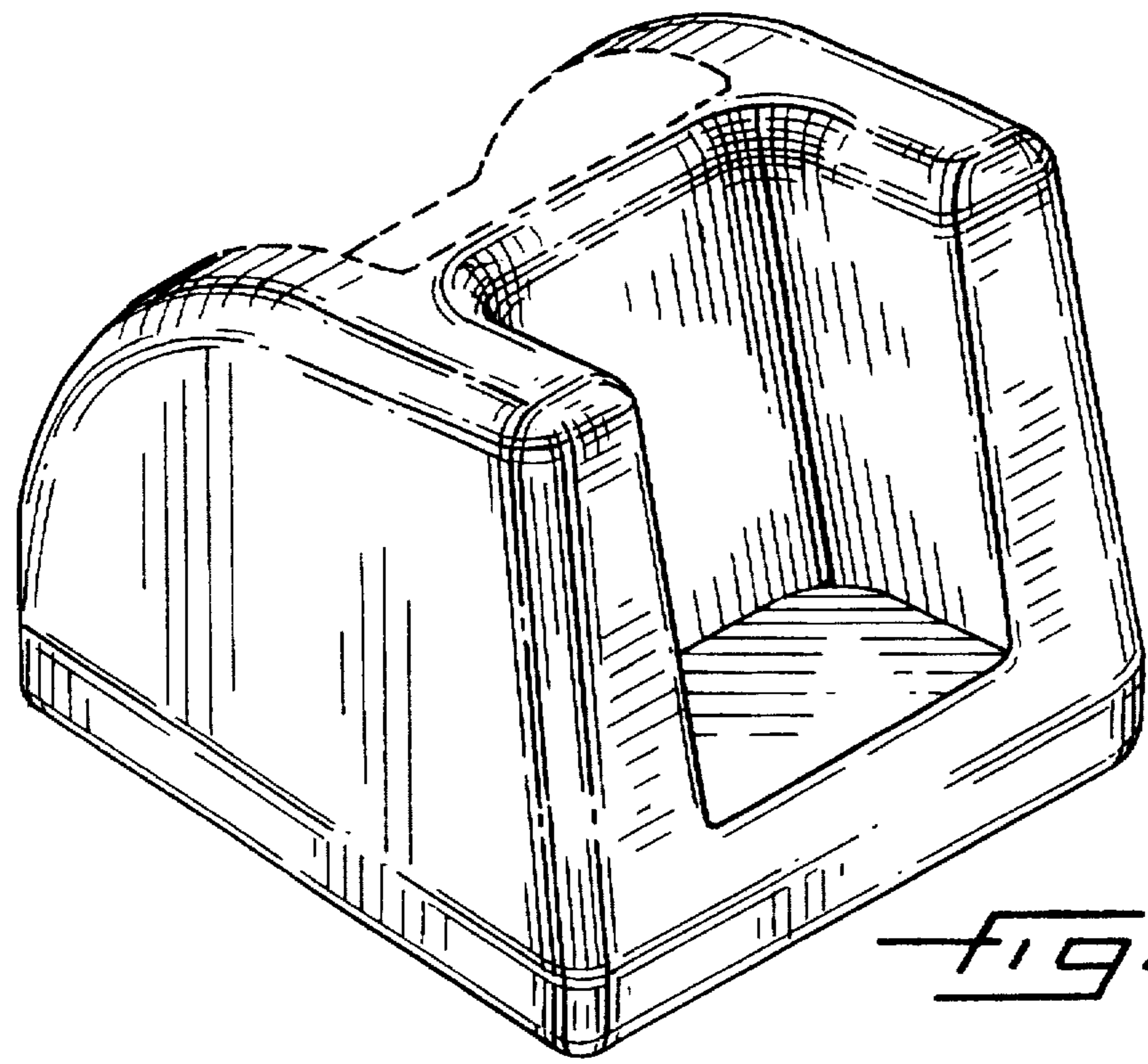


FIG. 1.

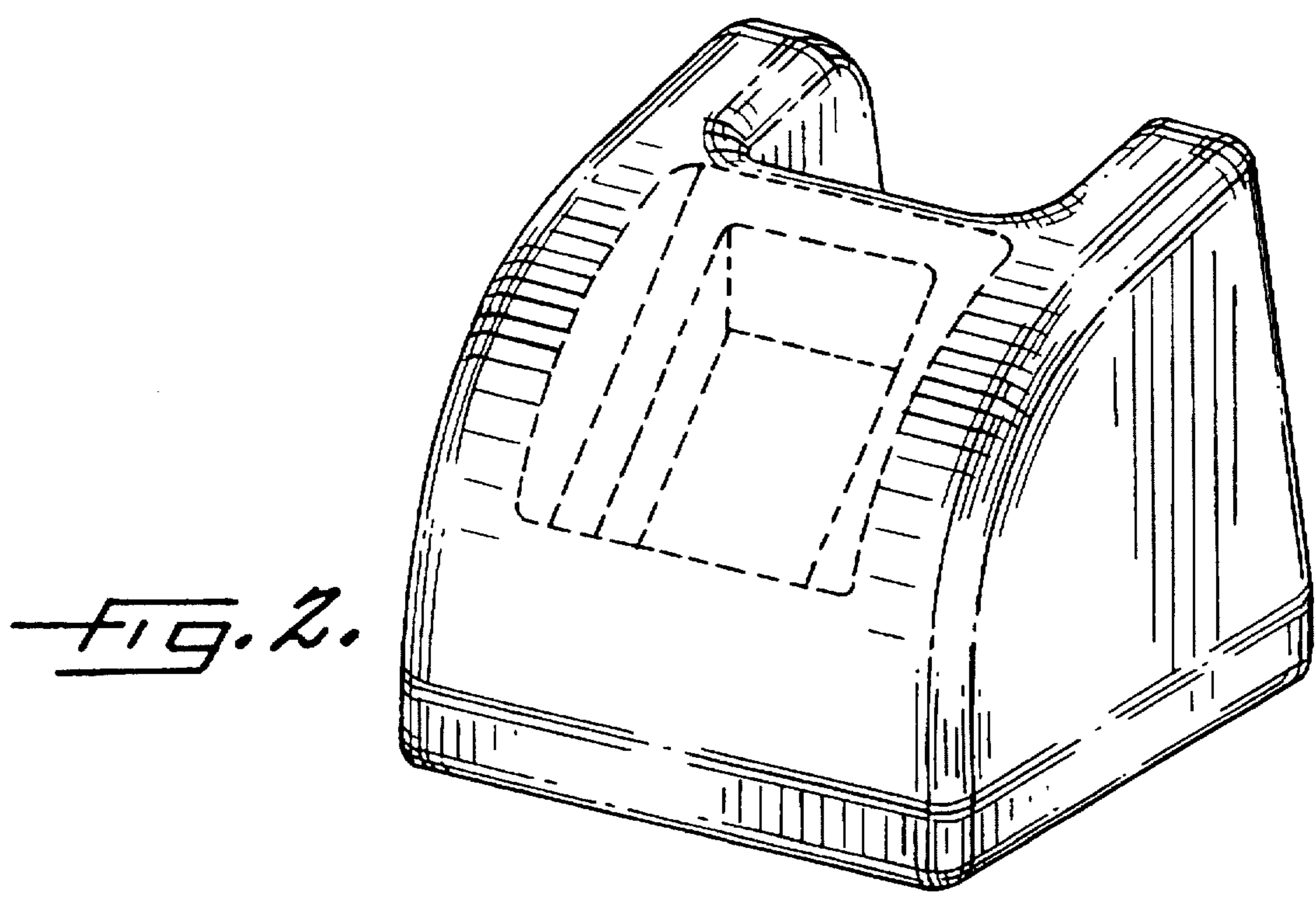


FIG. 2.

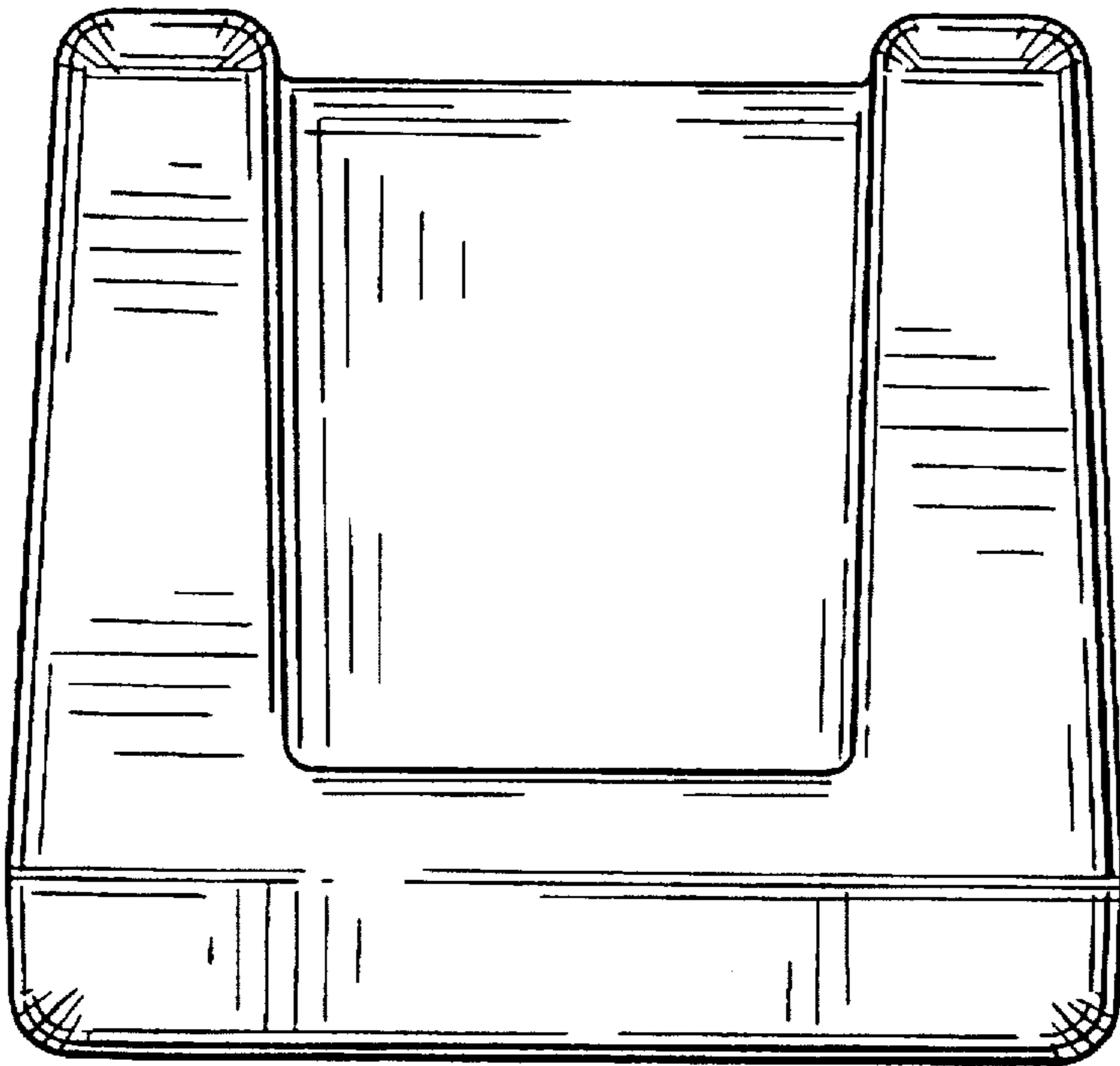


FIG. 3.

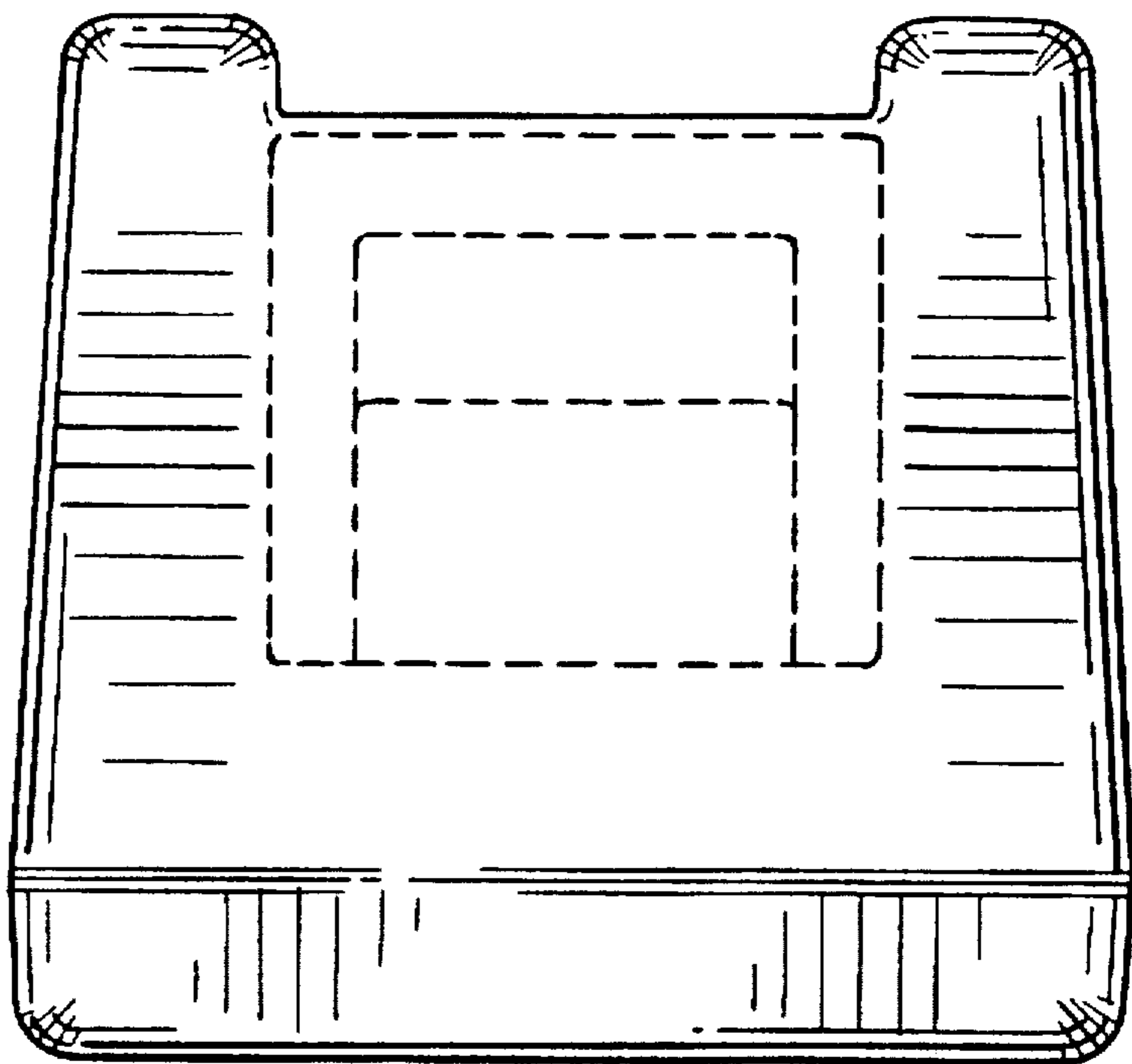


FIG. 4.

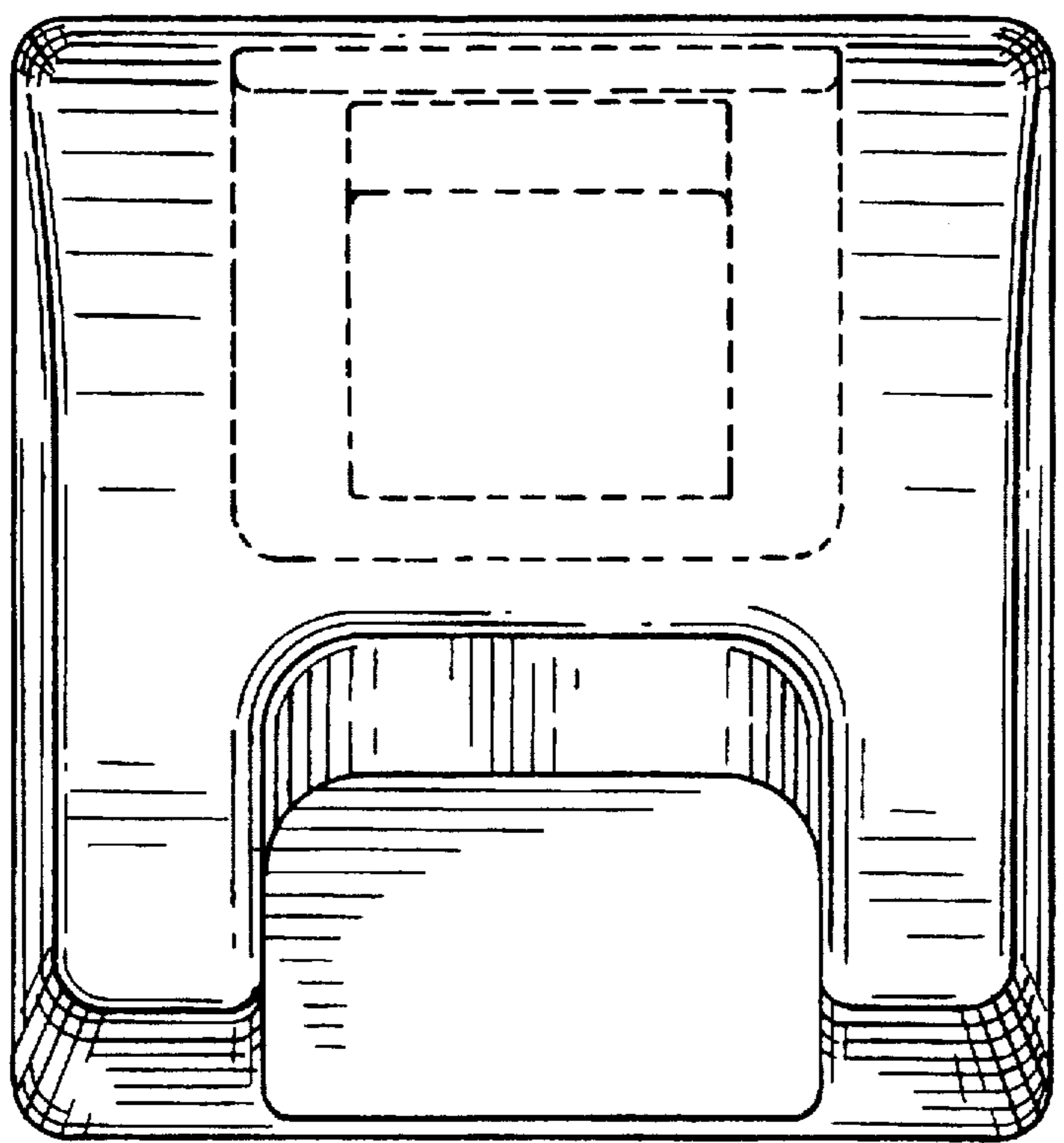


FIG. 5.

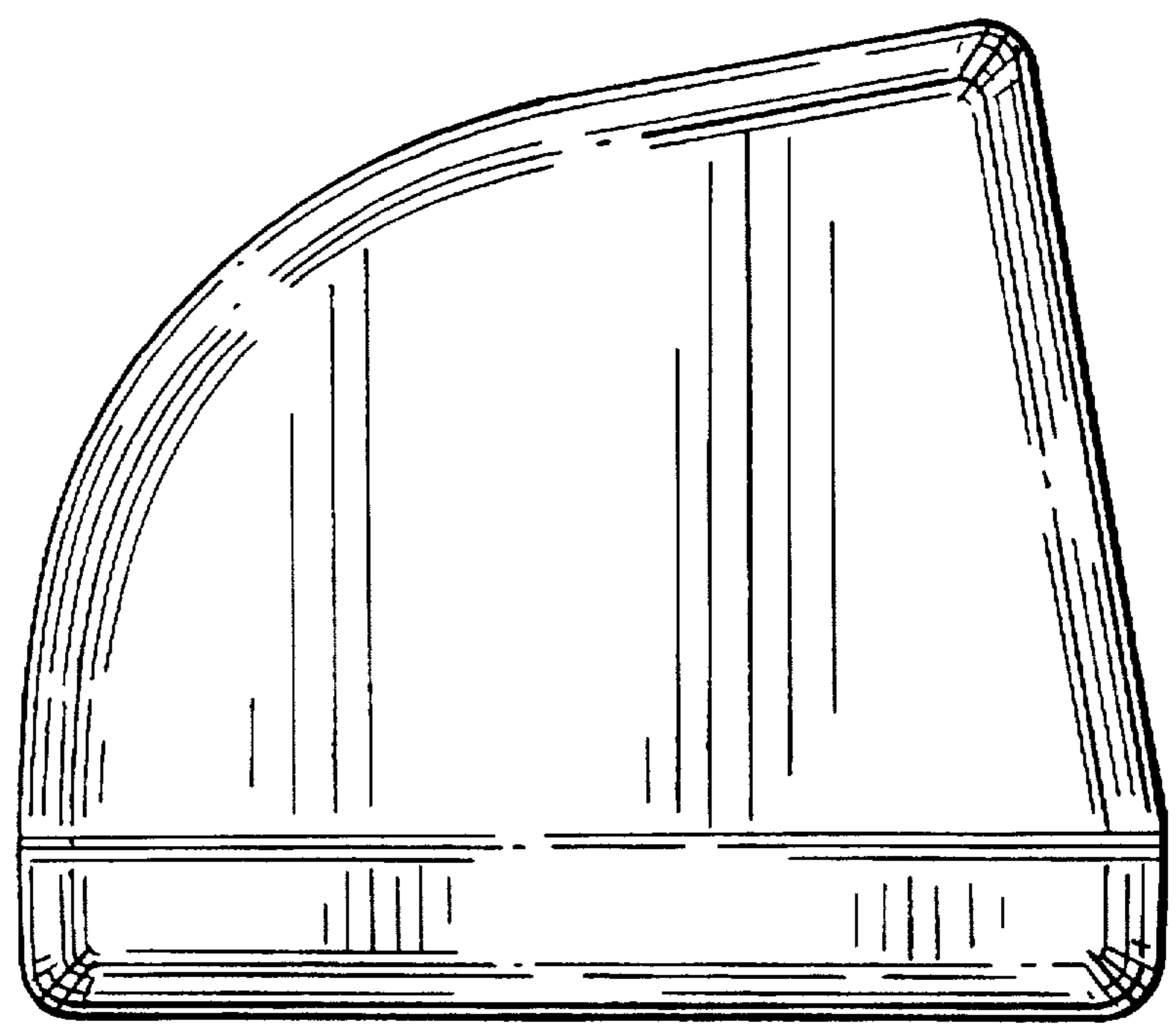


FIG. 6.

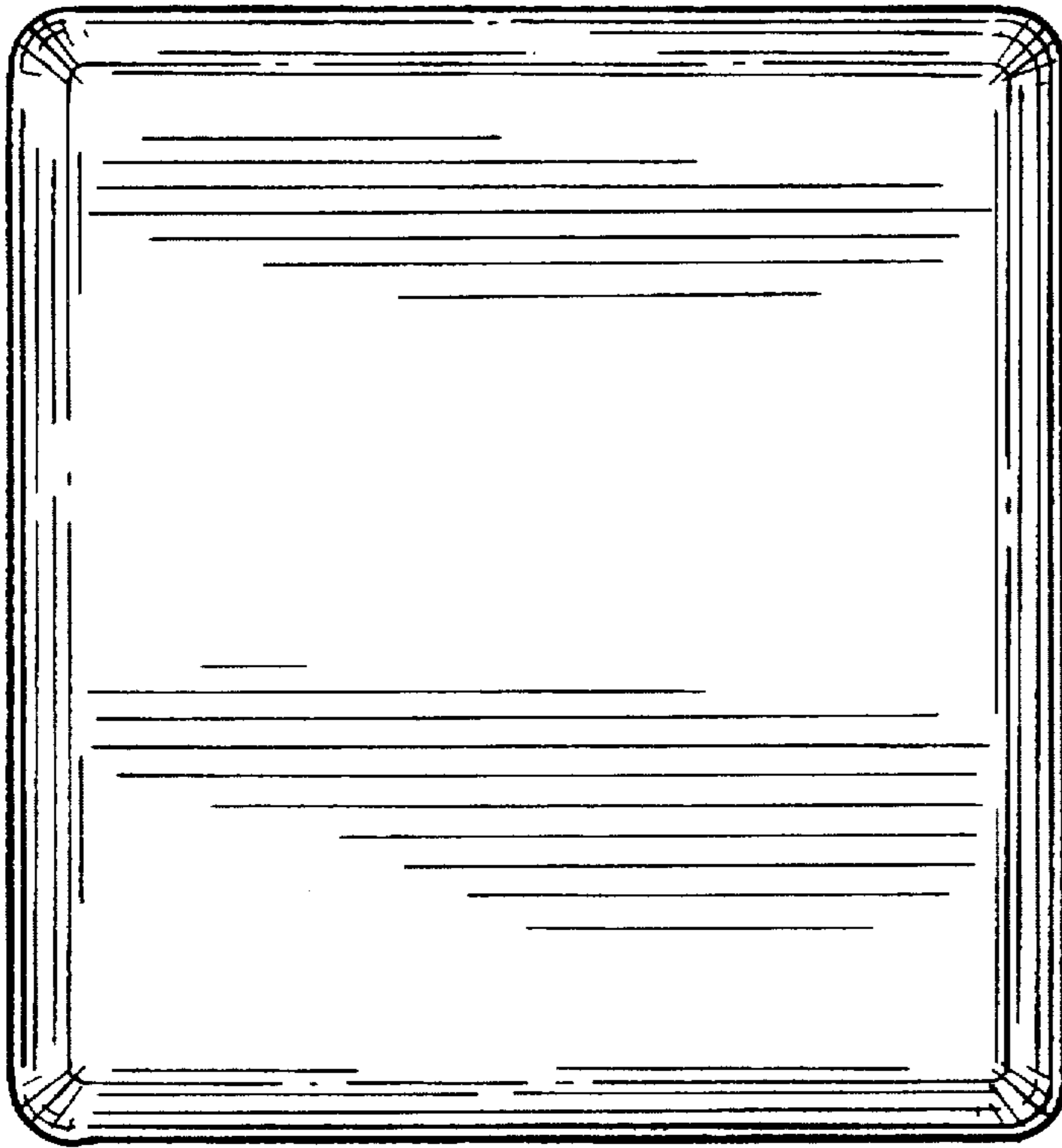


FIG. 7.

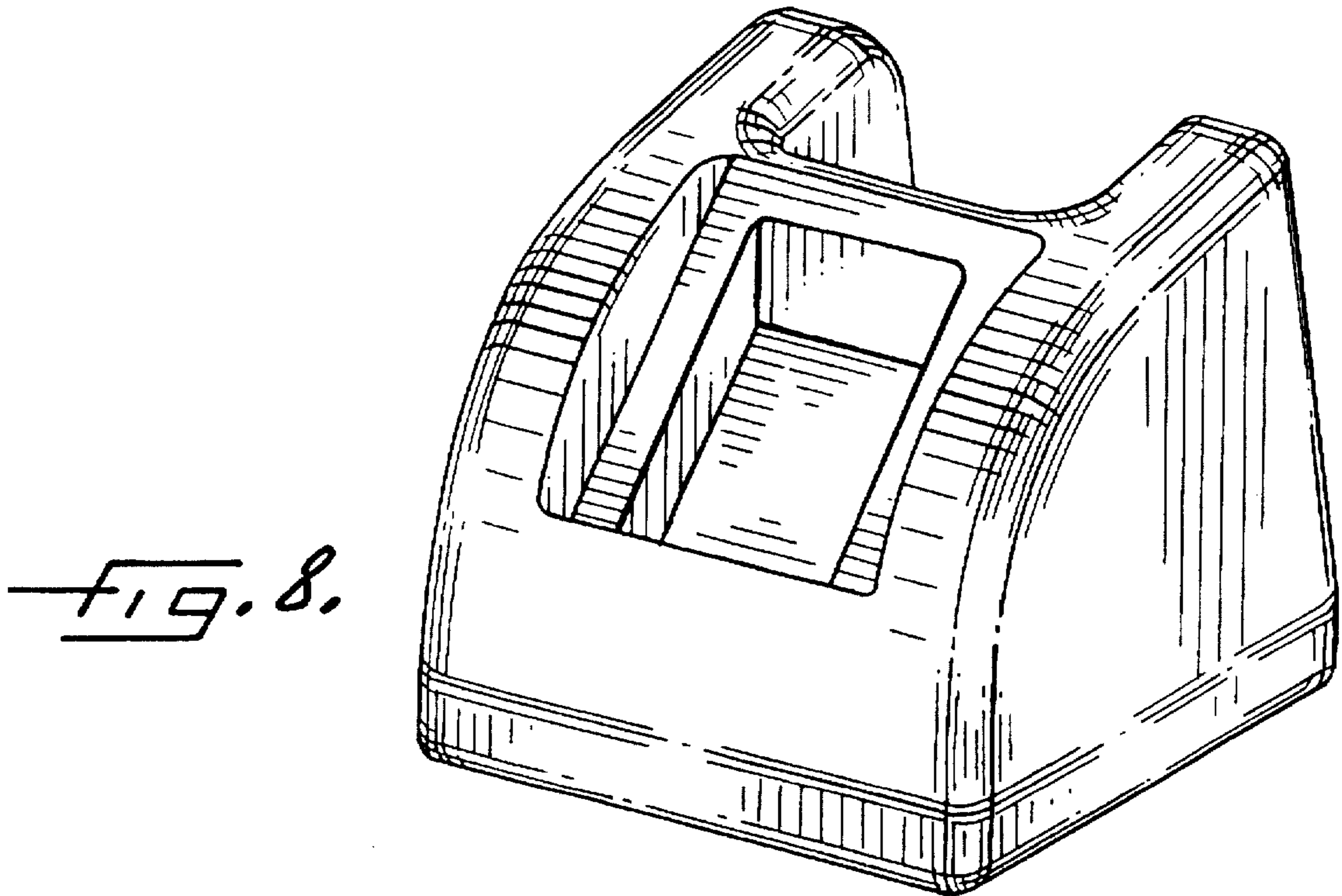


FIG. 8.

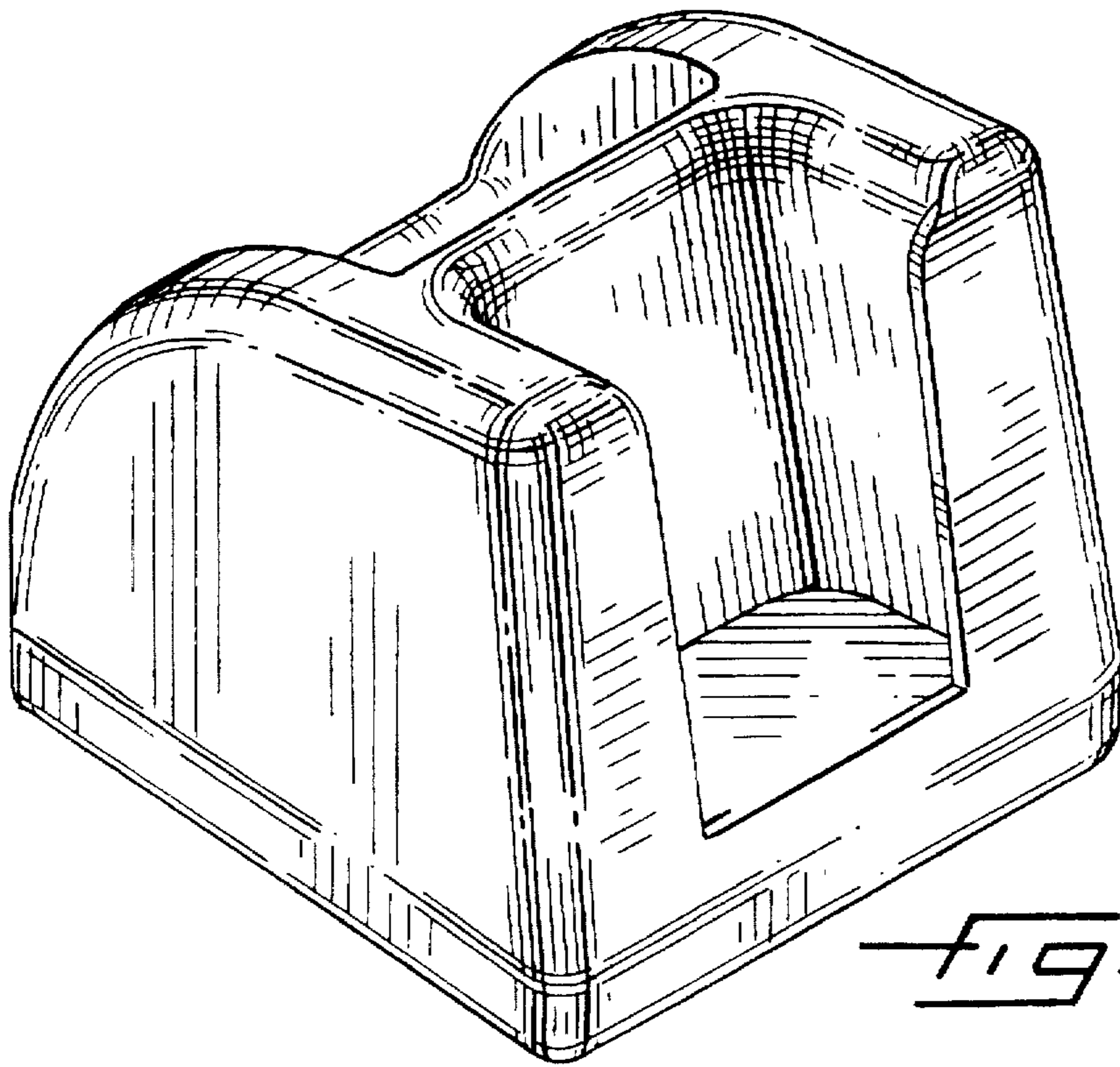


FIG. 9.

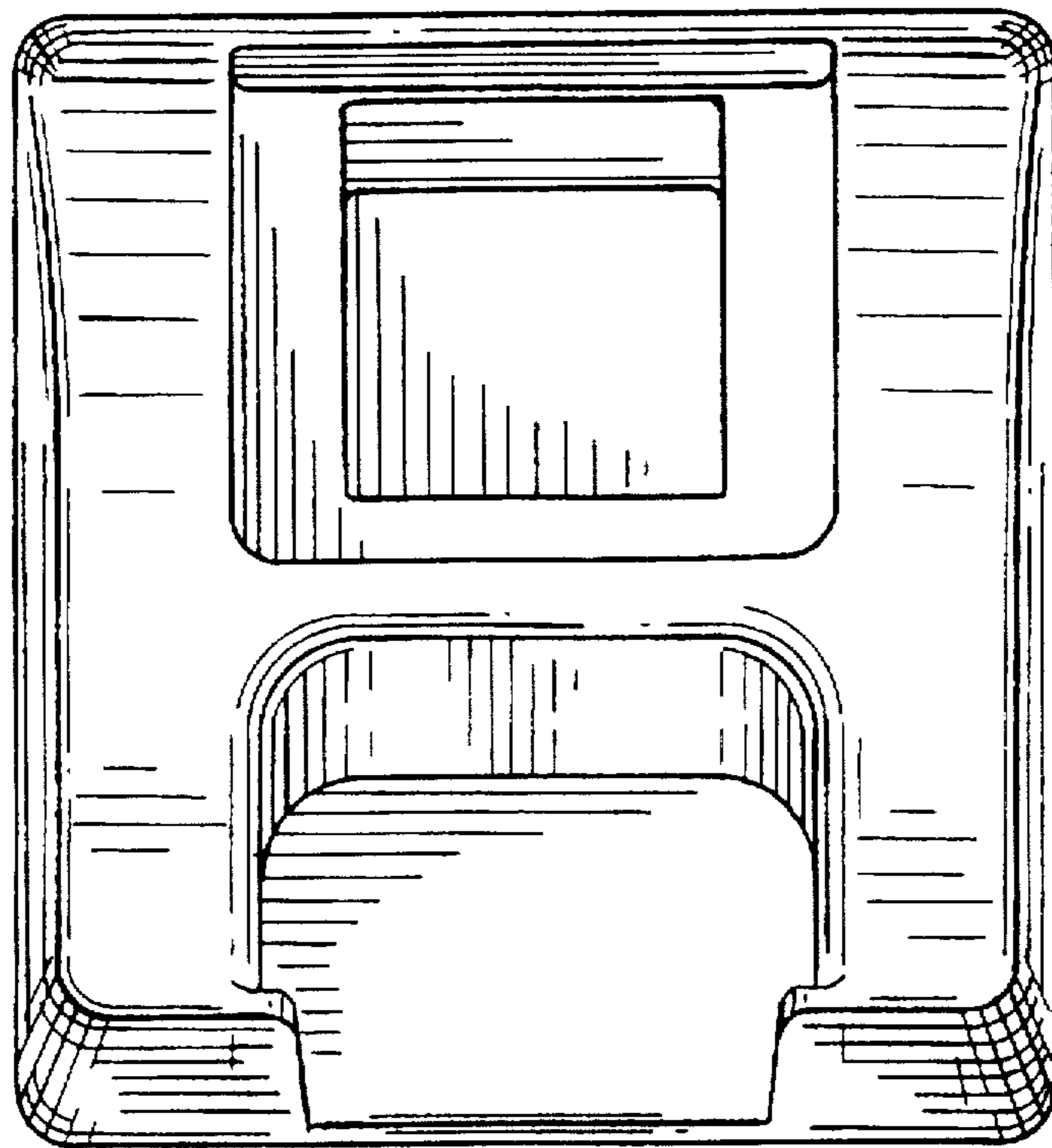


FIG. 10.