



US00D396030S

United States Patent [19]

Murphy

[11] Patent Number: **Des. 396,030**

[45] Date of Patent: *****Jul. 14, 1998**

[54] **WORKSTATION CONTROLLER FOR A DATA PROCESSING SYSTEM**

[75] Inventor: **Tim Kerry Murphy, Rochester, Minn.**

[73] Assignee: **International Business Machines Corporation, Armonk, N.Y.**

[*] Notice: The portion of the term of this patent subsequent to Jan. 13, 2012, has been disclaimed.

[**] Term: **14 Years**

[21] Appl. No.: **60,738**

[22] Filed: **Oct. 4, 1996**

[51] LOC (6) Cl. **14-02**

[52] U.S. Cl. **D14/100**

[58] Field of Search D14/100, 102, D14/107-109; D6/432, 436, 445, 448; D13/162, 184, 199, 110; 312/208.1, 254, 292, 223.2; 360/98.01; 361/694, 696, 683

[56] **References Cited**

U.S. PATENT DOCUMENTS

- D. 335,489 5/1993 Sander D14/100
- D. 340,031 10/1993 Hill D13/162
- D. 348,257 6/1994 Wingate D14/114

- D. 351,147 10/1994 Hill D14/109
- D. 360,405 7/1995 Hill et al. D14/100
- D. 360,406 7/1995 Hill et al. D14/100
- D. 361,538 8/1995 Hill et al. D13/110
- D. 366,249 1/1996 Hill et al. D14/100
- D. 366,462 1/1996 Hill et al. D14/100
- D. 366,648 1/1996 Hill et al. D14/100
- D. 366,651 1/1996 Hill et al. D14/107

Primary Examiner—Freda Nunn
Attorney, Agent, or Firm—Matthew J. Bussan

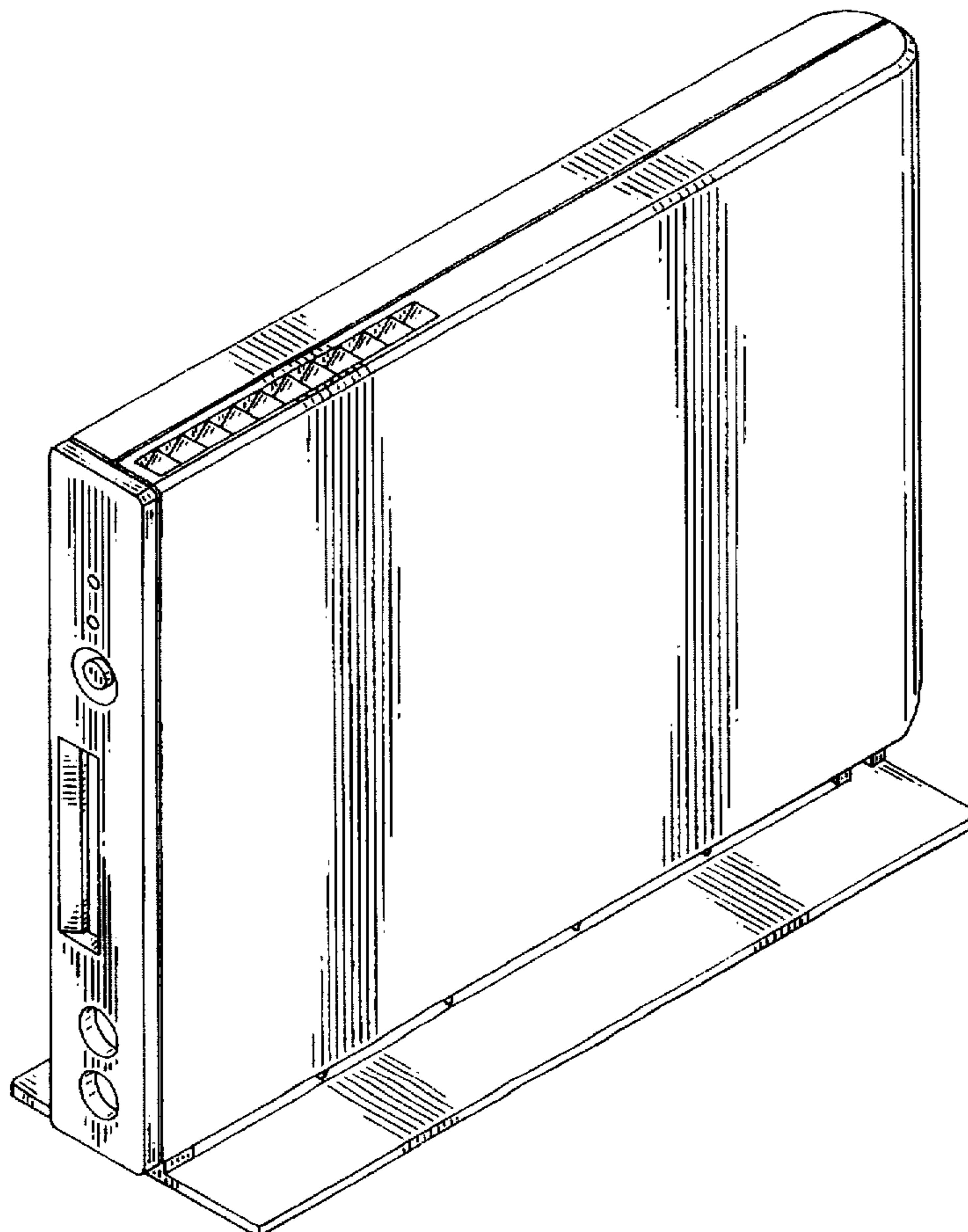
[57] **CLAIM**

The ornamental design for a workstation controller for a data processing system, as shown and described.

DESCRIPTION

FIG. 1 is a top, front, right side isometric view of a workstation controller for a data processing system, showing our new design;
 FIG. 2 is a front elevational view thereof;
 FIG. 3 is a top plan view thereof;
 FIG. 4 is a right side elevational view thereof;
 FIG. 5 is a rear elevational view thereof;
 FIG. 6 is a left side elevational view thereof; and,
 FIG. 7 is a top, rear, left side isometric view thereof.
 The bottom of the workstation controller for a data processing system is unornamented

1 Claim, 7 Drawing Sheets



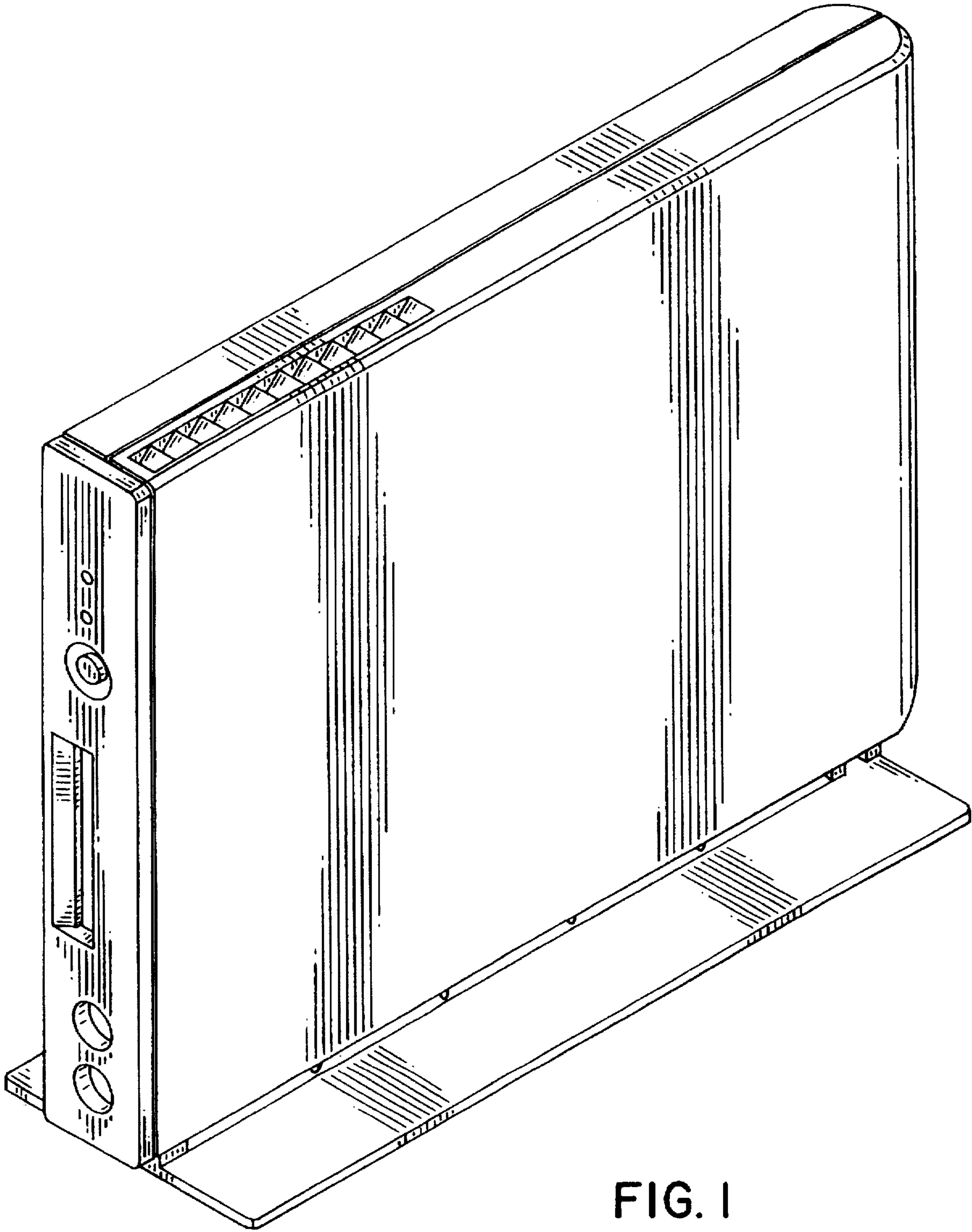


FIG. 1

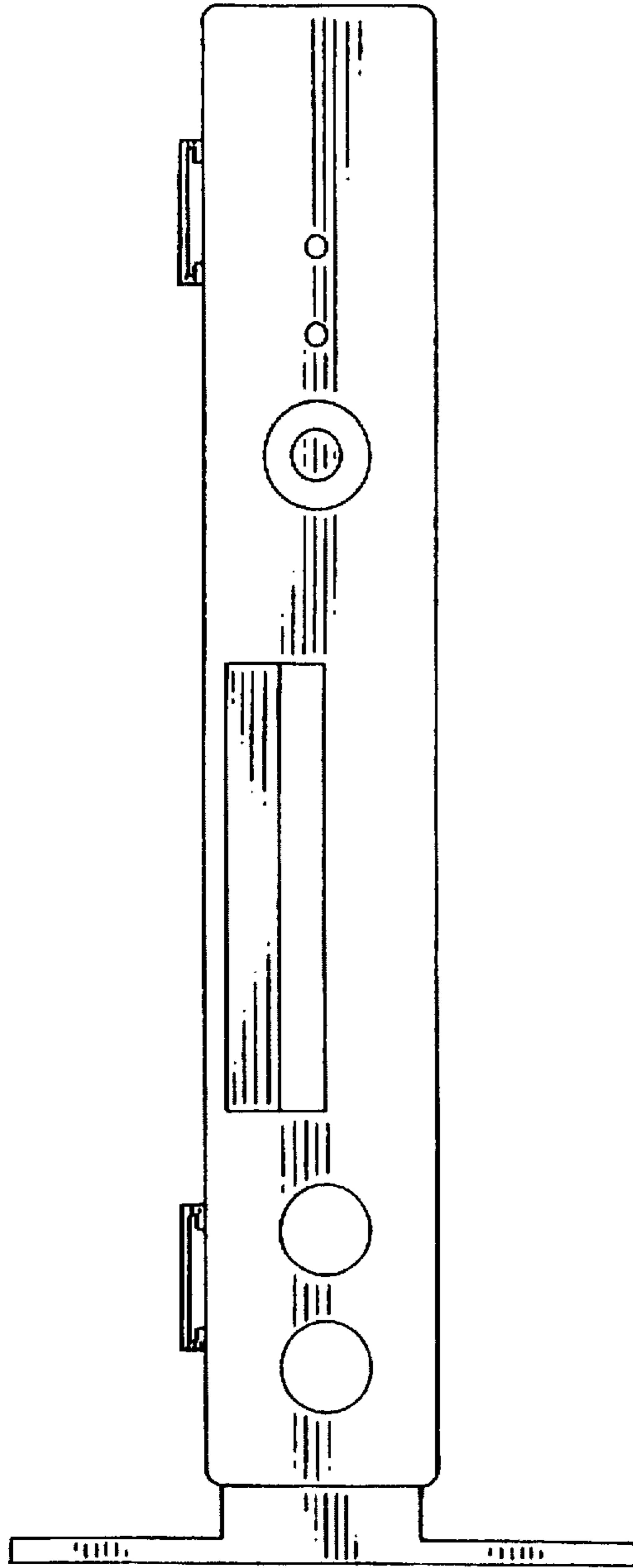


FIG. 2

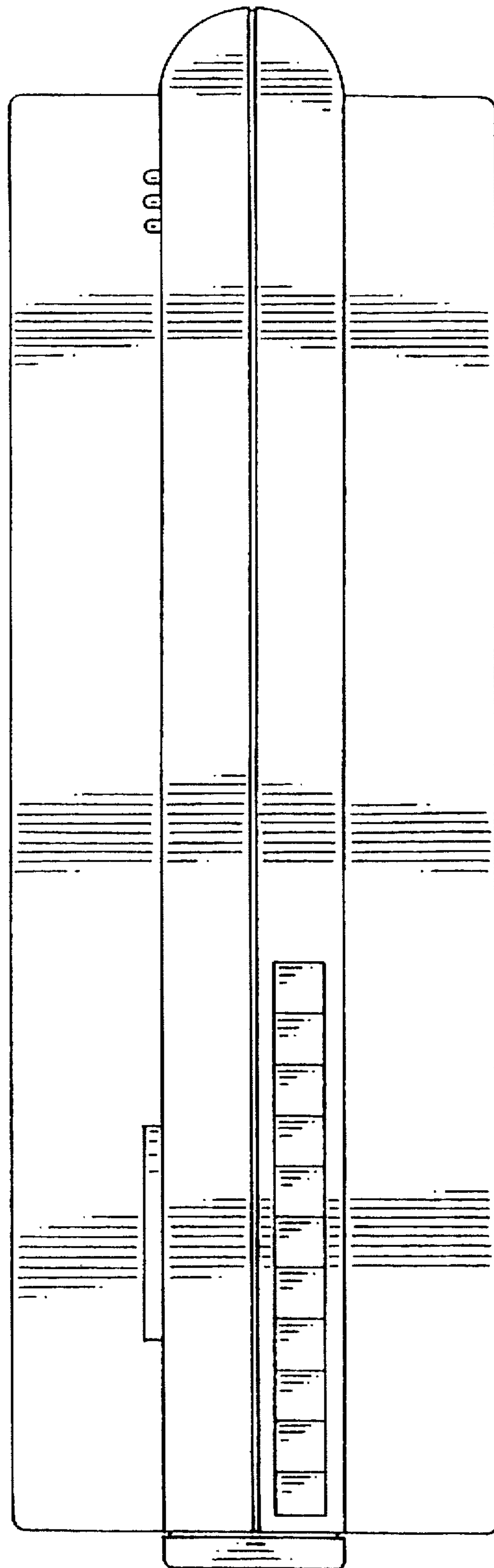
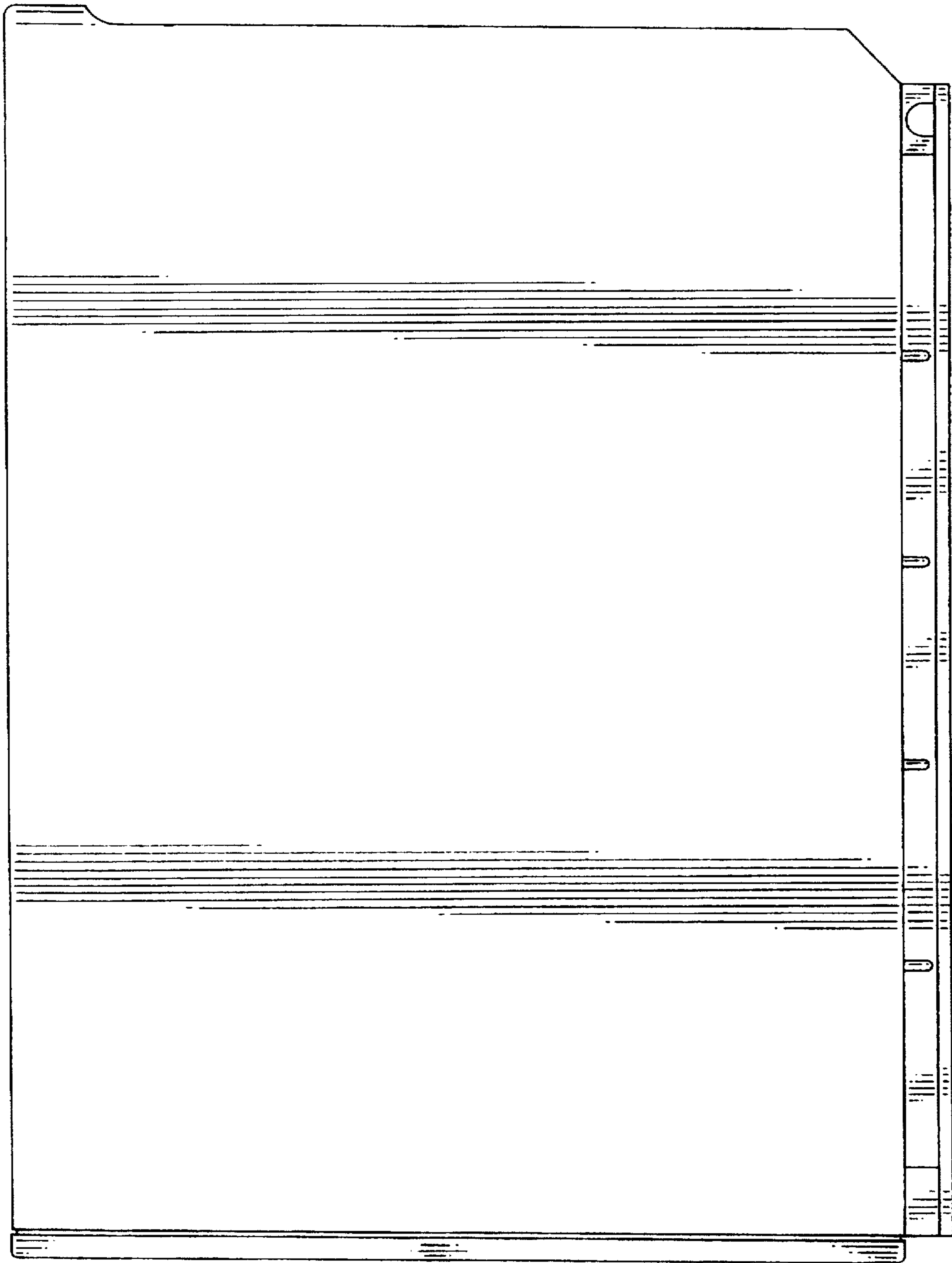


FIG. 3

FIG. 4



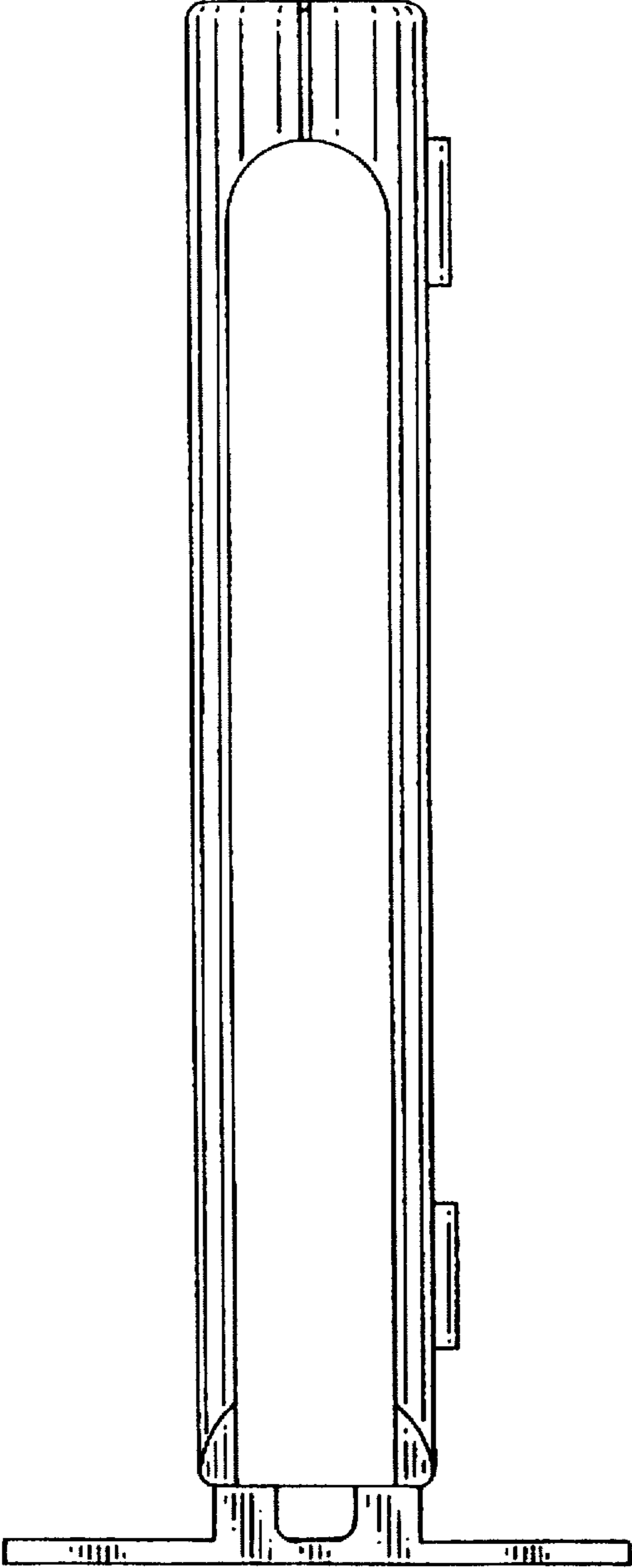
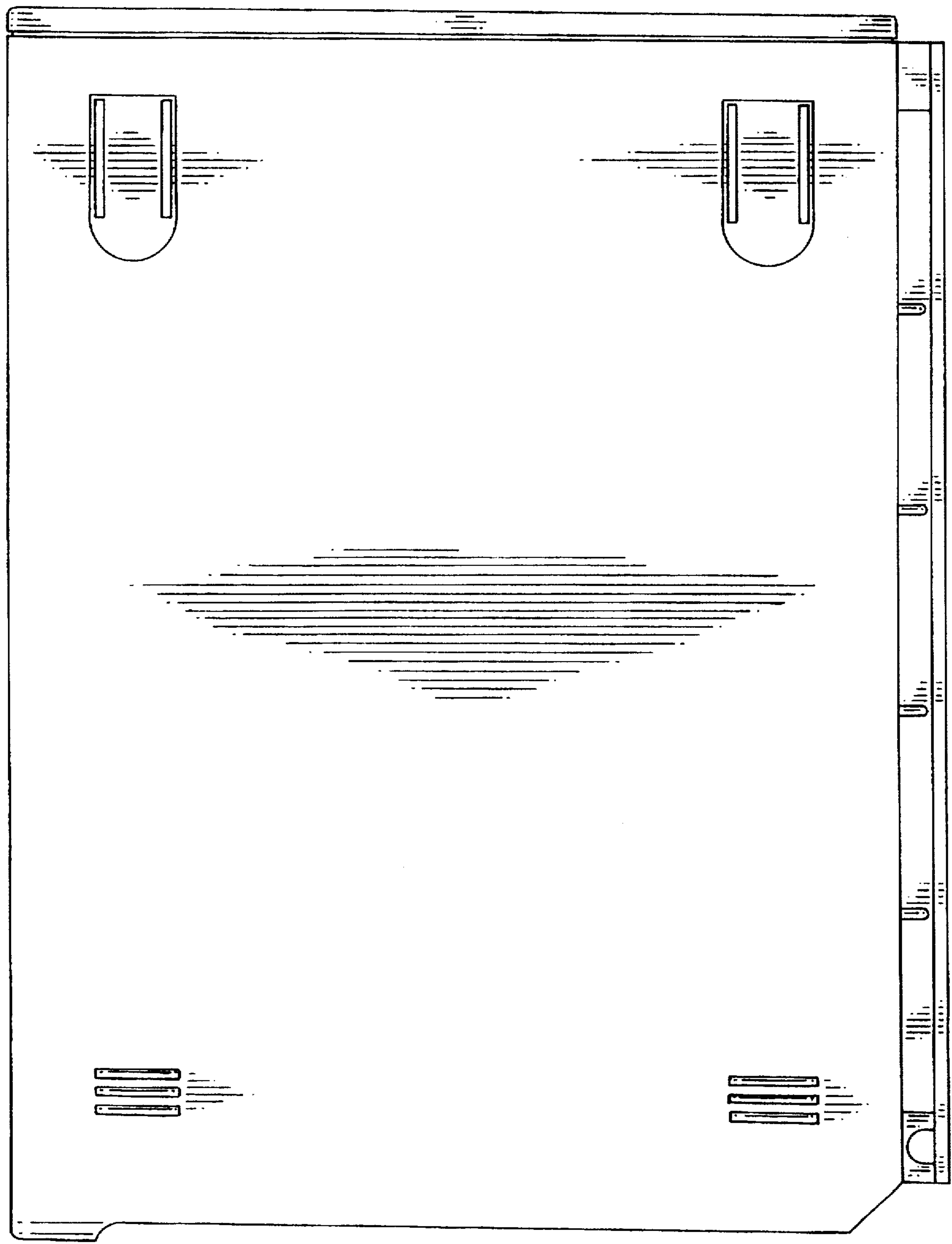


FIG. 5

FIG. 6



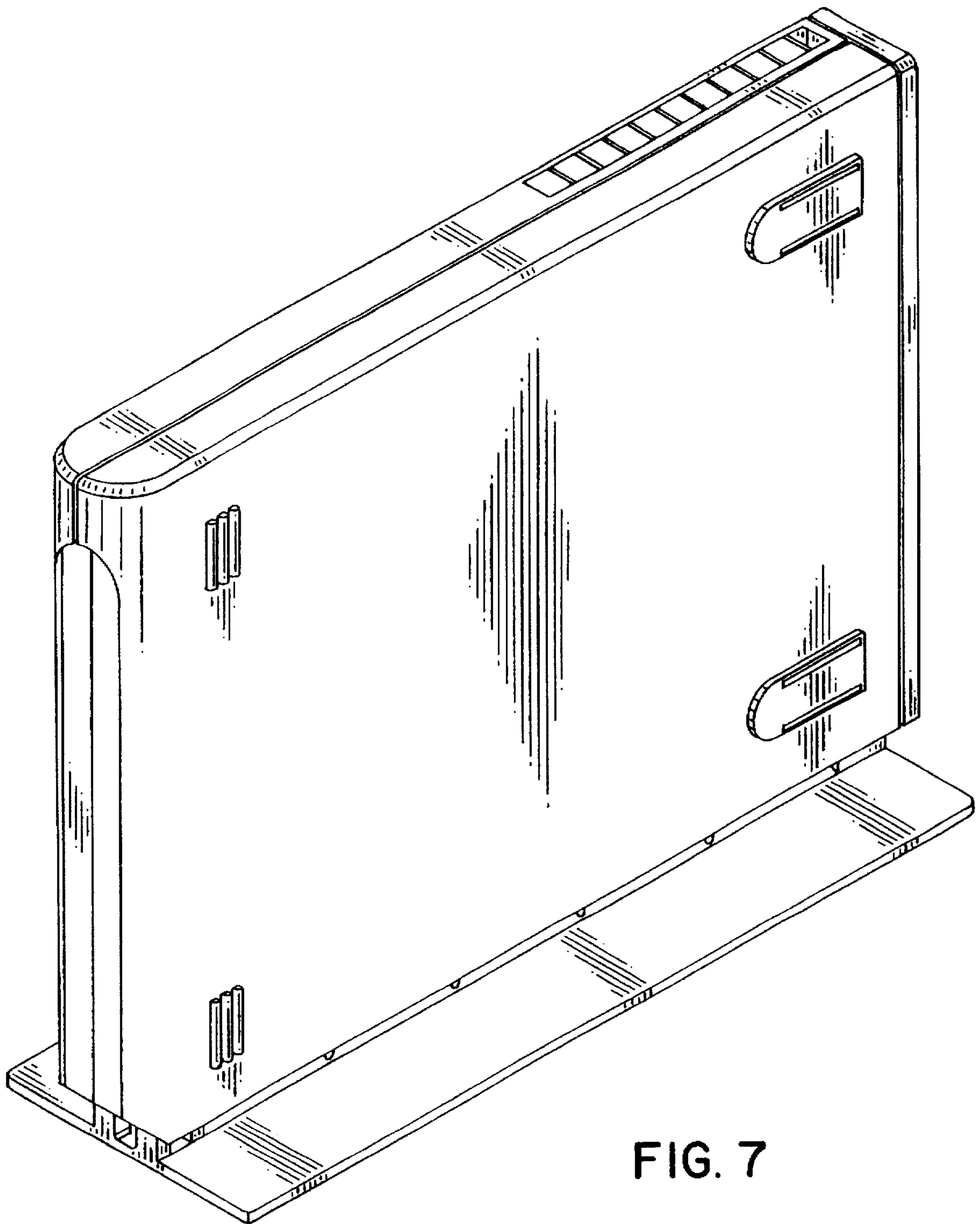


FIG. 7