



US00D396029S

# United States Patent [19]

Cucheran et al.

[11] Patent Number: **Des. 396,029**

[45] Date of Patent: **\*\*Jul. 14, 1998**

[54] **SUPPORT MEMBER FOR A VEHICLE ARTICLE CARRIER**

[75] Inventors: **John S. Cucheran**, Lake Orion; **Victor M. Bogdan**, Northville; **Jon D. Sparham**, Waterford, all of Mich.

[73] Assignee: **JAC Products, Inc.**, Ann Arbor, Mich.

[\*\*] Term: **14 Years**

4,299,346	11/1981	Helm	224/325
4,323,182	4/1982	Bott	224/321
4,342,411	8/1982	Bott	224/319
4,406,386	9/1983	Rasor et al.	224/321
4,448,337	5/1984	Cronce	224/321
4,767,041	8/1988	Stapleton	224/326
4,834,448	5/1989	Sakamoto et al.	224/309 X
5,069,377	12/1991	Baughman	224/326
5,470,003	11/1995	Cucheran	224/316

[21] Appl. No.: **53,669**

[22] Filed: **Apr. 29, 1996**

*Primary Examiner*—James Gandy  
*Assistant Examiner*—Stacia Sinuik  
*Attorney, Agent, or Firm*—Harness, Dickey & Pierce, PLC

[51] **LOC (6) Cl.** ..... **12-16**

[52] **U.S. Cl.** ..... **D12/414**

[58] **Field of Search** ..... D12/400, 412-414, D12/420; 224/309, 319-322, 329, 331, 326

[57] **CLAIM**

The ornamental design for a support member for a vehicle carrier, as shown and described.

### [56] References Cited

#### U.S. PATENT DOCUMENTS

D. 215,278	9/1969	Bott	D12/414
D. 250,461	12/1978	Bott	D12/414
D. 250,464	12/1978	Bott	D12/414
D. 276,989	1/1985	Whitney	D12/414
D. 283,117	3/1986	Bott	D12/414
D. 294,340	2/1988	Robson	D12/414
D. 297,628	9/1988	Robson	D12/414
D. 307,883	5/1990	Carr	D12/414
D. 309,126	7/1990	Carr	D12/414
D. 312,234	11/1990	Rasor et al.	D12/414
D. 317,744	6/1991	Bott	D12/414
D. 325,552	4/1992	Stapleton et al.	D12/414
3,724,730	4/1973	Olsen et al.	224/309

**DESCRIPTION**

FIG. 1 is a perspective view of a support member for a vehicle article carrier showing my new design;  
 FIG. 2 is an enlarged view of the support member for a vehicle article carrier shown in FIG. 1;  
 FIG. 3 is a top view thereof;  
 FIG. 4 is a rear view thereof;  
 FIG. 5 is a right side view thereof;  
 FIG. 6 is a front view thereof; and,  
 FIG. 7 is a left side view thereof.

The broken lines in FIG. 1 are meant to indicate a cross bar coupled to the support member, a slat upon which the support member rests and a portion of an outer body surface of a vehicle, none of which form any part of the claimed design of the support member.

**1 Claim, 3 Drawing Sheets**

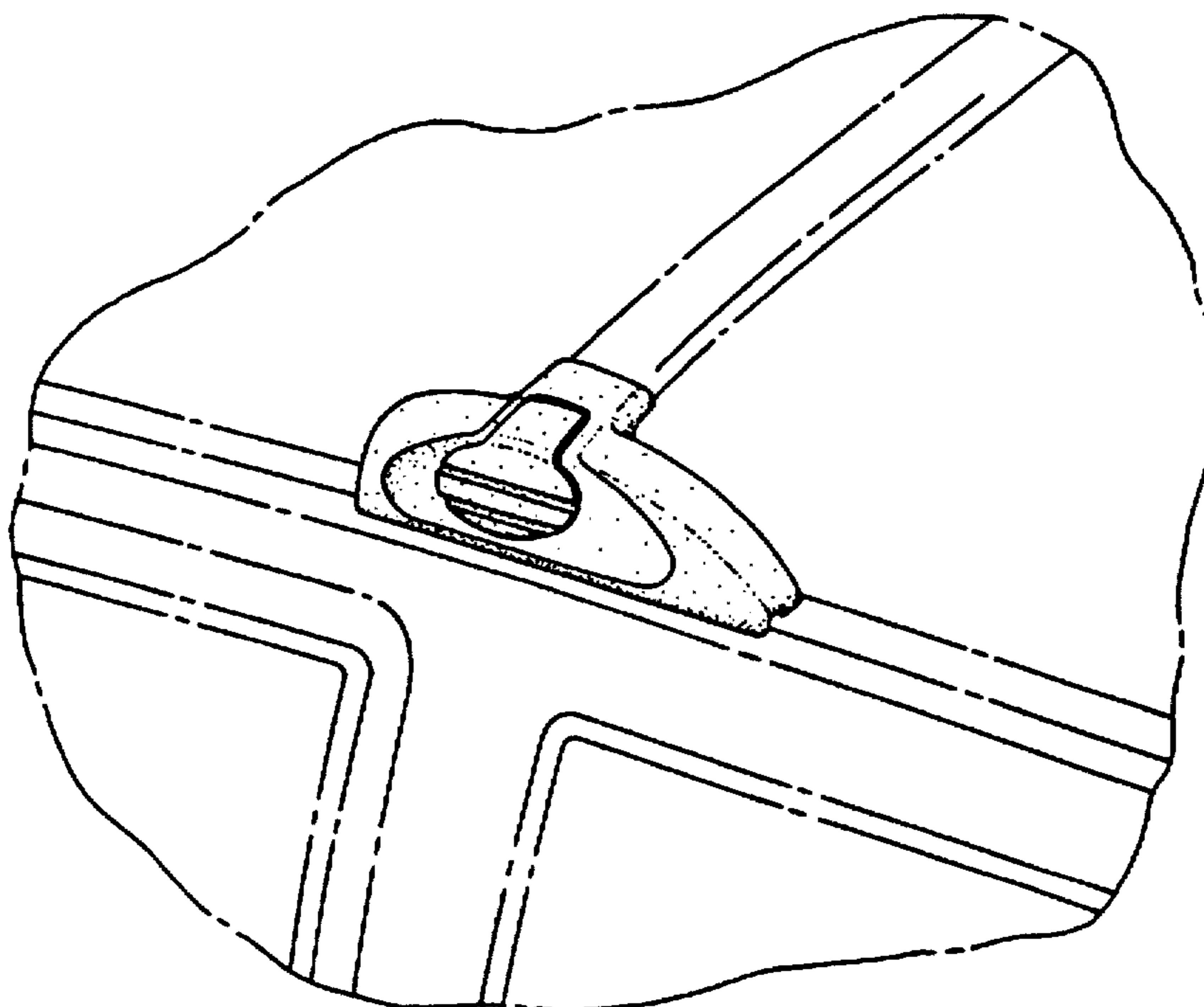


FIG 1

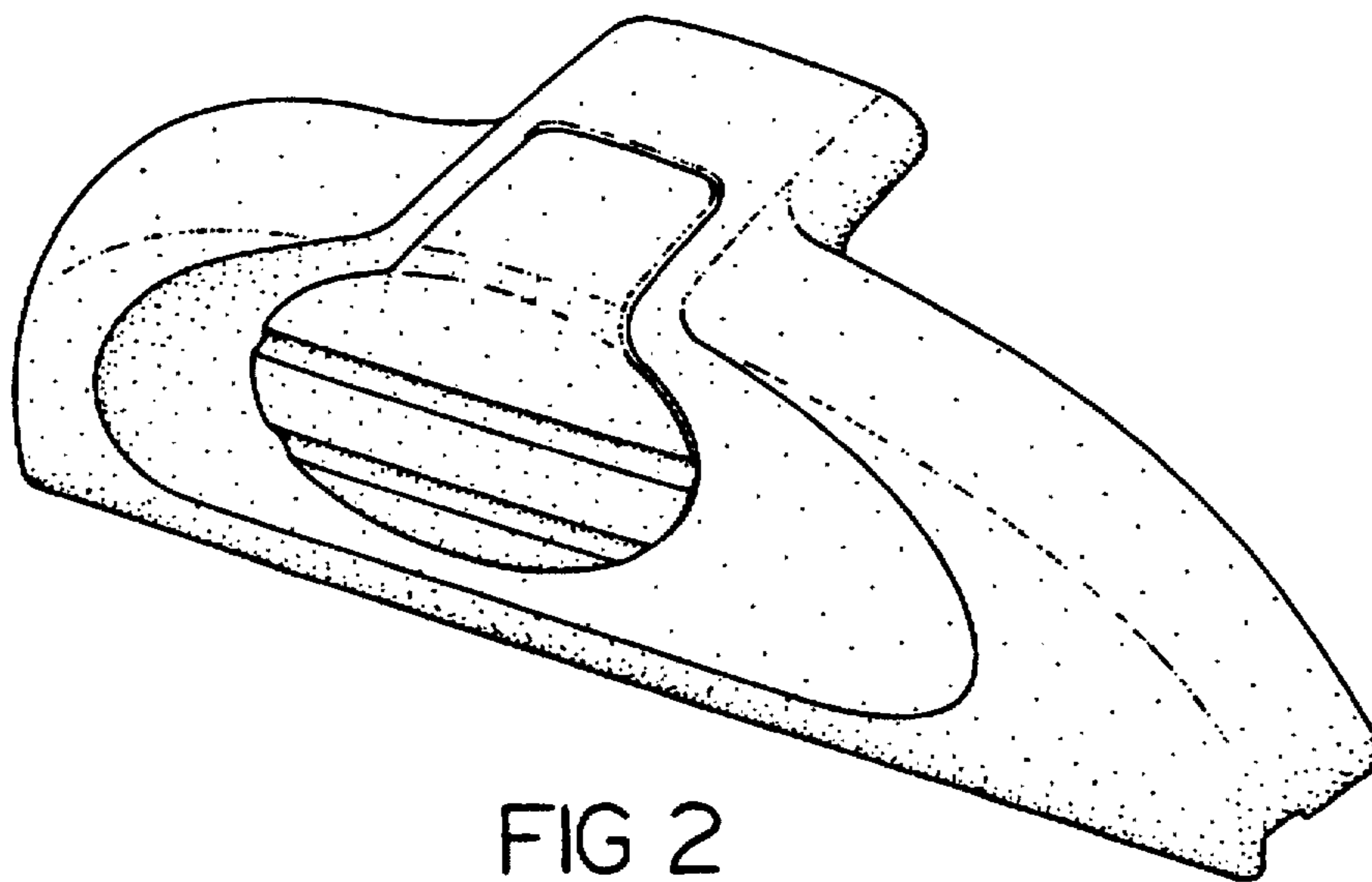
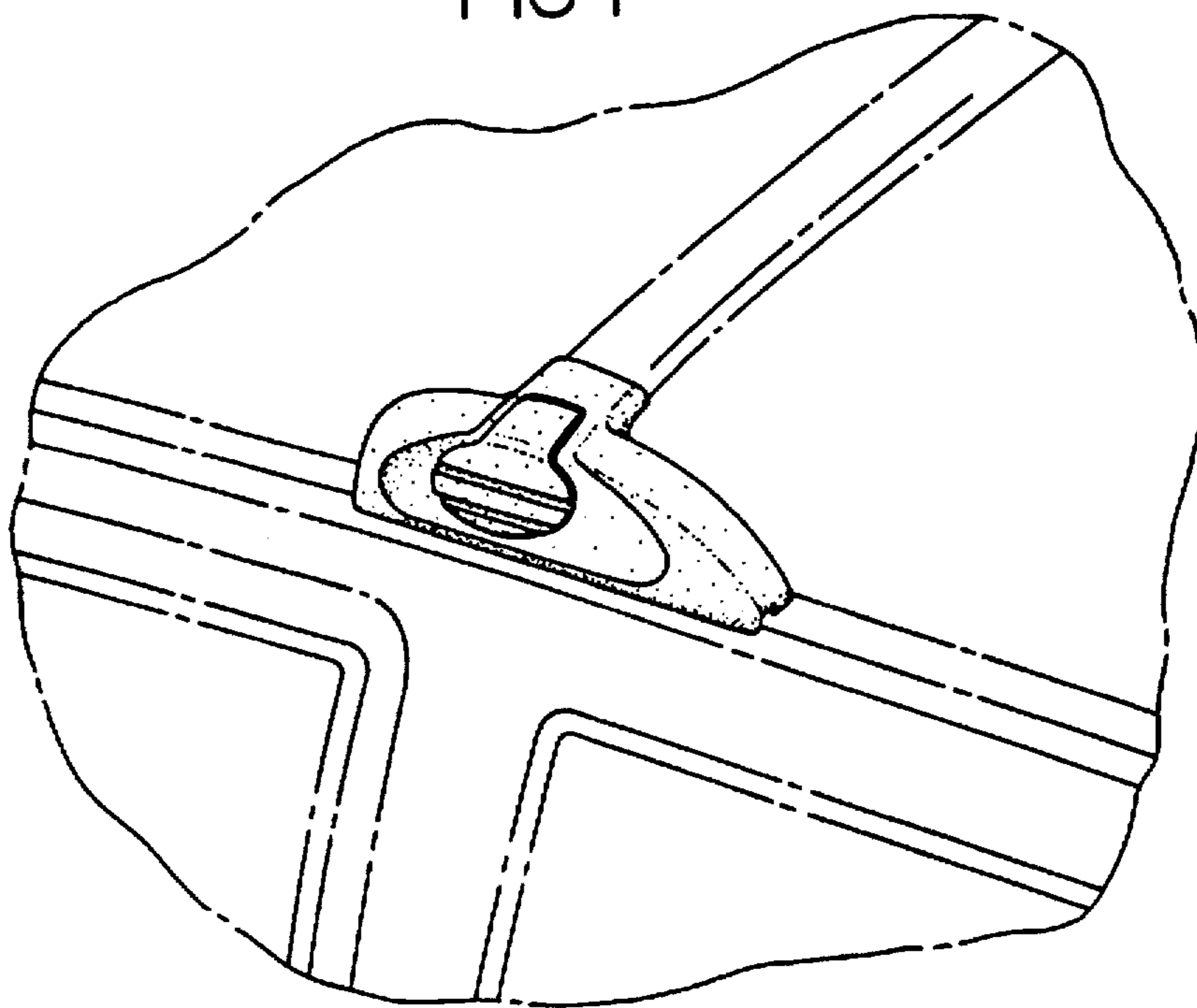


FIG 2

FIG 3

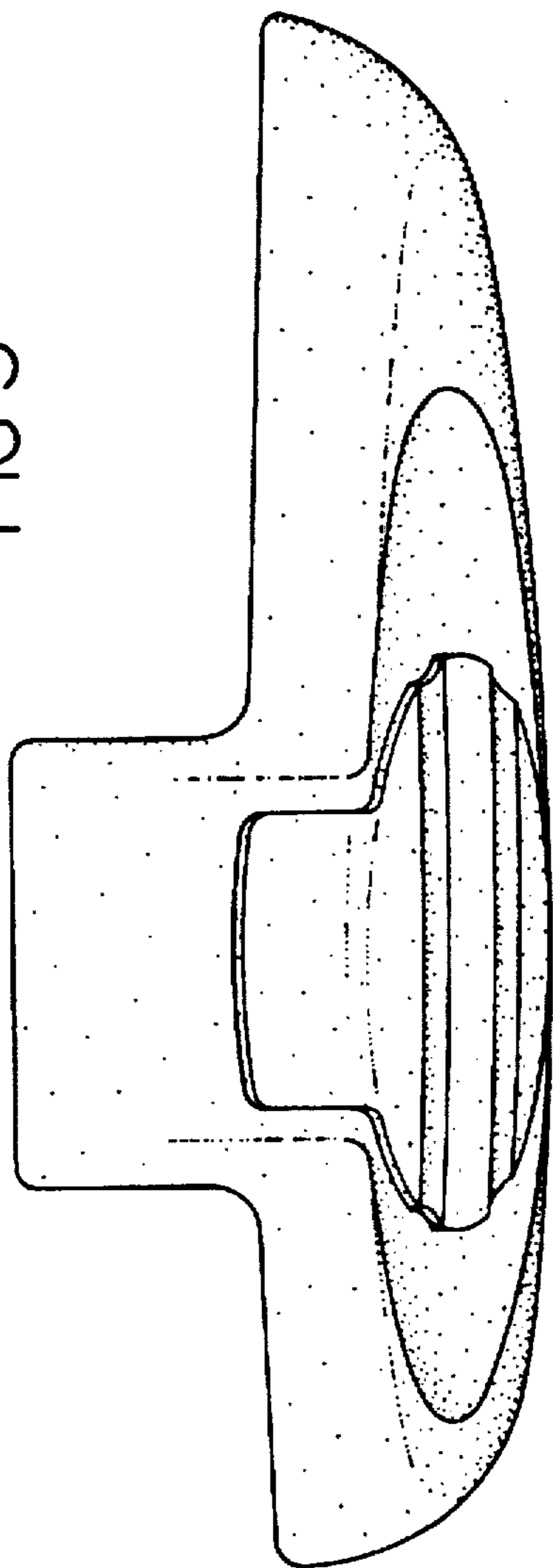


FIG 5

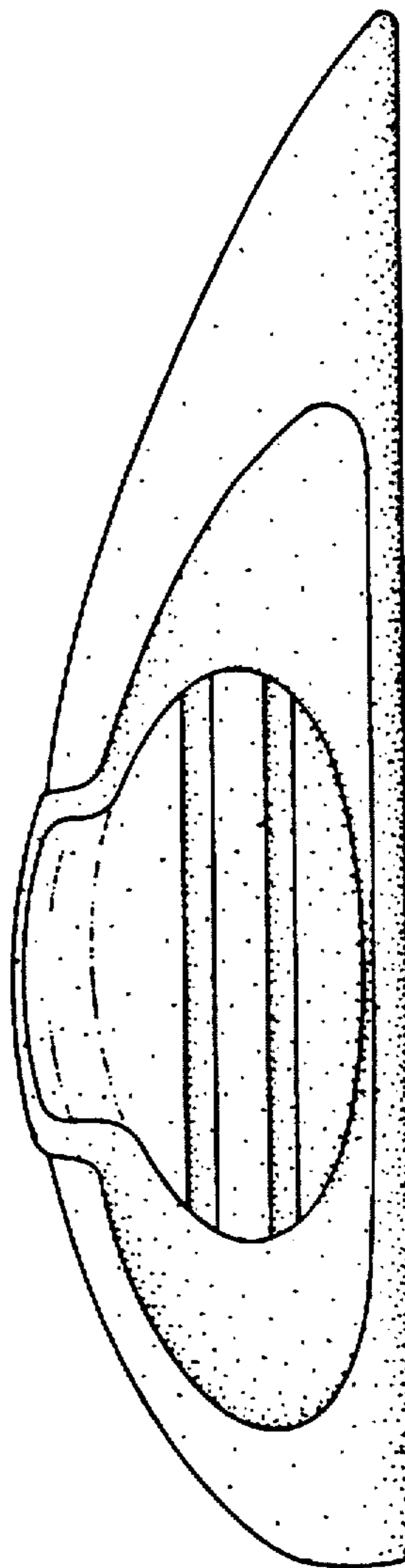


FIG 4

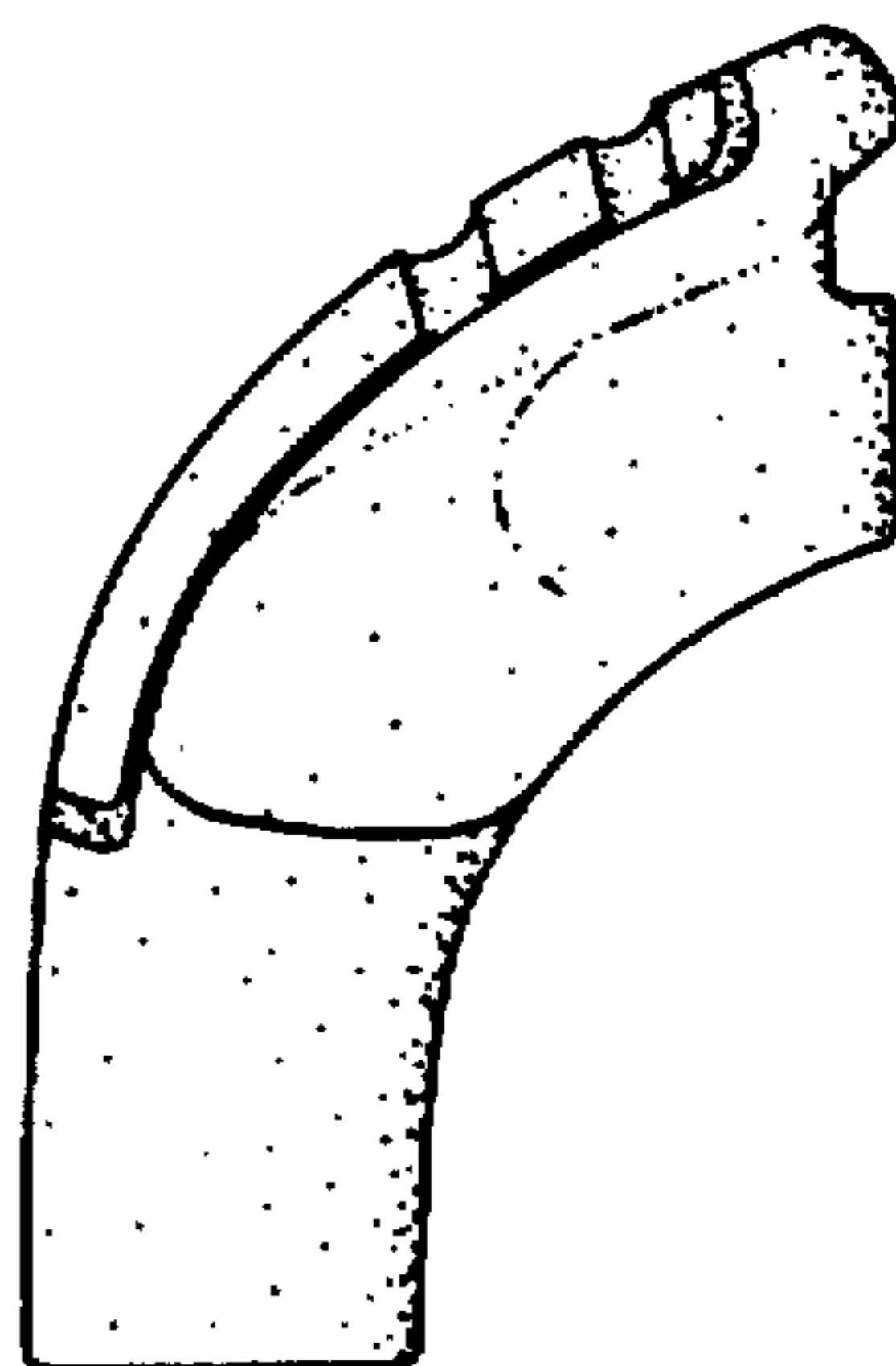


FIG 7

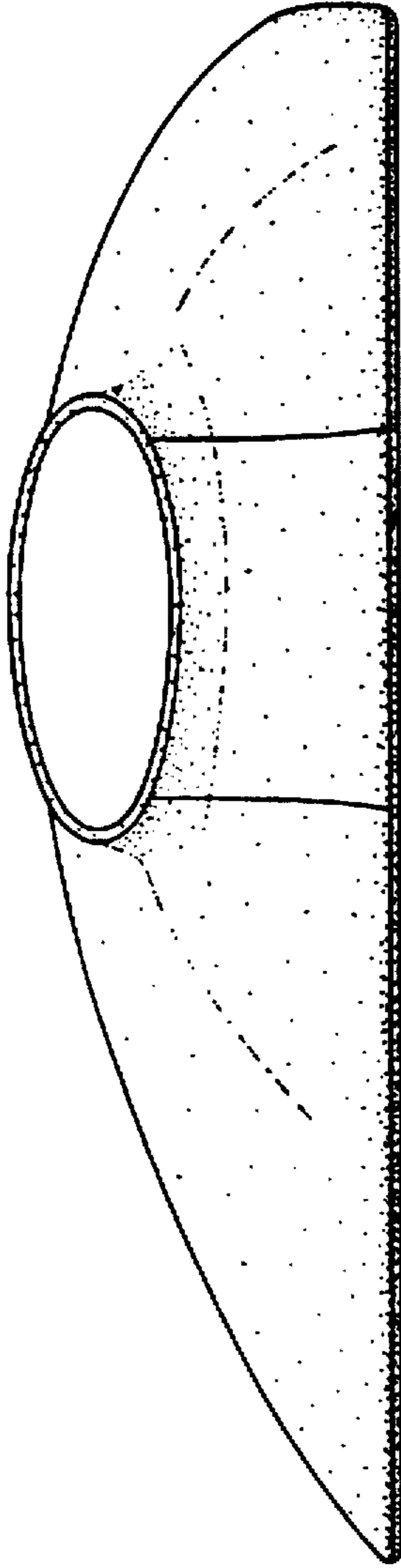


FIG 6

