



US00D396028S

**United States Patent** [19]  
**Needham**

[11] **Patent Number:** **Des. 396,028**

[45] **Date of Patent:** **\*\*Jul. 14, 1998**

[54] **AUTOMOBILE GRILL**

*Primary Examiner*—Melody N. Brown

[76] **Inventor:** **Gregg J. Needham**, 15 Morgan St.,  
Worcester, Mass. 01606

[57] **CLAIM**

The ornamental design for an automobile grill, as shown and described.

[\*\*] **Term:** **14 Years**

**DESCRIPTION**

[21] **Appl. No.:** **69,921**

[22] **Filed:** **Apr. 25, 1997**

[51] **LOC (6) Cl.** ..... **12-16**

[52] **U.S. Cl.** ..... **D12/163**

[58] **Field of Search** ..... **D12/163; 293/115,**  
**293/120; 180/68.6**

FIG. 1 is a front perspective view of an automobile grill showing my new design;

FIG. 2 is a right side elevational view thereof, the left side being a mirror image of that shown;

FIG. 3 is a front elevational view thereof;

FIG. 4 is a top plan view thereof;

FIG. 5 is a bottom plan view thereof;

FIG. 6 is a rear elevation view thereof;

FIG. 7 is a front perspective view of an automobile grill showing a second embodiment of my new design; and,

FIG. 8 is a front elevational view thereof.

The side, top and bottom views are the same in appearance as in FIGS. 2, 4 and 5 and the rear view is substantially similar in appearance as in FIG. 6.

[56] **References Cited**

**U.S. PATENT DOCUMENTS**

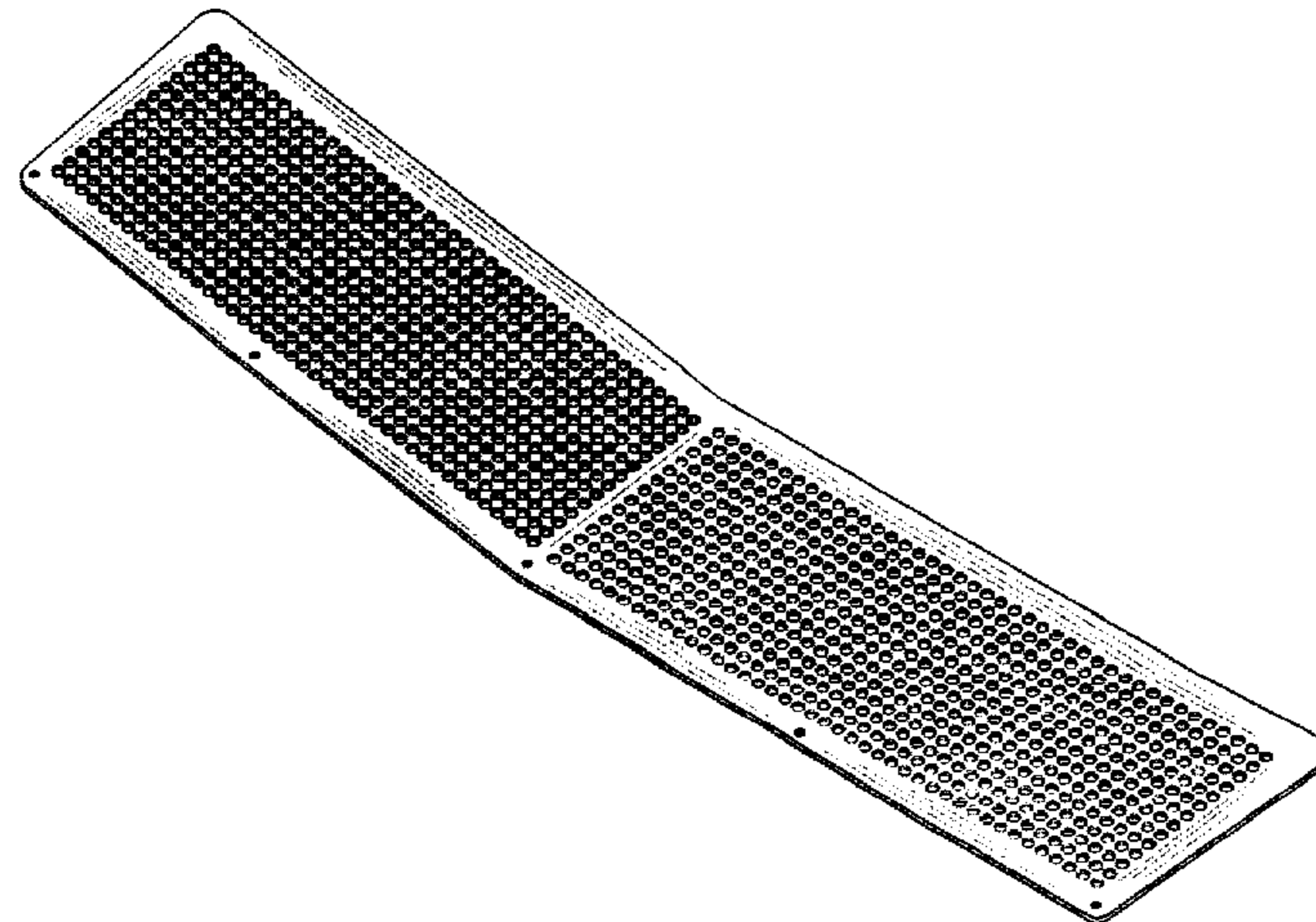
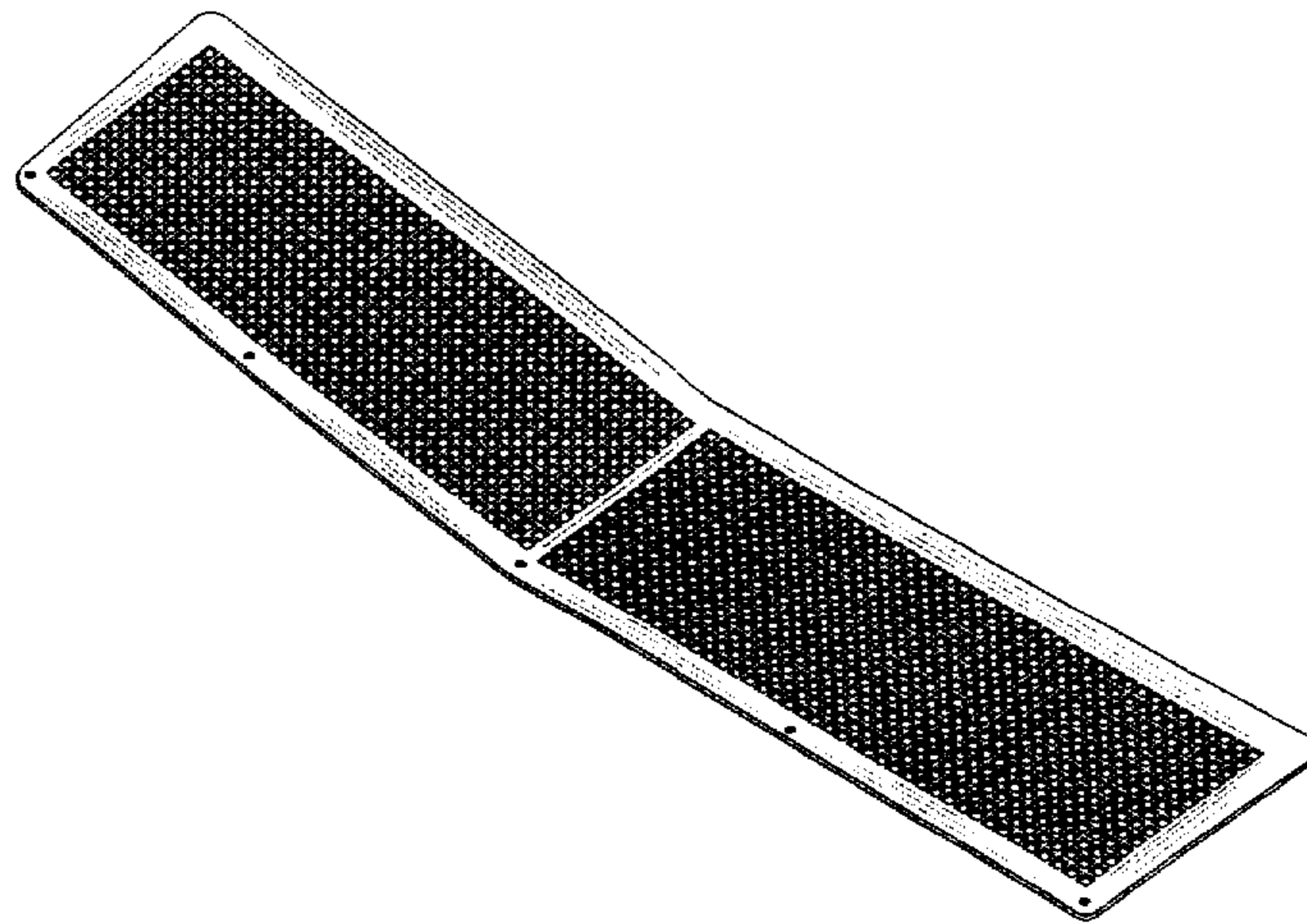
D. 272,240	1/1984	Berg	.....	D12/163
D. 361,968	9/1995	Oyama	.....	D12/163
4,834,436	5/1989	Nguyen	.....	293/115
4,917,203	4/1990	Sacco et al.	.....	180/68.6

**OTHER PUBLICATIONS**

Motor Trend Sep. 1994, p. 57, the front grill of the BMW325.

Road & Track, Jun. 1996, p. 75, the front grill of the Jaguar XJR.

**1 Claim, 2 Drawing Sheets**



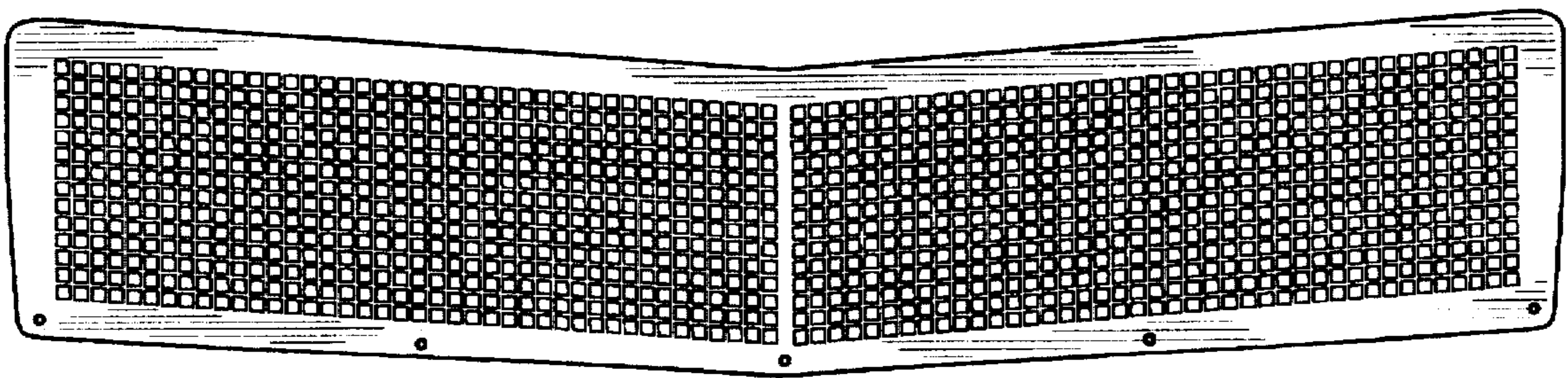
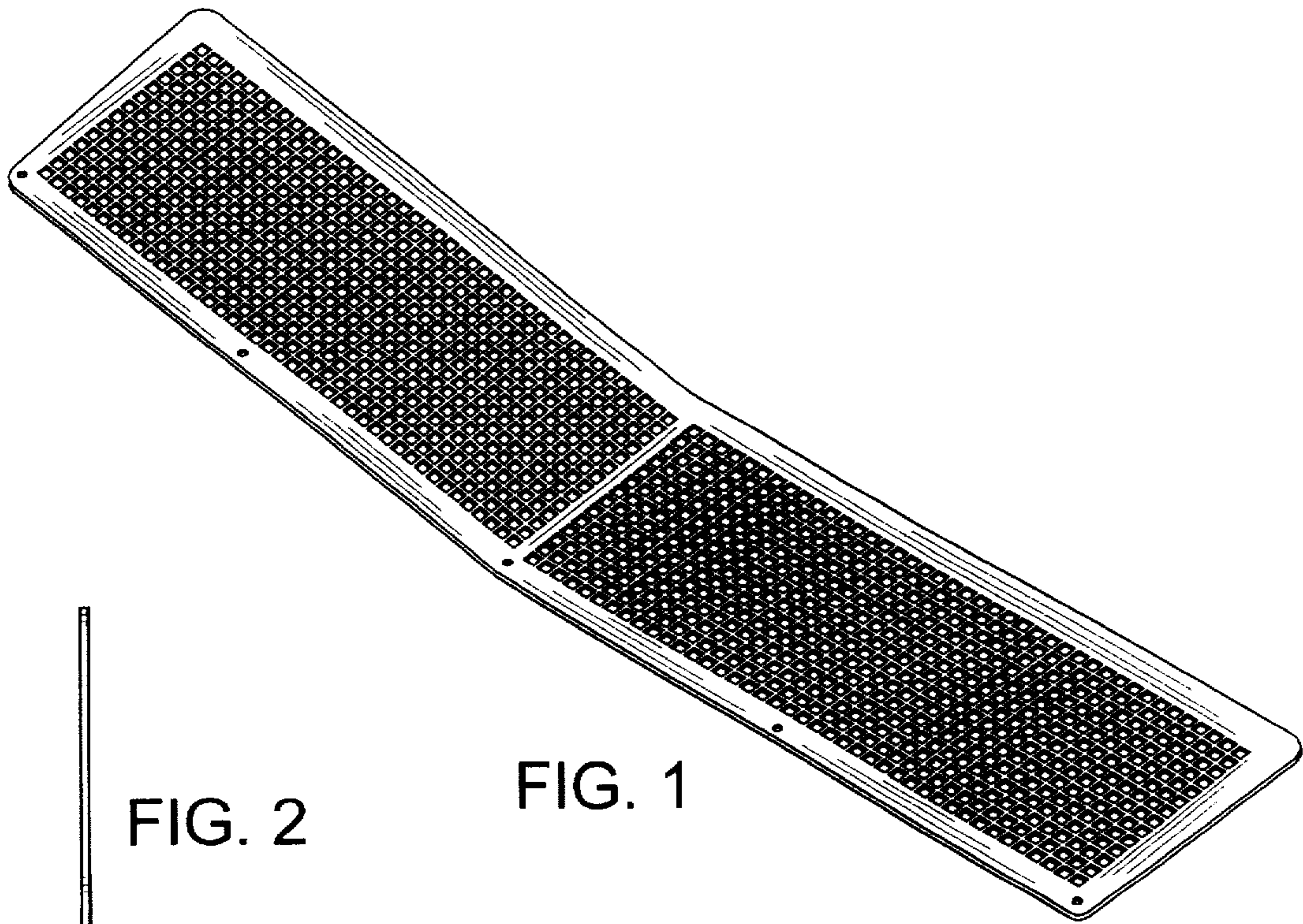


FIG. 3



FIG. 4



FIG. 5

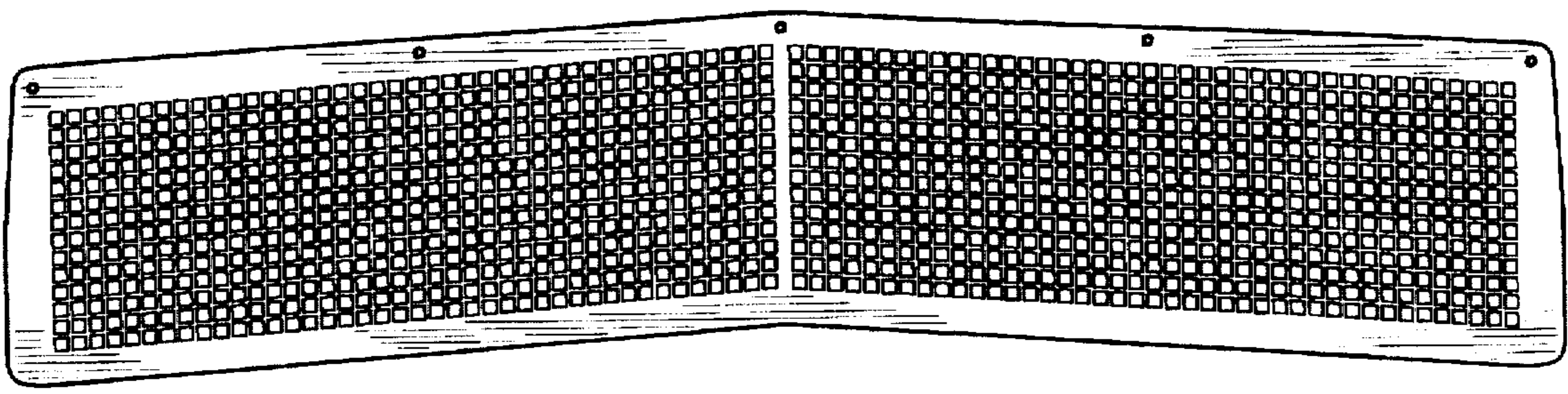


FIG. 6

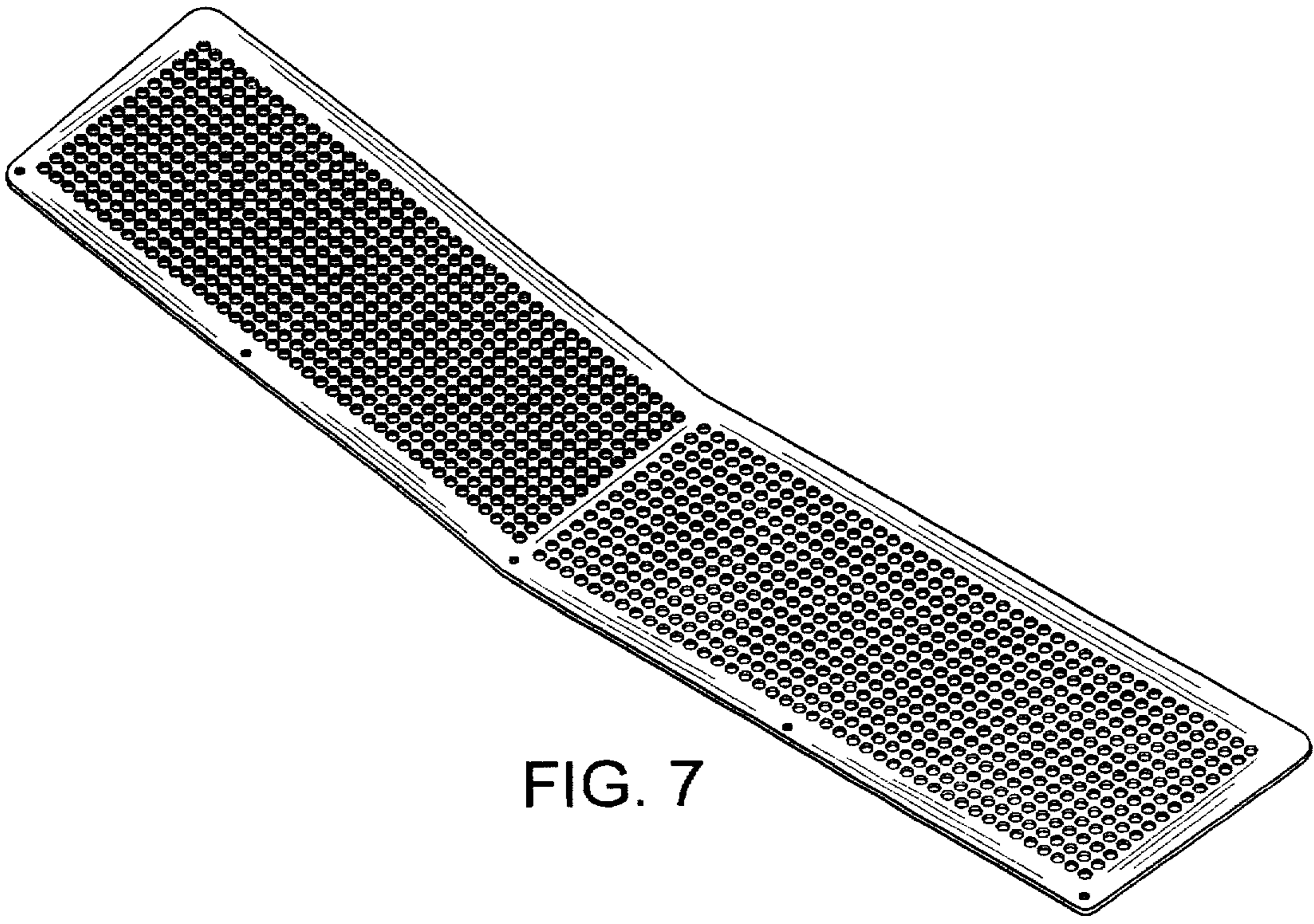


FIG. 7

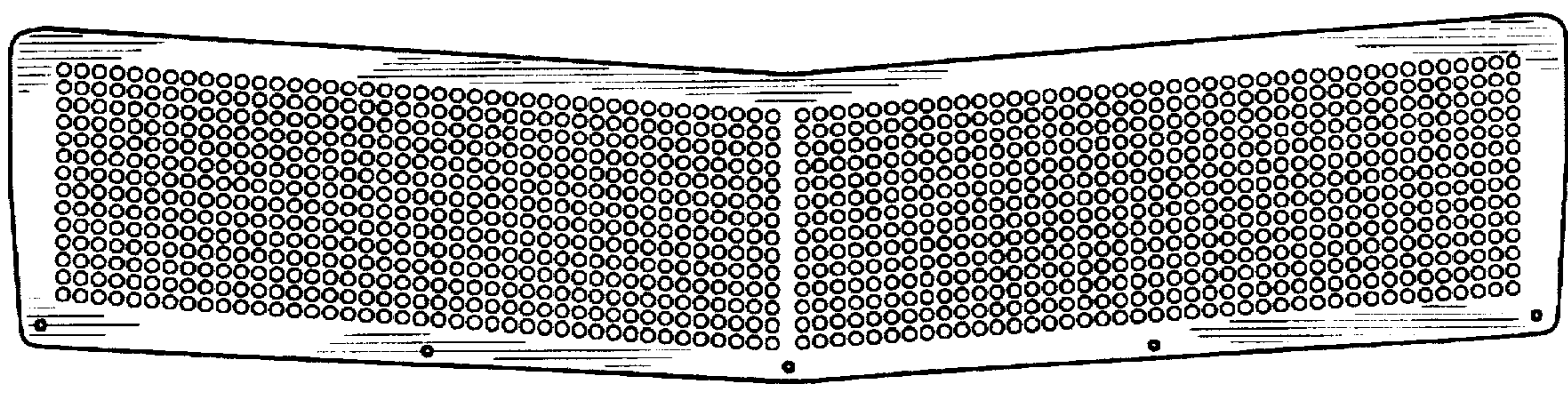


FIG. 8