



US00D396025S

United States Patent [19]

Morrone

[11] Patent Number: **Des. 396,025**

[45] Date of Patent: ****Jul. 14, 1998**

[54] **COMBINED INFANT SEAT AND STROLLER**

[76] Inventor: **Cat Morrone, 1048 Redtail Rd., Audubon, Pa. 19403**

[**] Term: **14 Years**

[21] Appl. No.: **68,213**

[22] Filed: **Mar. 20, 1997**

[51] LOC (6) Cl. **12-12**

[52] U.S. Cl. **D12/129; D6/333**

[58] Field of Search **D12/128-133; 280/30, 643, 644, 647, 650, 688, 642; D6/333**

[56] **References Cited**

U.S. PATENT DOCUMENTS

D. 330,528	10/1992	Allen et al.	D12/128
D. 375,707	11/1996	Yang	D12/129
4,685,688	8/1987	Edwards	280/30

4,834,403	5/1989	Yanus et al.	280/658
4,852,894	8/1989	Dyer	280/30
4,878,680	11/1989	Molnar	280/30
4,896,894	1/1990	Singletary	280/30

Primary Examiner—Kay H. Chin

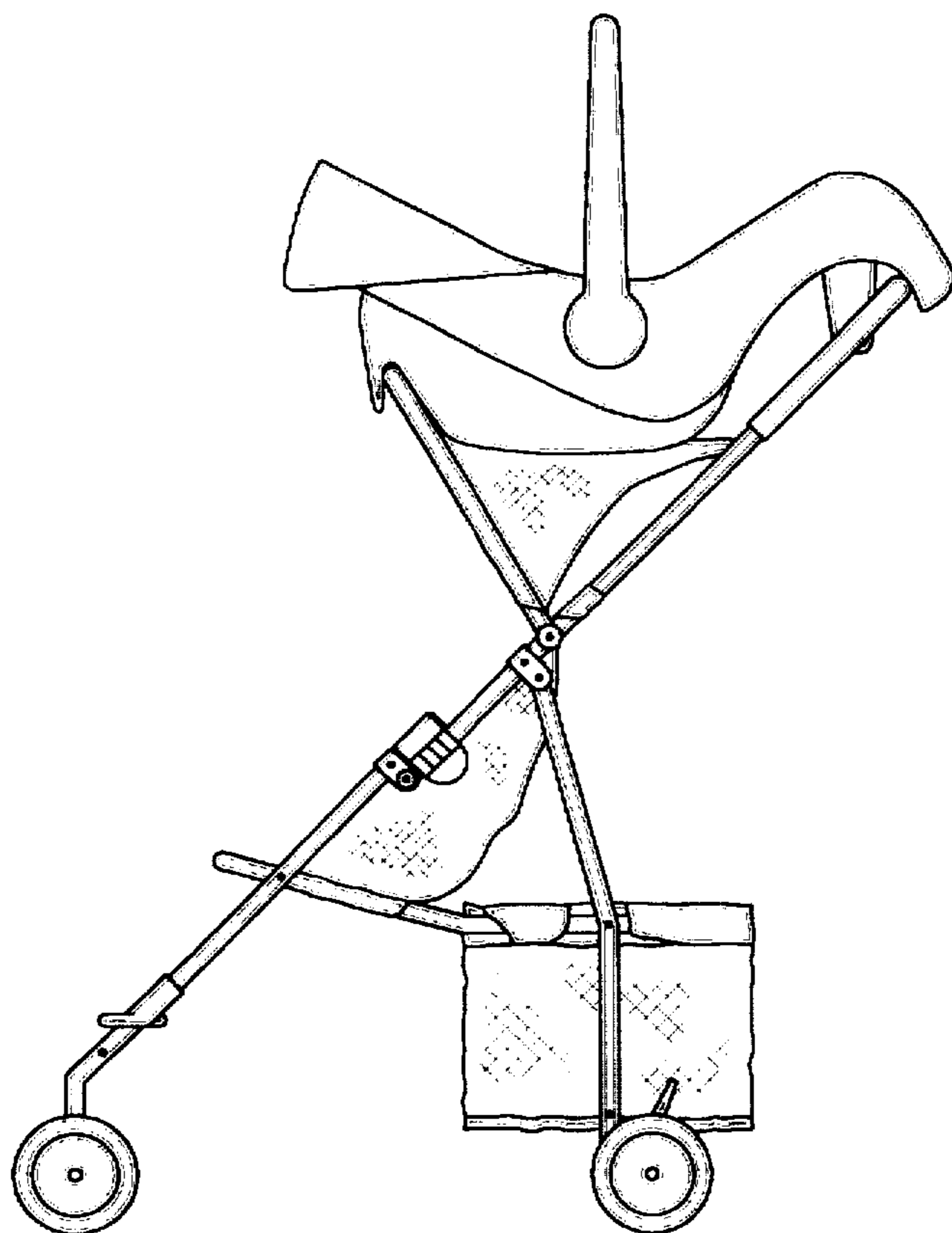
[57] **CLAIM**

The ornamental design for a combined infant seat and stroller, as shown.

DESCRIPTION

FIG. 1 is a left side elevational view of a combined infant seat and stroller showing my new design; FIG. 2 is a right side elevational view thereof; FIG. 3 is a front elevational view thereof; FIG. 4 is a rear elevational view thereof; FIG. 5 is a top plan view thereof; and, FIG. 6 is a bottom plan view thereof.

1 Claim, 3 Drawing Sheets



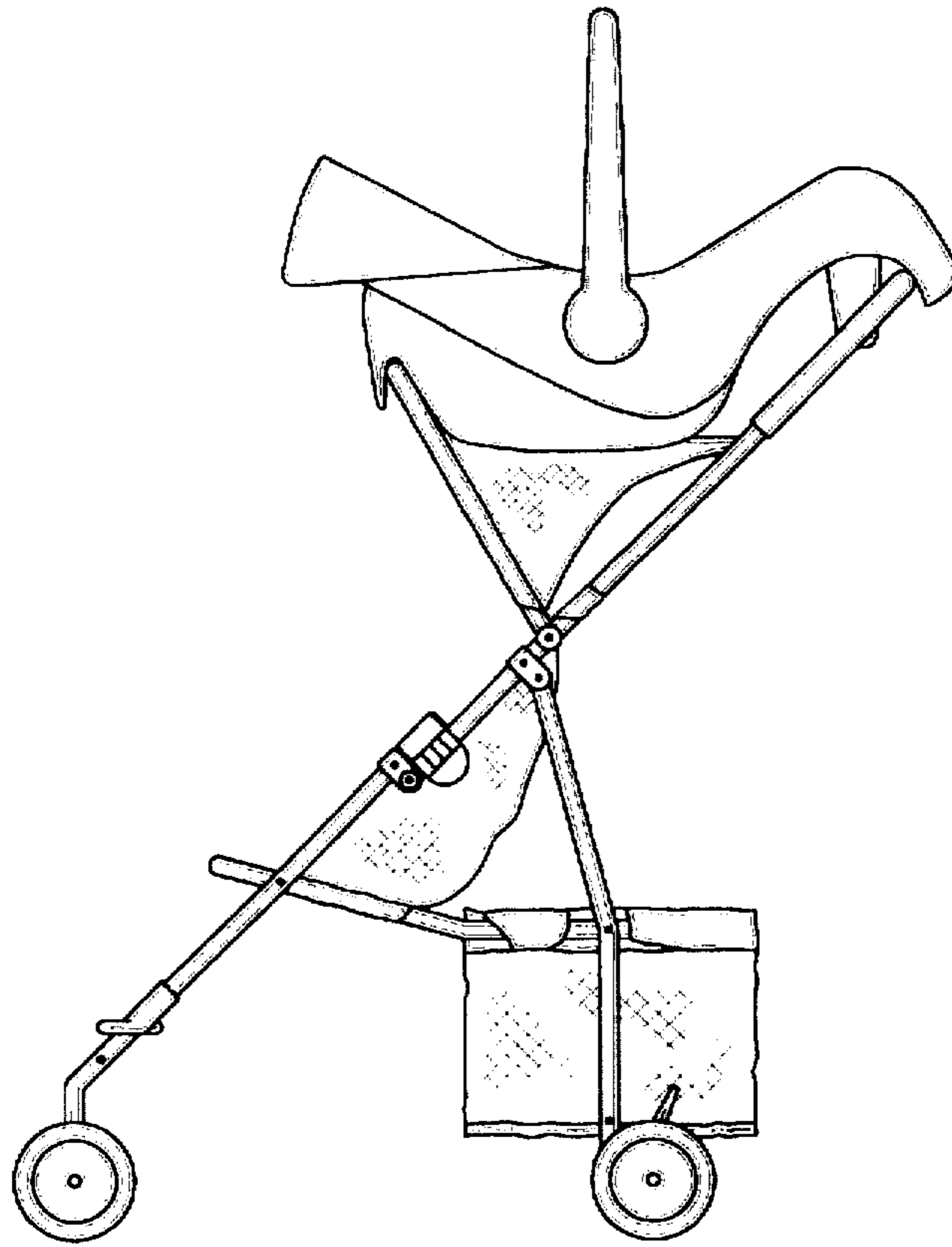


Fig. 1

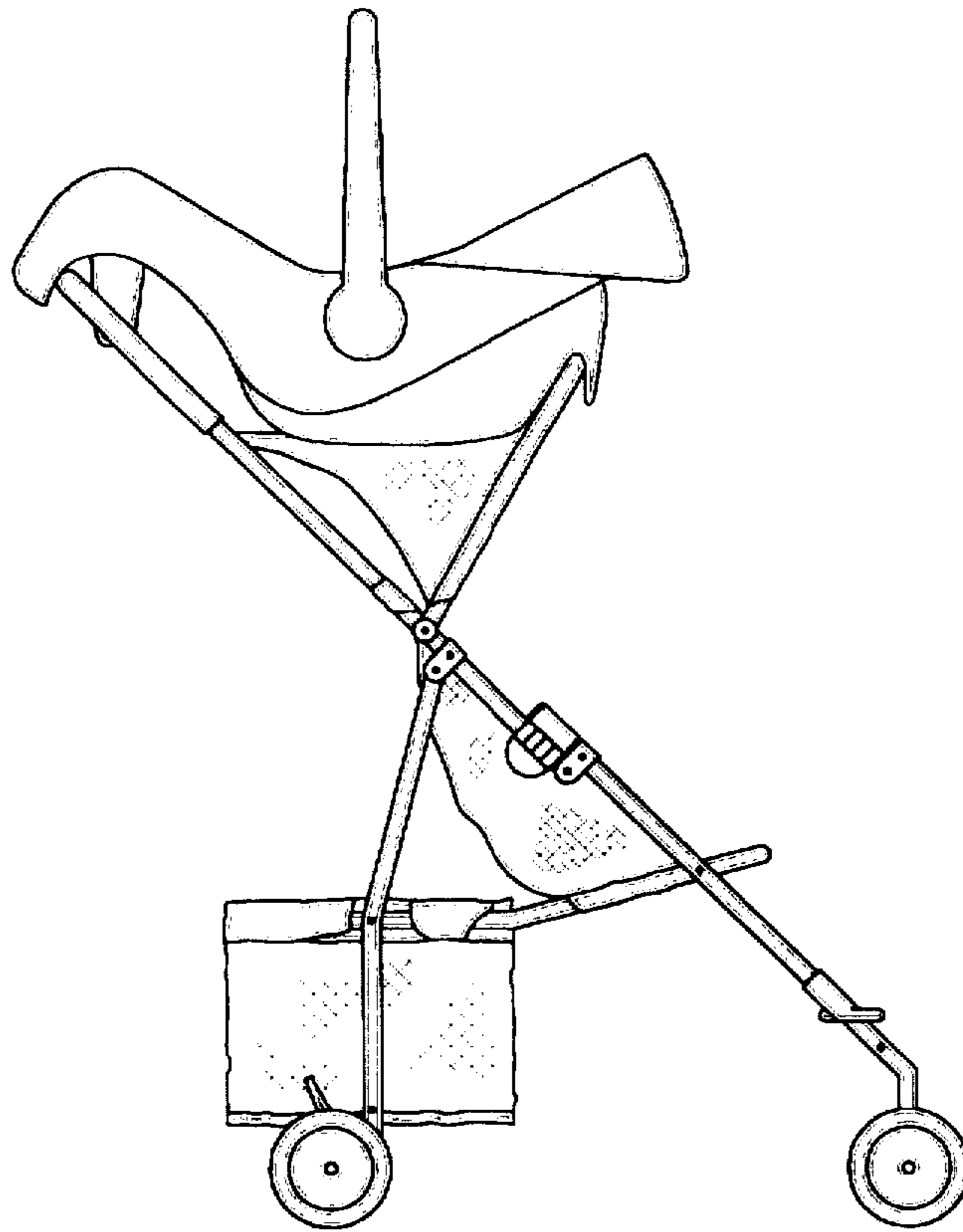


Fig. 2

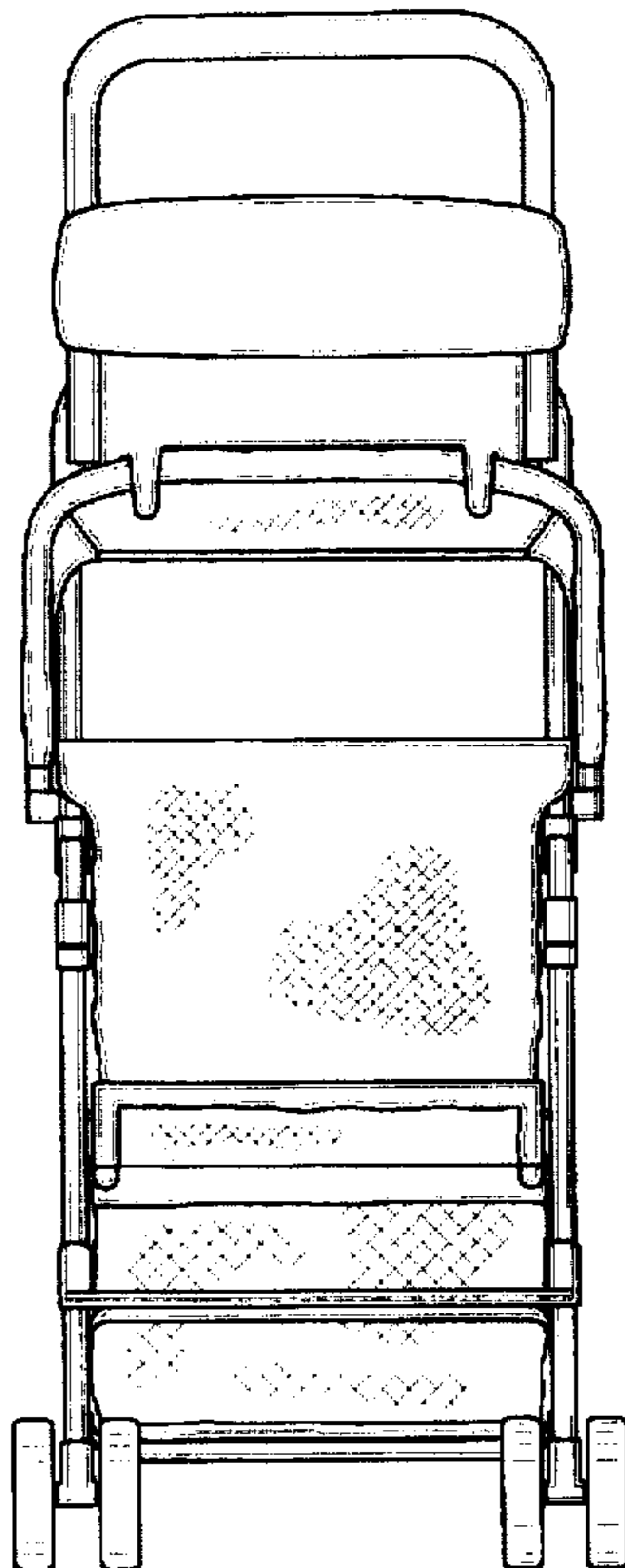


Fig. 3

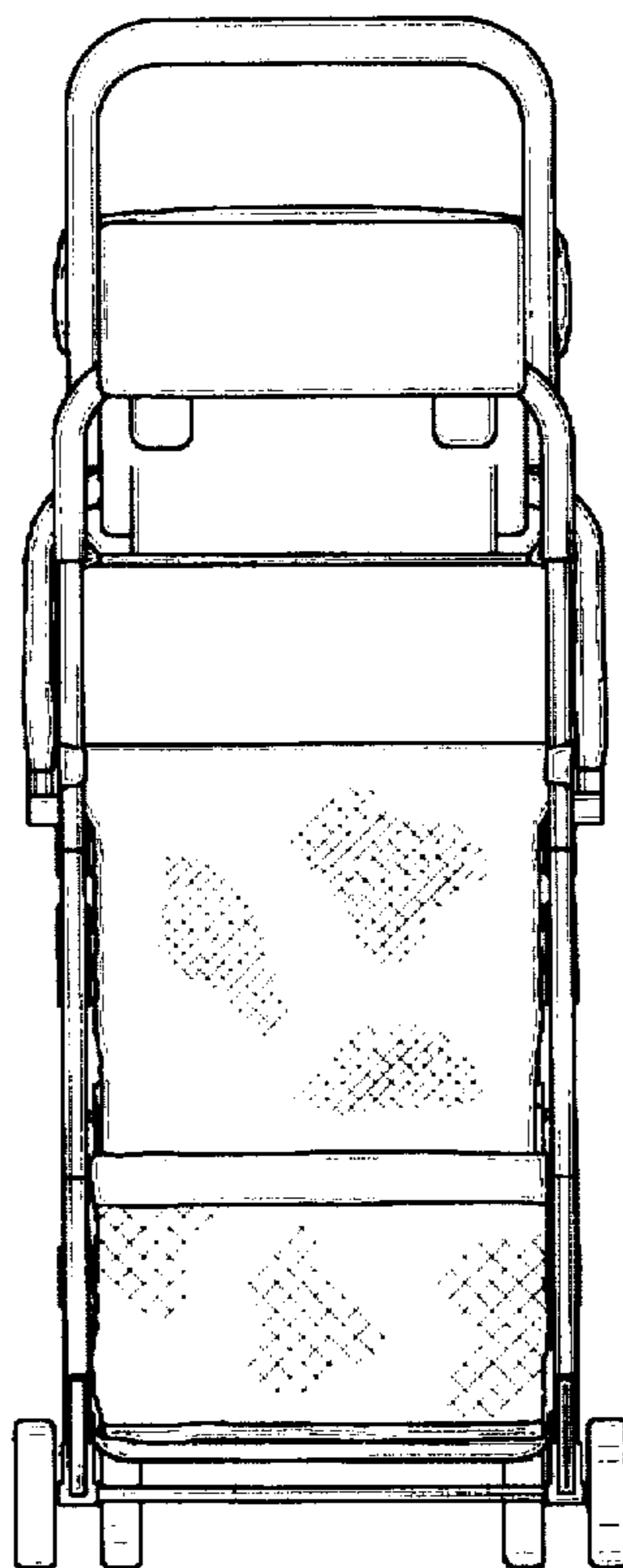


Fig. 4

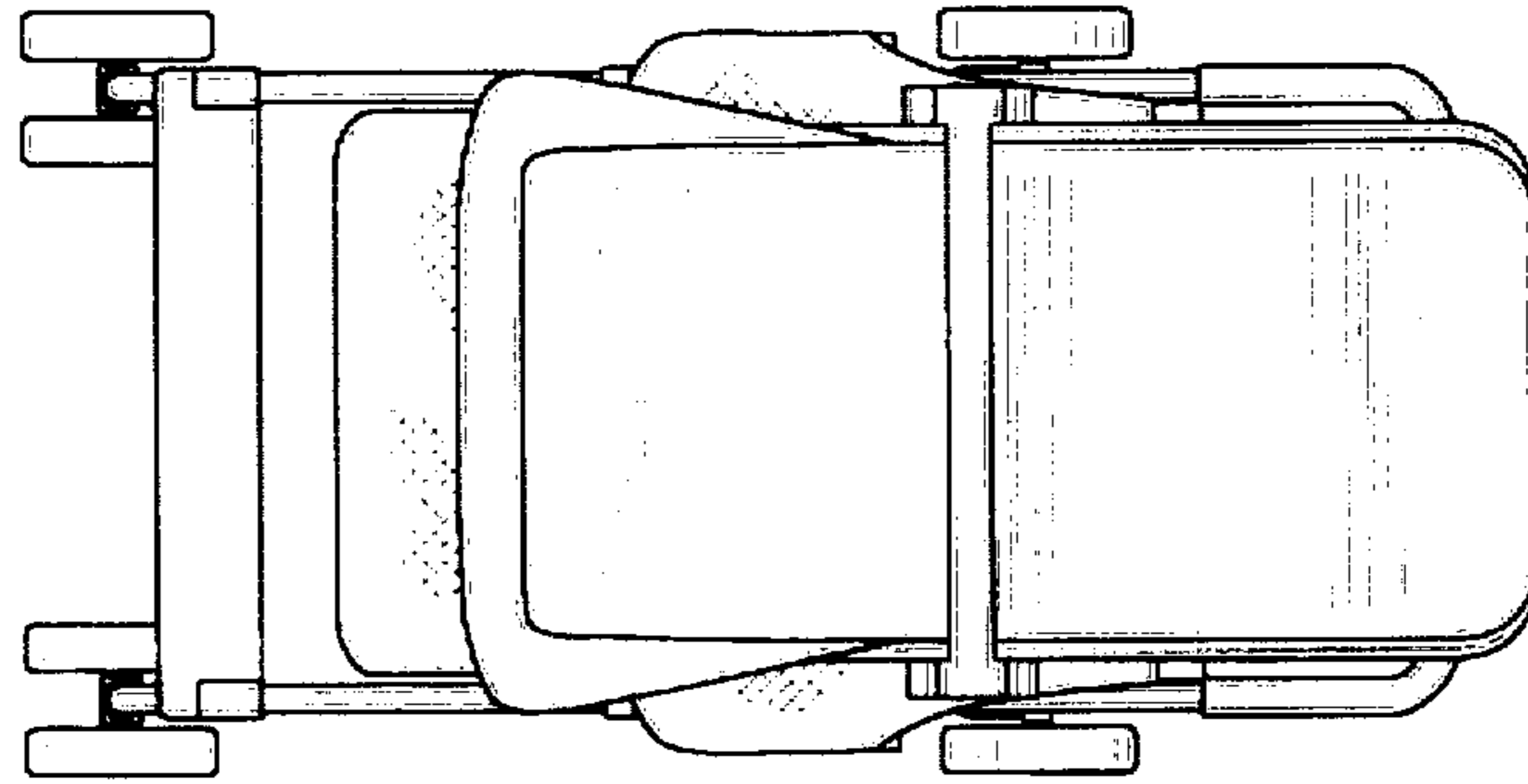


Fig. 5

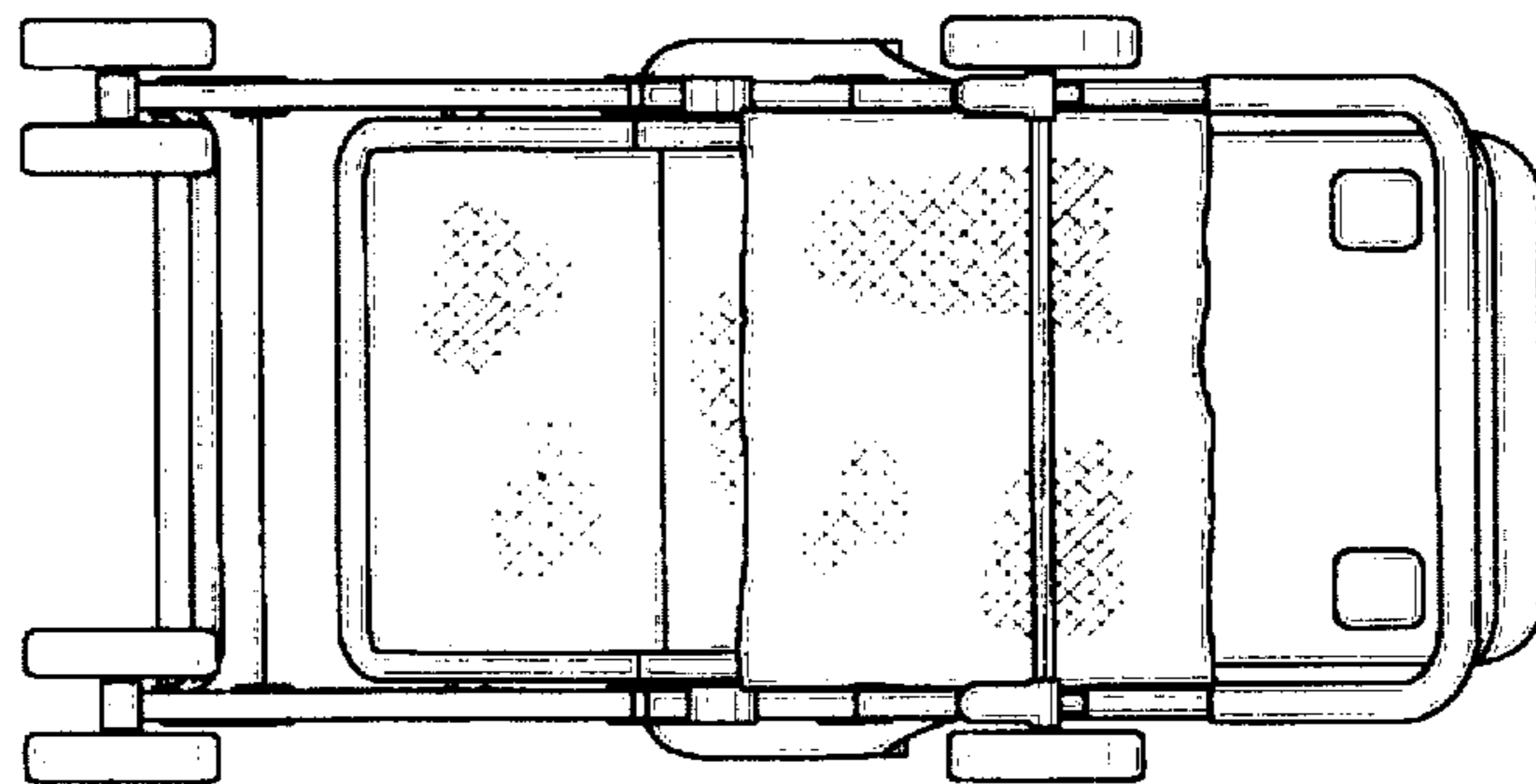


Fig. 6