



US00D396023S

United States Patent [19]
Mello

[11] **Patent Number:** **Des. 396,023**
[45] **Date of Patent:** ****Jul. 14, 1998**

[54] **BEACH CART**
[76] **Inventor:** **Joyce Mello, 234 Bartlett Ave., Sharon Hill, Pa. 19079**
[**] **Term:** **14 Years**
[21] **Appl. No.:** **71,666**
[22] **Filed:** **Jun. 5, 1997**
[51] **LOC (6) Cl.** **12-10**
[52] **U.S. Cl.** **D12/105; D34/15**
[58] **Field of Search** **D12/101, 105, D12/83; D34/12-18; 280/63, 789, 30, 47, 35; 296/181, 184, 22, 24.1**

5,306,029 4/1994 Kaiser, II 280/30
5,383,698 1/1995 Buchholz 296/24.1
5,465,988 11/1995 Dennis 280/47.35
5,480,170 1/1996 Kaiser, II 280/30

Primary Examiner—Melody N. Brown

[57] **CLAIM**

The ornamental design for a beach cart, as shown.

DESCRIPTION

FIG. 1 is a front elevational view of the beach cart of the present invention;
FIG. 2 is a back elevational view of the beach cart of FIG. 1;
FIG. 3 is a left side elevational view of the beach cart of FIG. 1;
FIG. 4 is a right side elevational view of the beach cart of FIG. 1;
FIG. 5 is a top plan view of the beach cart of FIG. 1; and
FIG. 6 is a bottom plan view of the beach cart of FIG. 1.

[56] **References Cited**
U.S. PATENT DOCUMENTS

D. 231,825 6/1974 Daubert D12/105
D. 286,992 12/1986 Doering D12/105
D. 305,008 12/1989 Paye D12/105
D. 373,748 9/1996 Fuller et al. D12/105
5,108,122 4/1992 Beagley 296/24.1 X

1 Claim, 3 Drawing Sheets

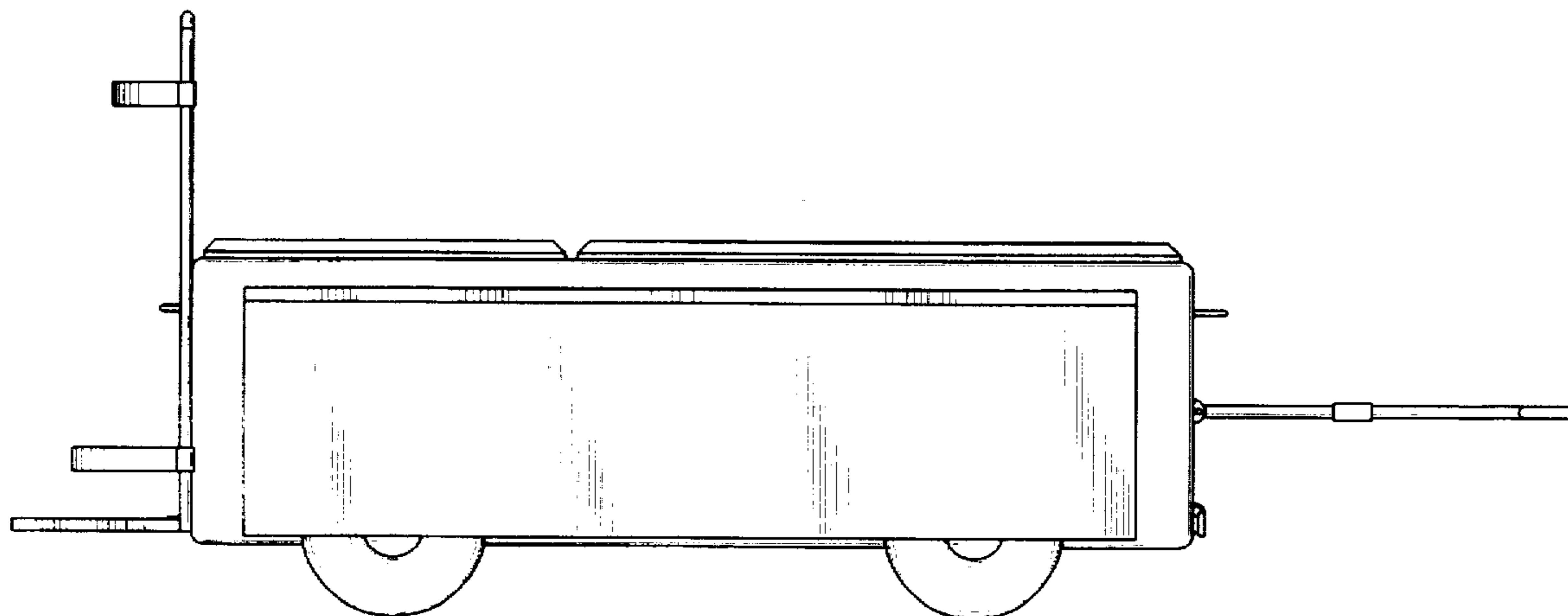


FIG. 1

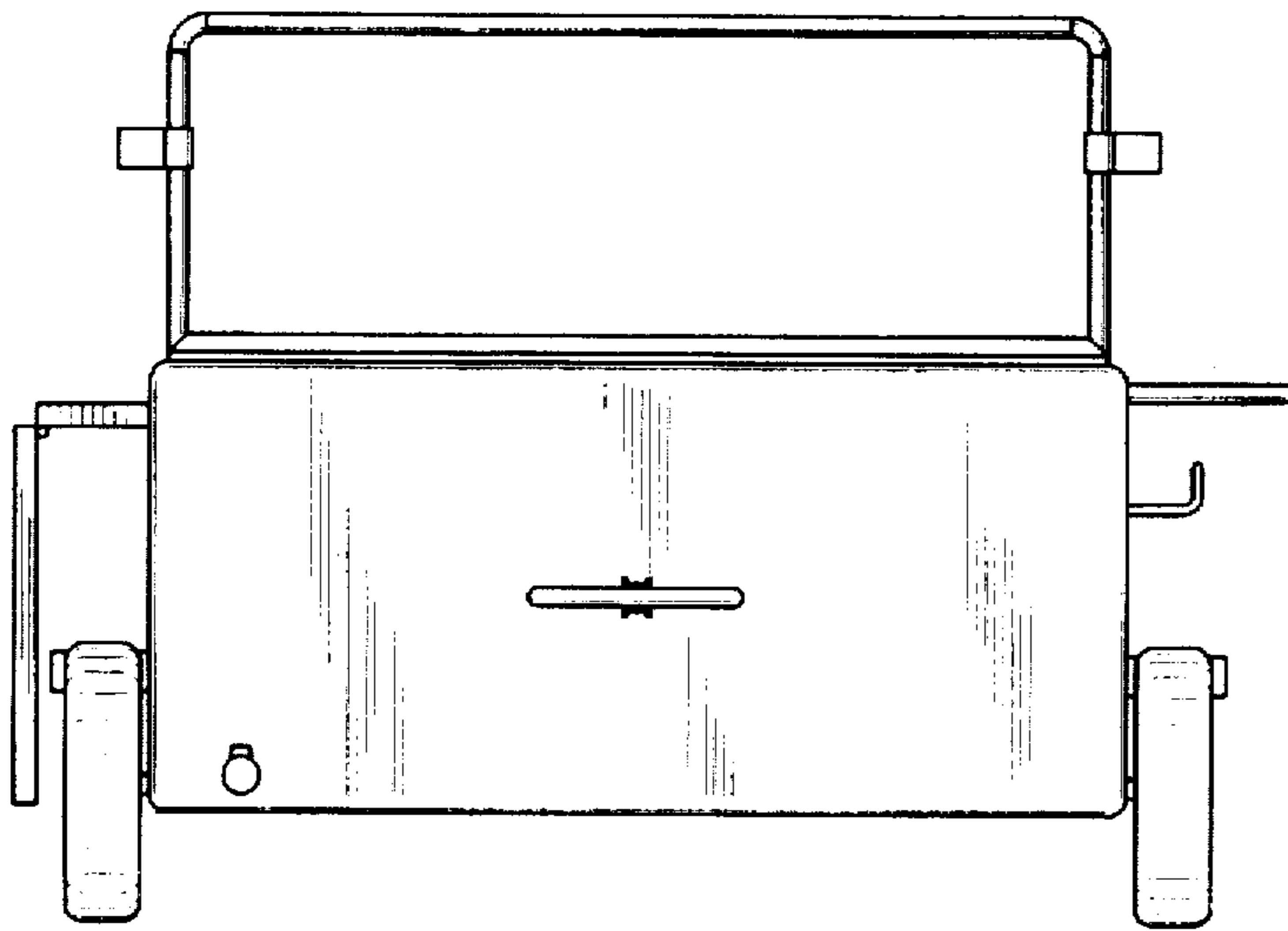


FIG. 2

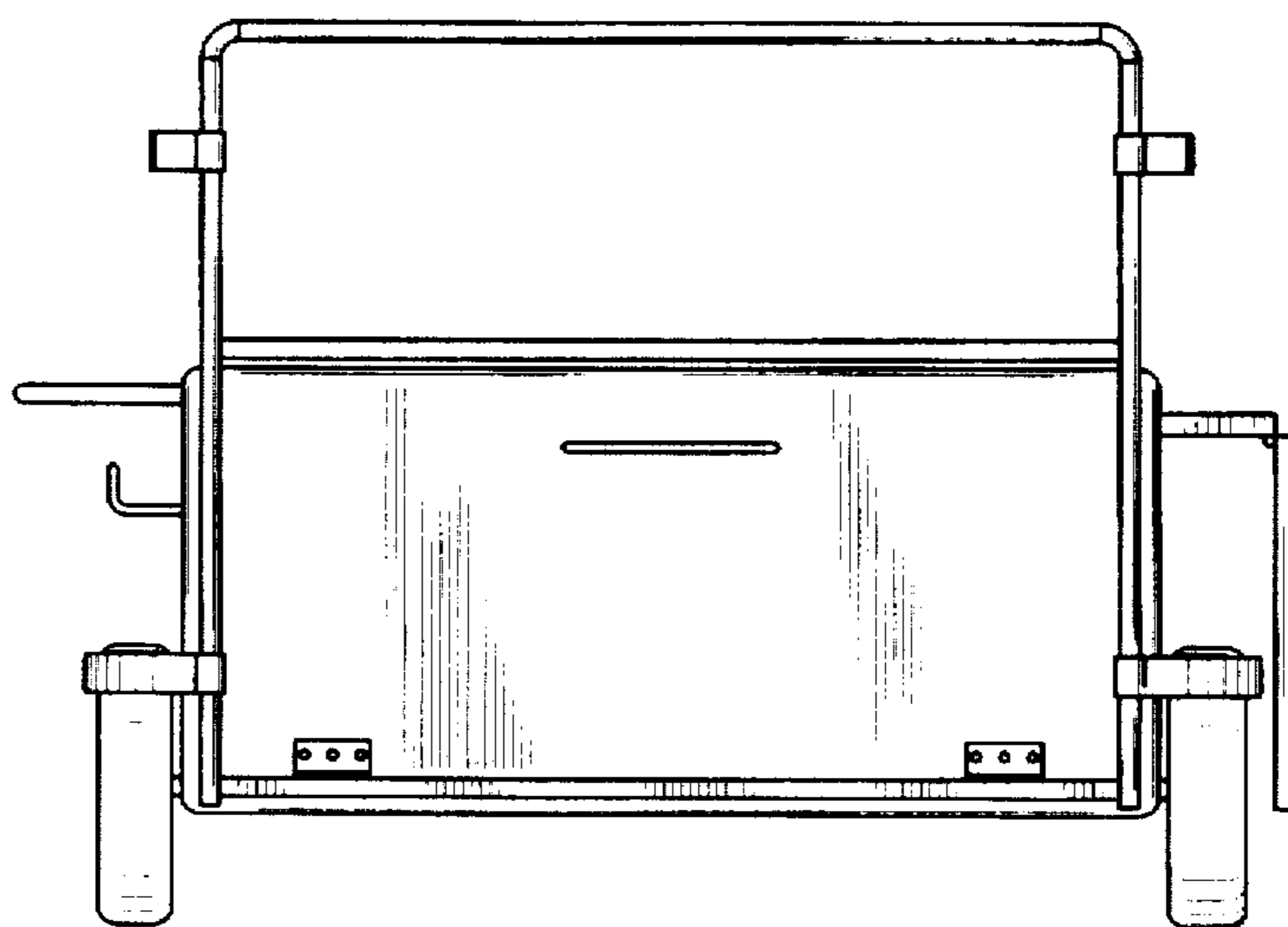


FIG. 3

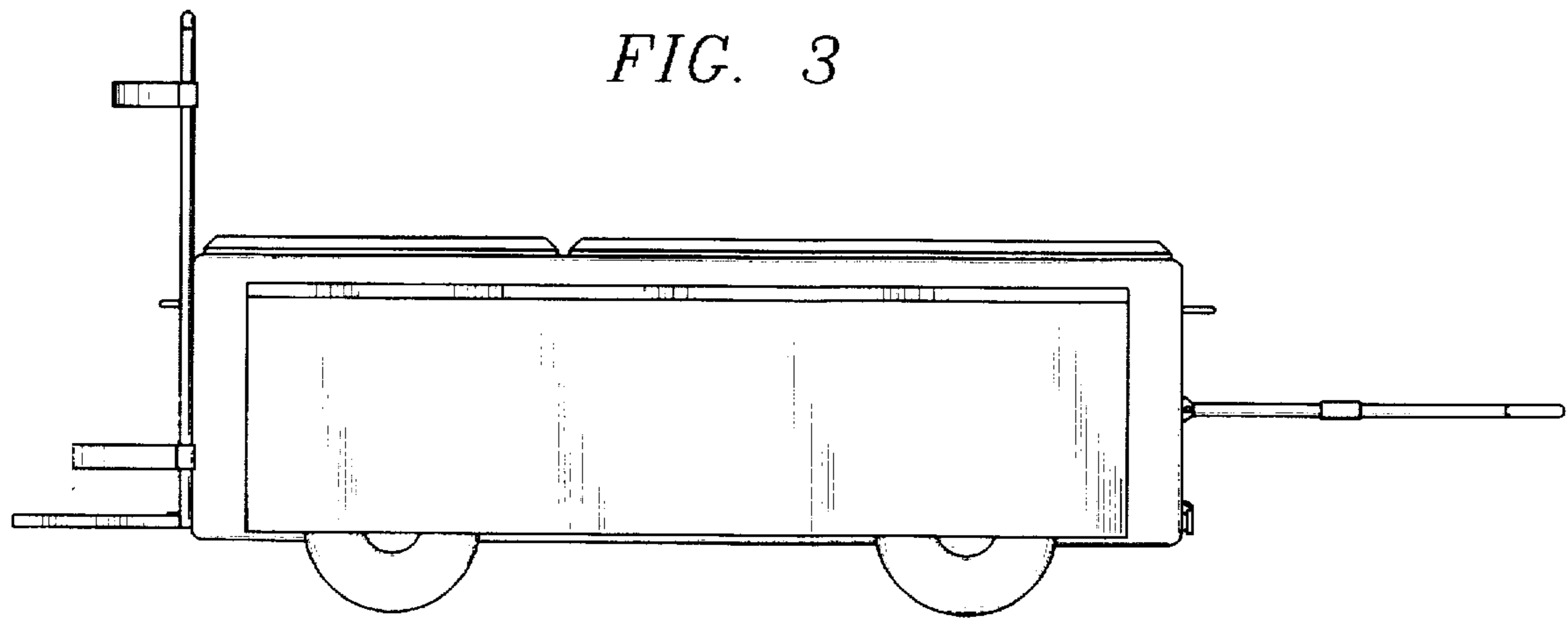


FIG. 4

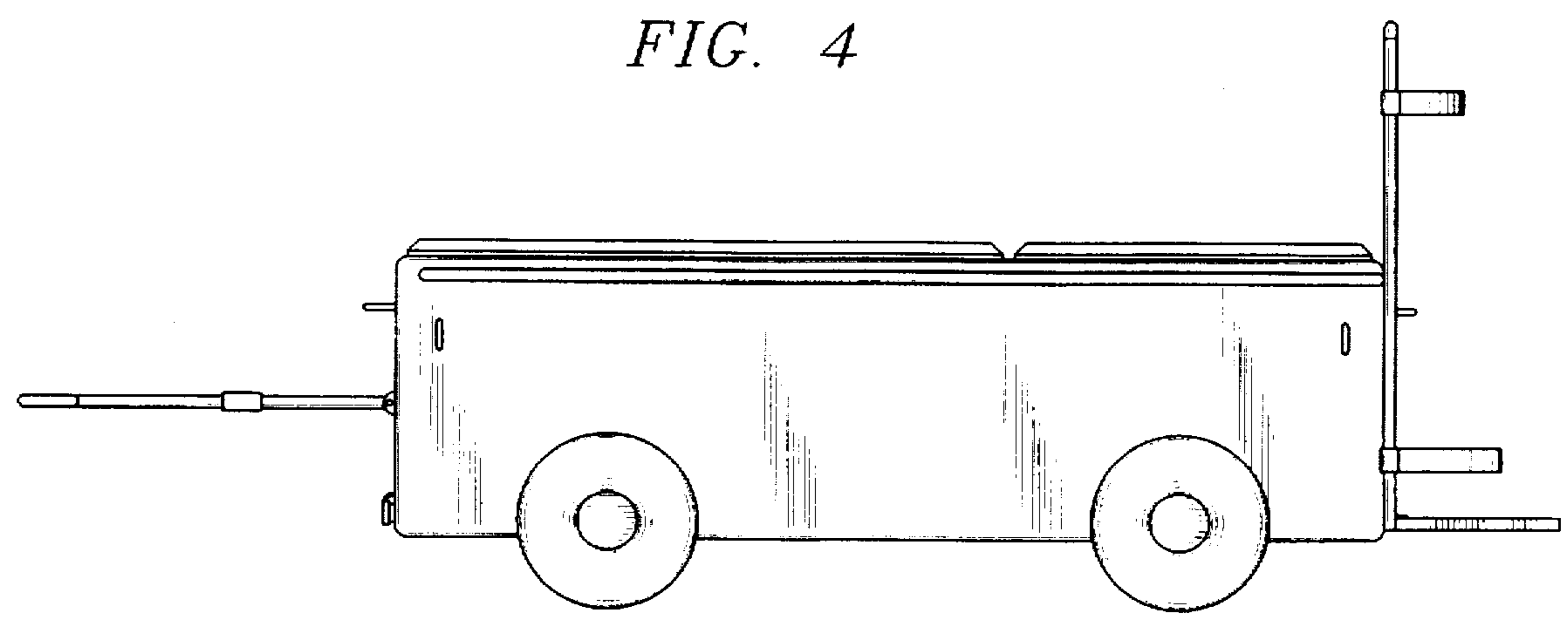


FIG. 5

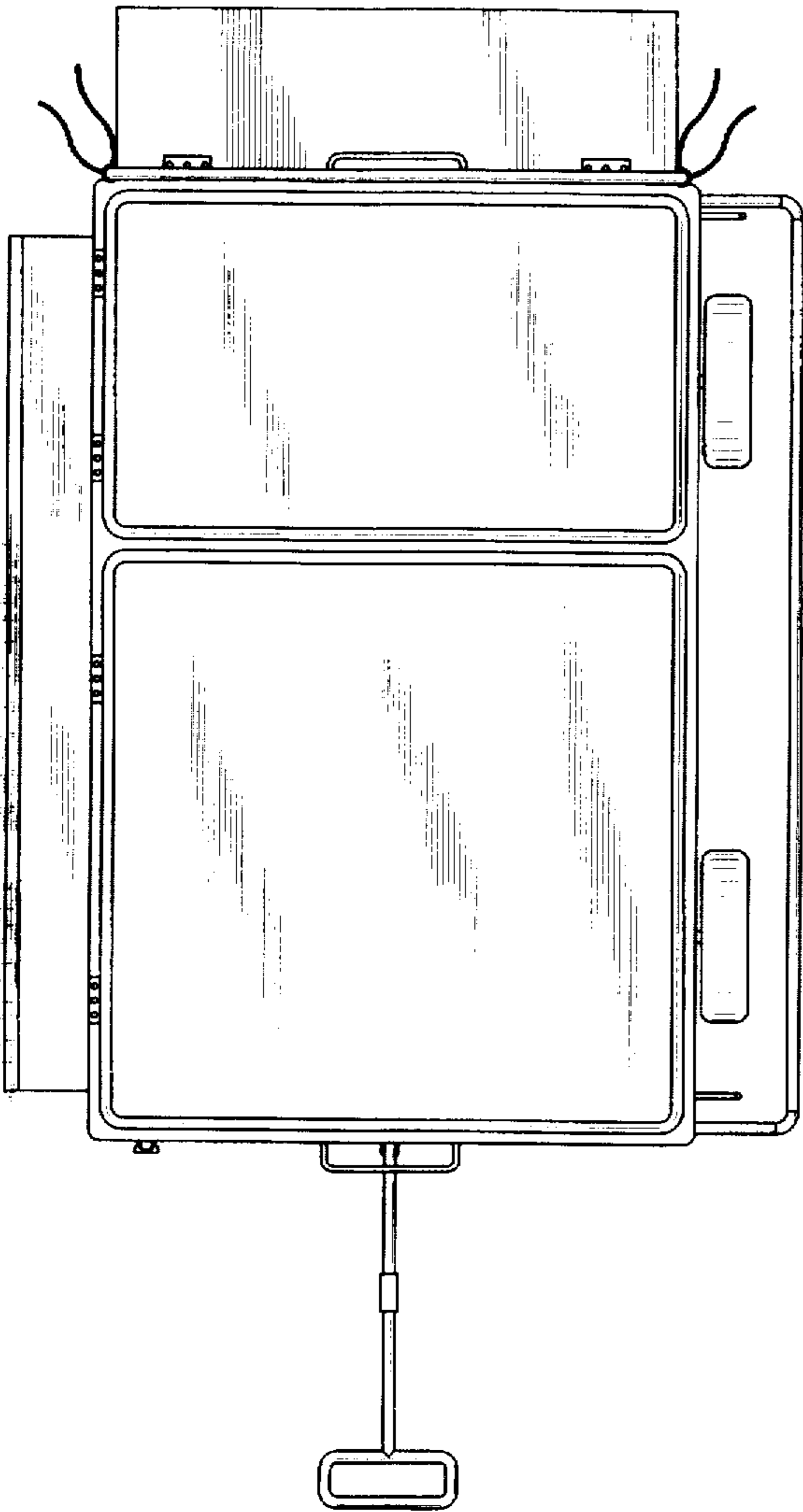


FIG. 6

