



US00D396014S

United States Patent [19]
Bigelow

[11] **Patent Number: Des. 396,014**
[45] **Date of Patent: **Jul. 14, 1998**

[54] **PEAK EXPIRATORY FLOW METER**

5,246,010 9/1993 Gazzara et al. 128/725
5,562,101 10/1996 Hankinson et al. 128/725

[76] **Inventor: Warren V. Bigelow, 5712 Auto Club Cir., Bloomington, Minn. 55437**

Primary Examiner—Antoine Duval Davis
Attorney, Agent, or Firm—Norman B. Rainer

[**] **Term: 14 Years**

[57] **CLAIM**

[21] **Appl. No.: 67,095**

The ornamental design for a peak expiratory flow meter, as shown and described.

[22] **Filed: Mar. 5, 1997**

DESCRIPTION

[51] **LOC (6) Cl. 10-04**

[52] **U.S. Cl. D10/96**

[58] **Field of Search** D10/78, 96; D24/164, D24/166; 73/861.74, 861.75, 861.76, 861.79; 128/208, 716, 725, 726, 727; 482/13

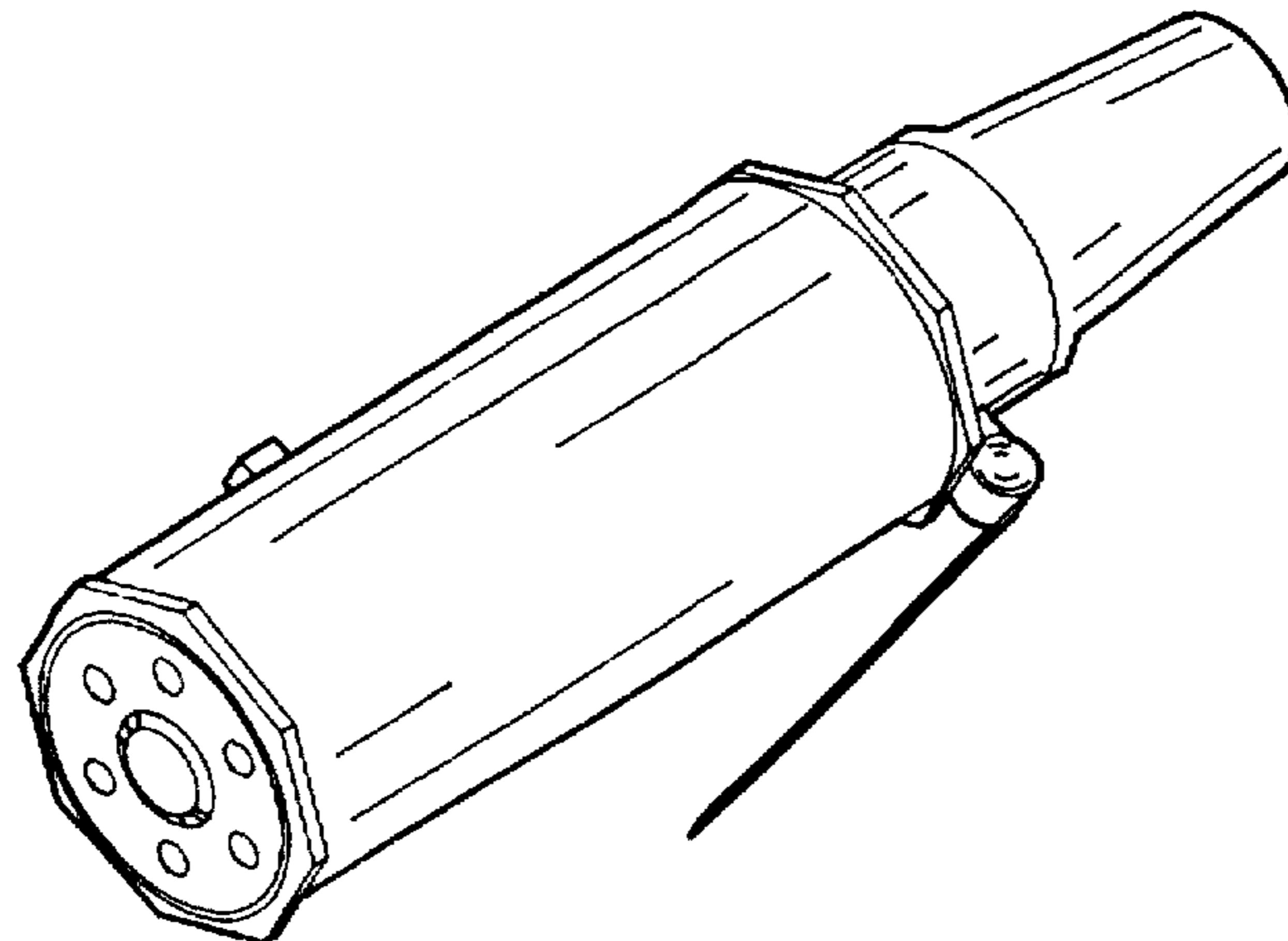
FIG. 1 is a top and side perspective view of a peak expiratory flow meter, showing my new design;
FIG. 2 is a side view thereof;
FIG. 3 is a side view thereof rotated 90 degrees about the length axis from the view of FIG. 2;
FIG. 4 is a rear view thereof; and,
FIG. 5 is a front view thereof.

[56] **References Cited**

U.S. PATENT DOCUMENTS

3,958,565 5/1976 Wright 128/2.08

1 Claim, 1 Drawing Sheet



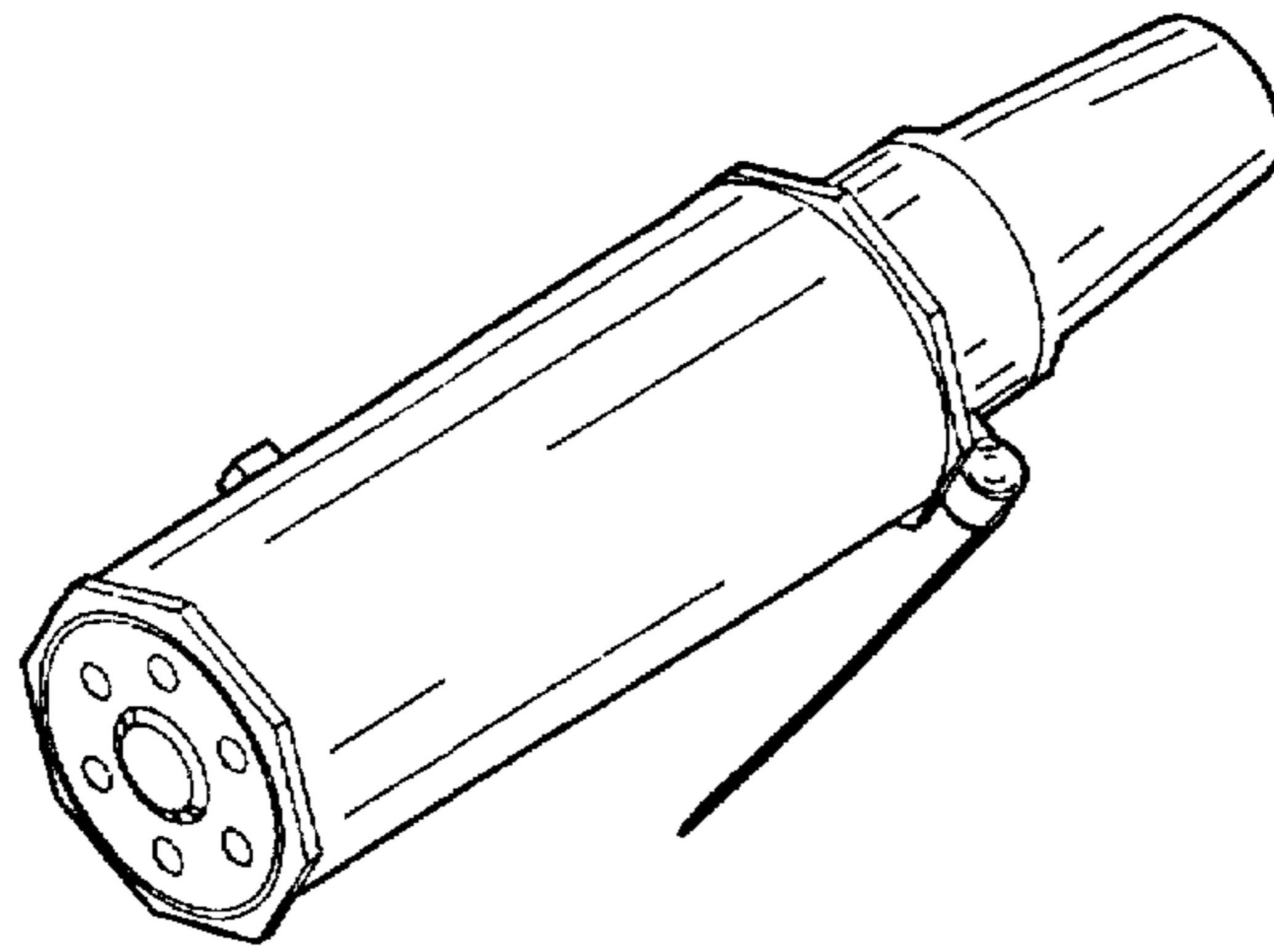


FIG. 1

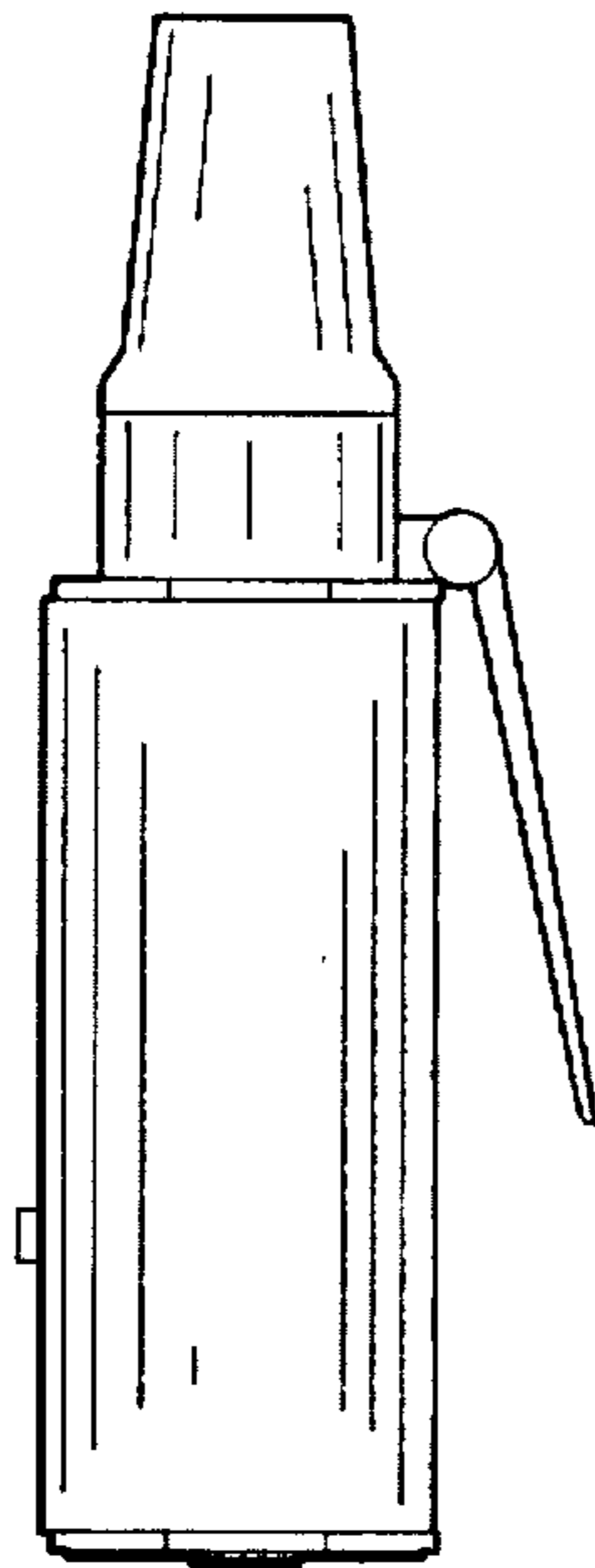


FIG. 2

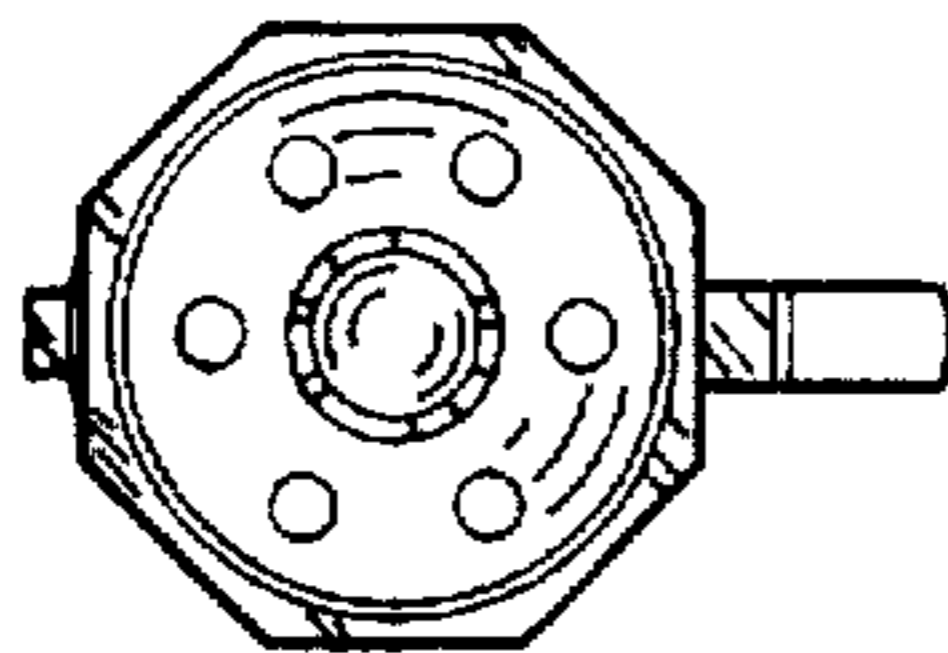


FIG. 4

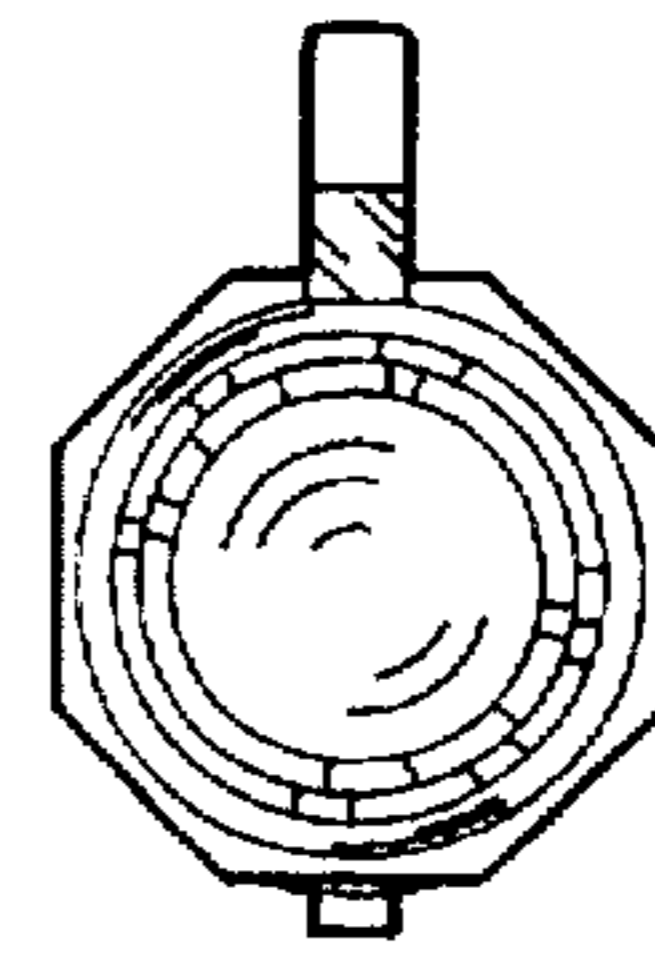


FIG. 5

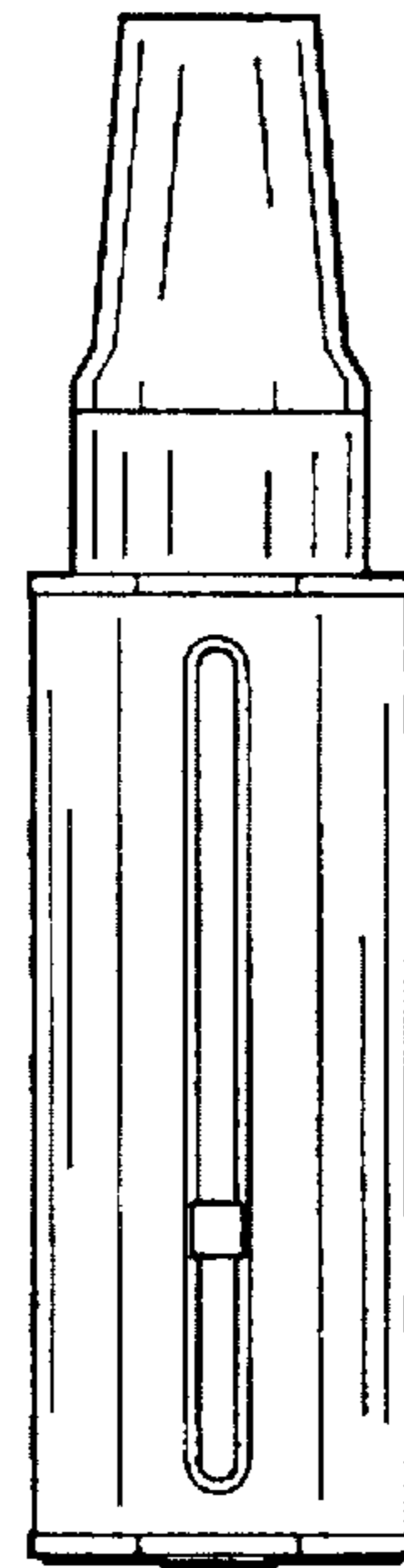


FIG. 3