



US00D396009S

**United States Patent** [19]  
**Reubens**

[11] **Patent Number: Des. 396,009**  
[45] **Date of Patent: \*\*Jul. 14, 1998**

[54] **NOTCHED DISPENSER BOTTLE**

[75] **Inventor: Jay Reubens, Wayland, Mass.**  
[73] **Assignee: Ultracenz Corporation, Boston, Mass.**  
[\*\*] **Term: 14 Years**

[21] **Appl. No.: 53,875**  
[22] **Filed: May 1, 1996**

[51] **LOC (6) Cl. .... 09-01**  
[52] **U.S. Cl. .... D9/530; D9/571; D9/572**  
[58] **Field of Search .... D9/542, 543, 572, D9/573, 574, 575, 544, 530, 516; 215/382, 383, 384, 385, 400, 398**

[56] **References Cited**

**U.S. PATENT DOCUMENTS**

D. 148,216	12/1947	Dennis	.....	D9/543	X
D. 260,367	8/1981	Grip	.....	D9/573	X
D. 269,948	8/1983	Janssen	.....	D9/543	X
D. 279,261	6/1985	Blocksom et al.	.....	D9/573	X
D. 280,385	9/1985	Dinand	.....	D9/573	
D. 309,080	7/1990	Buchholz	.....	D9/543	
D. 340,867	11/1993	Martin	.....	D9/543	

D. 372,675 8/1996 Pollard et al. .... D9/574 X

*Primary Examiner*—Lucy Lieberman  
*Attorney, Agent, or Firm*—Scott B. Garrison; Lambert & Garrison PLLC

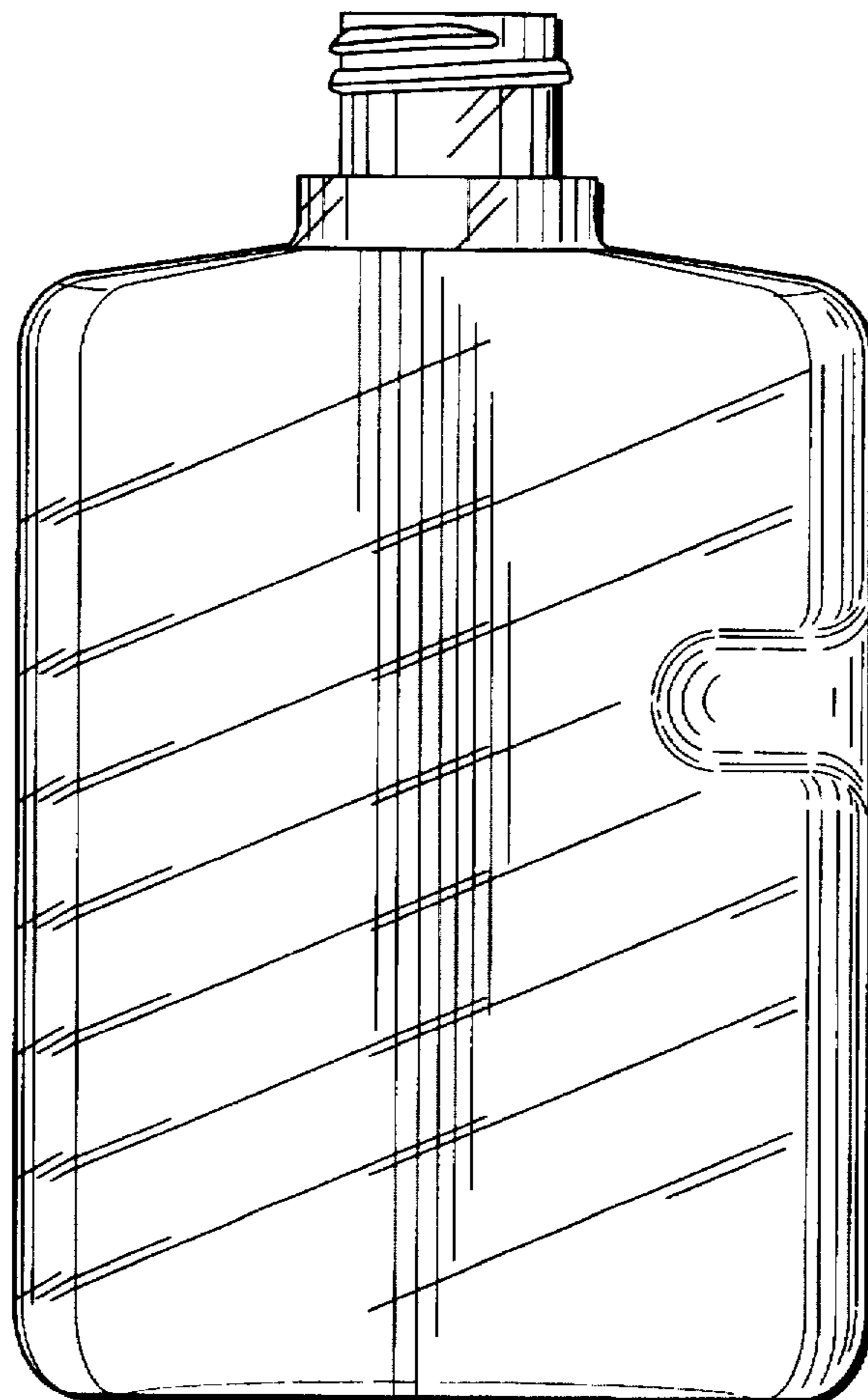
[57] **CLAIM**

The ornamental design for a notched dispenser bottle, as shown and described.

**DESCRIPTION**

FIG. 1 is a front elevation of a notched dispenser bottle showing my new design;  
FIG. 2 is a right side elevation thereof;  
FIG. 3 is a plan view of the FIG. 1 bottle looking from the bottom toward the top;  
FIG. 4 is a plan view of the FIG. 1 bottle looking from the top toward the bottom;  
FIG. 5 is a rear elevation of said bottle looking toward the front; and,  
FIG. 6 is a side elevation of the FIG. 1 bottle, looking from the left side toward the right side of the FIG. 1 depiction. The characteristic feature of the design resides in the fact that said bottle contains a notch on one corner of said bottle.

**1 Claim, 5 Drawing Sheets**



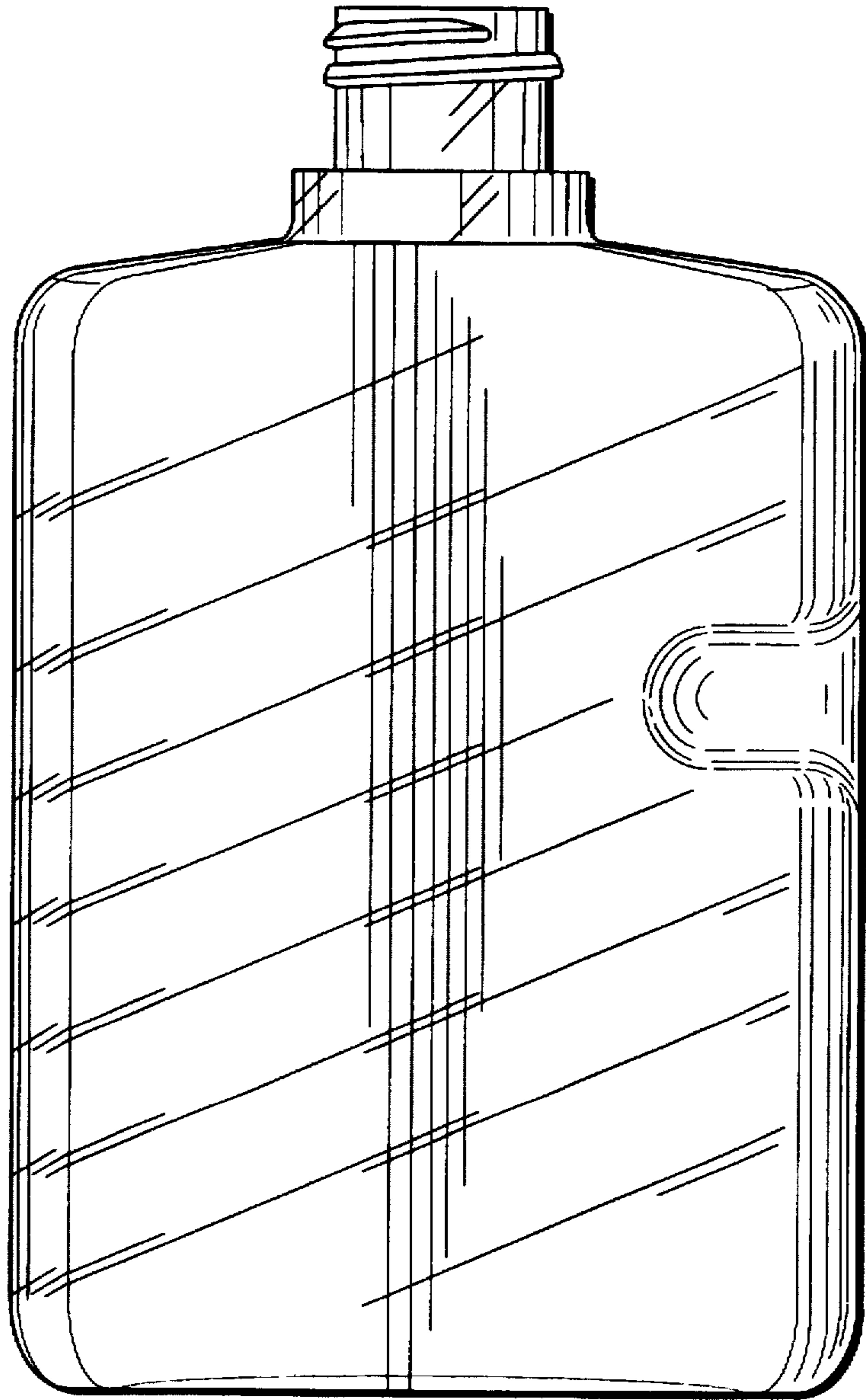


FIG. 1

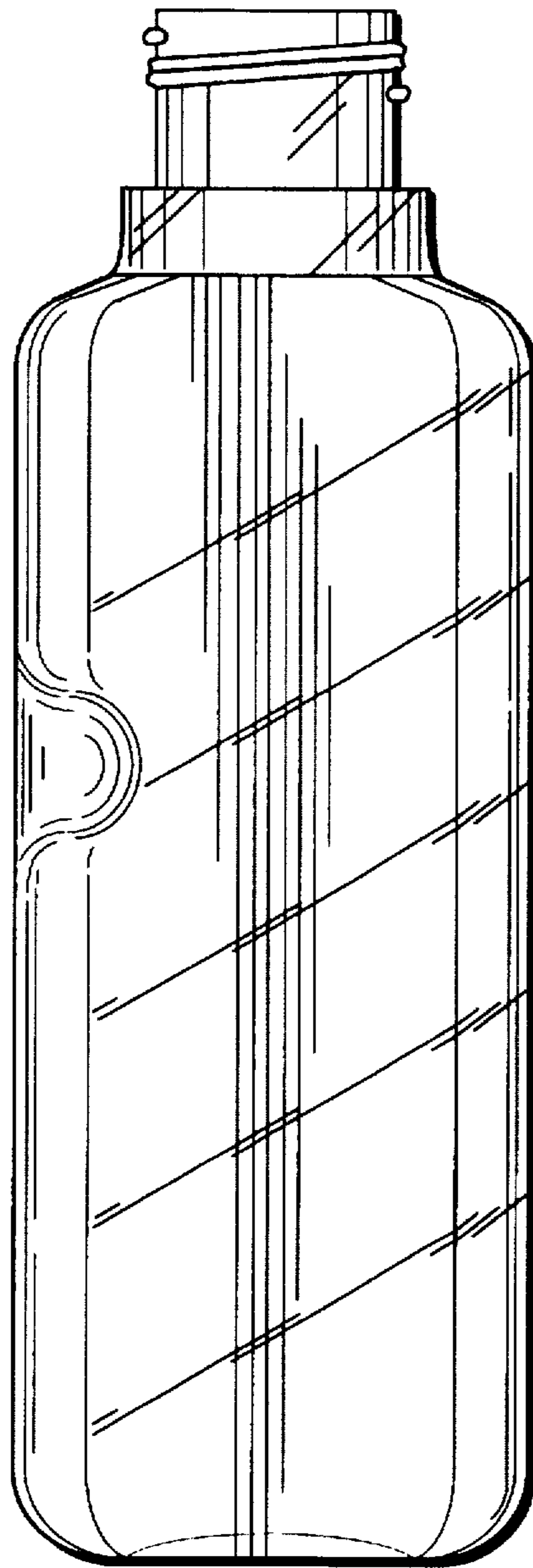


FIG. 2

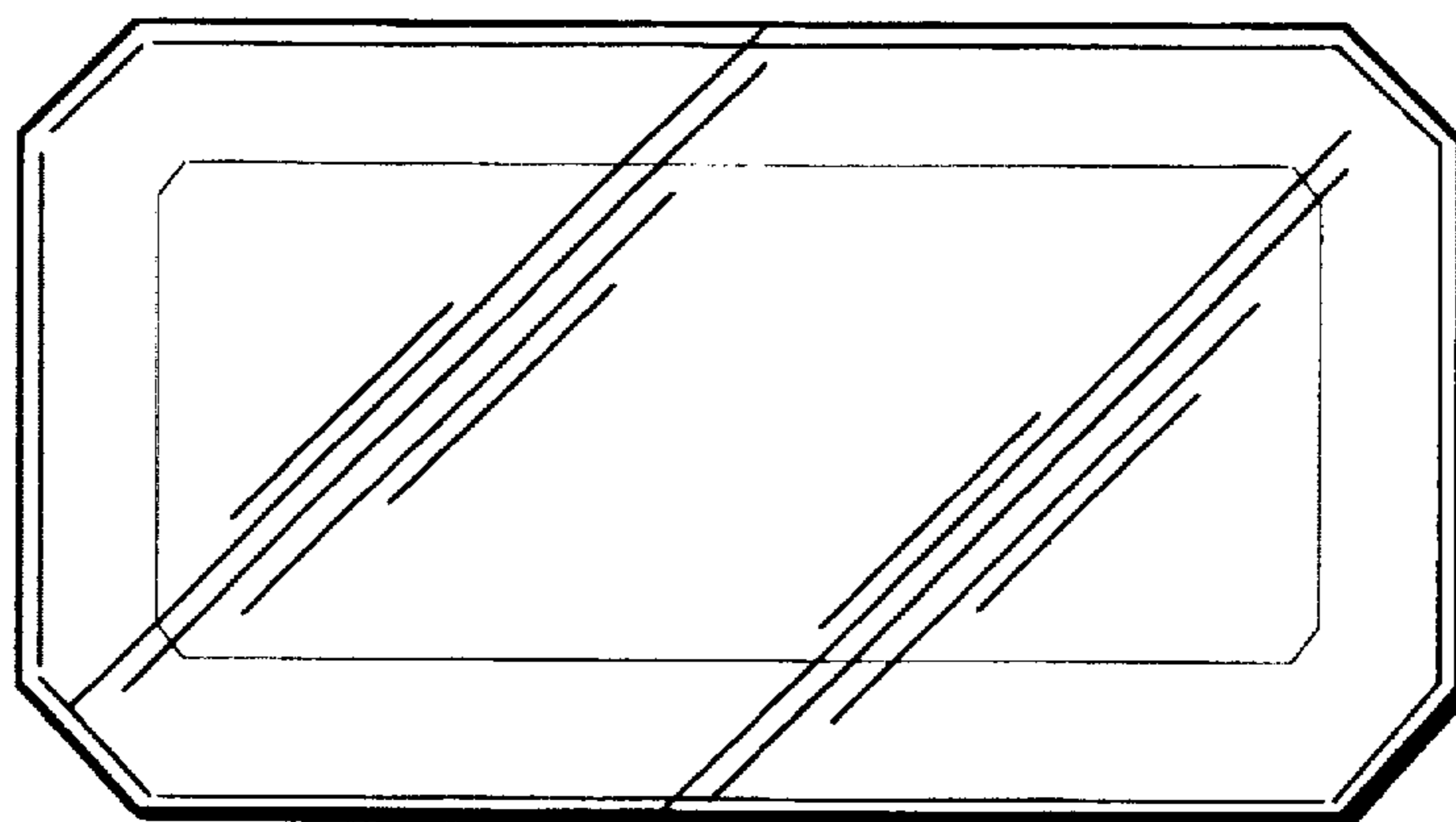


FIG. 3

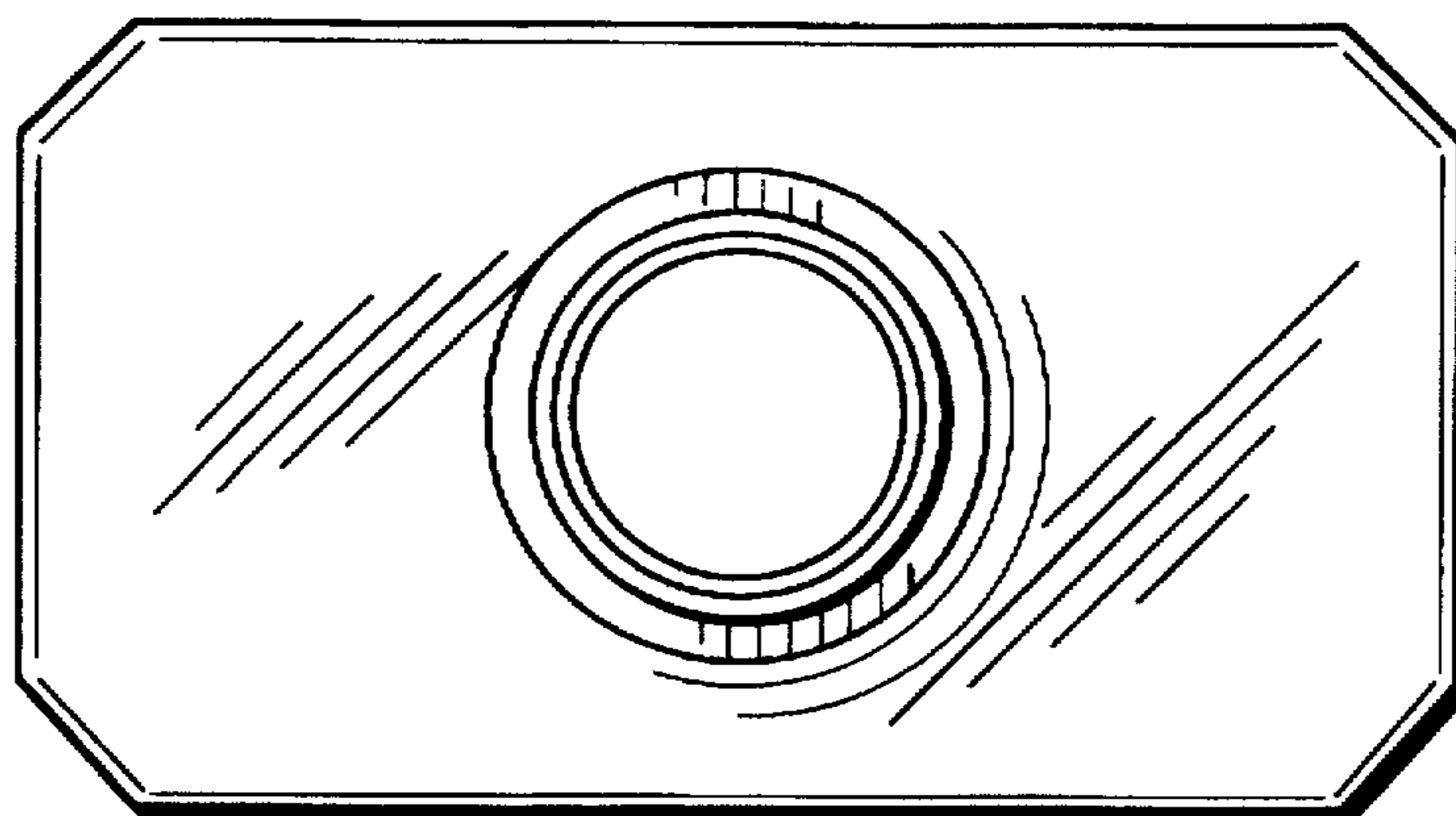


FIG. 4

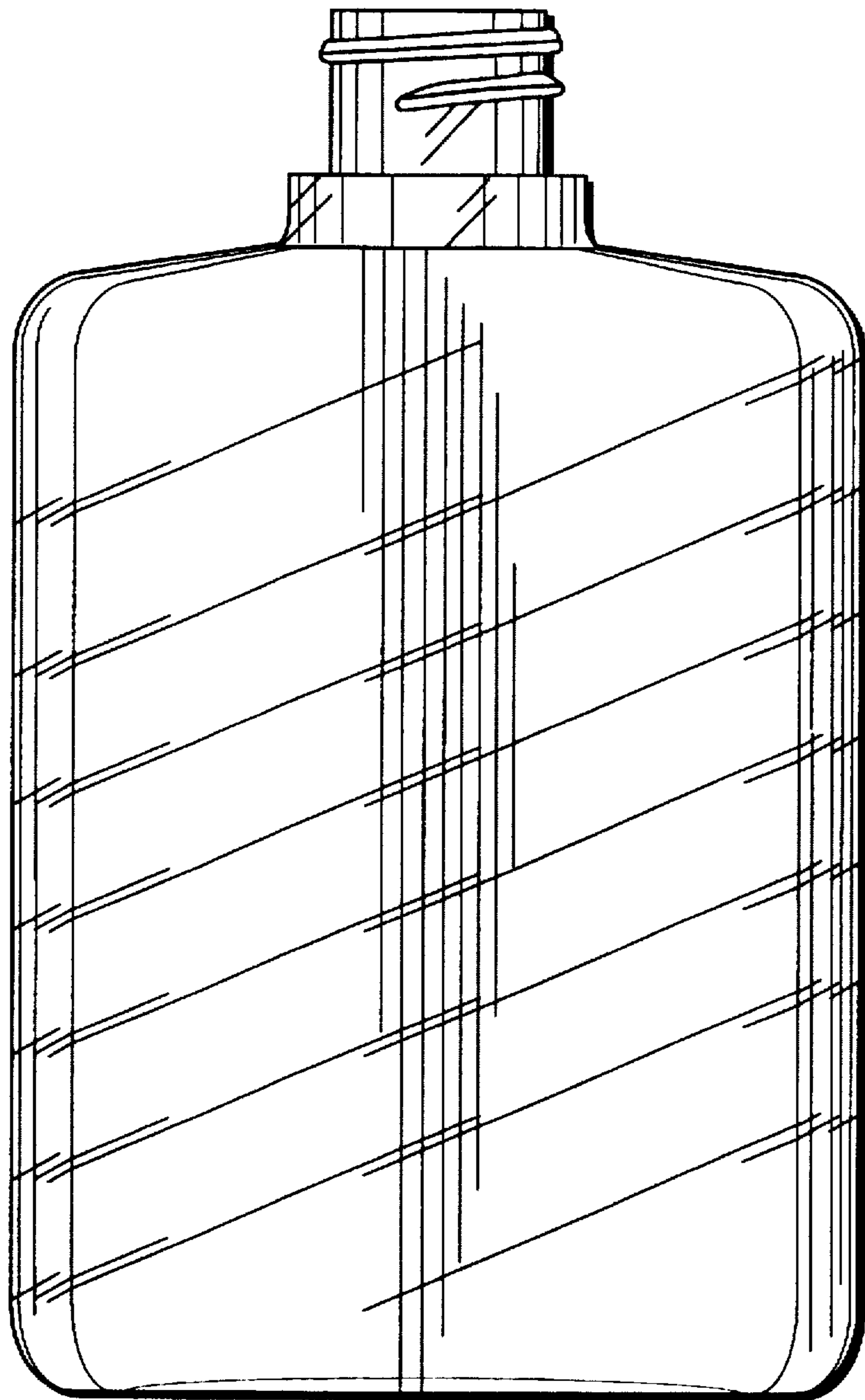


FIG. 5

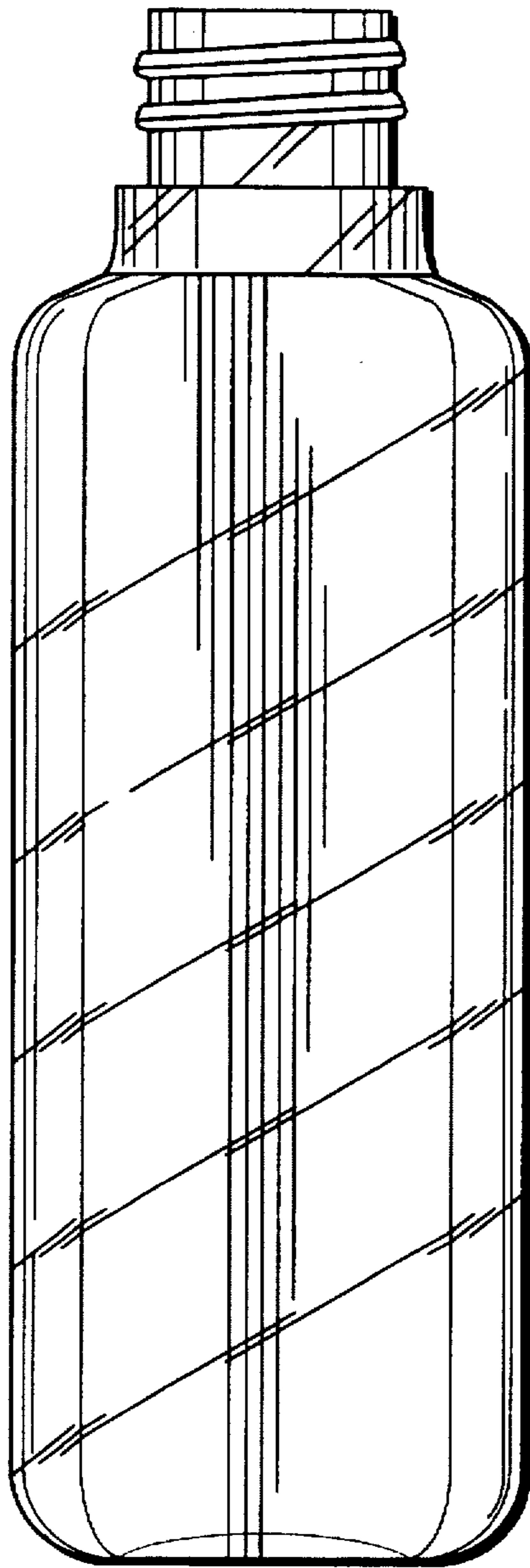


FIG. 6