



US00D396006S

United States Patent [19]
Harris

[11] **Patent Number: Des. 396,006**
[45] **Date of Patent: **Jul. 14, 1998**

[54] **OIL BOTTLE MOUTH EXPANDER**
[76] **Inventor: Virgil Harris, P.O. Box 124, Point Marion, Pa. 15474**
[**] **Term: 14 Years**
[21] **Appl. No.: 64,592**
[22] **Filed: Jan. 6, 1997**
[51] **LOC (6) Cl. 09-07**
[52] **U.S. Cl. D9/447**
[58] **Field of Search D9/434, 435, 439, D9/440, 447; D7/398, 700; 222/460, 461, 566-571**

D. 325,497 4/1992 Albertson D9/435 X
D. 354,898 1/1995 Nagy D7/398 X
1,124,495 1/1915 Mahn D9/440 X
4,347,879 9/1982 Blaser .
5,123,461 6/1992 Belokin, Jr. et al. .

Primary Examiner—James Gandy
Assistant Examiner—Cathron B. Matta
Attorney, Agent, or Firm—Kenneth P. McKay, Esq.

[57] **CLAIM**

The ornamental design for an oil bottle mouth expander, as shown.

DESCRIPTION

FIG. 1 is a perspective view of an oil bottle mouth expander showing my new design;
FIG. 2 is a side elevation view thereof;
FIG. 3 is a bottom outside plan view thereof; and
FIG. 4 is top outside plan view thereof.

[56] **References Cited**
U.S. PATENT DOCUMENTS
D. 158,693 5/1950 Salisbury, Jr. .
D. 274,208 6/1984 Hildenbrand .
D. 302,794 8/1989 Turner et al. D9/447

1 Claim, 2 Drawing Sheets

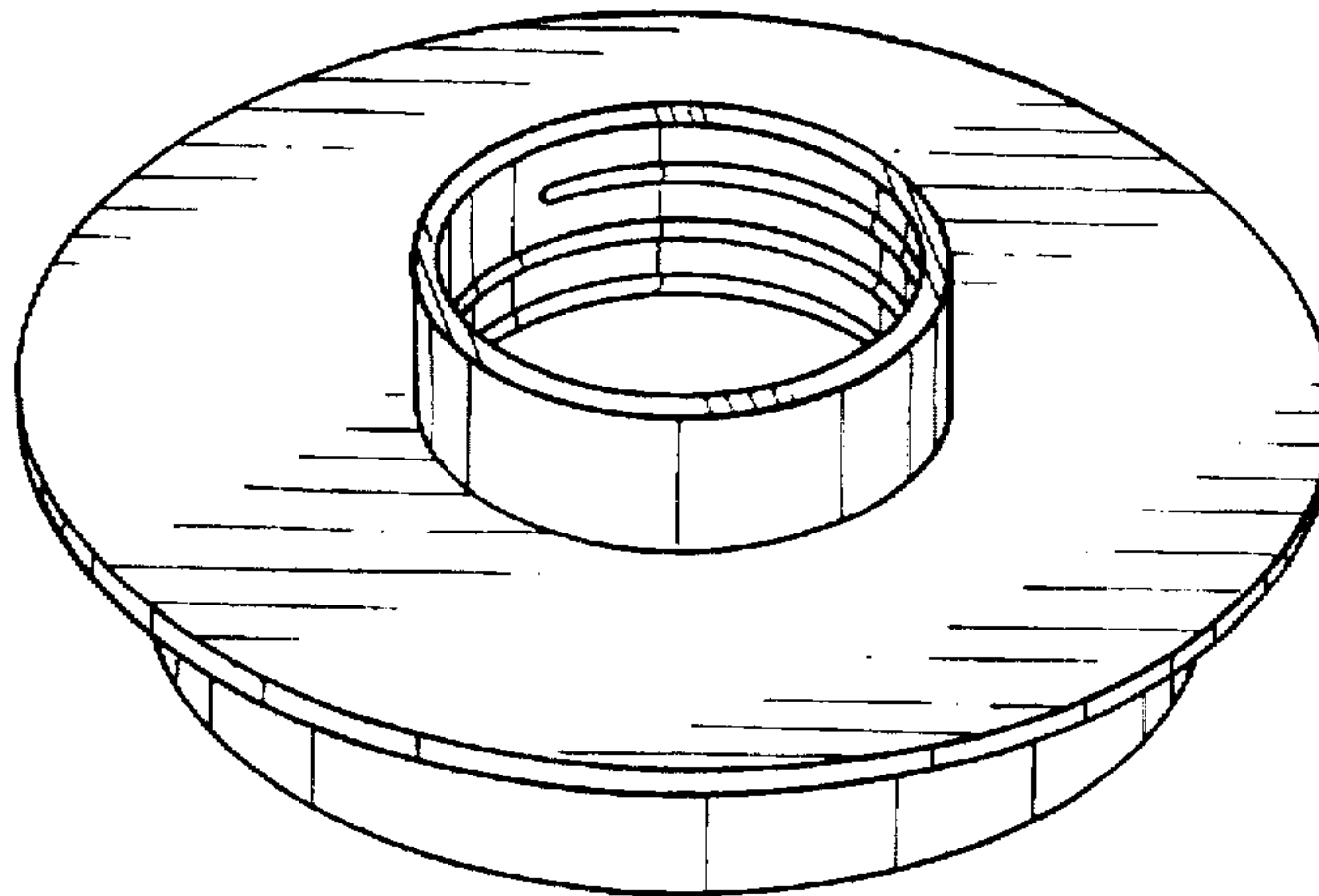


FIG. 1

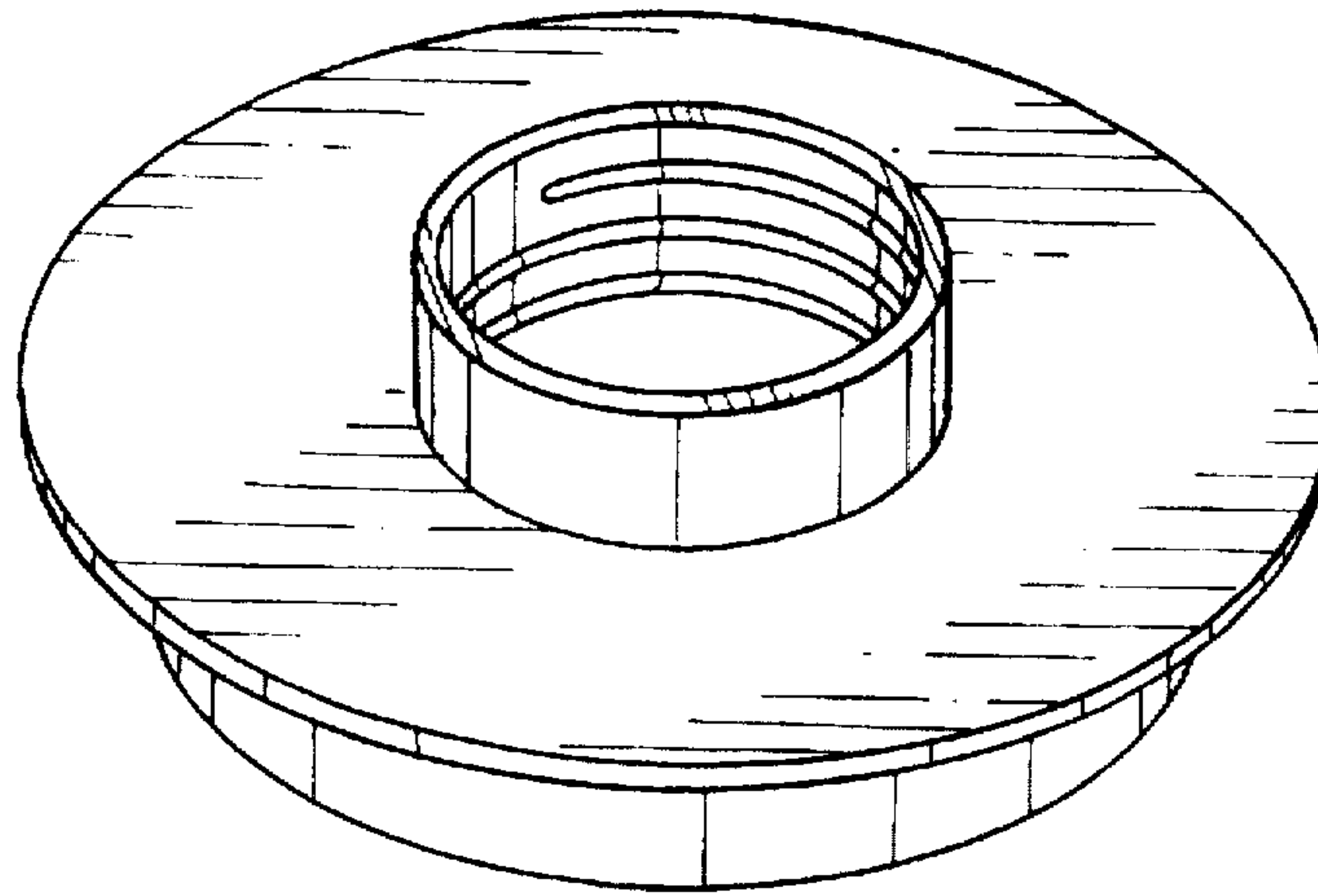


FIG. 2

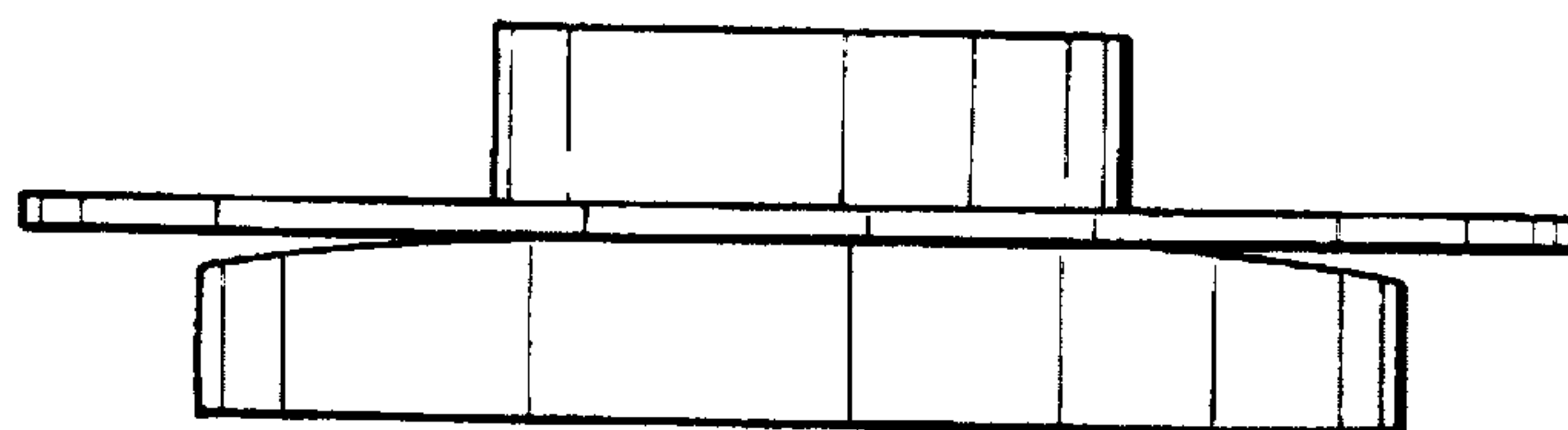


FIG. 3

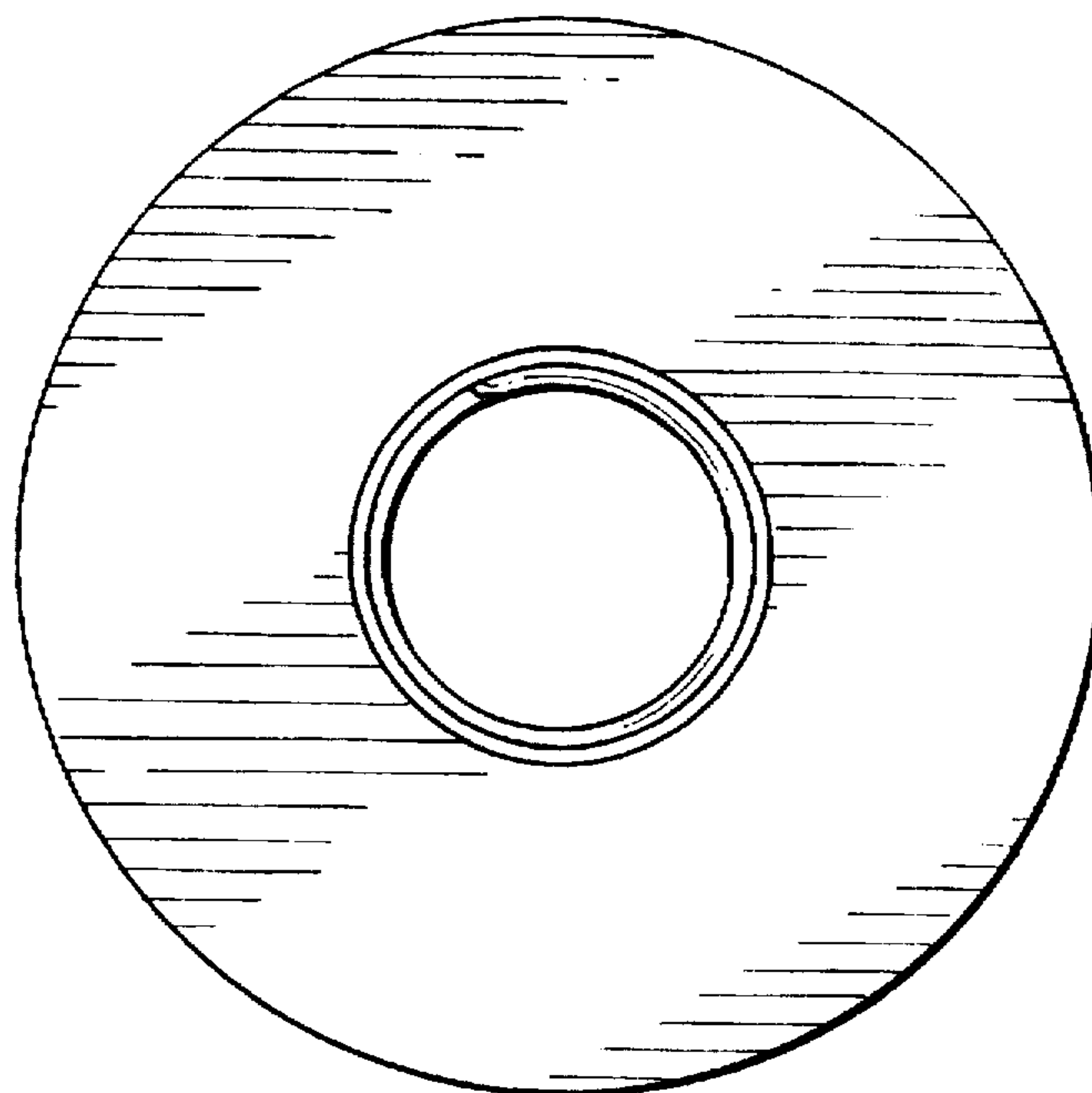


FIG. 4

