



US00D395997S

United States Patent [19]

Coll et al.

[11] Patent Number: **Des. 395,997**

[45] Date of Patent: ****Jul. 14, 1998**

[54] **ELECTRICAL GROUND BRACKET FOR METER PANEL**

3,347,504 10/1967 Goss 248/201 X
3,514,063 5/1970 Hollander 248/300 X

[75] Inventors: **Gene Coll**, Cranford, N.J.; **Cong Thanh Dinh**, Montreal, Canada

Primary Examiner—Holly Baynham
Attorney, Agent, or Firm—Foley & Lardner

[73] Assignee: **Diamond Communication Products, Inc.**, Garwood, N.J.

[57] **CLAIM**

[**] Term: **14 Years**

The ornamental design for an “electrical ground bracket for meter panel”, as shown and described.

[21] Appl. No.: **70,387**

DESCRIPTION

[22] Filed: **Apr. 30, 1997**

FIG. 1 is a front, top and left side perspective view of an electrical ground bracket for meter panel, showing our new design;

[51] **LOC (6) Cl.** **08-05**

FIG. 2 is a front elevational view thereof;

[52] **U.S. Cl.** **D8/354**

FIG. 3 is a rear elevational view thereof;

[58] **Field of Search** D8/349, 356, 354;
248/200, 200.1, 300, 27.1

FIG. 4 is a top plan view thereof;

FIG. 5 is a left side elevational view thereof;

FIG. 6 is a right side elevational view thereof; and,

FIG. 7 is a bottom plan view thereof.

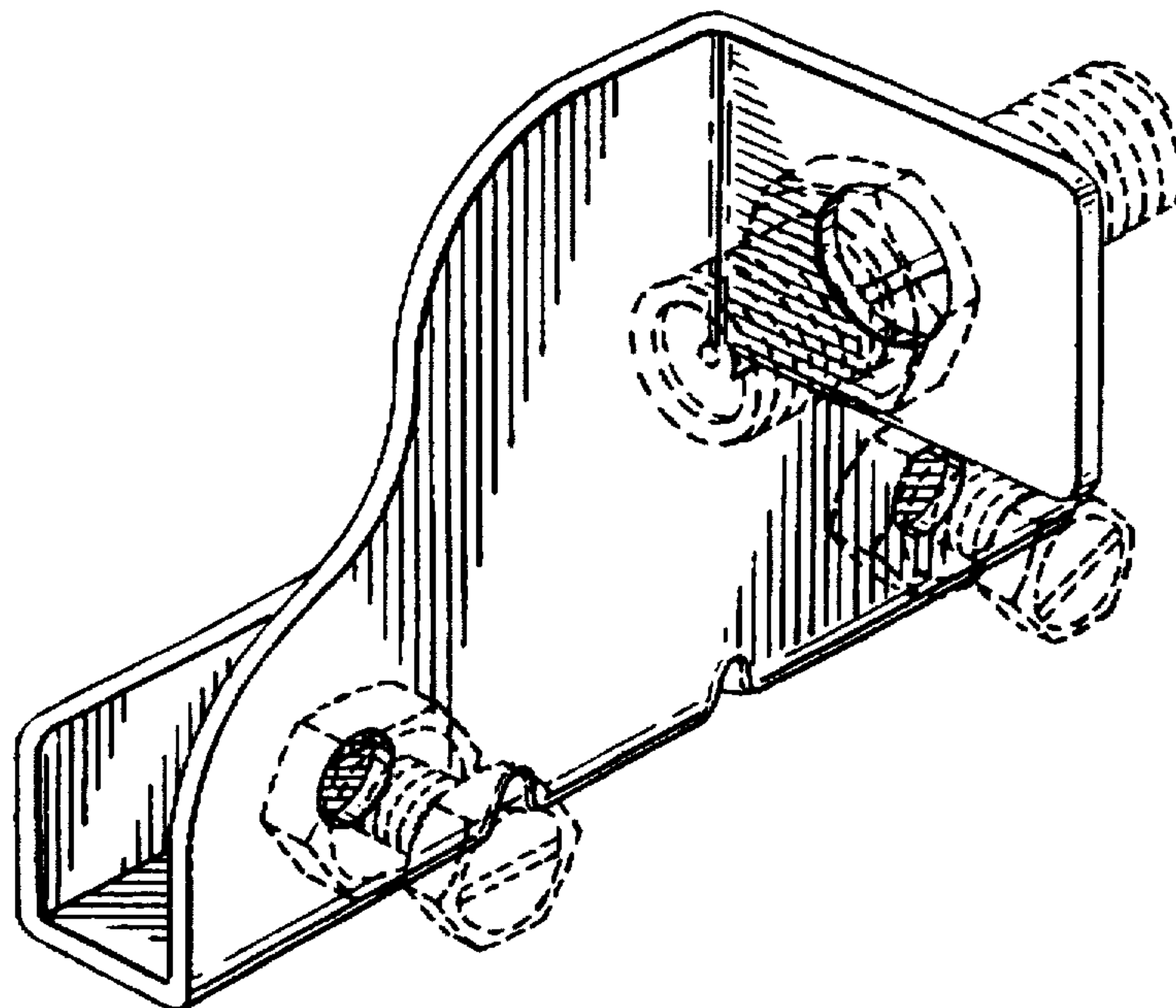
[56] **References Cited**

The broken line showing of bolts is for illustrative purposes only and forms no part of the claimed design.

U.S. PATENT DOCUMENTS

D. 297,410 8/1988 Sachs D8/356
3,022,033 2/1962 Flower 248/300

1 Claim, 3 Drawing Sheets



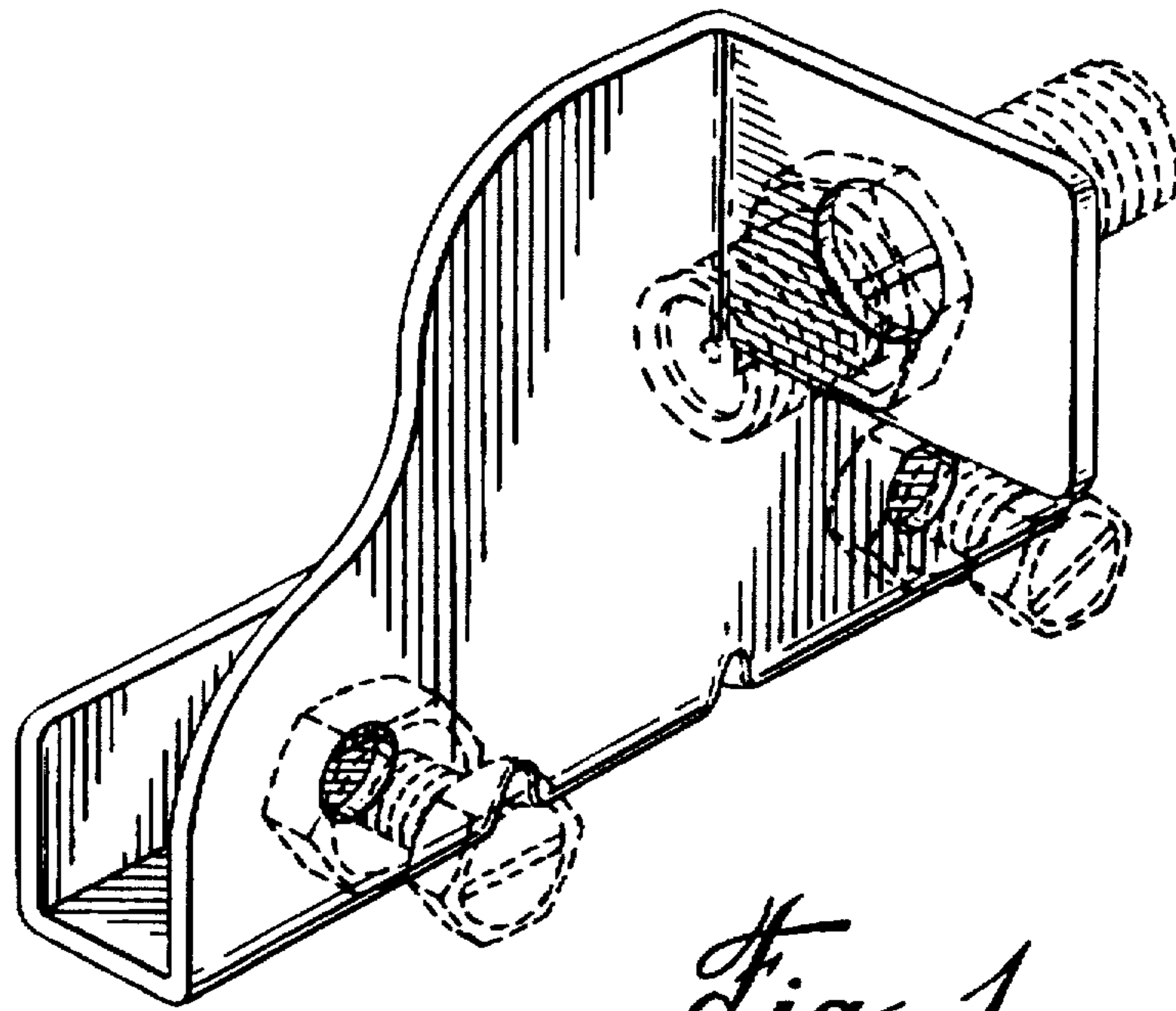


Fig. 1

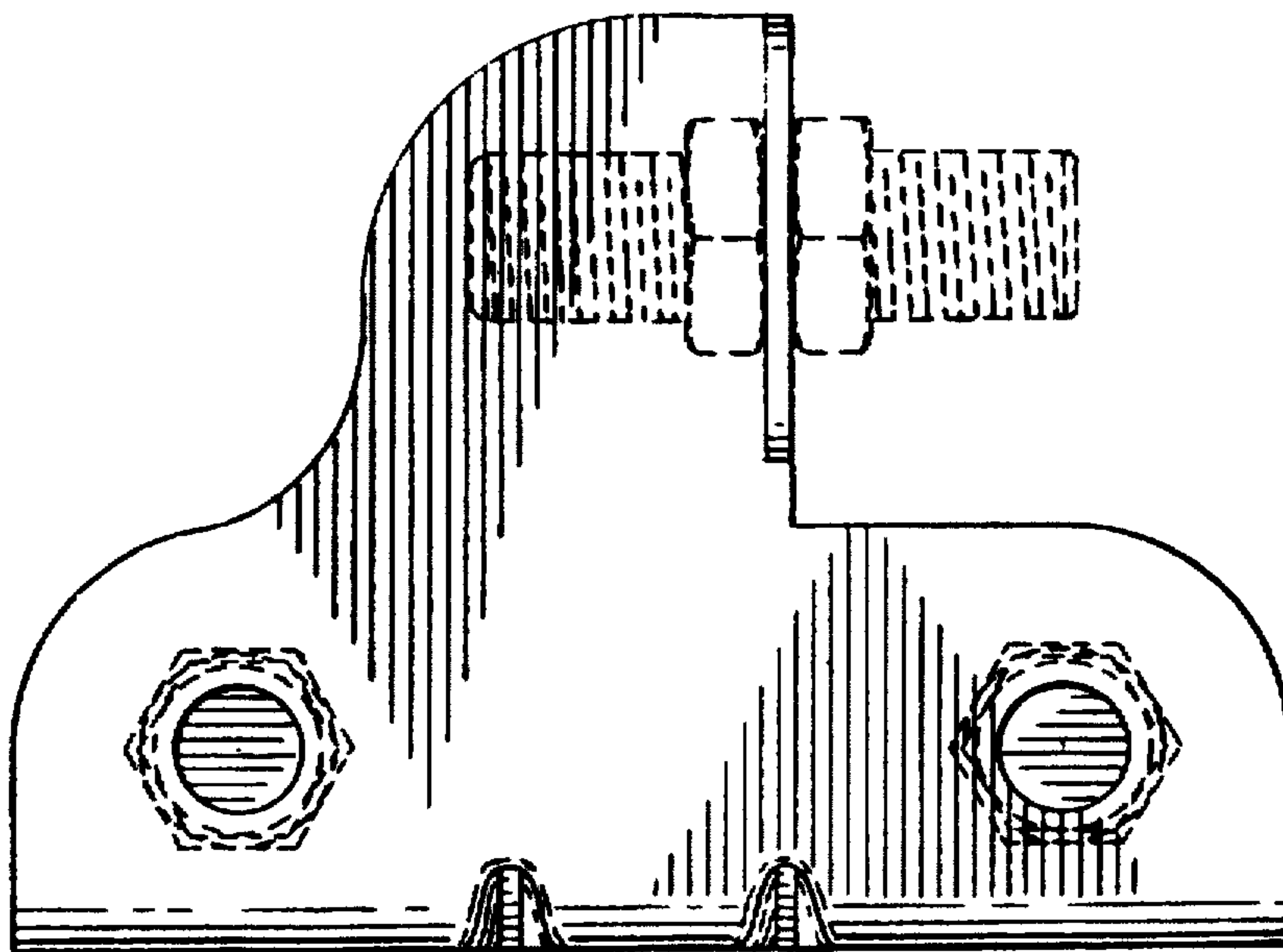


Fig. 2

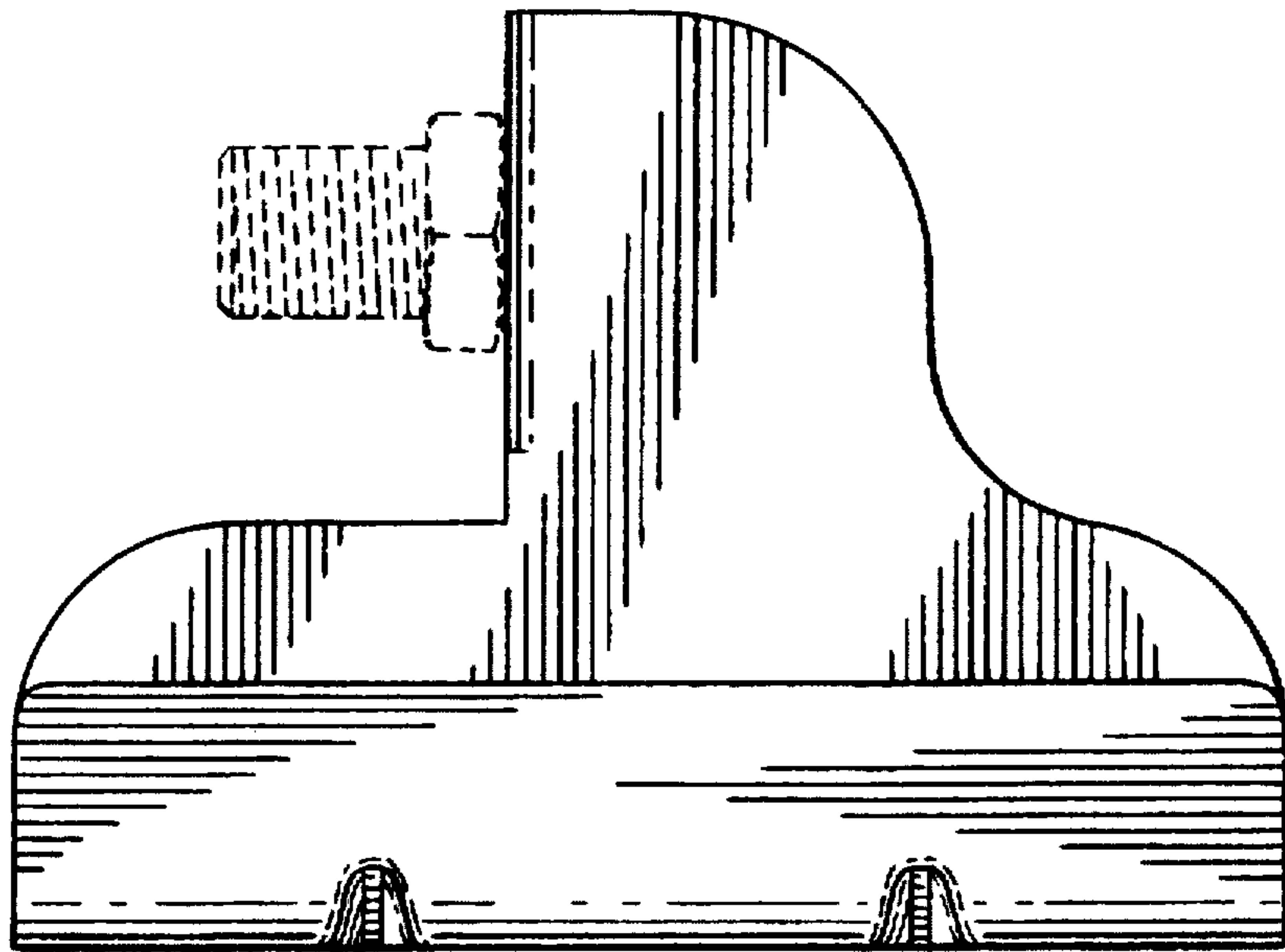


Fig. 3

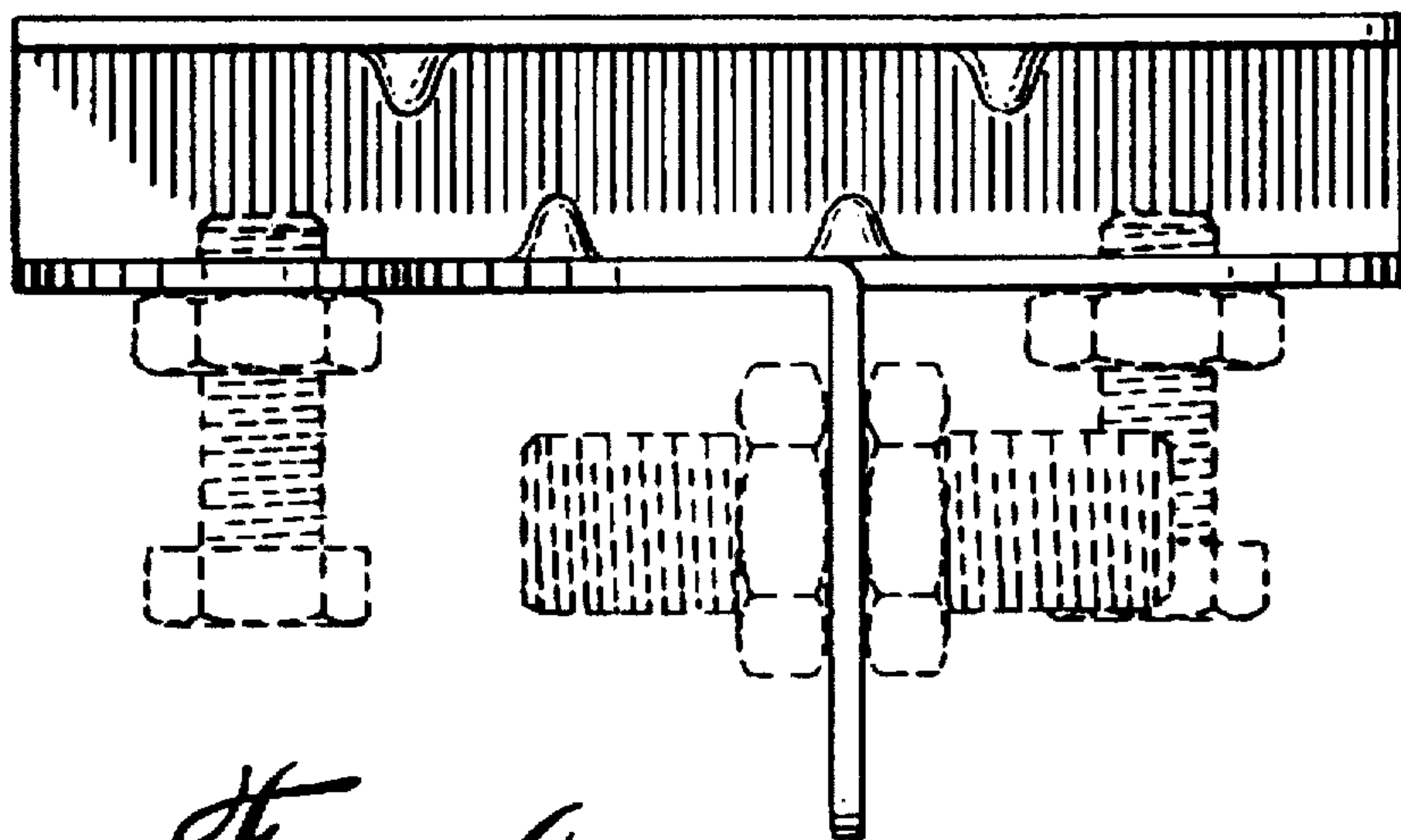


Fig. 4

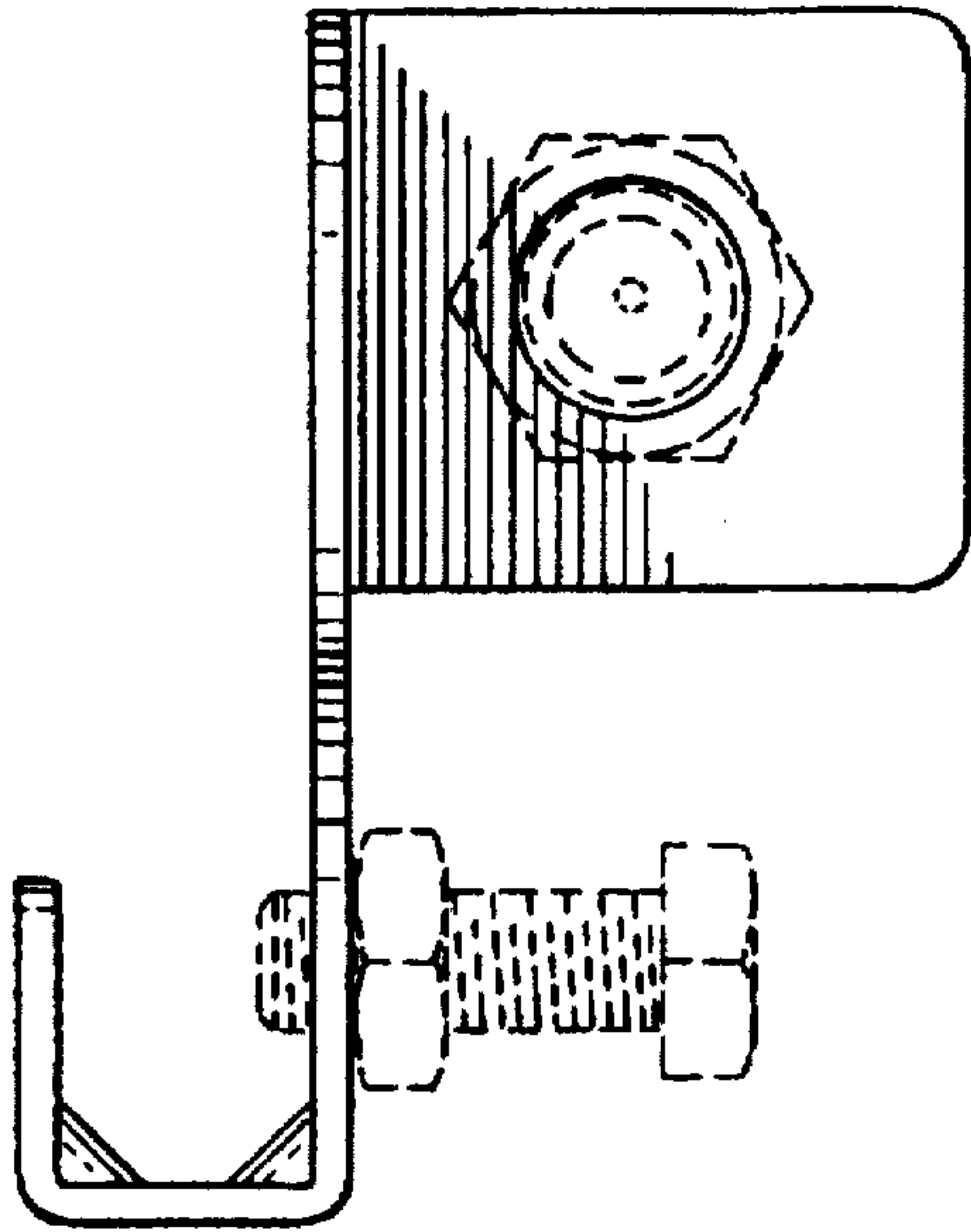


Fig. 5

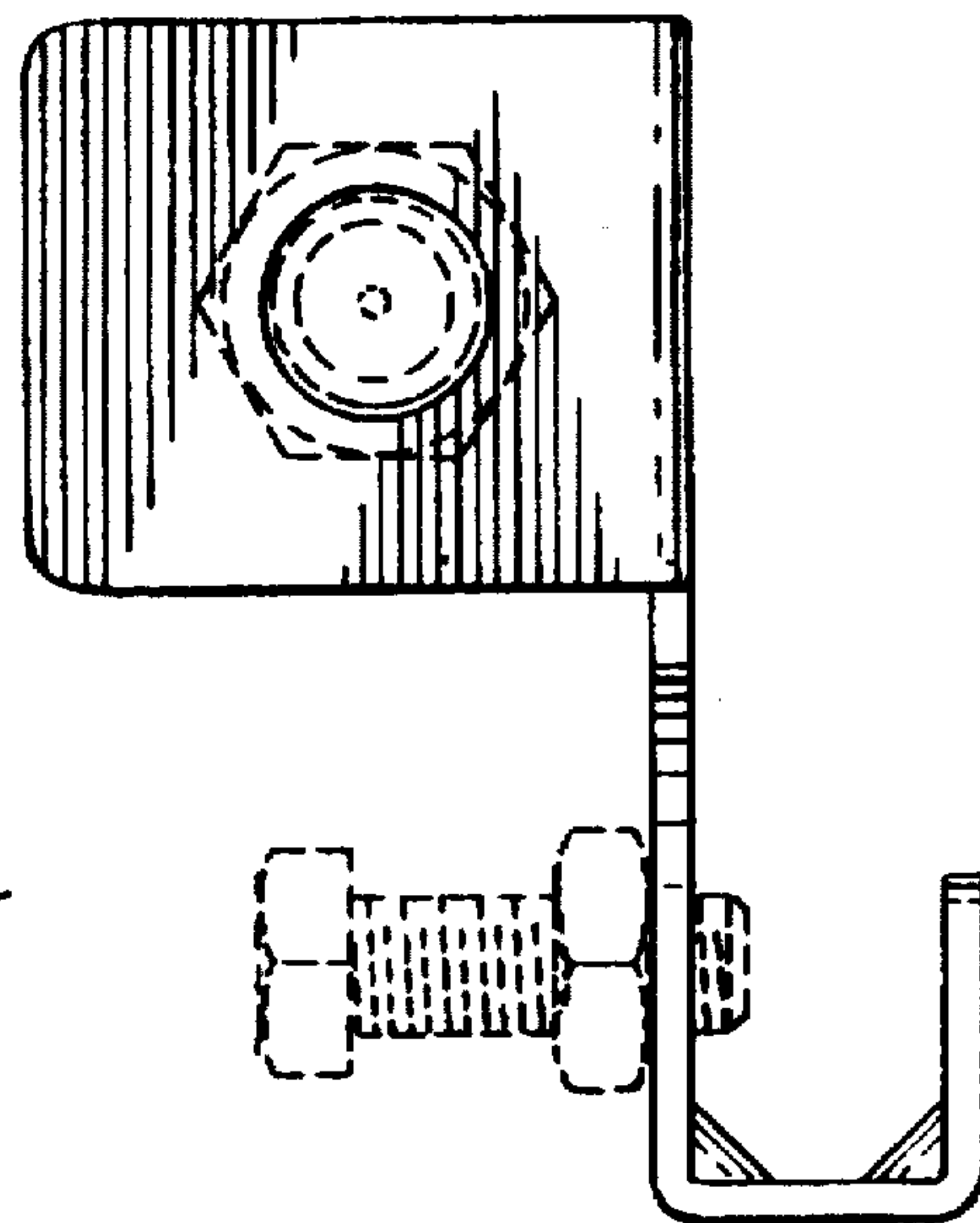


Fig. 6

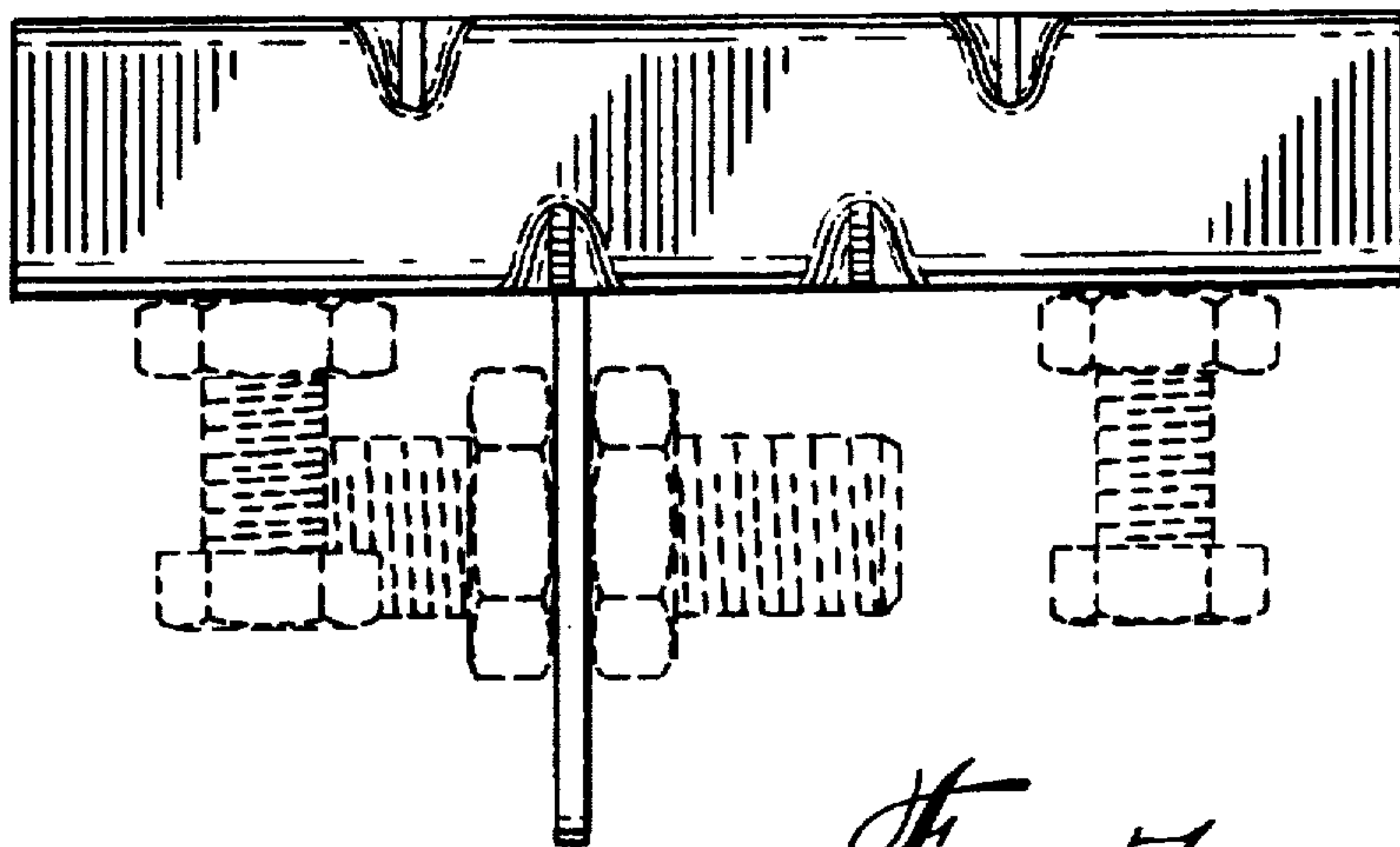


Fig. 7