



US00D395996S

United States Patent [19]
Fischer

[11] **Patent Number:** **Des. 395,996**
[45] **Date of Patent:** ****Jul. 14, 1998**

[54] **ROTOR PLATE FOR BRACKET ASSEMBLY**

3,672,622 6/1972 Breslow 248/223.41

[76] **Inventor:** **Roy Fischer**, 7641 E. Gray Rd.,
Scottsdale, Ariz. 85260

Primary Examiner—Holly Baynham
Attorney, Agent, or Firm—Gregory J. Nelson

[**] **Term:** **14 Years**

[57] **CLAIM**

[21] **Appl. No.:** **71,766**

The ornamental design for a rotor plate for bracket assembly,
as shown and described.

[22] **Filed:** **Jun. 6, 1997**

DESCRIPTION

[51] **LOC (6) Cl.** **08-05**

FIG. 1 is a perspective view showing the rotor plate for
bracket assembly of my new design;

[52] **U.S. Cl.** **D8/349**

FIG. 2 is a top view thereof;

[58] **Field of Search** 248/200, 201,

FIG. 3 is a bottom view thereof;

248/300, 205.1, 284, 278, 346, 223.41;

FIG. 4 is side view thereof;

D8/349, 354, 356

FIG. 5 is a front view thereof; and,

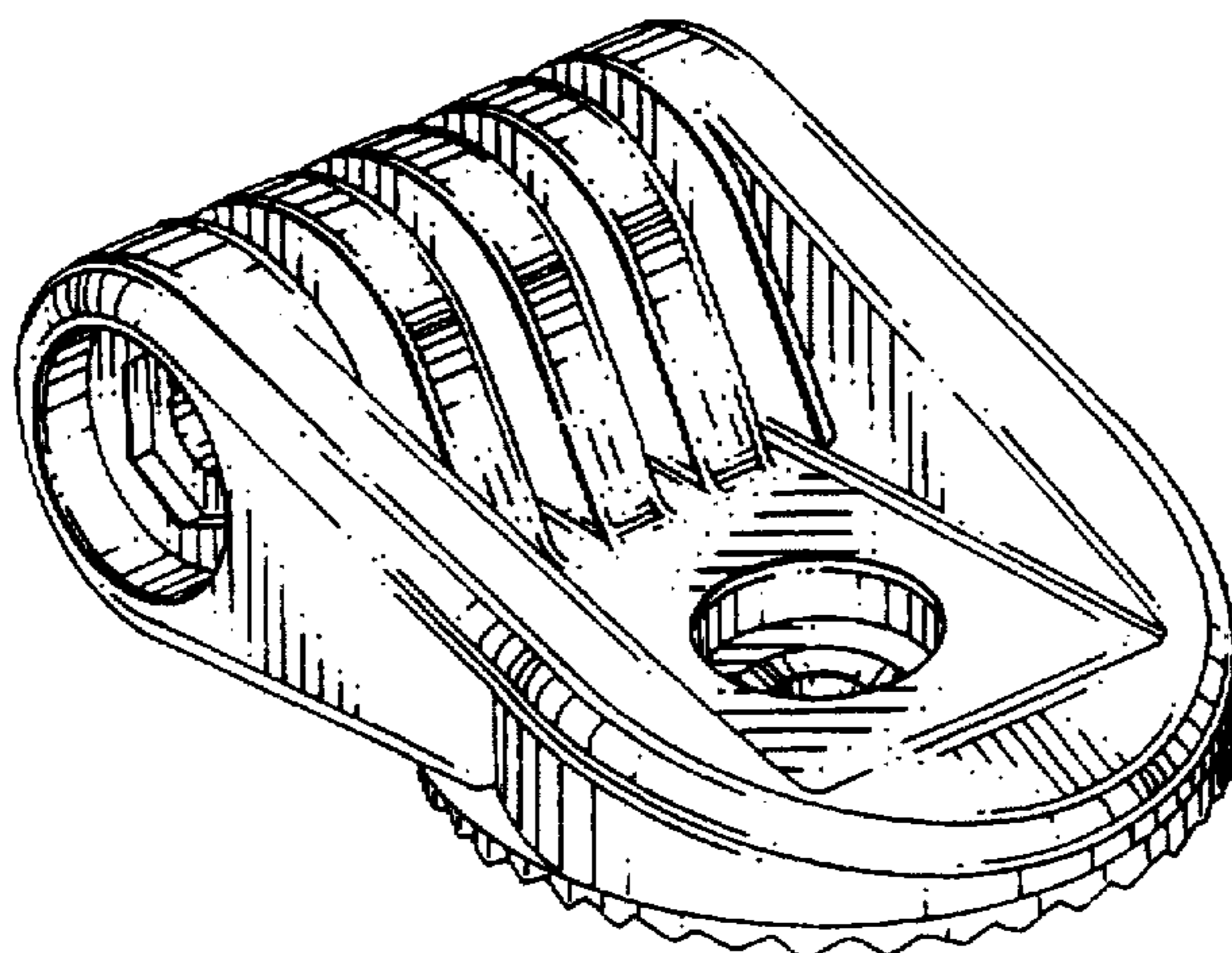
[56] **References Cited**

FIG. 6 is a rear view of the rotor plate for bracket assembly
of my new design.

U.S. PATENT DOCUMENTS

D. 371,861 7/1996 Stamm D8/354 X

1 Claim, 1 Drawing Sheet



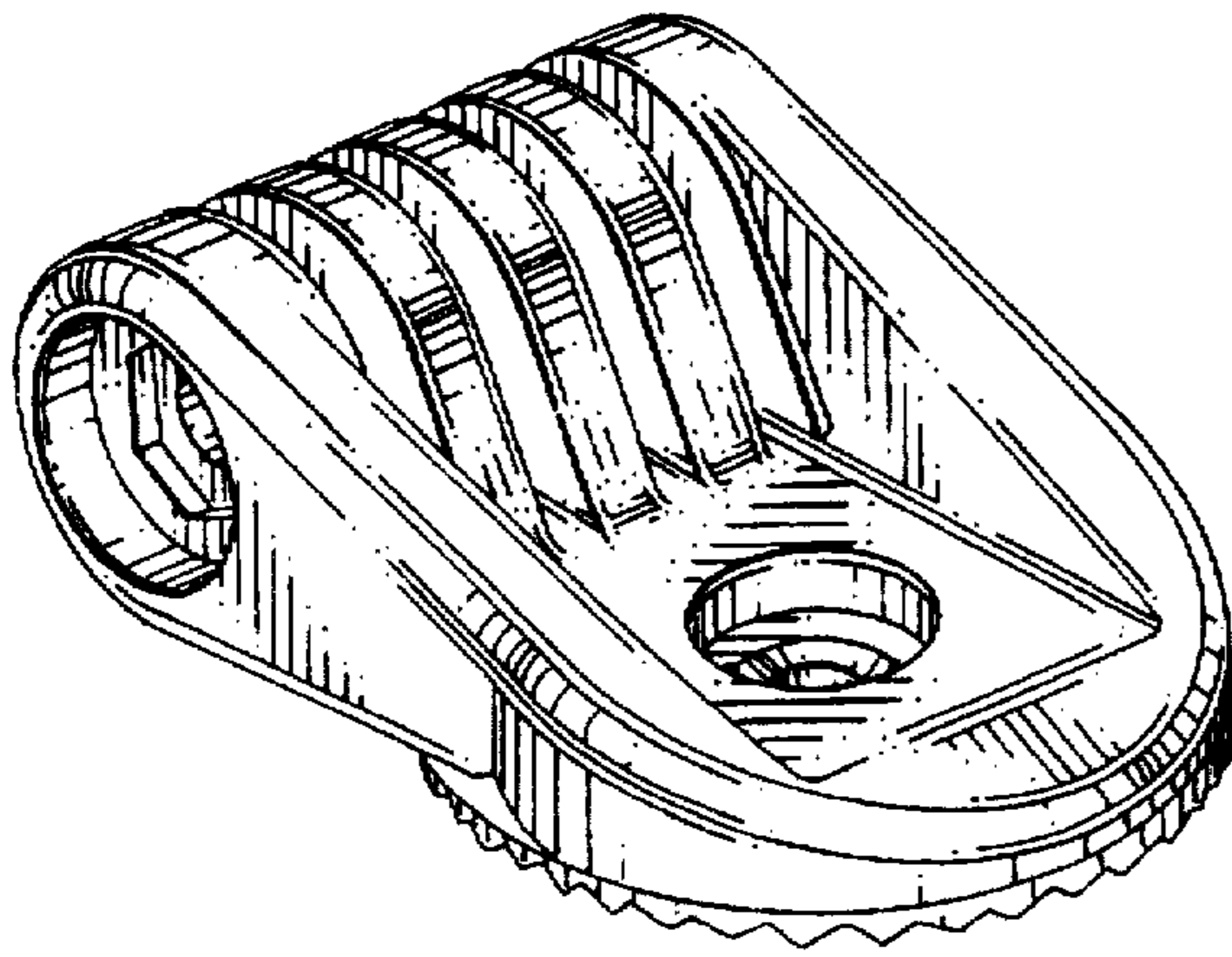


FIG. 1

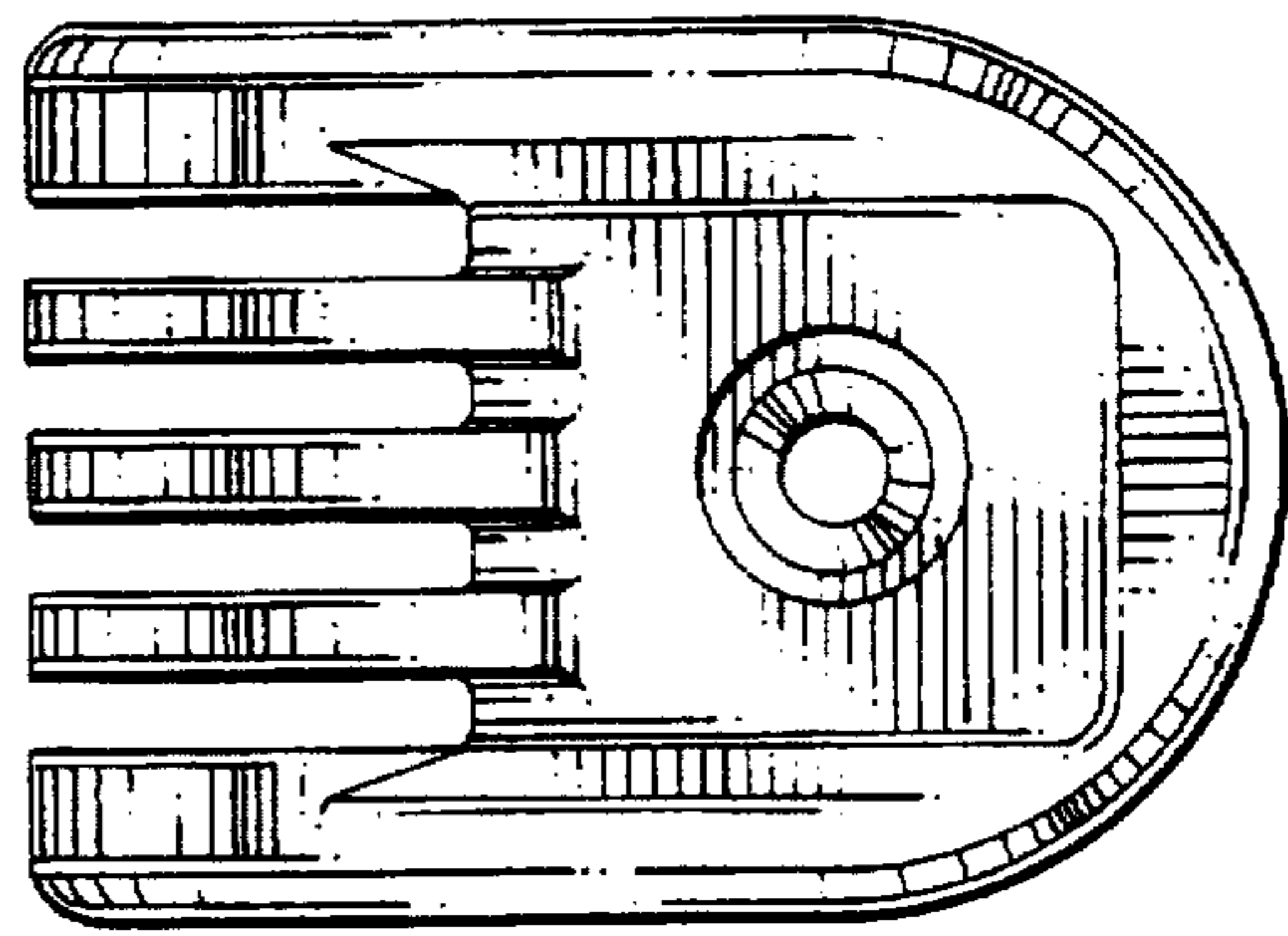


FIG. 2

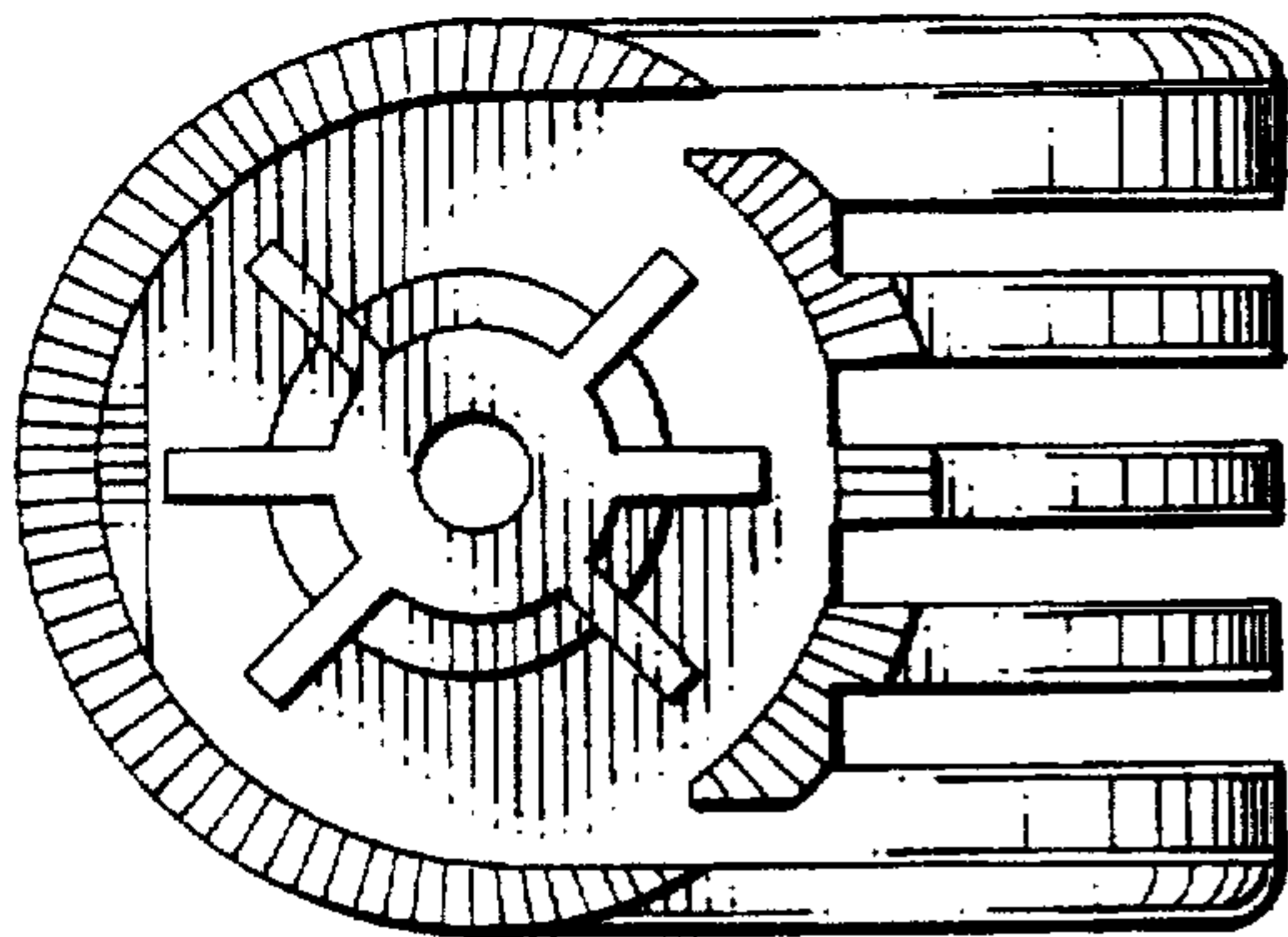


FIG. 3

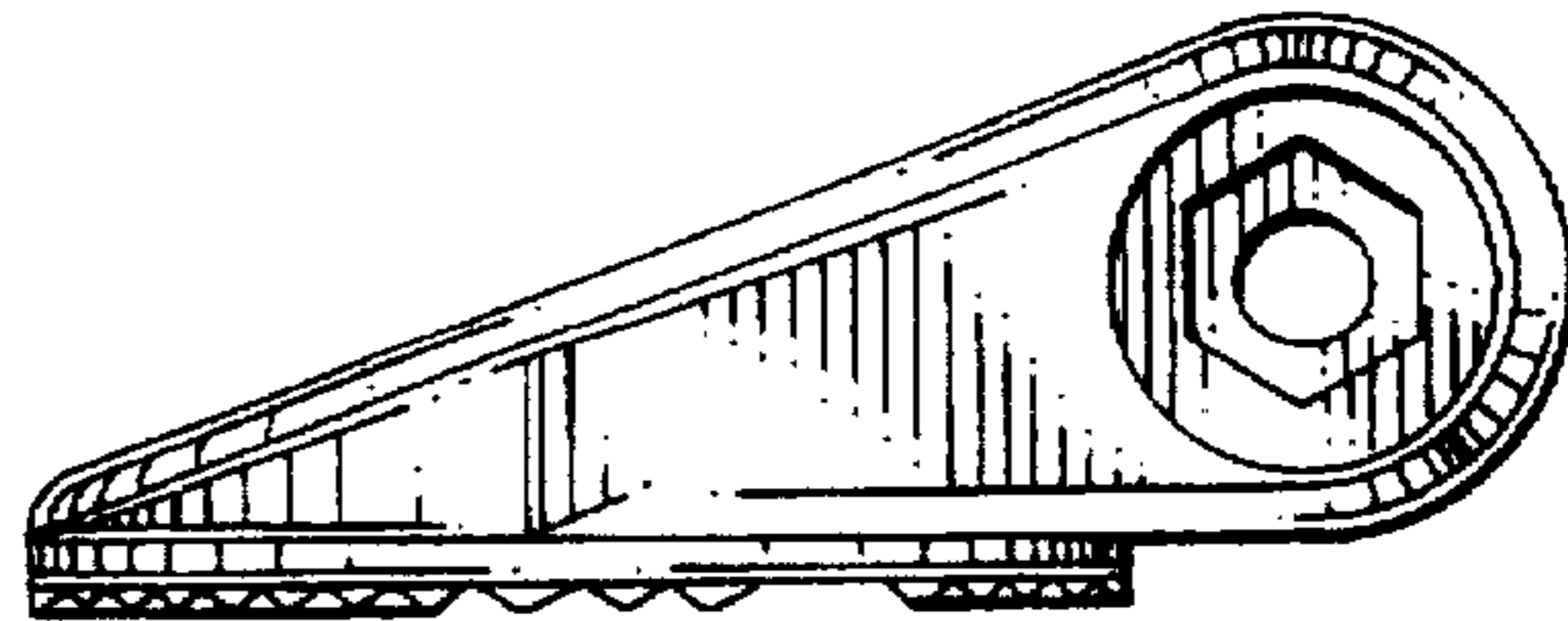


FIG. 4

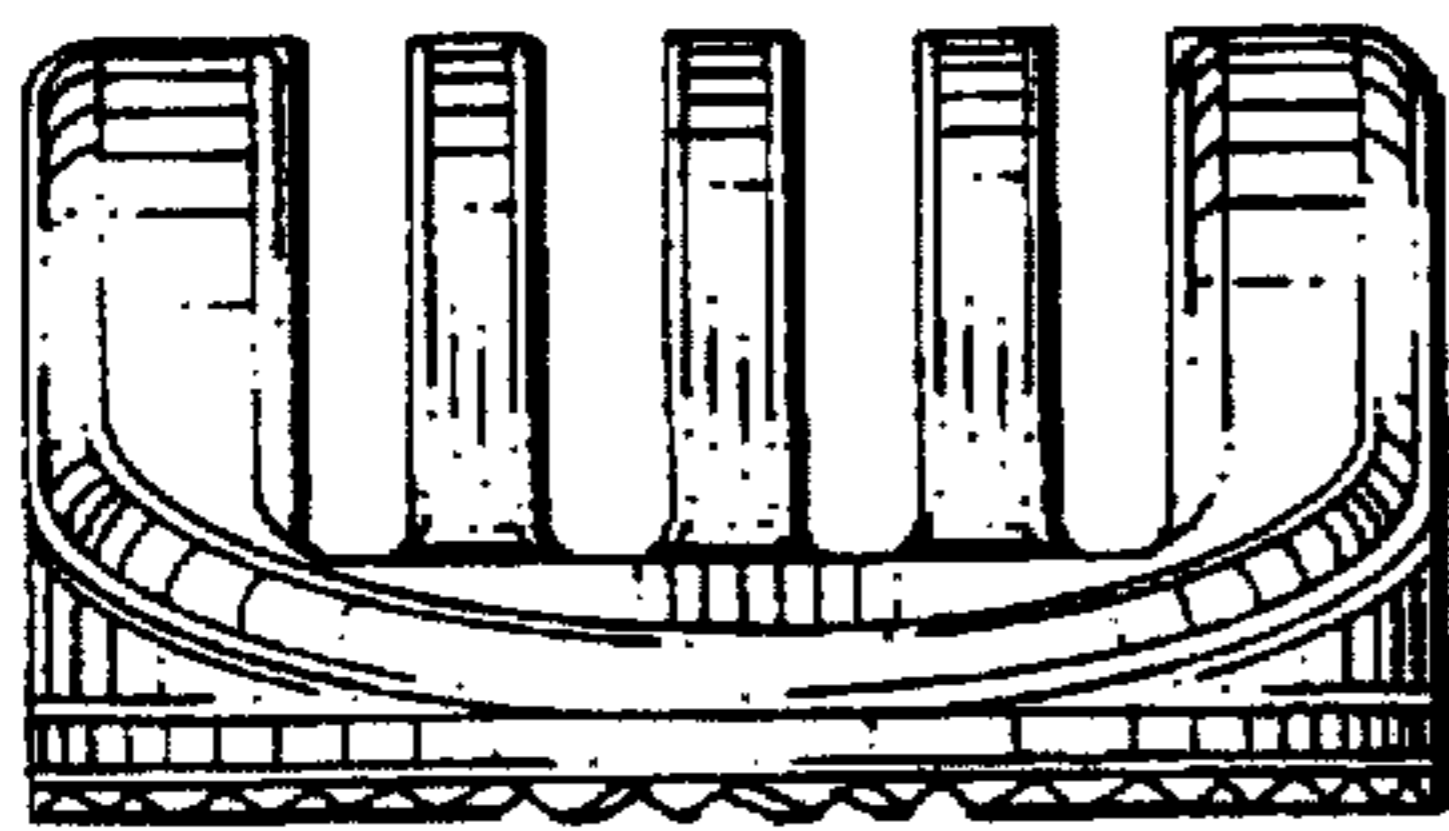


FIG. 5

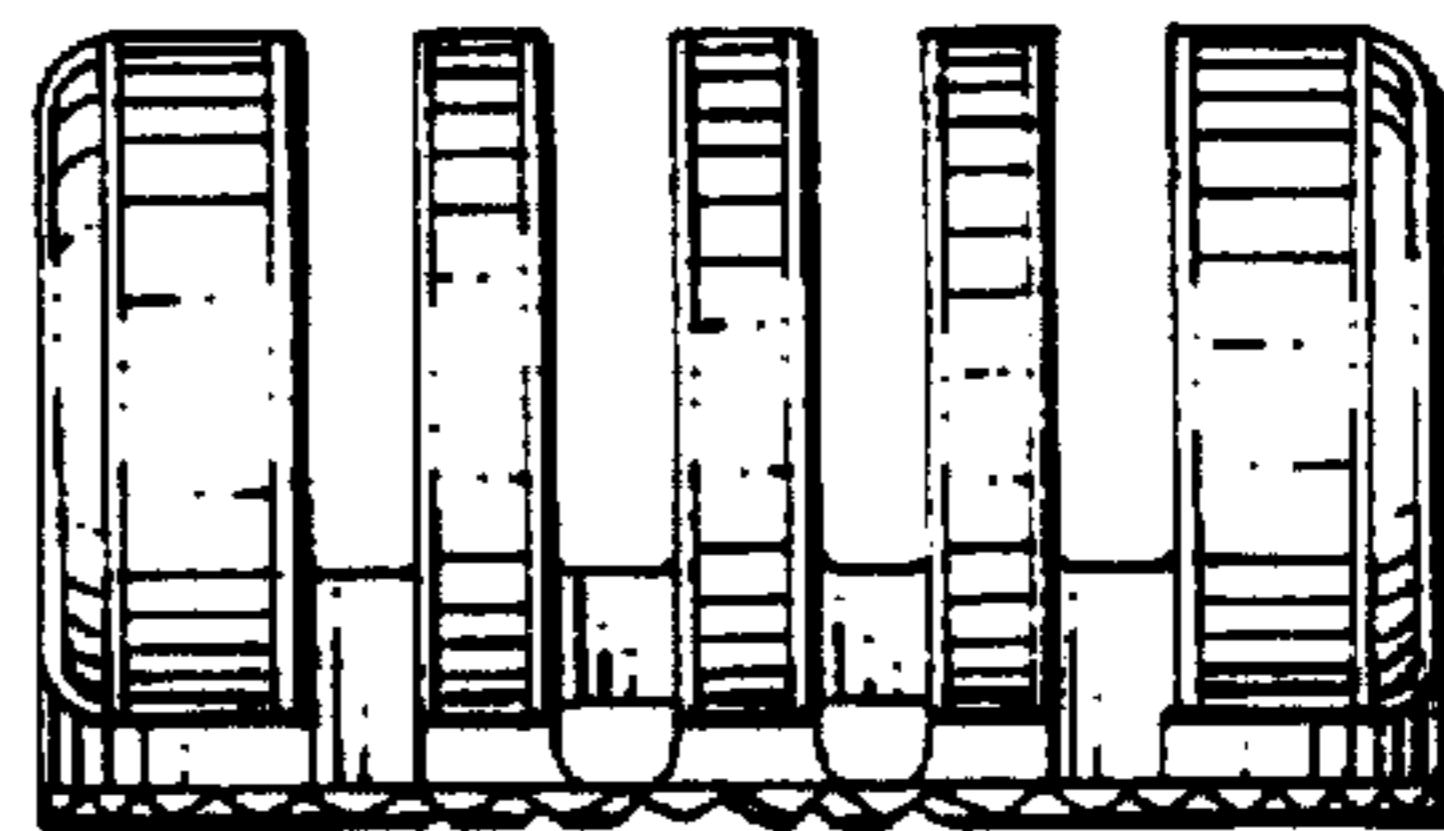


FIG. 6