



US00D395994S

United States Patent [19]
Hall, Jr.

[11] **Patent Number: Des. 395,994**
[45] **Date of Patent: **Jul. 14, 1998**

[54] **CAM LATCH EXTRUSION FOR A TRAILER DOOR**

D. 353,318 12/1994 Lee D8/343
D. 353,533 12/1994 Lee D8/343
3,921,422 11/1975 Walters 70/104 X

[75] Inventor: **Roland K. Hall, Jr.**, Bokchito, Okla.

Primary Examiner—Brian N. Vinson
Attorney, Agent, or Firm—Baker & Daniels

[73] Assignee: **Sundowner Trailers, Inc.**, Coleman, Okla.

[57] **CLAIM**

[**] Term: **14 Years**

An ornamental design for a cam latch extrusion for a trailer door, as shown and described.

[21] Appl. No.: **65,210**

DESCRIPTION

[22] Filed: **Jan. 23, 1997**

[51] **LOC (6) Cl.** **08-07**

[52] **U.S. Cl.** **D8/343**

[58] **Field of Search** D8/330-331, 336, D8/338, 343; D25/102, 119, 124; 70/91, 101, 102, 104, 437; 292/95, 111, 124, 132, 98, 159, 169, 187, 140, 215, 224, 234, 197

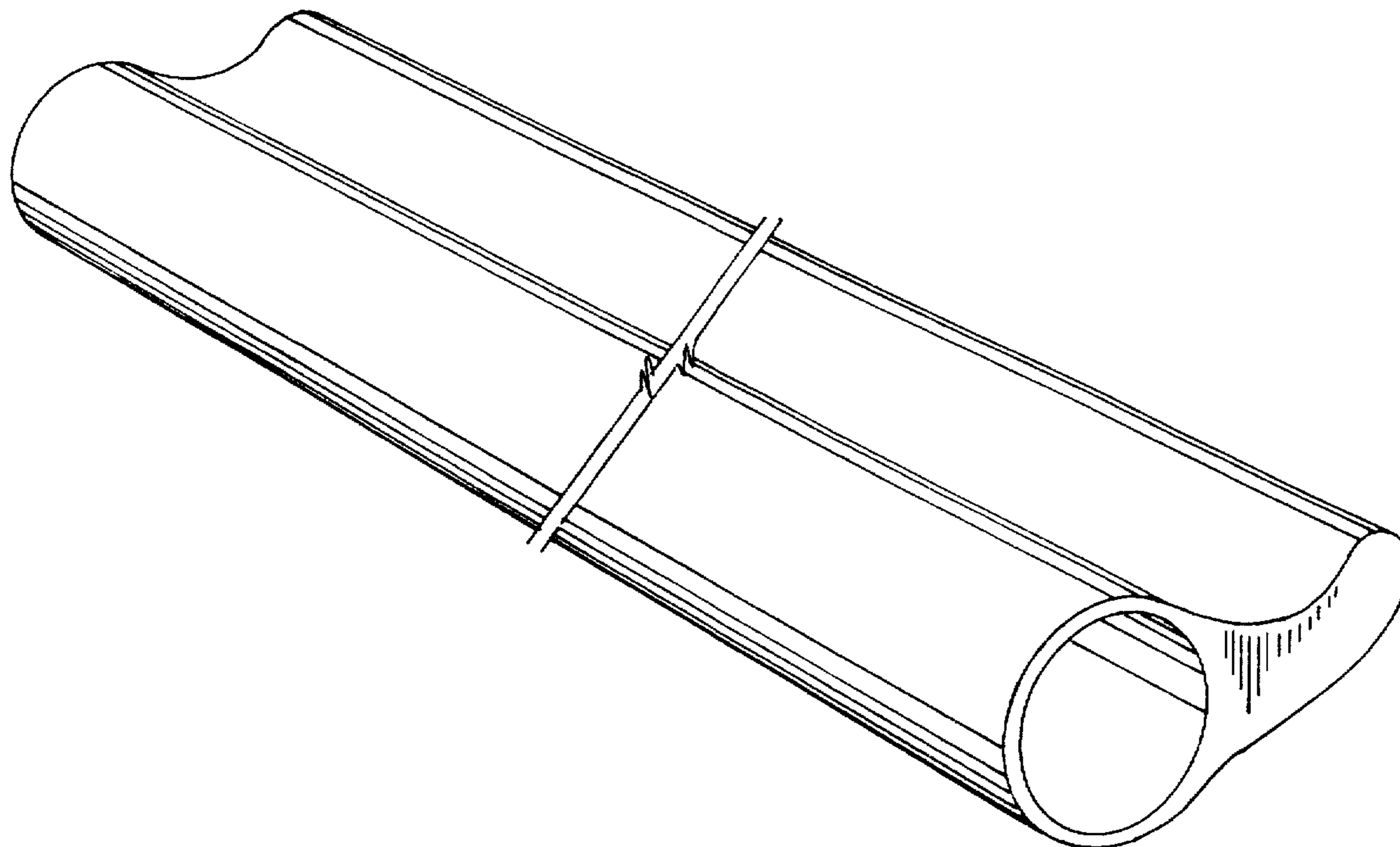
FIG. 1 is a perspective view of a cam latch extrusion for a trailer door illustrating my new design;
FIG. 2 is a perspective view of the cam latch extrusion for a trailer door illustrated in FIG. 1 shown installed on the rear door of a trailer for transporting horses or other livestock; the broken lines are for environmental purposes only and form no part of the claimed design;
FIG. 3 is an enlarged end view of the cam latch extrusion for a trailer door shown in FIGS. 1 and 2, taken substantially from the circumscribed portion of FIG. 2, the opposite end view being the mirror image of that shown; and,
FIG. 4 is an enlarged front view of the cam latch extrusion for a trailer door shown in FIGS. 1 and 3.

[56] **References Cited**

U.S. PATENT DOCUMENTS

D. 228,169 8/1973 Morris D8/343
D. 242,428 11/1976 Morris D8/343
D. 247,871 5/1978 Shaw et al. D8/343
D. 294,452 3/1988 Bakula D8/343

1 Claim, 3 Drawing Sheets



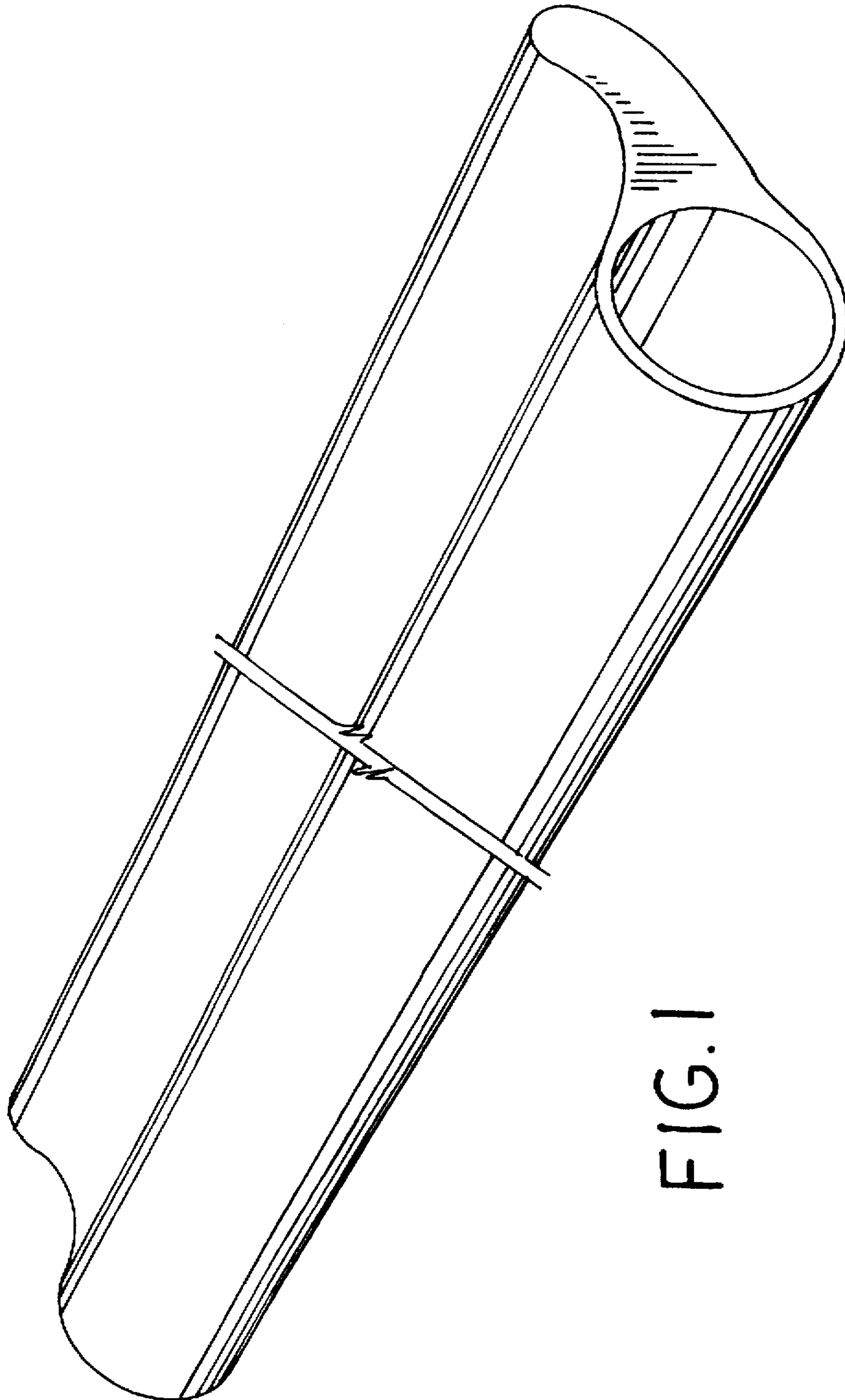


FIG. 1

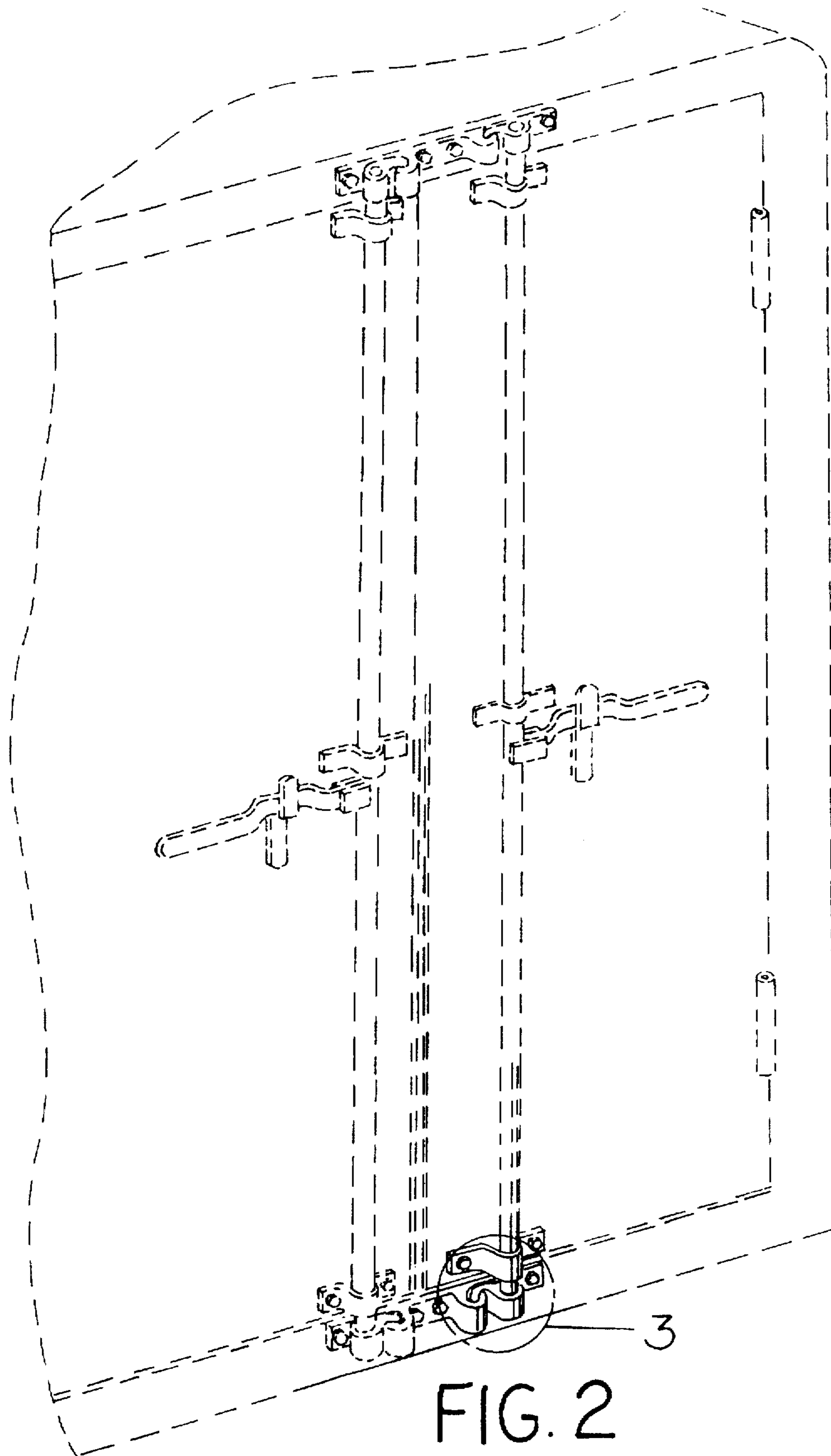


FIG. 2

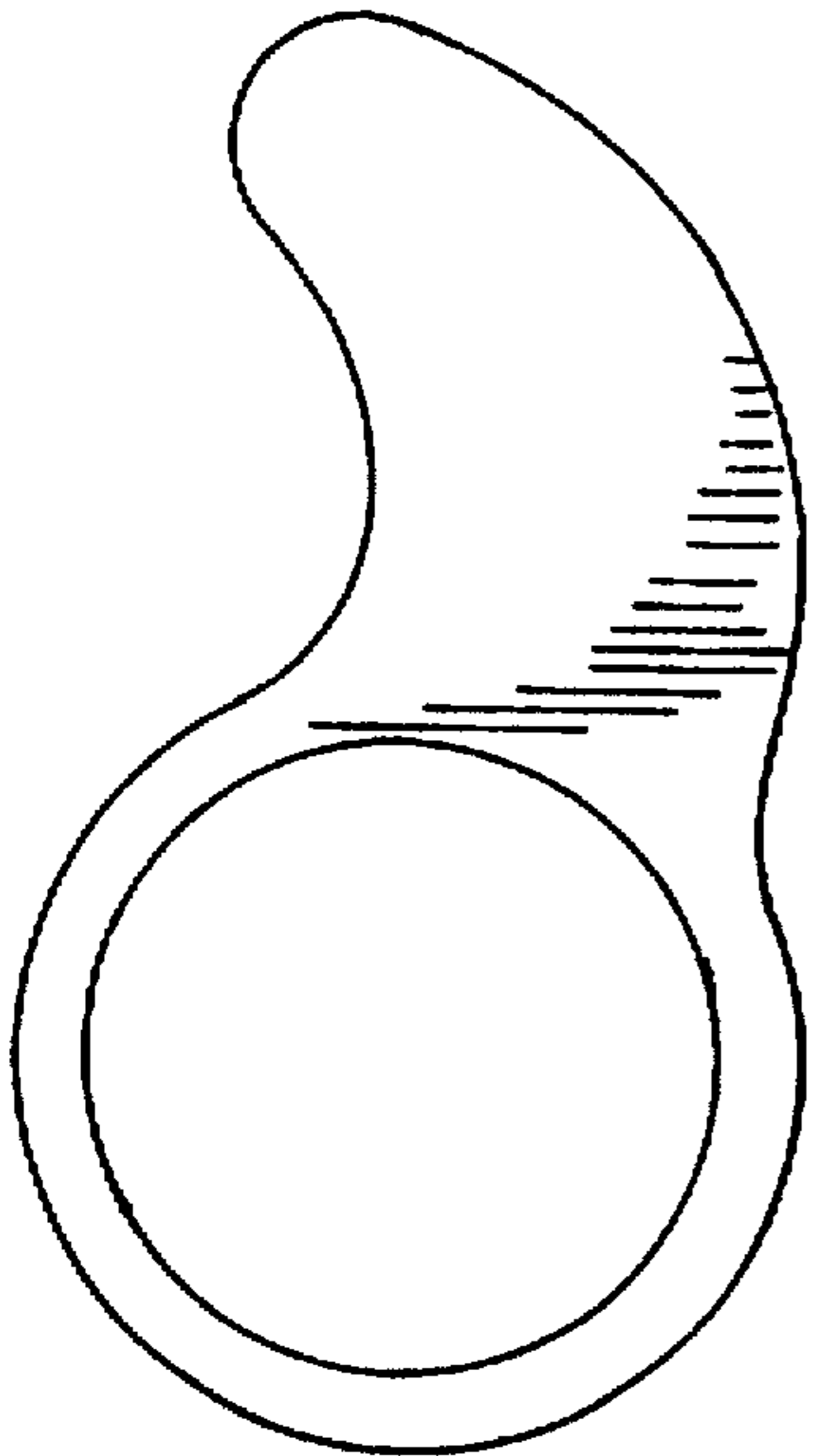


FIG. 3

FIG. 4

