



US00D395992S

United States Patent [19]

Bennett et al.

[11] Patent Number: Des. 395,992

[45] Date of Patent: **Jul. 14, 1998

[54] SCISSORS

[75] Inventors: Kyle M. Bennett, Wausau; Robert W. Cornell, Schofield, both of Wis.

[73] Assignee: Fiskars Oy AB, Helsinki, Finland

[**] Term: 14 Years

[21] Appl. No.: 74,377

[22] Filed: Jul. 18, 1997

Related U.S. Application Data

[63] Continuation-in-part of Ser. No. 47,807, Nov. 6, 1995, Pat. No. Des. 383,957, which is a continuation-in-part of Ser. No. 28,298, Sep. 12, 1994, Pat. No. Des. 363,866.

[51] LOC (6) Cl. 08-03

[52] U.S. Cl. D8/57

[58] Field of Search D8/57, 89, 99, D8/105; D19/65, 99, 100; 30/194, 195, 230-235, 238, 255, 244, 120, 145, 146, 341, 254, 256, 260, 266

[56] References Cited

U.S. PATENT DOCUMENTS

- D. 254,420 3/1980 Bäckström .
- D. 267,309 12/1982 Lindén .
- D. 267,773 2/1983 Lindén .
- D. 272,227 1/1984 Lindén .
- D. 277,450 2/1985 Hayashi .
- D. 279,760 7/1985 Asano D8/57
- D. 316,802 5/1991 Yamagishi .
- D. 318,780 8/1991 Bendickson et al. .
- D. 337,036 7/1993 Williams D8/57
- D. 344,225 2/1994 Hendon et al. .
- D. 358,748 5/1995 Ramsey .
- D. 363,866 11/1995 Ramsey et al. D8/57
- D. 365,004 12/1995 Ramsey et al. D8/57

- D. 383,957 9/1997 Cornell D8/57
- 529,513 9/1894 Wheeler et al. 30/341 X
- 2,600,036 6/1952 Wertejony et al. 30/230 X
- 2,682,108 6/1954 Shaler .
- 3,913,422 10/1975 Weber .
- 3,987,542 10/1976 Visco .
- 4,074,430 2/1978 Sugiyama .
- 5,341,573 8/1994 Lindén .
- 5,379,521 1/1995 Lynders .

OTHER PUBLICATIONS

Copy of Pentech 8" All-Purpose Grip Scissors, No. 86630, front and back views date unknown.
 Wing Kwong Scissors Factory, Ltd., Items S811 and S900, HKE Mar. 1989, p. 362.
 Office Products, Item 113-C "Straight Trimmers", p. 310-1978.
 Flyer, "Scissors Molded to Your Hand", 1 page, (Sep. 10, 1975).

Primary Examiner—Martie Thompson
 Attorney, Agent, or Firm—Foley & Lardner

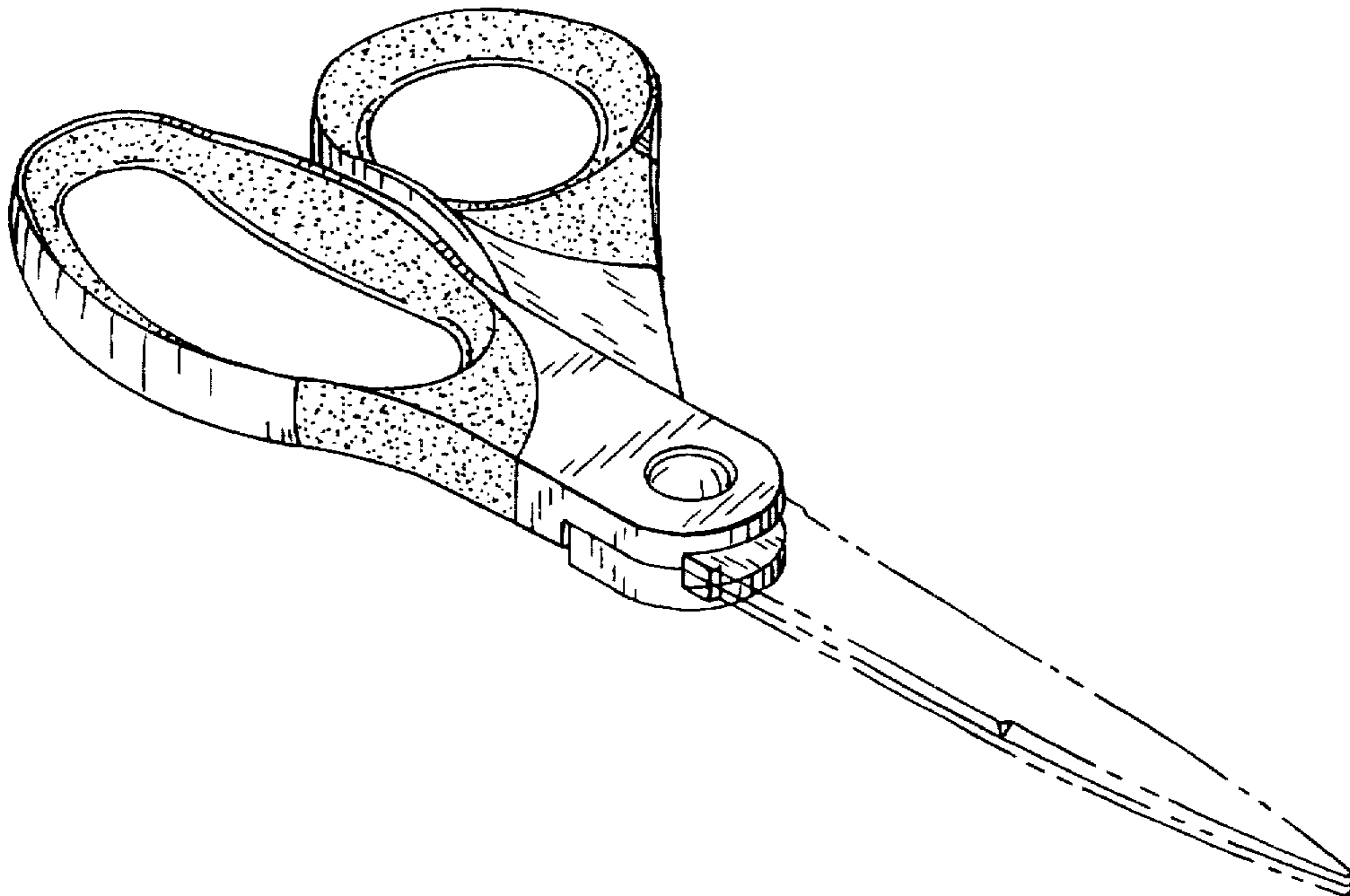
[57] CLAIM

The ornamental design for the scissors, as shown and described.

DESCRIPTION

FIG. 1 is a perspective view of a scissors showing our new design;
 FIG. 2 is a front elevational view thereof;
 FIG. 3 is a rear elevational view thereof;
 FIG. 4 is a top plan view thereof;
 FIG. 5 is a bottom plan view thereof;
 FIG. 6 is a right side elevational view thereof; and,
 FIG. 7 is a left side elevational view thereof.
 The broken line showing of the blades is for illustrative purposes only and forms no part of the claimed design.

1 Claim, 2 Drawing Sheets



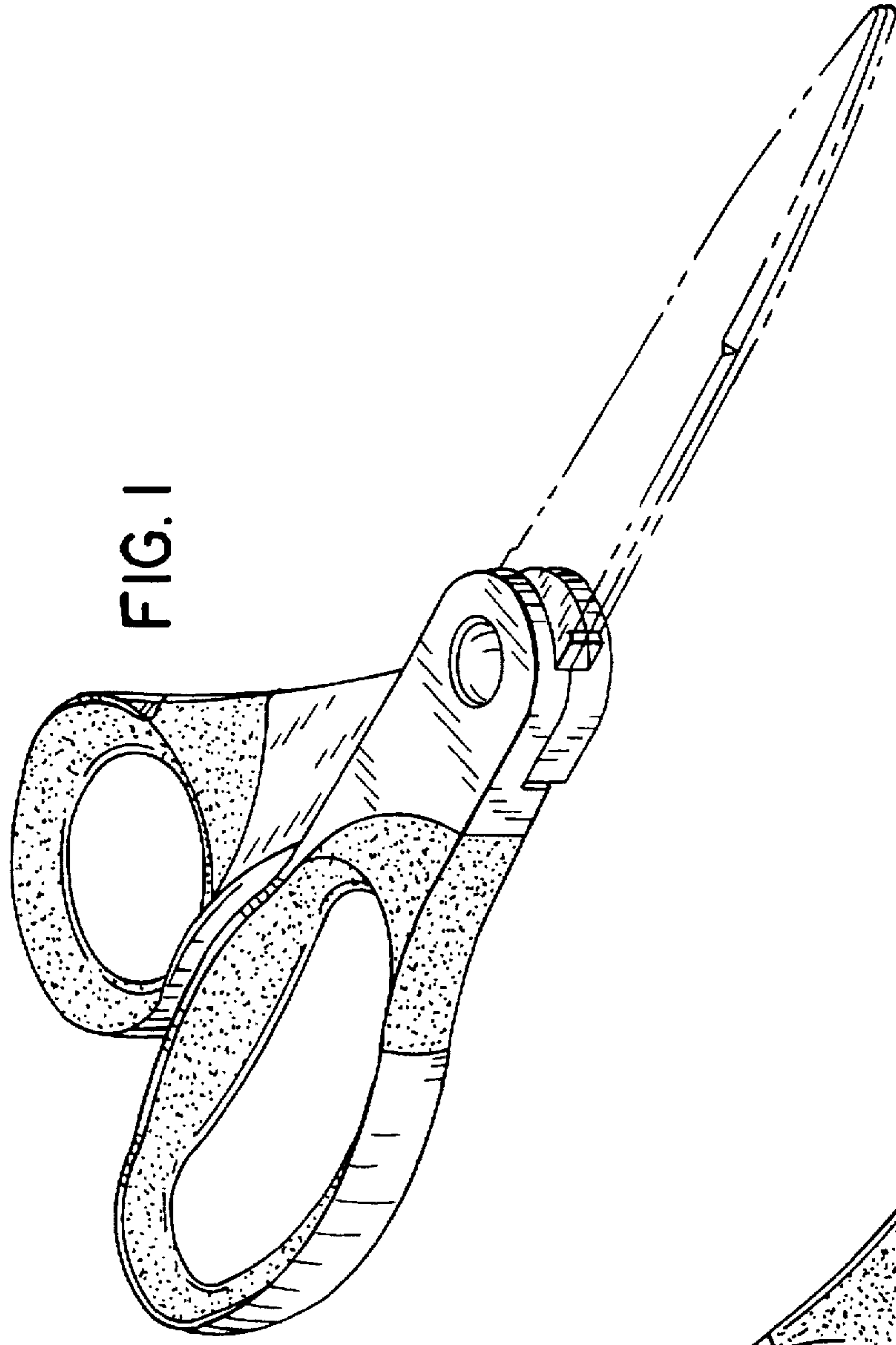


FIG. 1

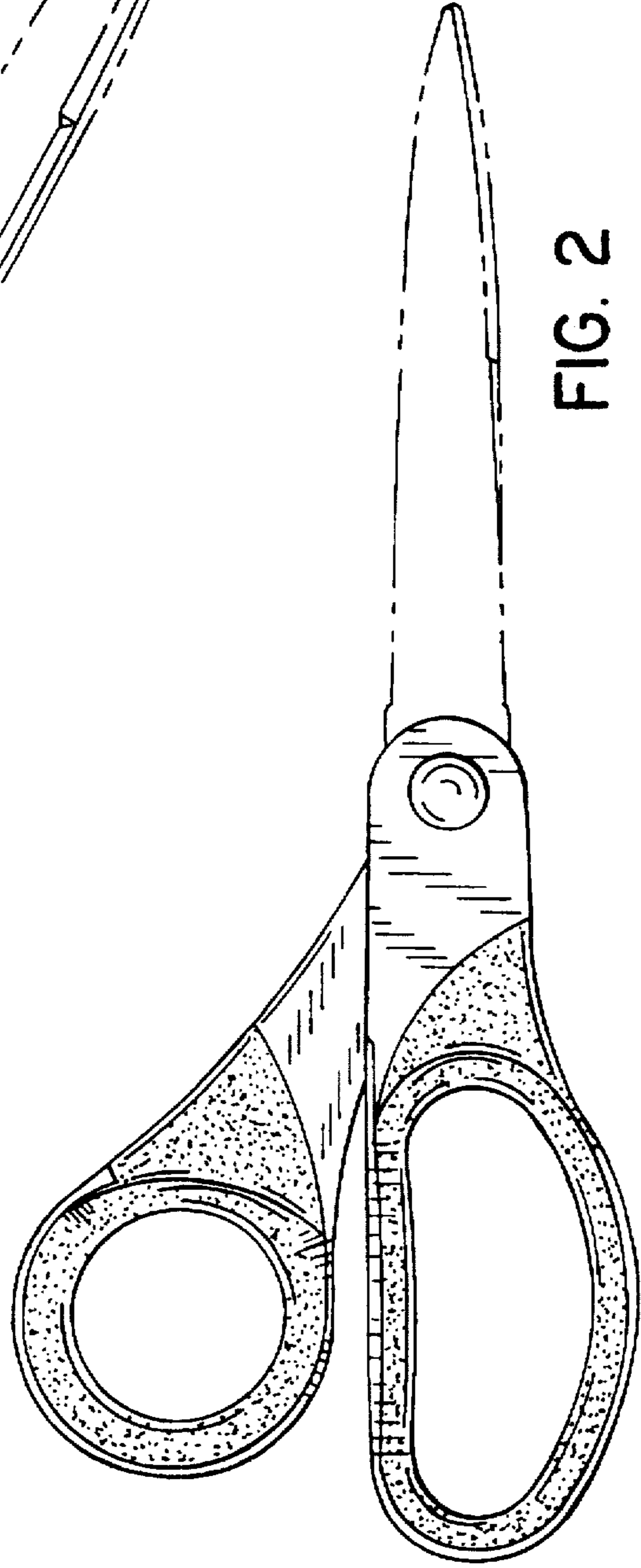


FIG. 2

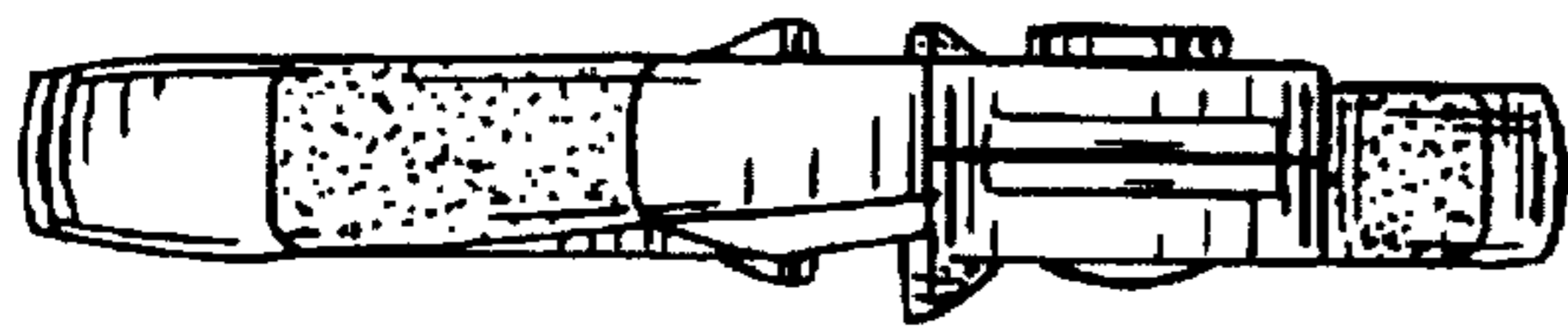


FIG. 6

FIG. 4

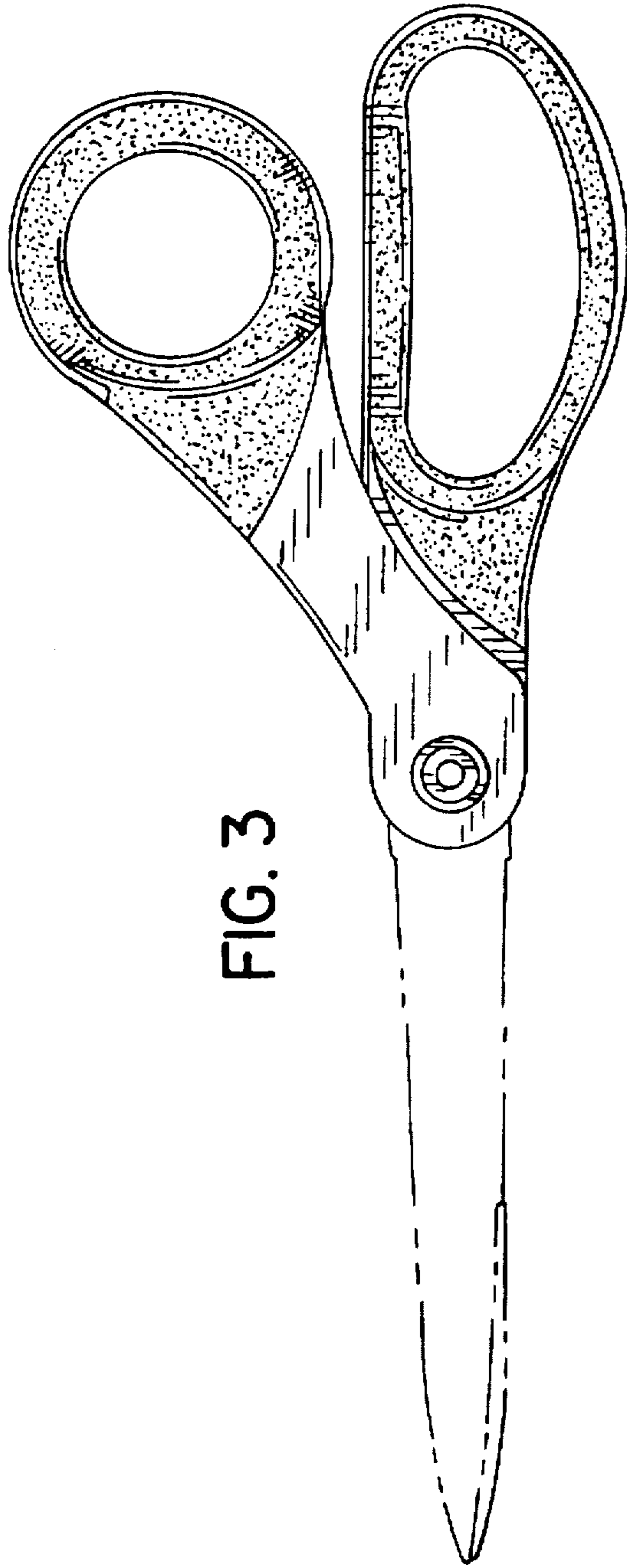
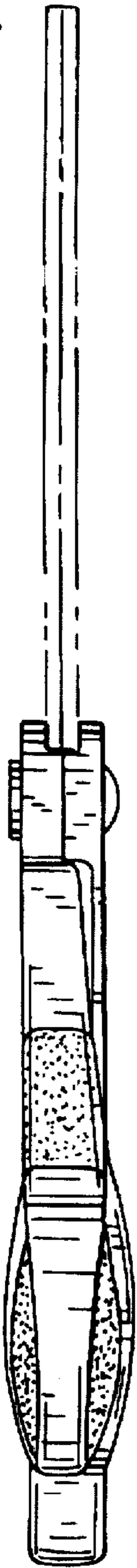


FIG. 3

FIG. 7

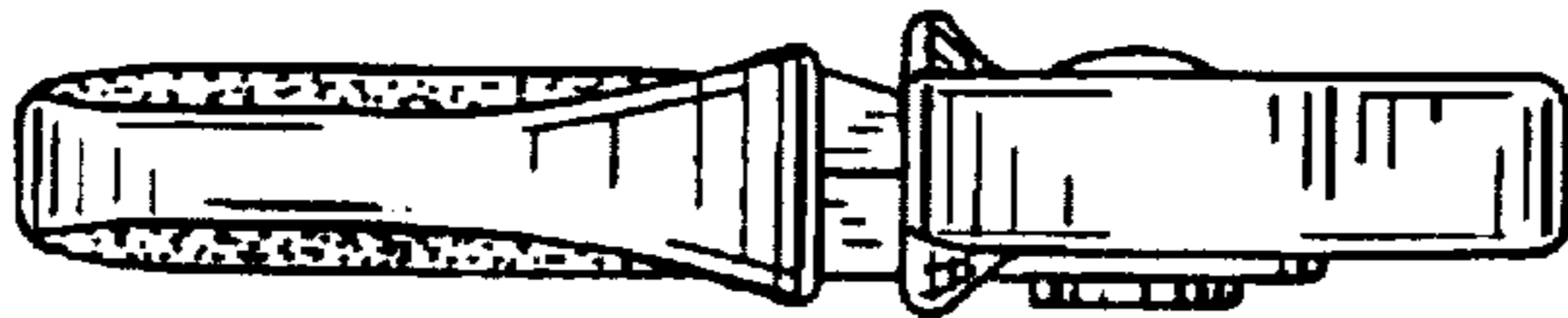


FIG. 5

