



US00D395990S

# United States Patent [19]

Willis

[11] Patent Number: Des. 395,990

[45] Date of Patent: \*\*Jul. 14, 1998

[54] **CUTTING OPENER FOR PLASTIC PAILS**

[76] Inventor: **Charles H. Willis**, 823 Olympic Blvd., Everett, Wash. 98203

[\*\*] Term: **14 Years**

[21] Appl. No.: **11,201**

[22] Filed: **Jul. 29, 1993**

[51] LOC (6) Cl. .... **07-99**

[52] U.S. Cl. .... **D8/41**

[58] Field of Search ..... D8/18, 33-34, D8/40-43; 81/3.55, 3.57, 3.42, 3.09; 30/120.4, 430, 431, 445, 450

[56] **References Cited**

**U.S. PATENT DOCUMENTS**

D. 210,093	2/1968	Bliss	.....	D8/34
1,676,649	7/1928	Podel	.....	D8/18
2,796,782	6/1957	Rosenthal	.....	81/3.42
2,800,712	7/1957	Jernegan	.....	30/450

4,287,794 9/1981 Kubach et al. .... D8/41  
5,069,090 12/1991 Clark ..... 81/3.09

*Primary Examiner*—Prabhakar G. Deshmukh

*Assistant Examiner*—Adir Aronovich

*Attorney, Agent, or Firm*—Todd N. Hathaway

[57] **CLAIM**

The ornamental design for a cutting opener for plastic pails, as shown and described.

**DESCRIPTION**

FIG. 1 is a perspective view of a cutting opener for plastic pails, the broken lines shown for illustrative purposes only; FIG. 2 is a side elevational view thereof; FIG. 3 is a top plan view thereof; FIG. 4 is a side elevational view opposite of that shown in FIG. 2; FIG. 5 is a bottom plan view thereof; FIG. 6 is a first end view thereof; and FIG. 7 is a second end view thereof.

**1 Claim, 2 Drawing Sheets**

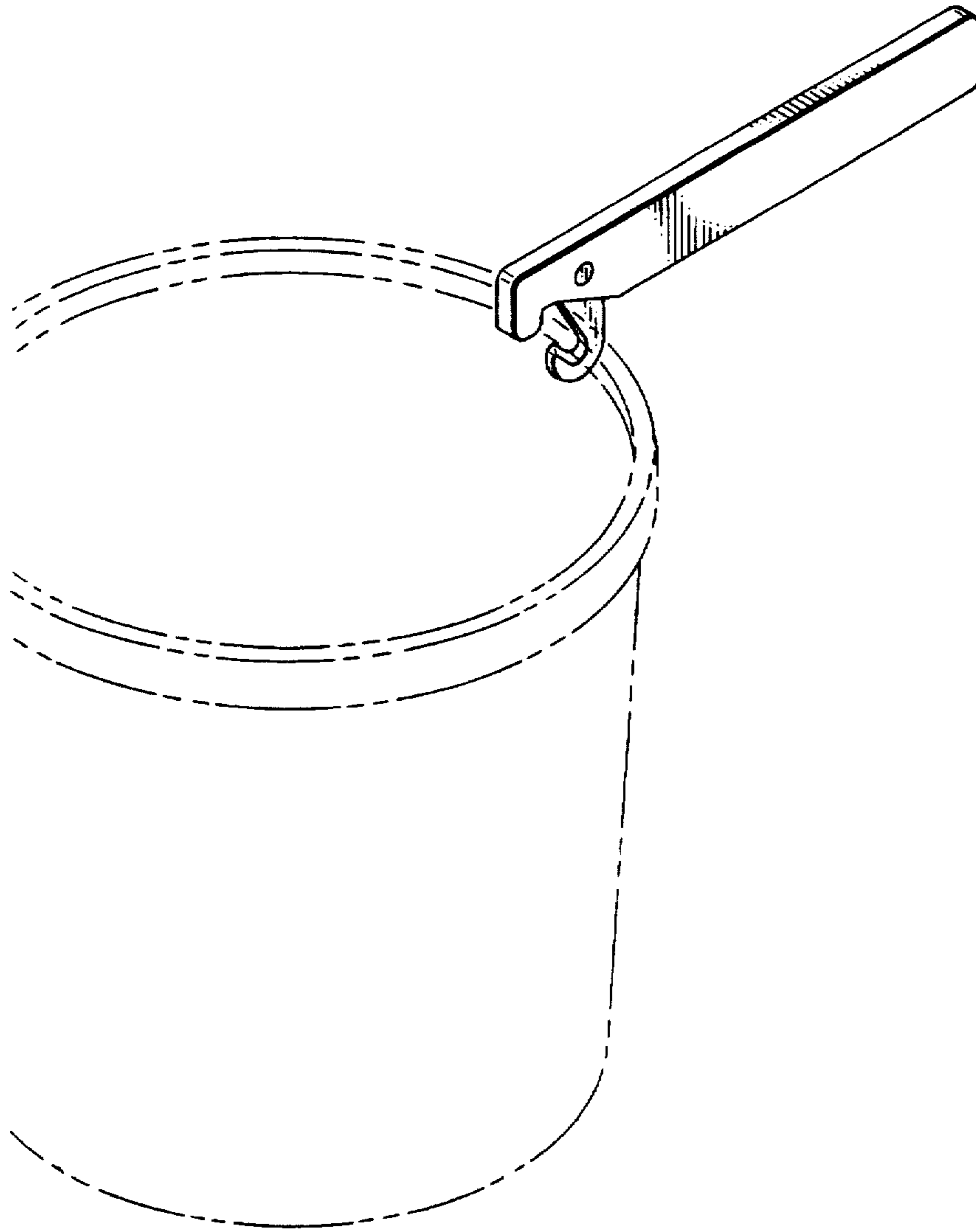


FIG. 1

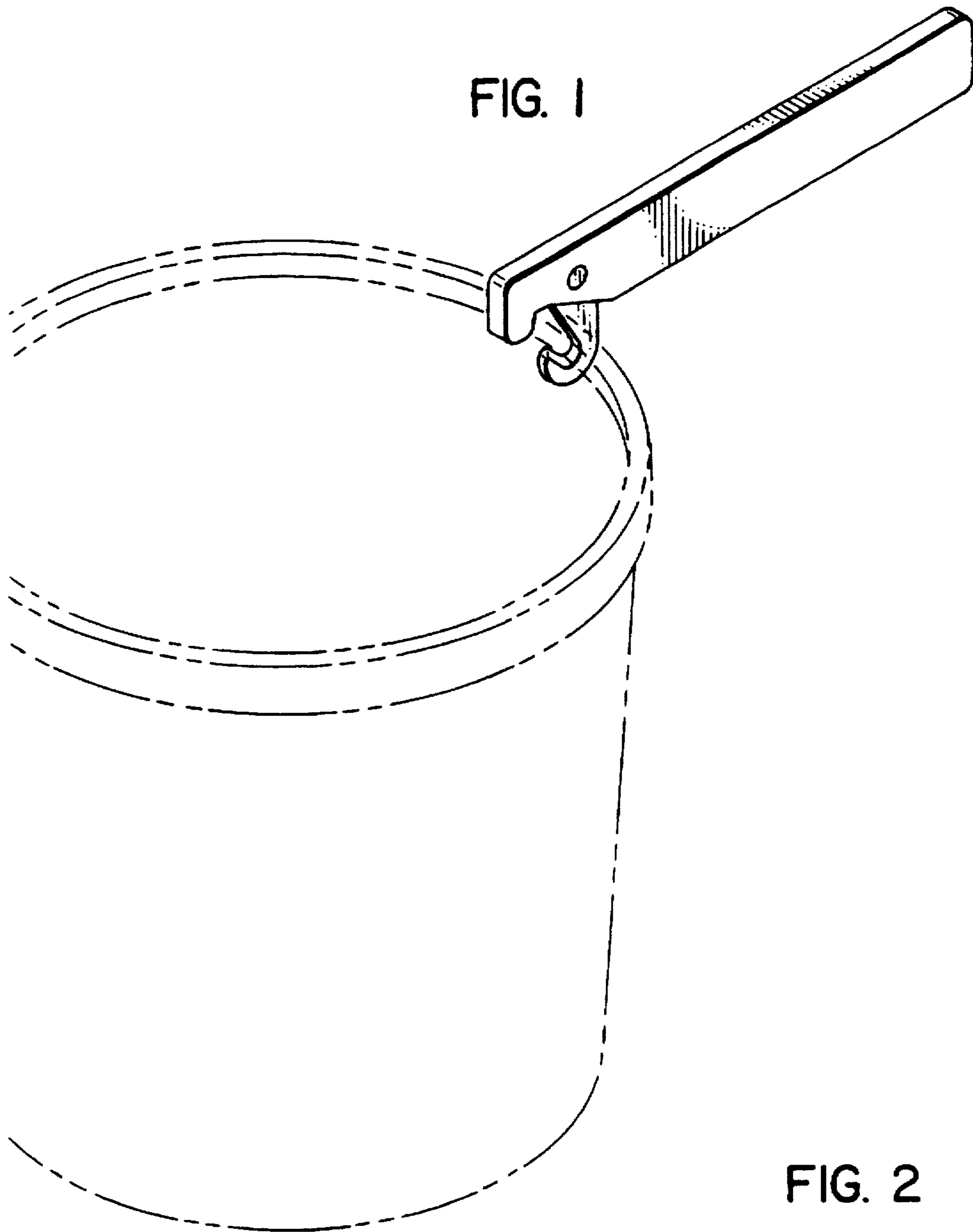


FIG. 2

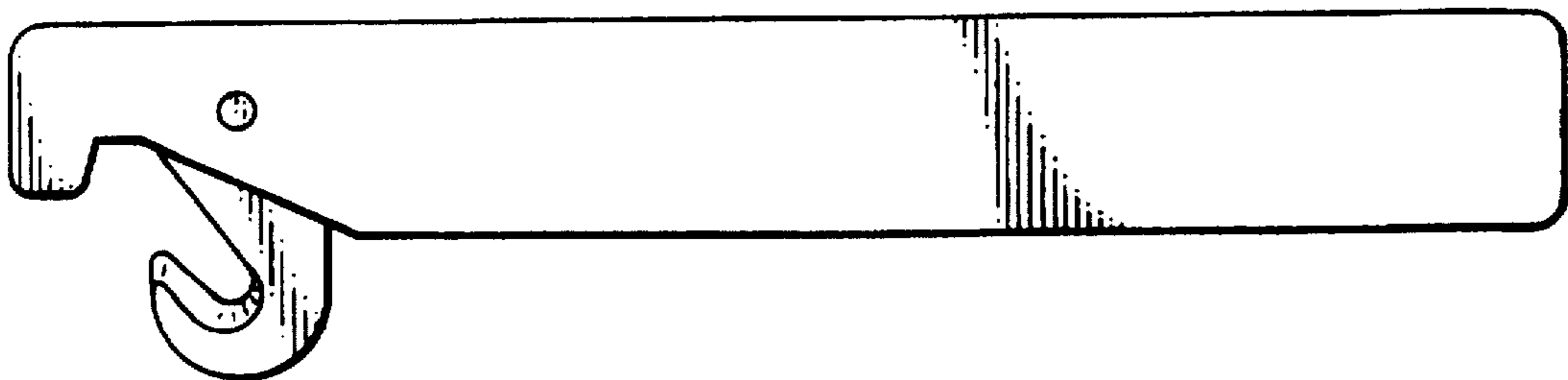


FIG. 3



FIG. 4

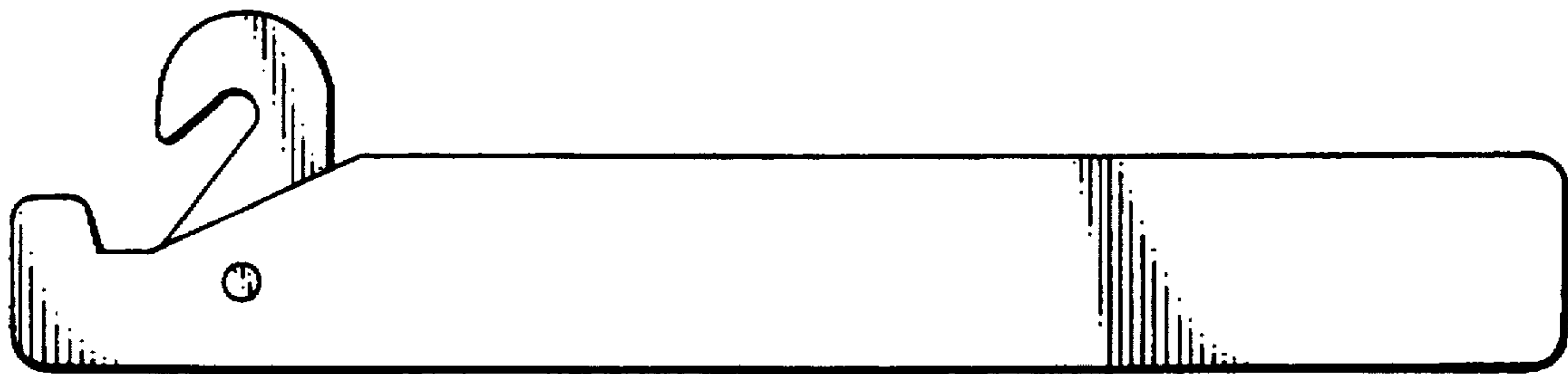


FIG. 5



FIG. 6



FIG. 7

