



US00D395979S

United States Patent [19]

[11] Patent Number: **Des. 395,979**

Picozza et al.

[45] Date of Patent: ****Jul. 14, 1998**

[54] GRILL

[75] Inventors: **Augusto A. Picozza**, Crystal Lake;
Henning J. Speyer, Downers Grove,
both of Ill.

[73] Assignee: **Sunbeam Products, Inc.**, Delray
Beach, Fla.

[**] Term: **14 Years**

[21] Appl. No.: **61,692**

[22] Filed: **Oct. 29, 1996**

[51] LOC (6) Cl. **07-02**

[52] U.S. Cl. **D7/334**

[58] Field of Search **D7/332-337, 402-404;**
126/25 R, 25 A, 25 AA, 29-30

| | | | |
|-----------|---------|--------------------|----------|
| 4,523,574 | 6/1985 | Schlosser . | |
| 4,535,749 | 8/1985 | Schlosser et al. . | |
| 4,593,676 | 6/1986 | Wackerman . | |
| 4,635,613 | 1/1987 | Tucker et al. . | |
| 4,688,541 | 8/1987 | Stephen et al. . | |
| 4,777,927 | 10/1988 | Stephen et al. . | |
| 4,836,179 | 6/1989 | Schlosser et al. . | |
| 4,926,841 | 5/1990 | Woolf . | |
| 5,036,832 | 8/1991 | Schlosser et al. . | |
| 5,666,941 | 9/1997 | Teufel et al. | 126/25 R |

OTHER PUBLICATIONS

Sunbeam 96 Barbecues Gaz A Pierres De Lave De Premiere
Classe Product Catalog.
Sunbeam 95 Product Catalog.
Sunbeam 1995 Barbecue Grills Products Catalog.

Primary Examiner—Ruth McInroy
Attorney, Agent, or Firm—Michael J. Kline; William E.
Kuss

[56] References Cited

U.S. PATENT DOCUMENTS

| | | | |
|------------|---------|----------------------|--------|
| D. 279,535 | 7/1985 | Taylor et al. | D7/335 |
| D. 284,929 | 8/1986 | Schlosser et al. . | |
| D. 324,622 | 3/1992 | Baynes et al. | D7/334 |
| D. 358,059 | 5/1995 | Peterson et al. | D7/334 |
| D. 363,640 | 10/1995 | King et al. . | |
| D. 364,257 | 11/1995 | King et al. . | |
| D. 369,716 | 5/1996 | Blanc | D7/332 |
| D. 373,701 | 9/1996 | Moore | D7/334 |
| 3,611,915 | 10/1971 | Glasser et al. . | |
| 3,714,937 | 2/1973 | Linstead . | |
| 3,734,076 | 5/1973 | Kiziol . | |
| 4,390,002 | 6/1983 | Daily, III . | |
| 4,453,530 | 6/1984 | Schlosser . | |

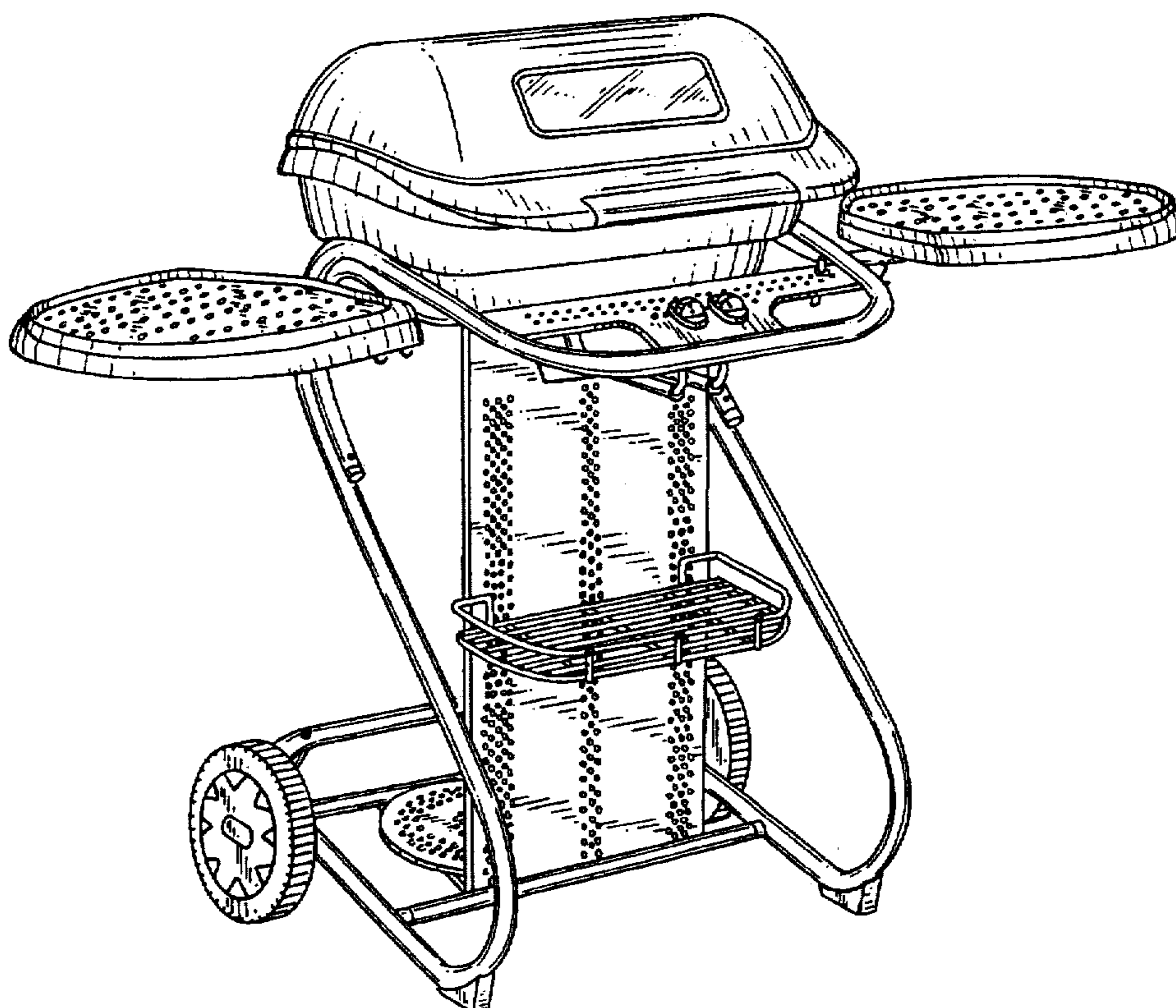
[57] CLAIM

The ornamental design for the grill, as shown and described.

DESCRIPTION

FIG. 1 is a front perspective view of a grill showing our new design;
FIG. 2 is a front elevational view thereof;
FIG. 3 is a rear elevational view thereof;
FIG. 4 is a top plan view thereof;
FIG. 5 is a bottom plan view thereof;
FIG. 6 is a left side elevational view thereof; and,
FIG. 7 is a right side elevational view thereof.

1 Claim, 7 Drawing Sheets



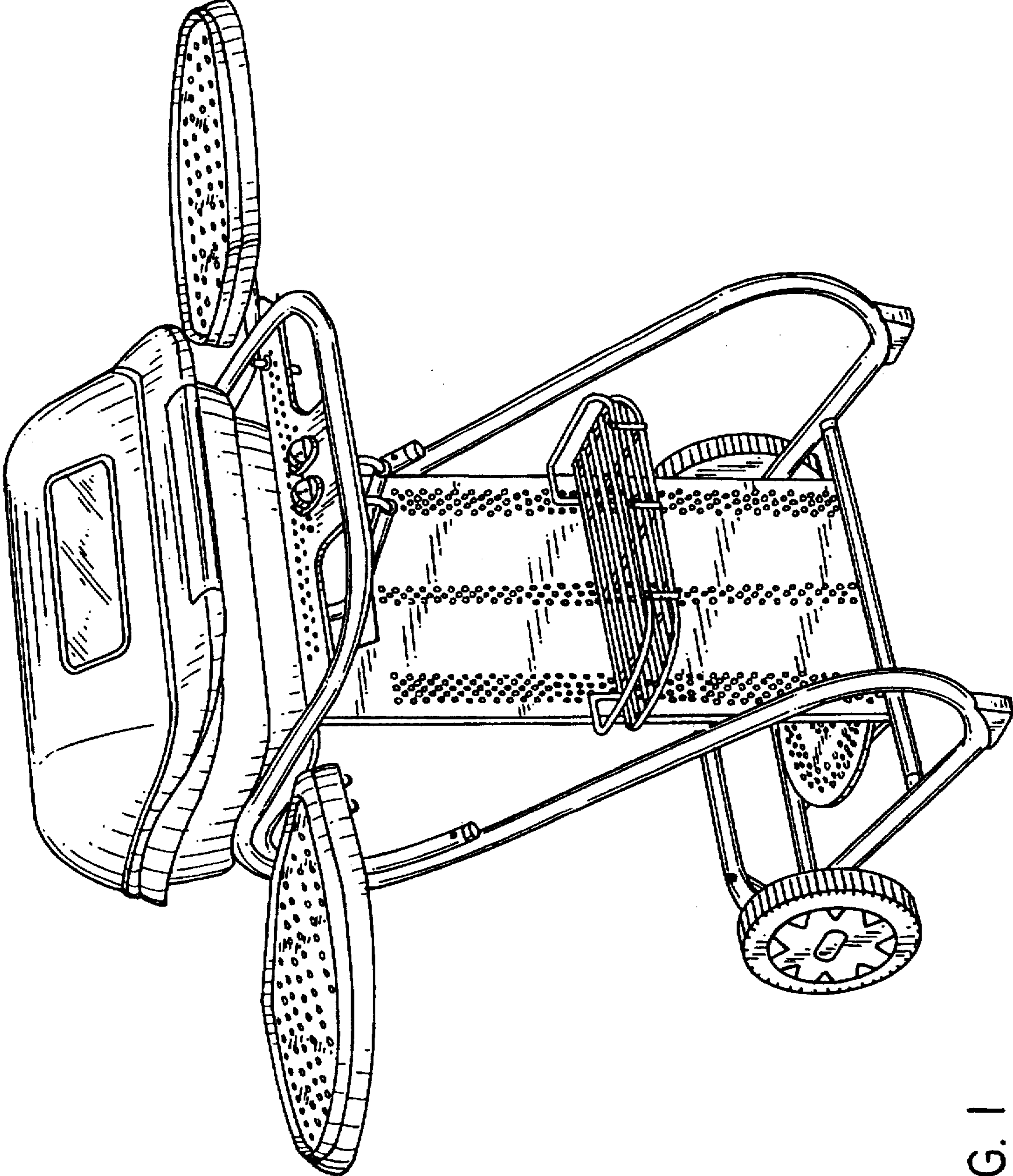


FIG. 1

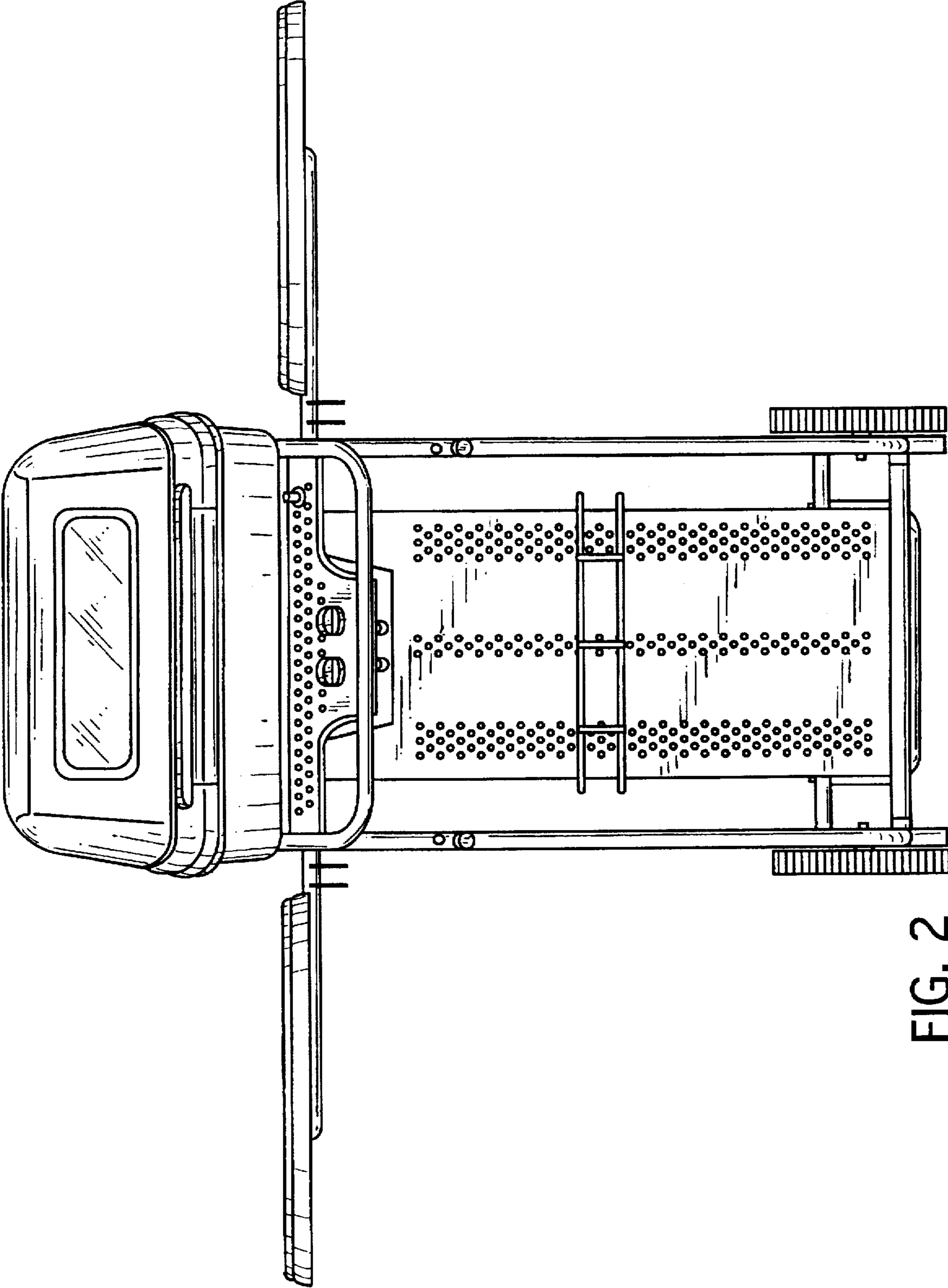


FIG. 2

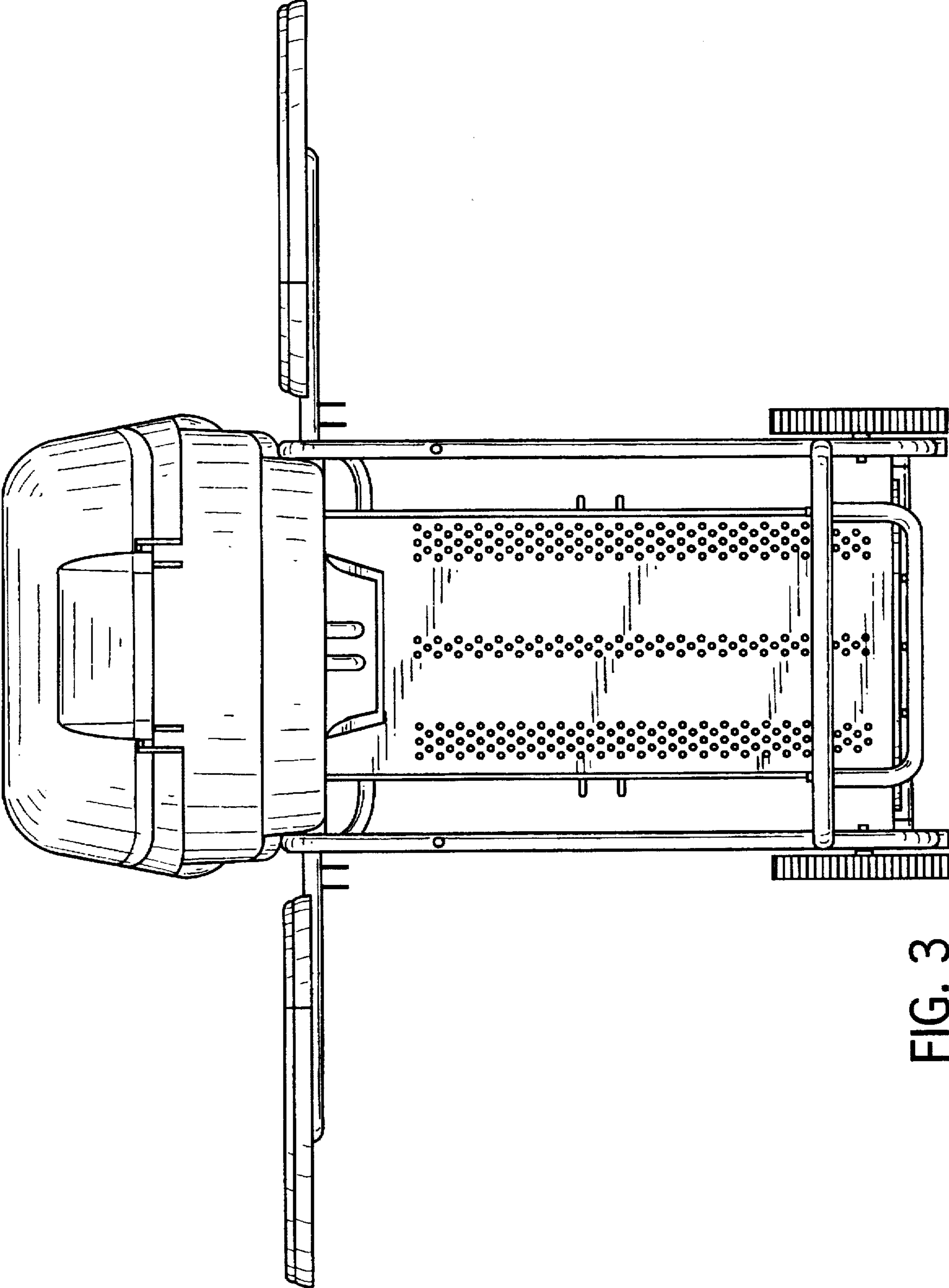


FIG. 3

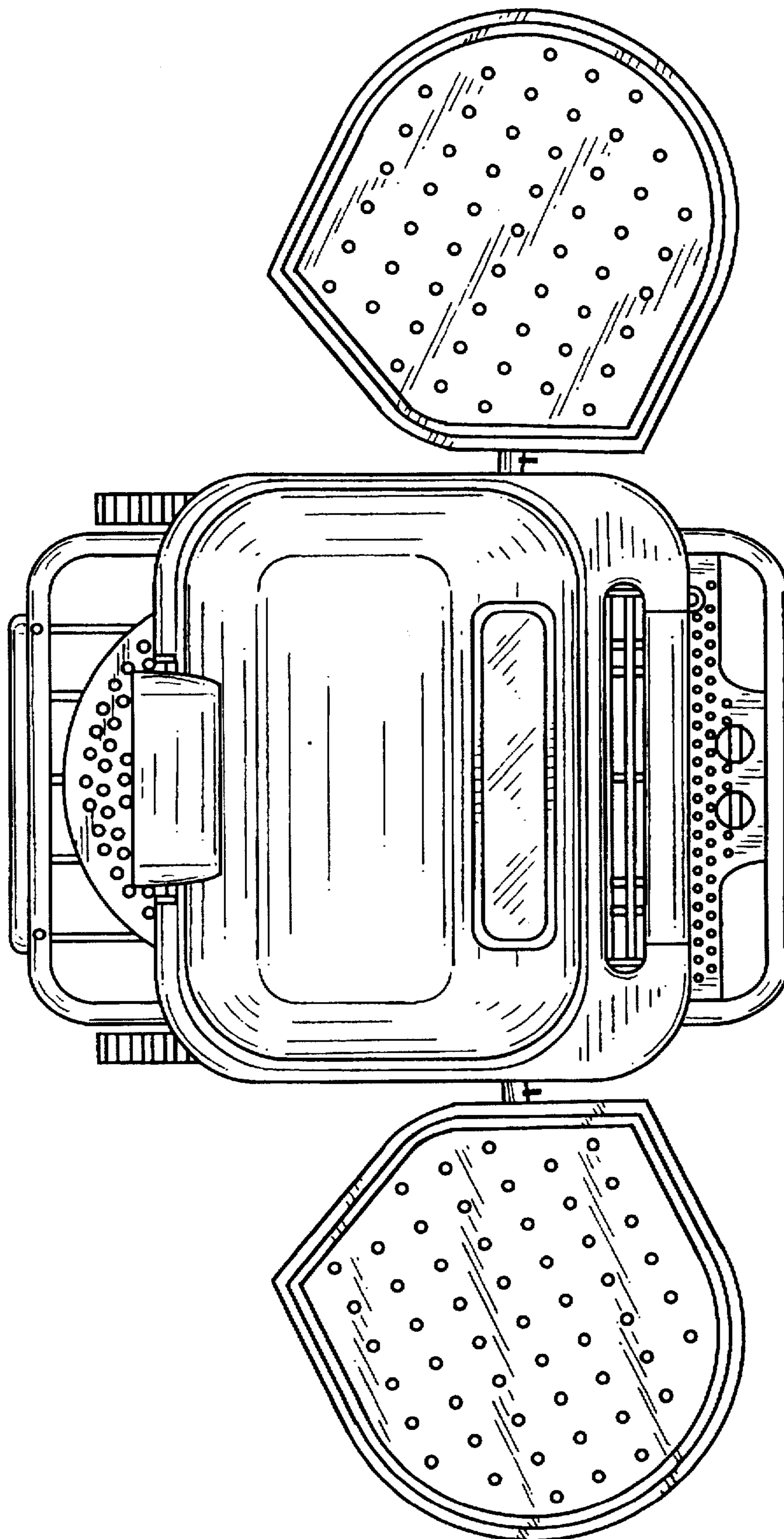


FIG. 4

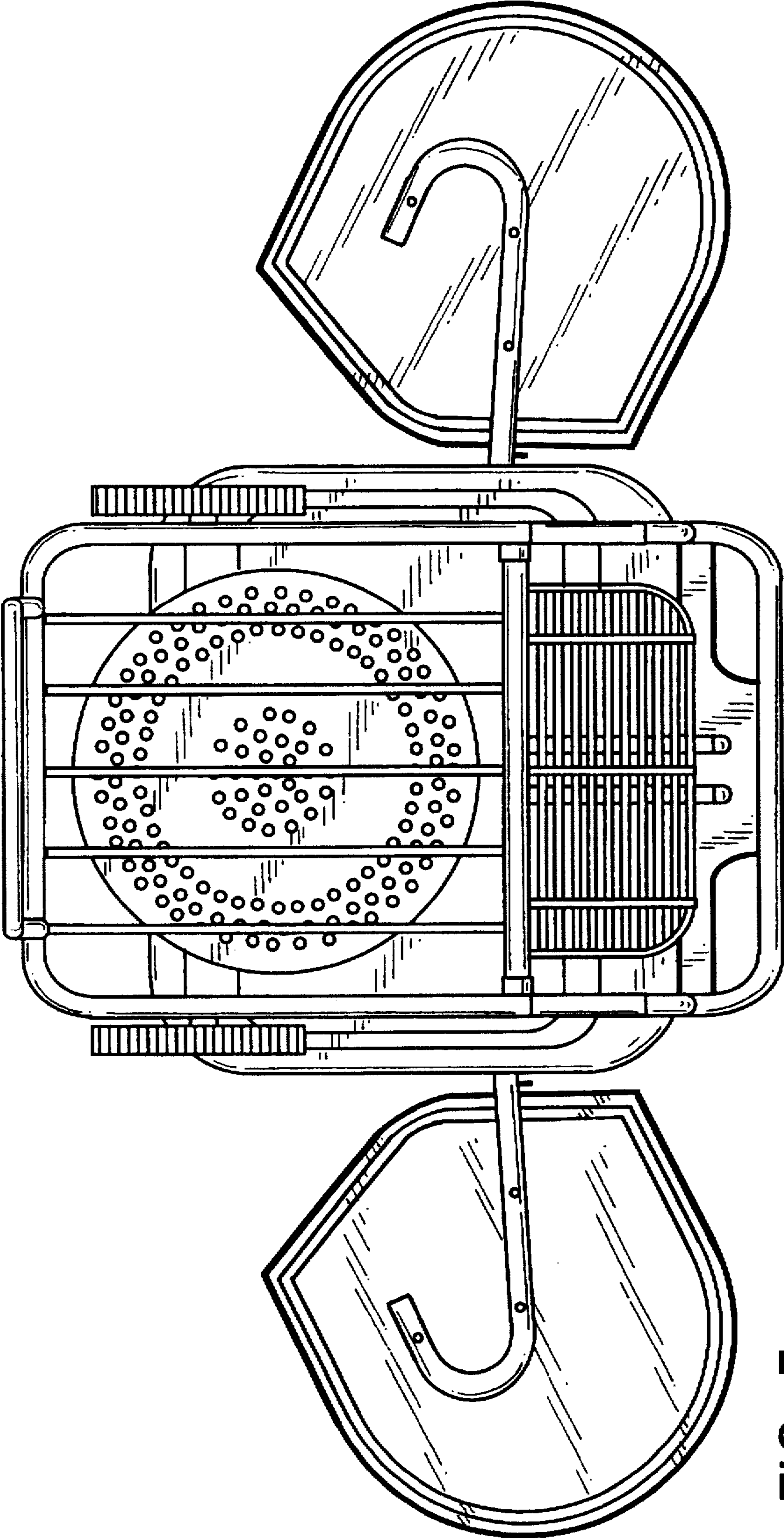


FIG. 5

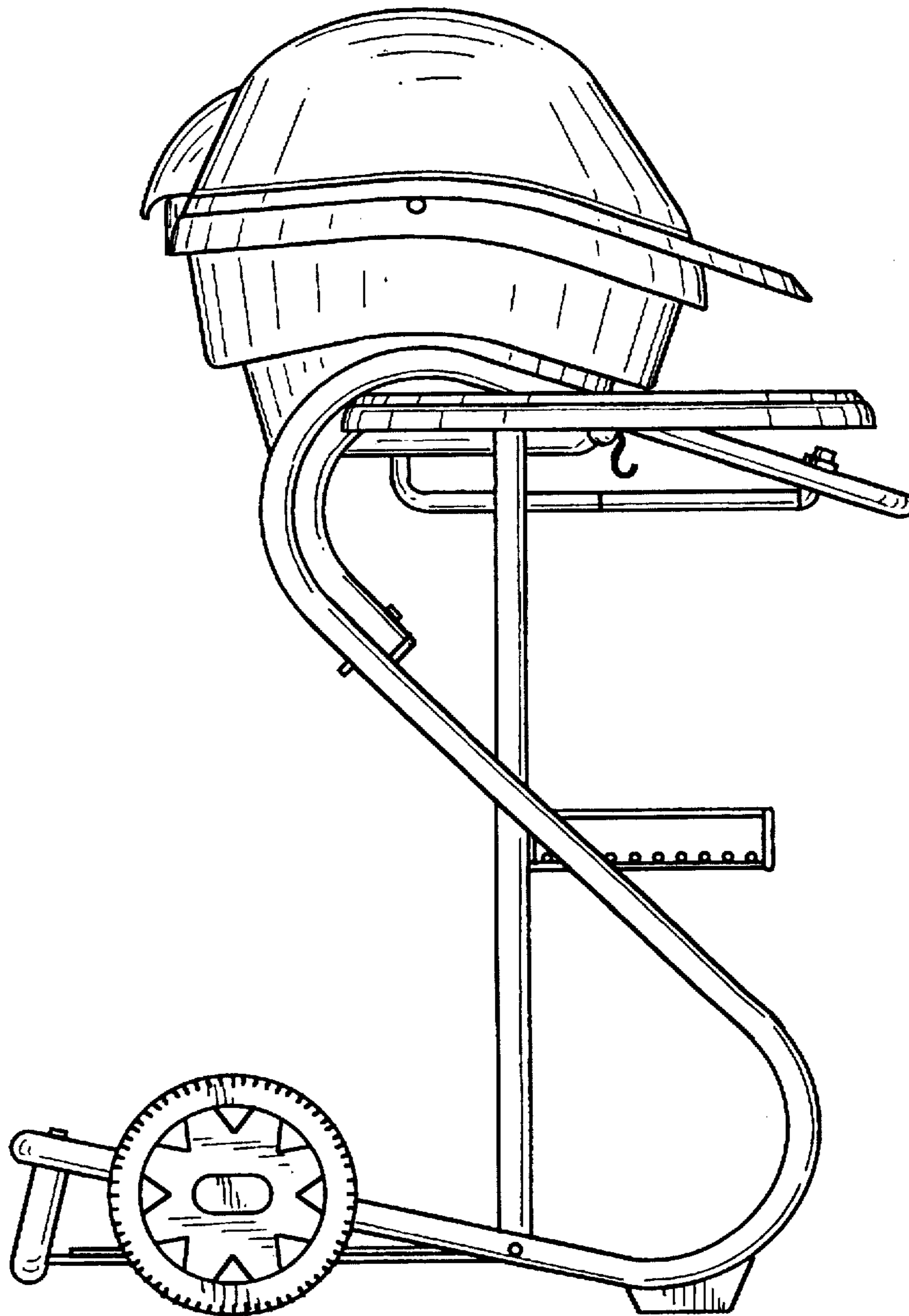


FIG. 6

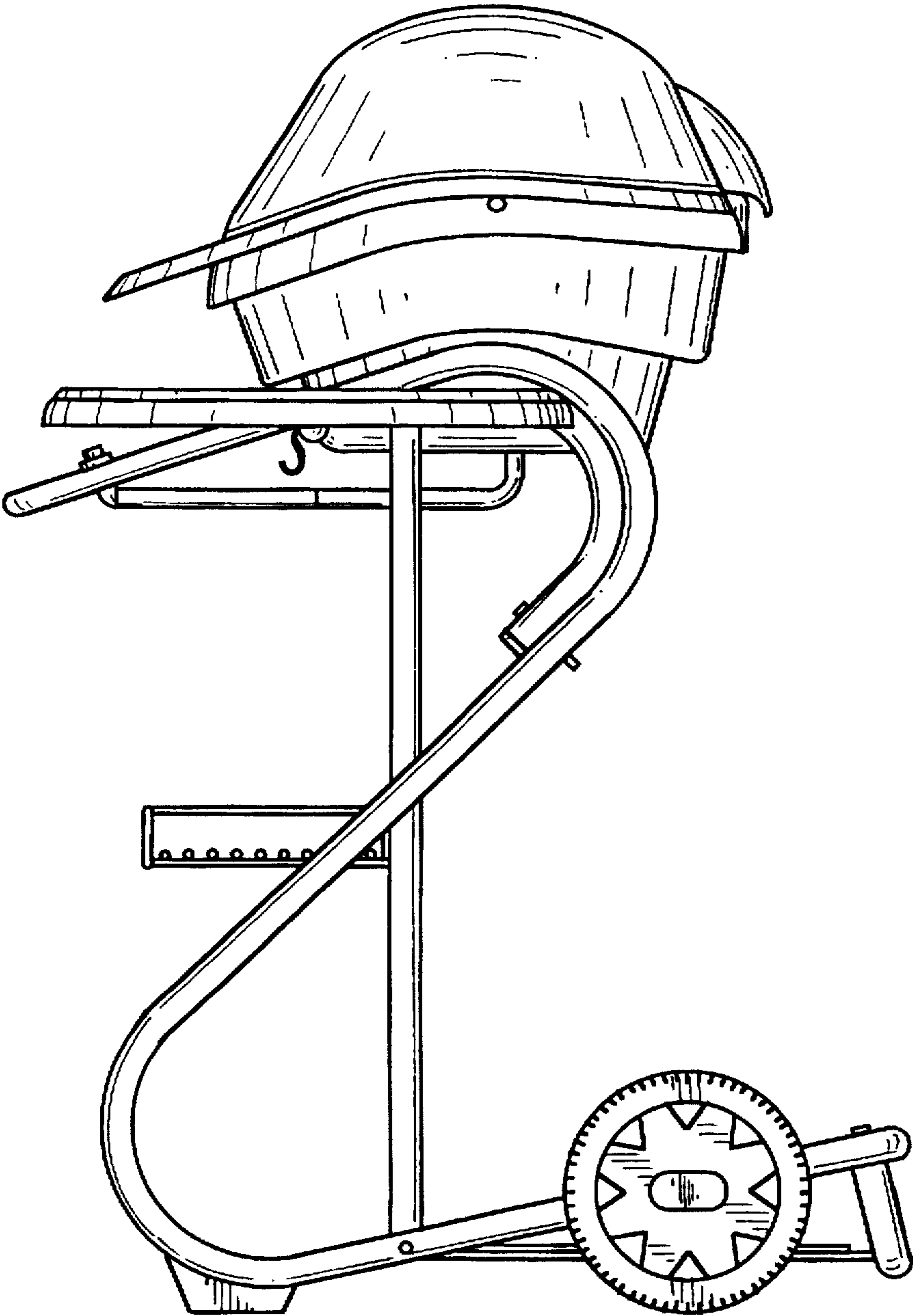


FIG. 7