



US00D395977S

# United States Patent [19]

**Pena Angarita**

[11] **Patent Number: Des. 395,977**

[45] **Date of Patent: \*\*Jul. 14, 1998**

[54] **TOASTER**

D. 338,131 8/1993 Stützer ..... D7/330  
4,345,512 8/1982 Holt ..... D7/330 X

[75] **Inventor: Oscar Enrique Pena Angarita,**  
Groningen, Netherlands

[73] **Assignee: U.S. Philips Corporation,** New York,  
N.Y.

[\*\*] **Term: 14 Years**

[21] **Appl. No.: 53,580**

[22] **Filed: Apr. 24, 1996**

[30] **Foreign Application Priority Data**

Oct. 25, 1995 [XH] Hague Agreement ..... DM/035712

[51] **LOC (6) Cl. .... 07-02**

[52] **U.S. Cl. .... D7/330**

[58] **Field of Search ..... D7/323, 328, 330,**  
D7/387, 390; 99/331, 332, 334, 335, 372,  
385, 389

[56] **References Cited**

**U.S. PATENT DOCUMENTS**

D. 98,247 1/1936 Fukal ..... D7/330

*Primary Examiner*—James Gandy  
*Assistant Examiner*—Caron D. Veynar  
*Attorney, Agent, or Firm*—Jack E. Haken

[57] **CLAIM**

The ornamental design for a toaster, as shown.

**DESCRIPTION**

FIG. 1 is a front, top, right side, perspective view showing my new design;

FIG. 2 is a front elevational view thereof;

FIG. 3 is a rear elevational view thereof;

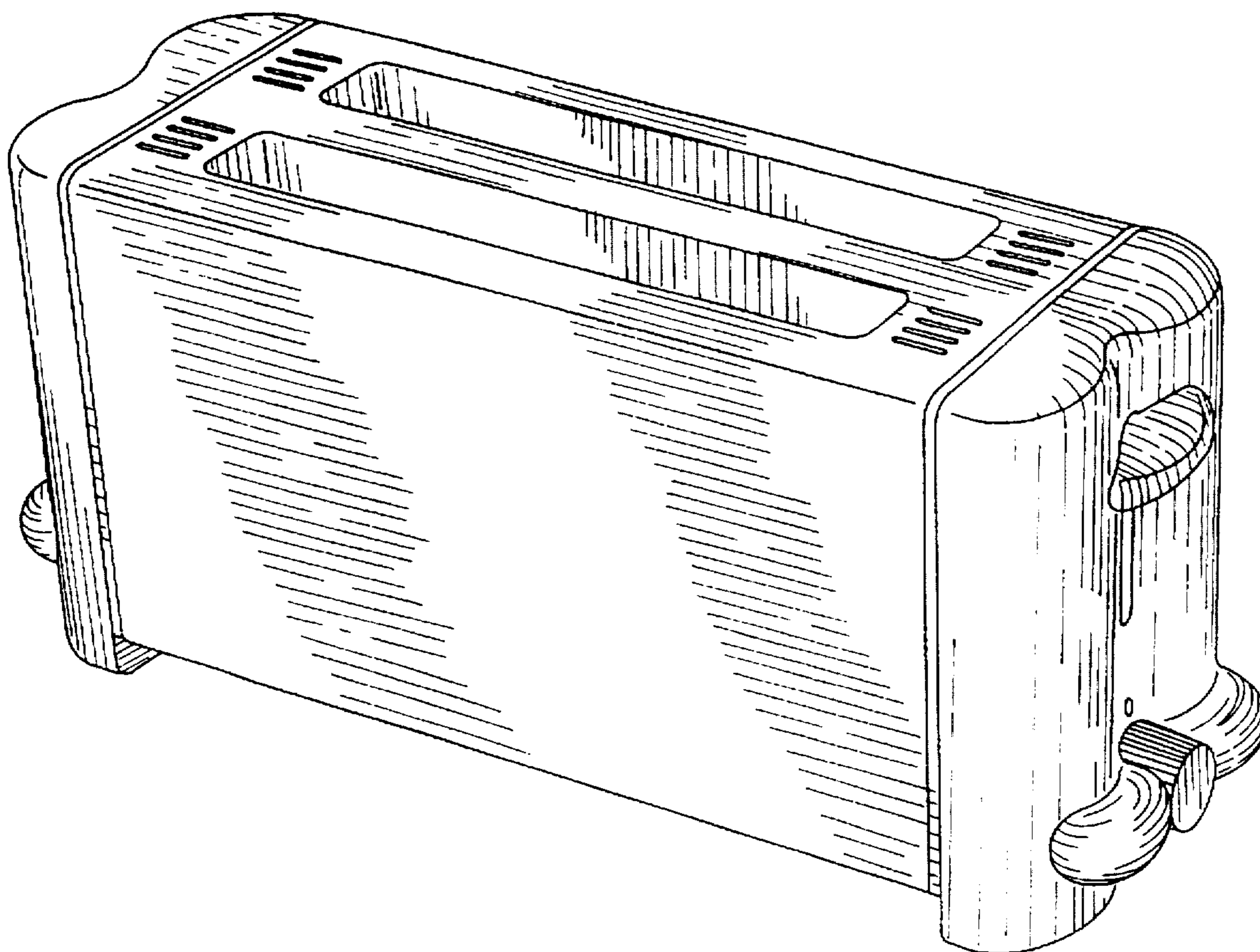
FIG. 4 is a right side elevational view thereof;

FIG. 5 is a left side elevational view thereof;

FIG. 6 is a top plan view thereof; and,

FIG. 7 is a bottom plan view thereof.

**1 Claim, 4 Drawing Sheets**



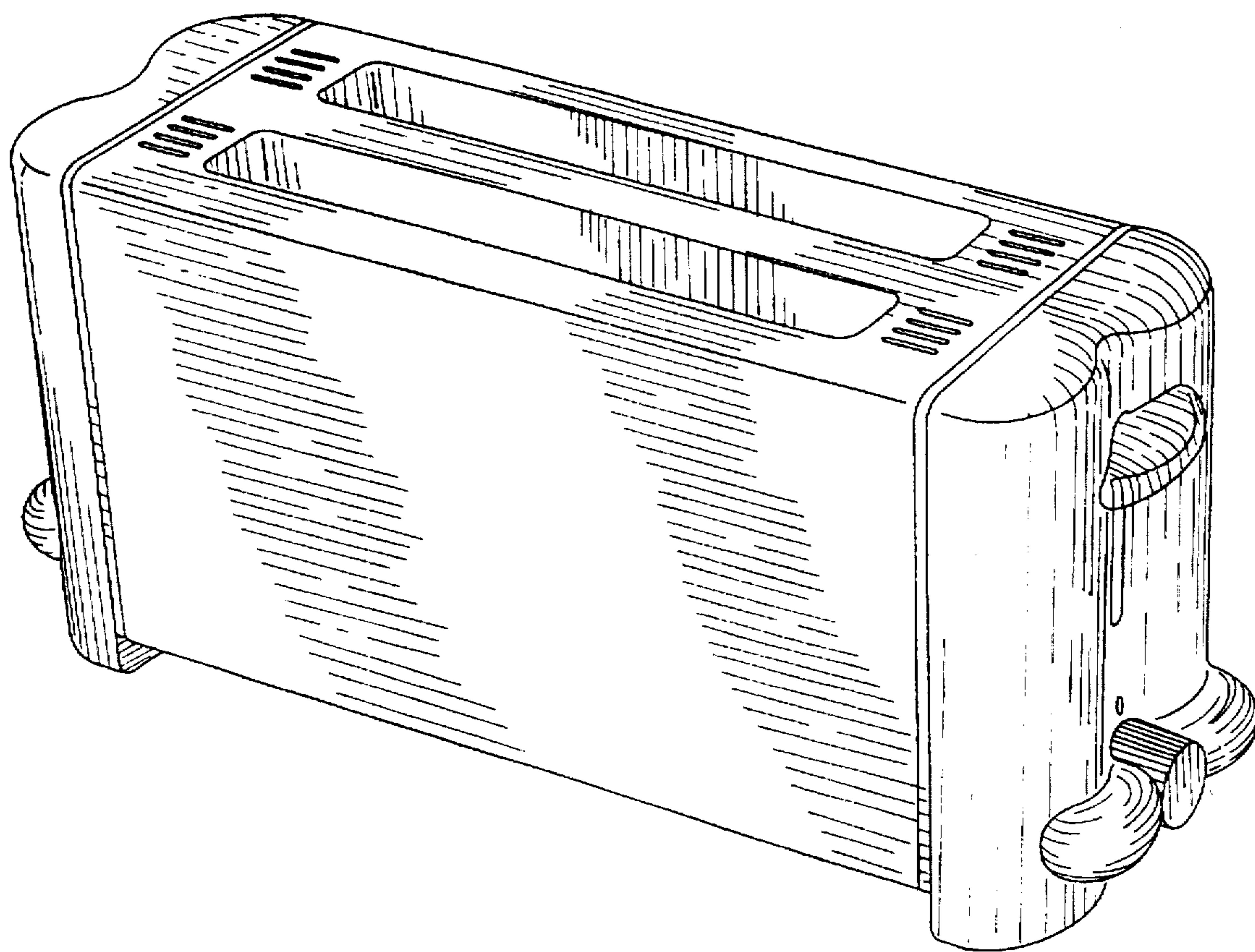


FIG. 1

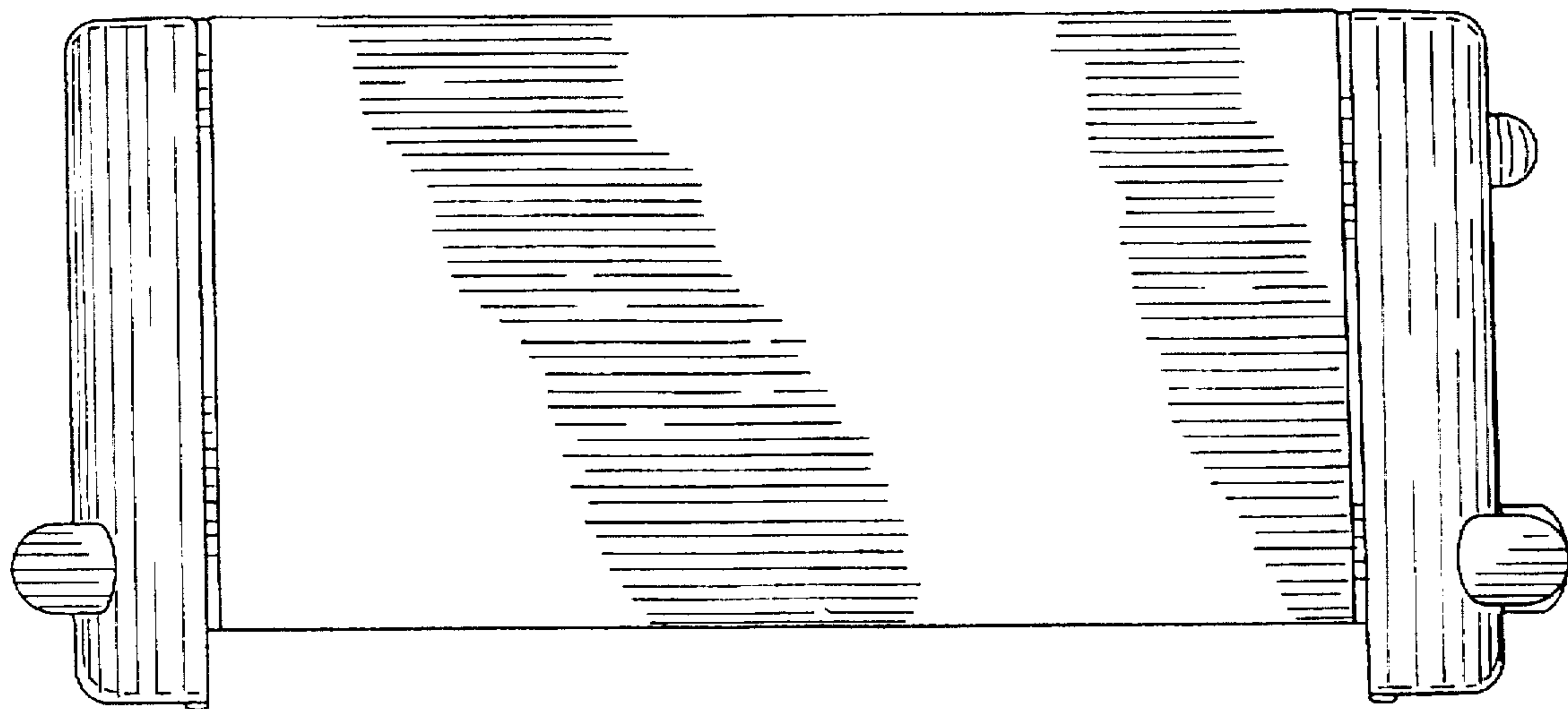


FIG. 2

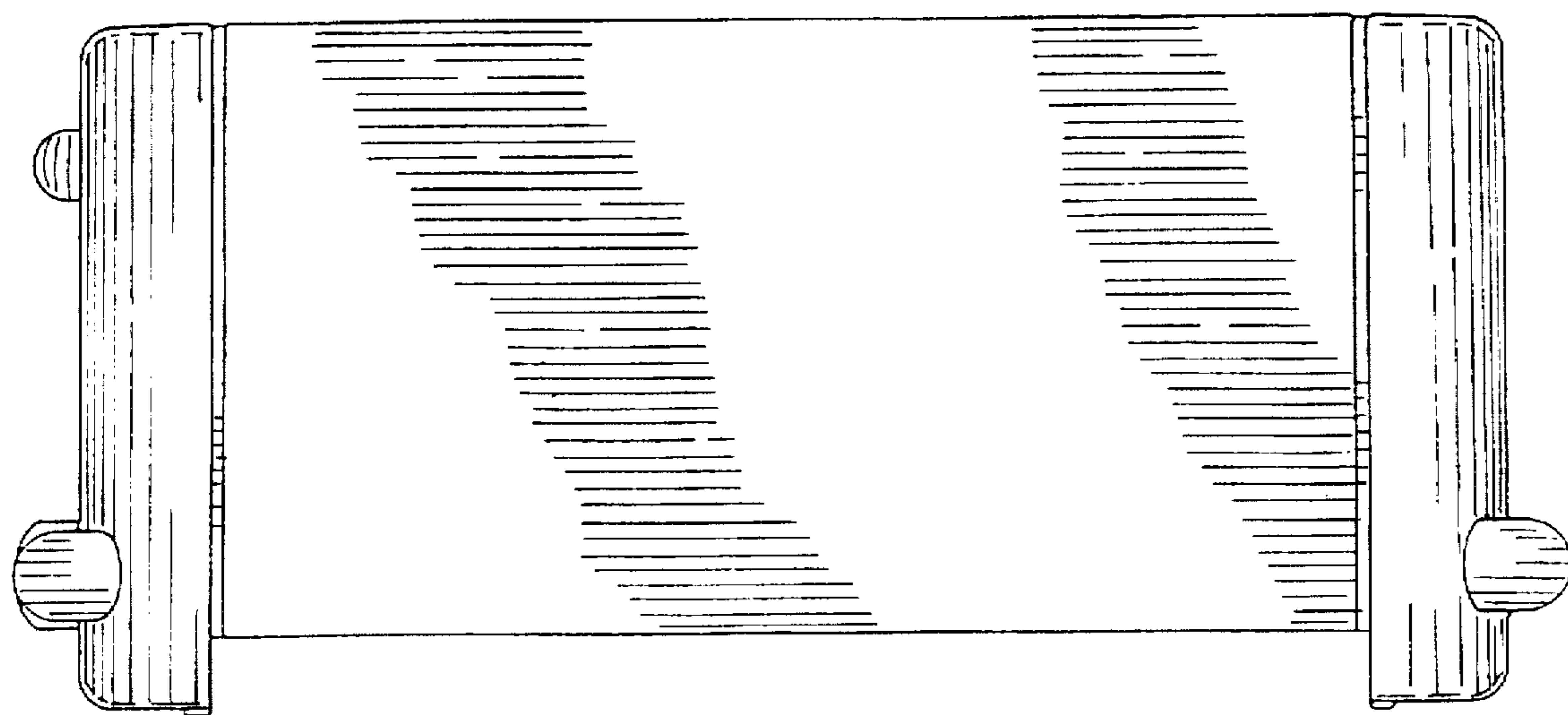


FIG. 3

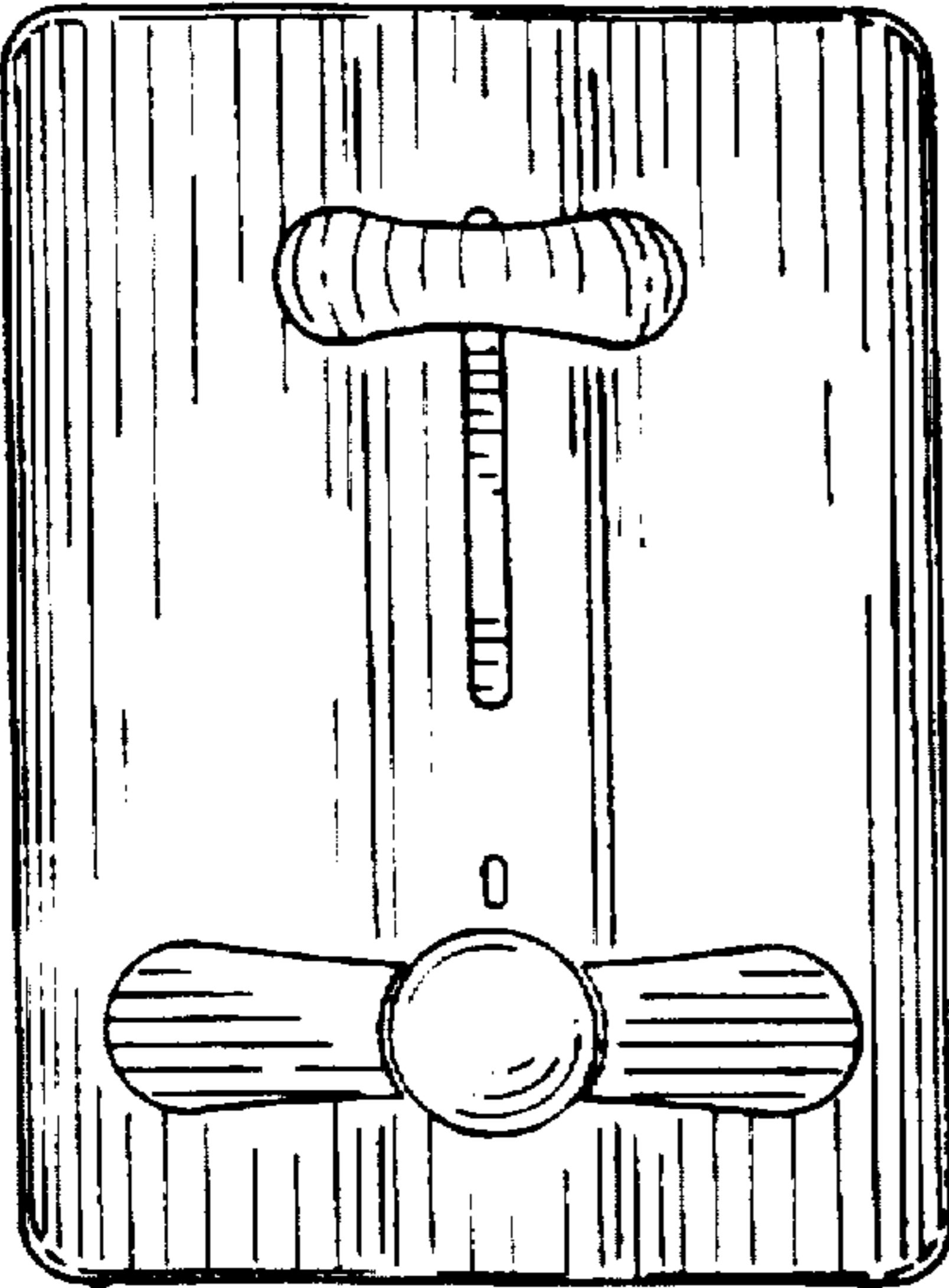


FIG.4

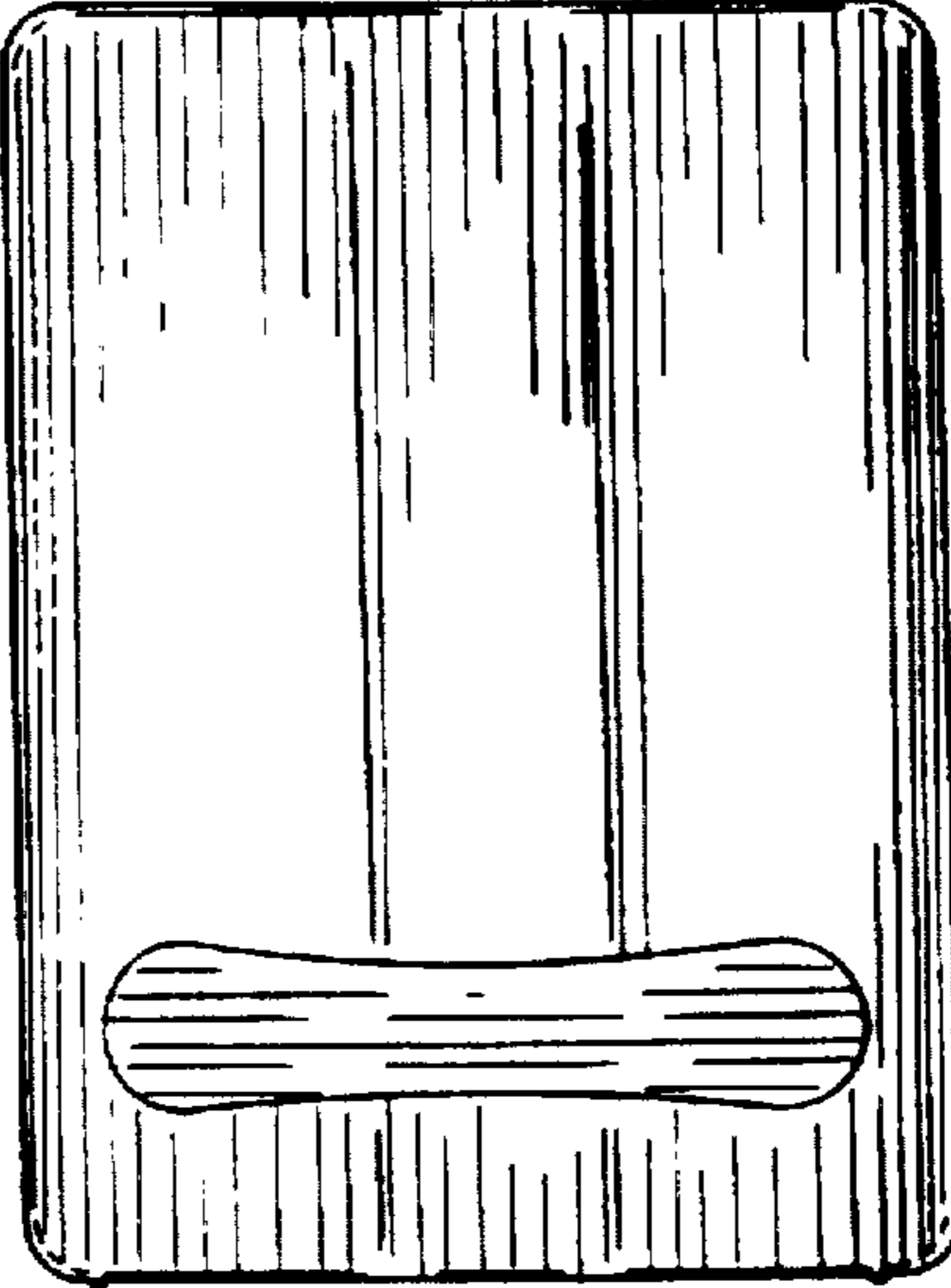


FIG.5

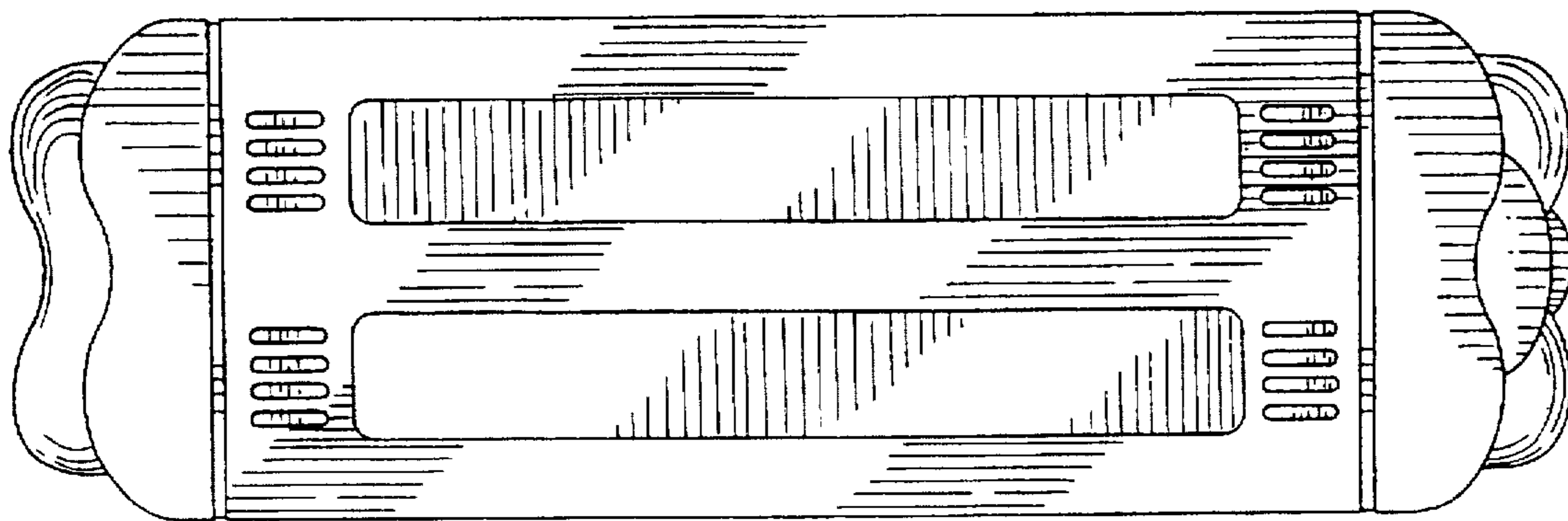


FIG. 6

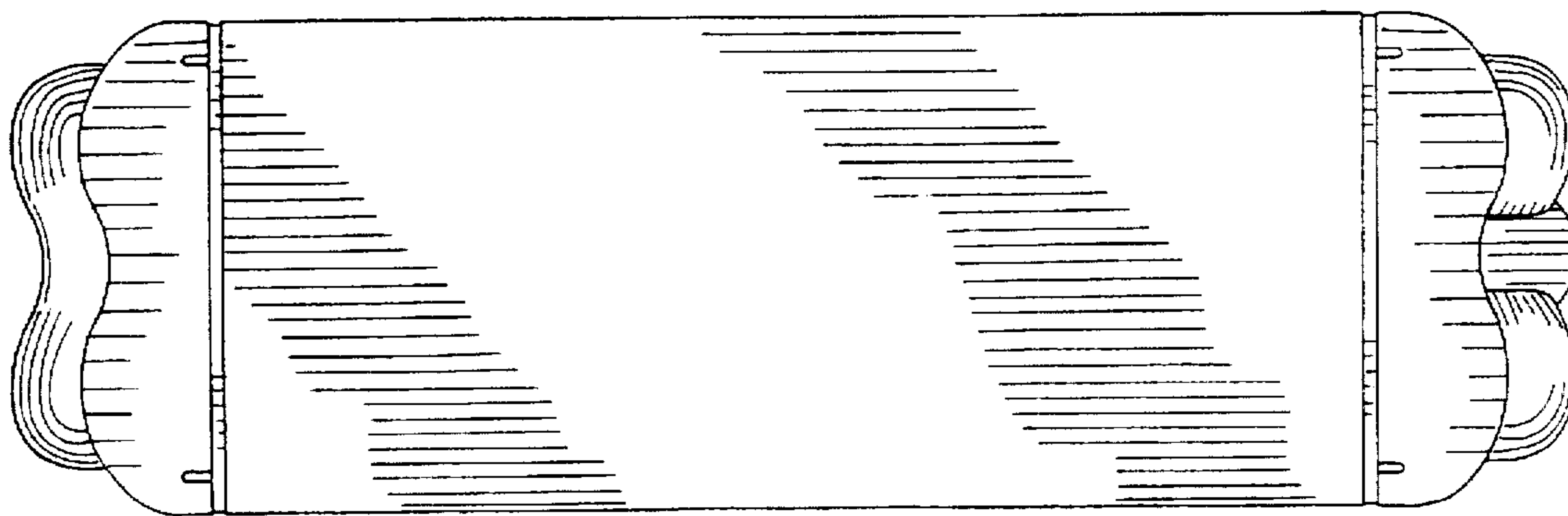


FIG. 7