



US00D395976S

United States Patent [19]

Seiffert et al.

[11] Patent Number: Des. 395,976

[45] Date of Patent: **Jul. 14, 1998

[54] **ESPRESSO MACHINE**

[75] Inventors: **Florian Seiffert; Hartwig Kahlcke,**
both of Wiesbaden, Germany

[73] Assignee: **Robert Krups GmbH & Co. KG,**
Solingen, Germany

[**] Term: **14 Years**

[21] Appl. No.: **63,323**

[22] Filed: **Dec. 5, 1996**

[30] **Foreign Application Priority Data**

Jun. 5, 1996 [FR] France 963309

[51] **LOC (6) Cl.** **07-01**

[52] **U.S. Cl.** **D7/309; D7/310; D7/311**

[58] **Field of Search** **D7/311, 306, 309,**
D7/308, 307, 310; 99/295

[56] **References Cited**

U.S. PATENT DOCUMENTS

D. 261,390	10/1981	Harvill	D7/307
D. 319,943	9/1991	Sexton et al.	D7/308
D. 324,464	3/1992	Credle, Jr. et al.	D7/308
D. 336,206	6/1993	Littman	D7/311 X
D. 337,475	7/1993	Seiffert	D7/309

D. 339,499	9/1993	Seiffert	D7/309
D. 342,860	1/1994	Azpiri	D7/311 X
D. 343,332	1/1994	Schroeder et al.	D7/308
D. 360,802	8/1995	Seiffert	D7/309
D. 364,306	11/1995	Storsberg	D7/310 X
D. 380,334	7/1997	Lin	D7/311 X
4,304,341	12/1981	Shirley	D7/307 X
4,644,856	2/1987	Borgmann	D7/309 X
4,917,155	4/1990	Koblasz et al.	D7/308 X

Primary Examiner—M. N. Pandozzi
Attorney, Agent, or Firm—Darby & Darby

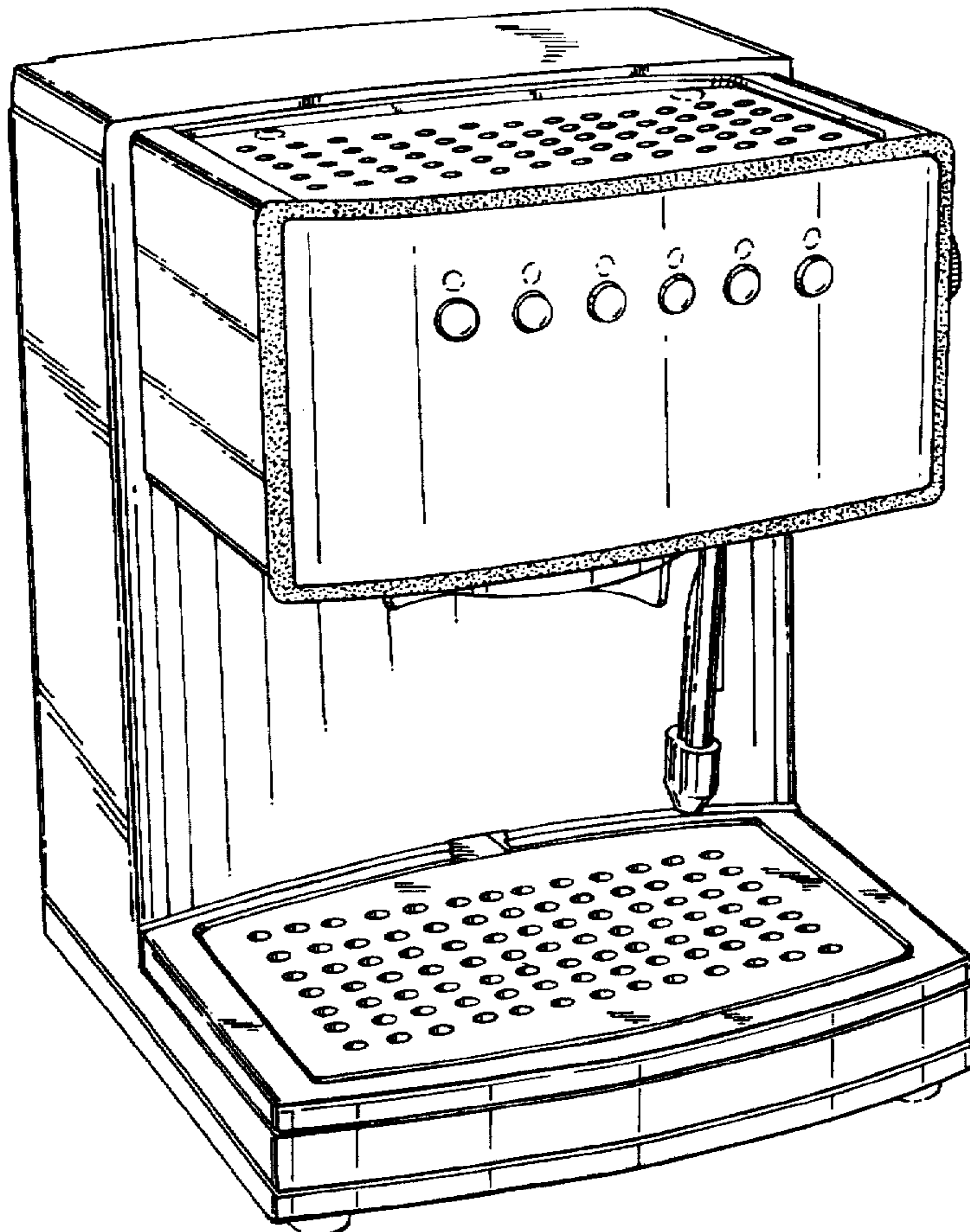
[57] **CLAIM**

The ornamental design for an espresso machine, as shown and described.

DESCRIPTION

FIG. 1 is a top front right perspective view of an espresso machine showing our new design;
FIG. 2 is a front elevational view thereof;
FIG. 3 is a rear elevational view thereof;
FIG. 4 is a right side elevational view thereof;
FIG. 5 is a left side elevational view;
FIG. 6 is a top plan view thereof; and,
FIG. 7 is a bottom plan view thereof.
The broken lines in FIGS. 1-7 are for illustrative purposes only and forms no part of the claimed design.

1 Claim, 7 Drawing Sheets



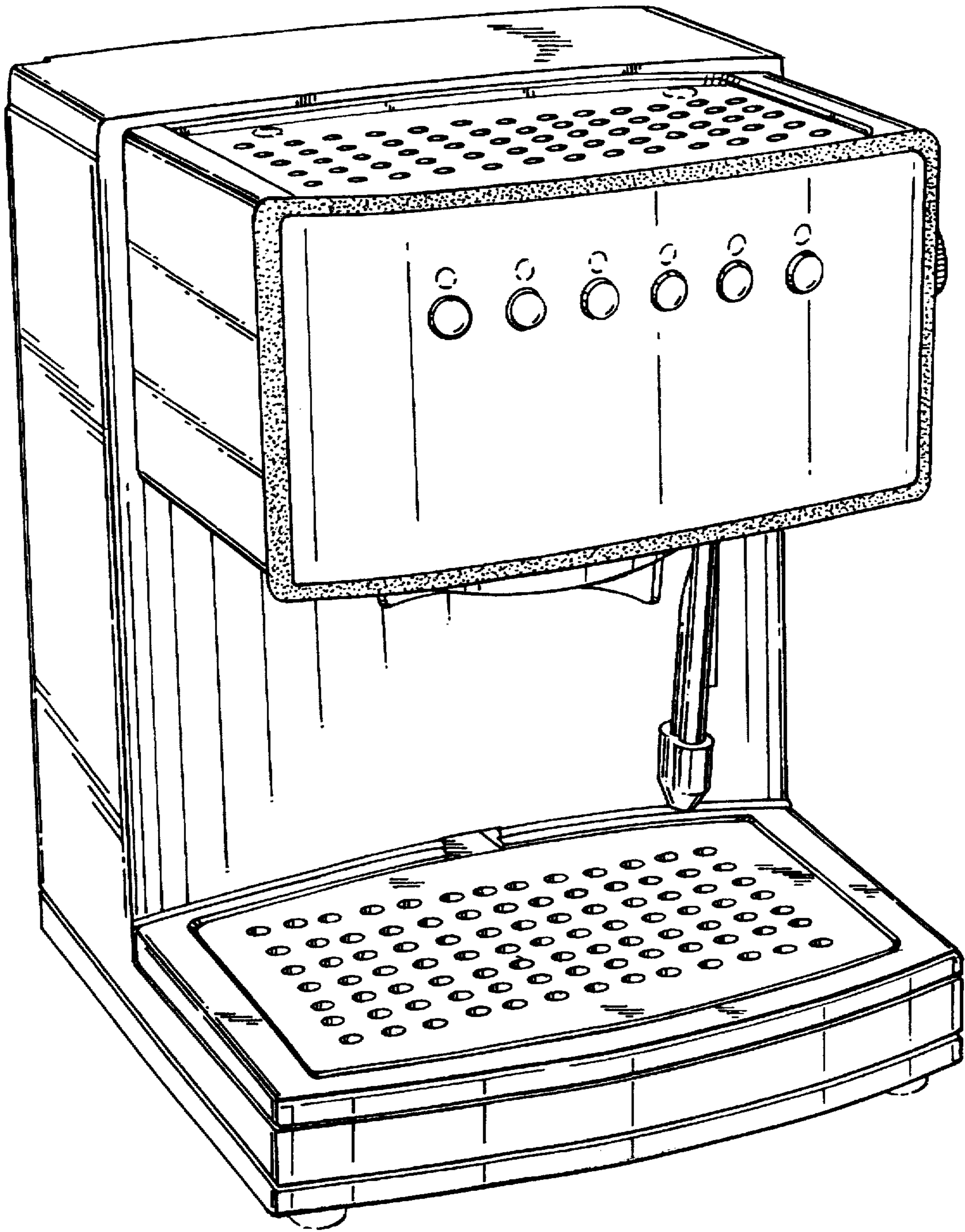


Fig. 1

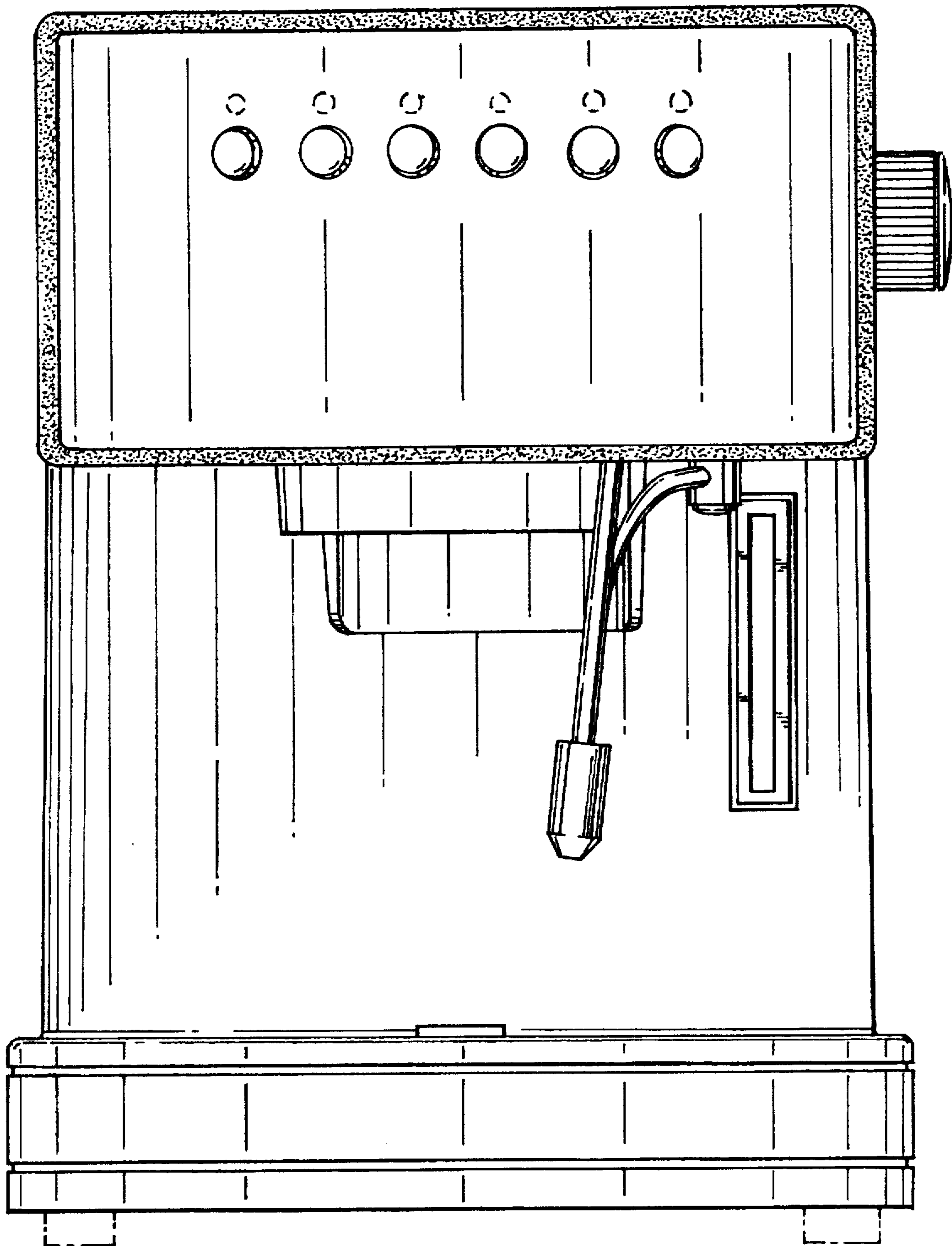


Fig. 2

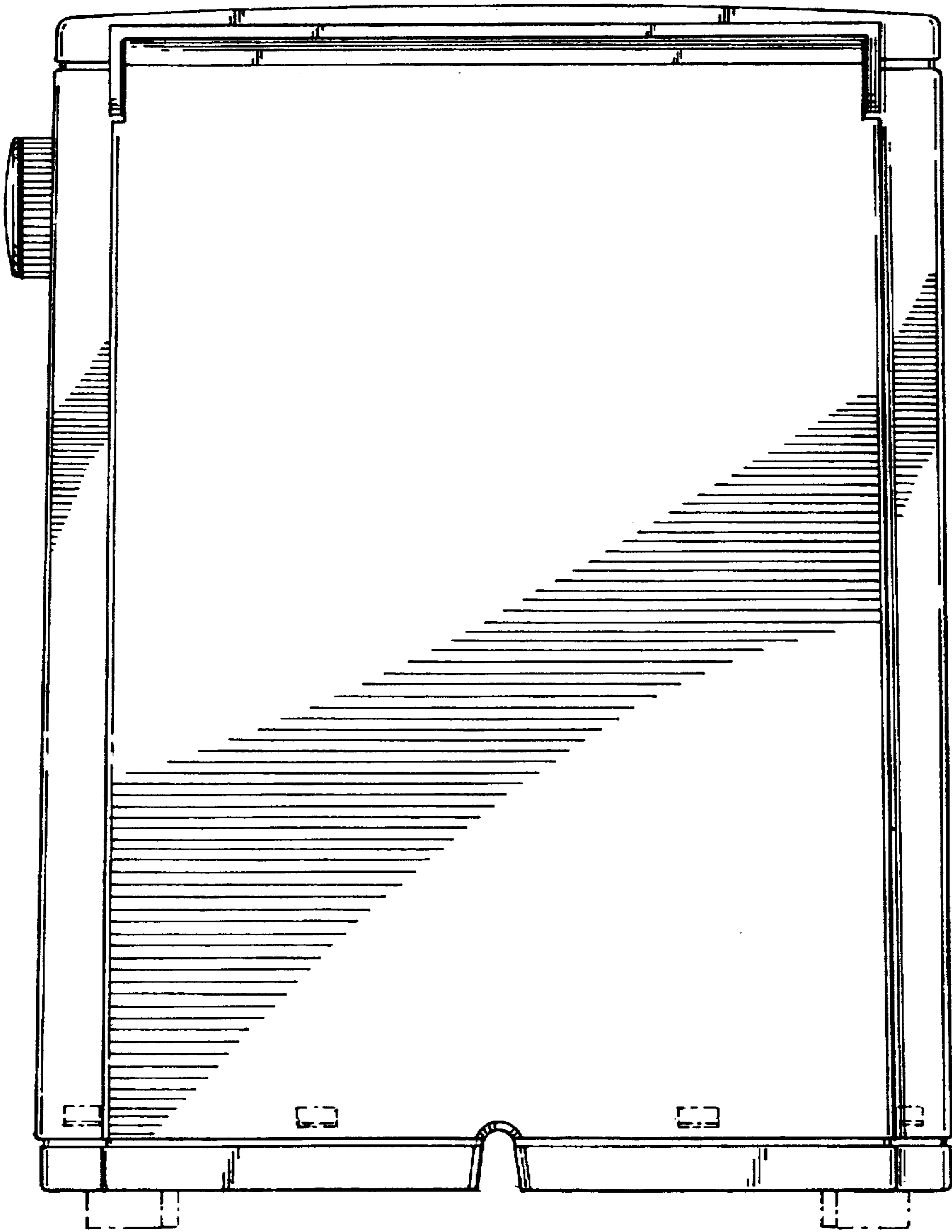


Fig. 3

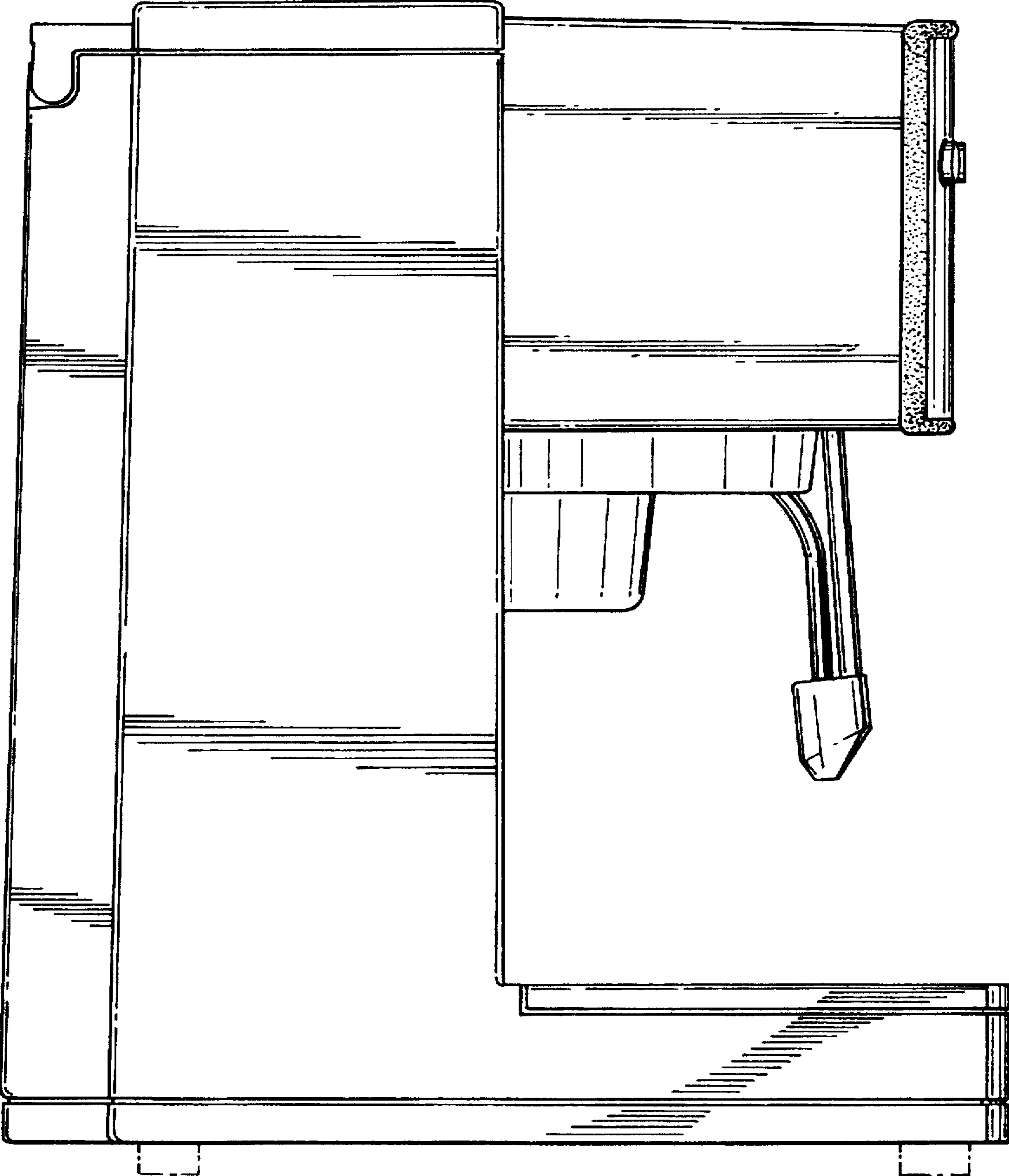


Fig. 4

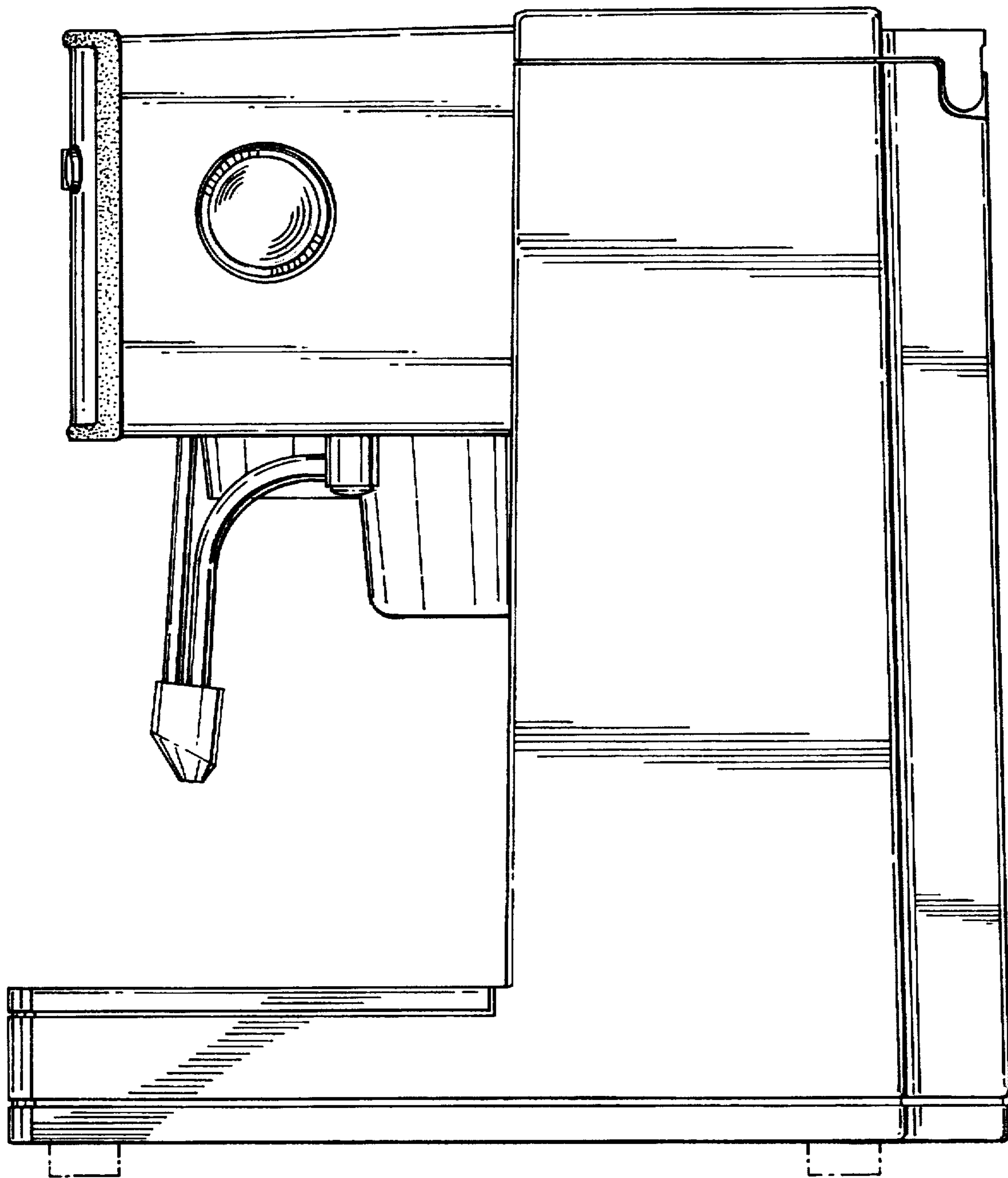


Fig. 5

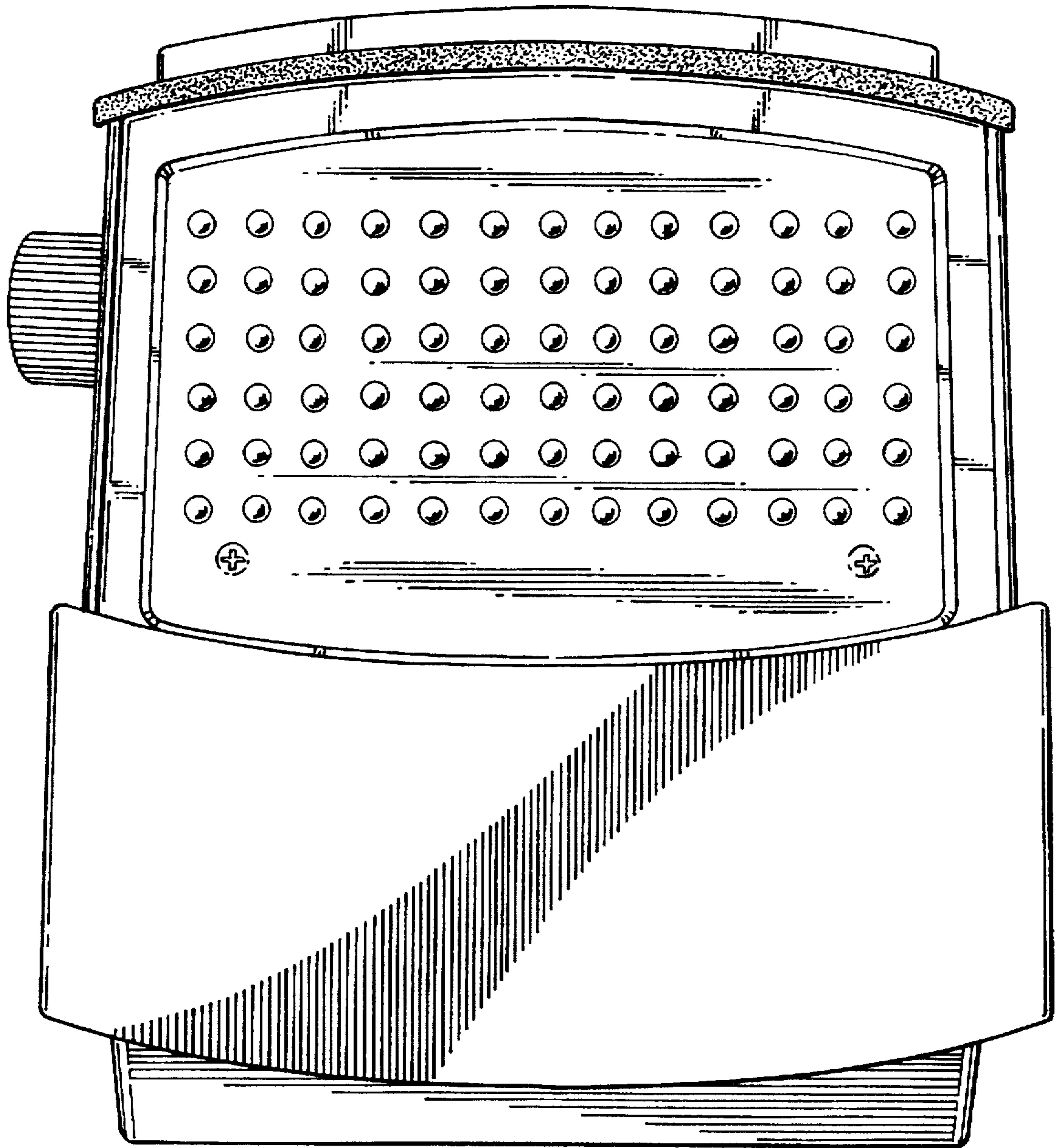


Fig. 6

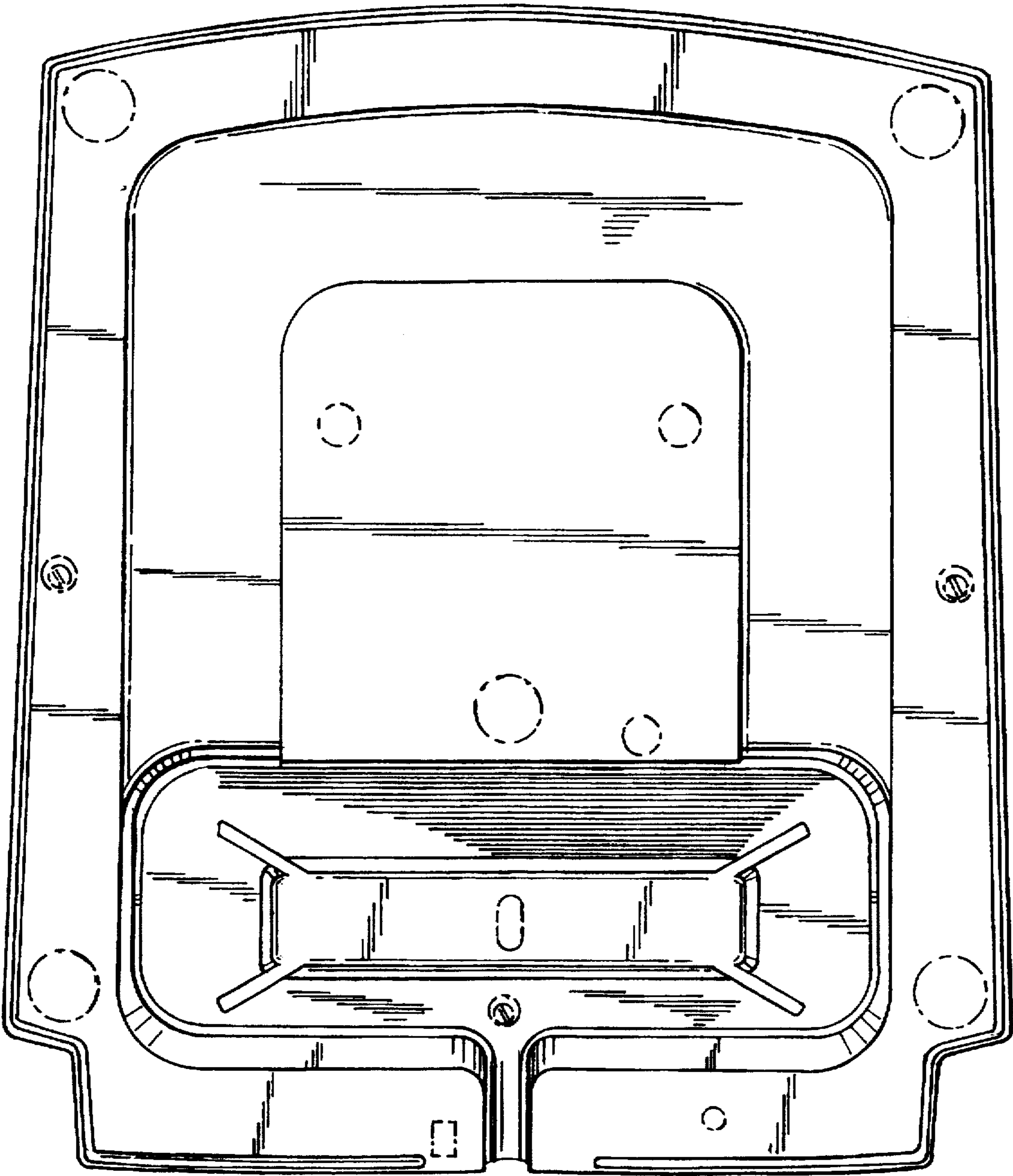


Fig. 7