

US00D395969S

United States Patent [19]

Barlow-Lawson

[11] Patent Number: **Des. 395,969**

[45] Date of Patent: ****Jul. 14, 1998**

[54] **FURNITURE TOP**

[76] Inventor: **Stephen Barlow-Lawson**, 129 W. 22nd,
New York, N.Y. 10011

[**] Term: **14 Years**

[21] Appl. No.: **67,383**

[22] Filed: **Mar. 5, 1997**

[51] LOC (6) Cl. **06-04**

[52] U.S. Cl. **D6/511; D6/474**

[58] Field of Search D6/477-479, 480,
D6/474, 483, 484, 426, 427, 430, 425,
509, 511, 431, 449; 211/70.1, 72, 133,
135, 128, 186, 169, 189; 108/13, 28, 64,
83, 59, 60, 88, 67, 42, 94-96, 104, 105,
138, 143, 145, 147; 312/257.1, 270.1, 321,
330.1, 323, 238; 248/127, 146, 152, 174,
176.1, 918

[56] **References Cited**

U.S. PATENT DOCUMENTS

D. 273,449 4/1984 Wiczorek D6/426

D. 353,279 12/1994 Funk D6/474 X
D. 365,465 12/1995 Kniefel et al. D6/449
D. 379,273 5/1997 Sims D6/474 X
4,561,619 12/1985 Robillard et al. 108/143 X

Primary Examiner—James Gandy
Assistant Examiner—Linda Brooks
Attorney, Agent, or Firm—Henry M. Feiereisen

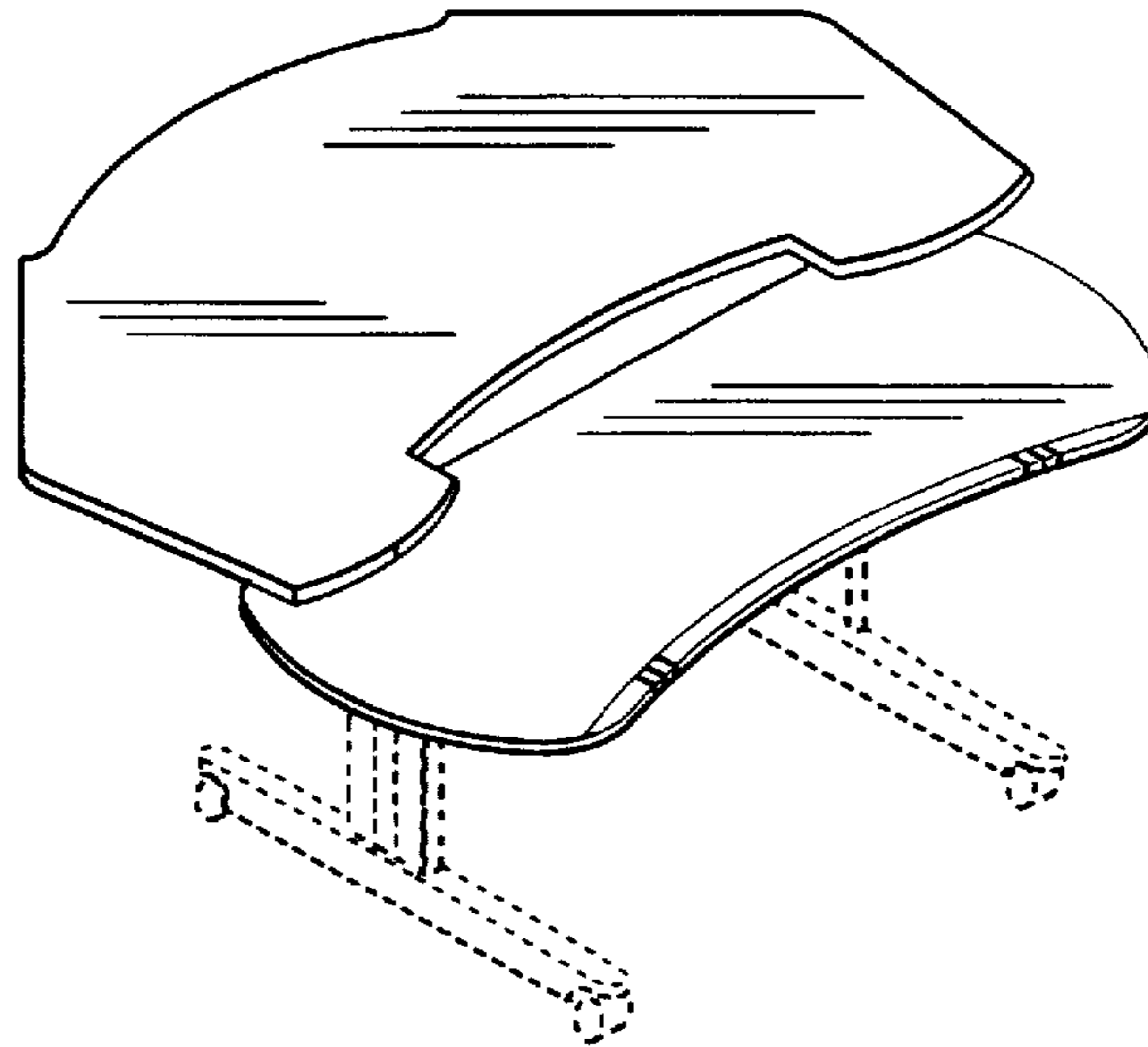
[57] **CLAIM**

The ornamental design for a furniture top, as shown and described.

DESCRIPTION

FIG. 1 is a top view of a furniture top showing my new design;
FIG. 2 is a left hand side elevational view thereof, with the right-hand side being a mirror image thereof, the broken lines are for environmental purposes only and form no part of the claimed design;
FIG. 3 is a bottom view thereof;
FIG. 4 is a front elevational view thereof;
FIG. 5 is a top, front and side perspective view thereof; and,
FIG. 6 is a rear elevational view thereof.

1 Claim, 1 Drawing Sheet



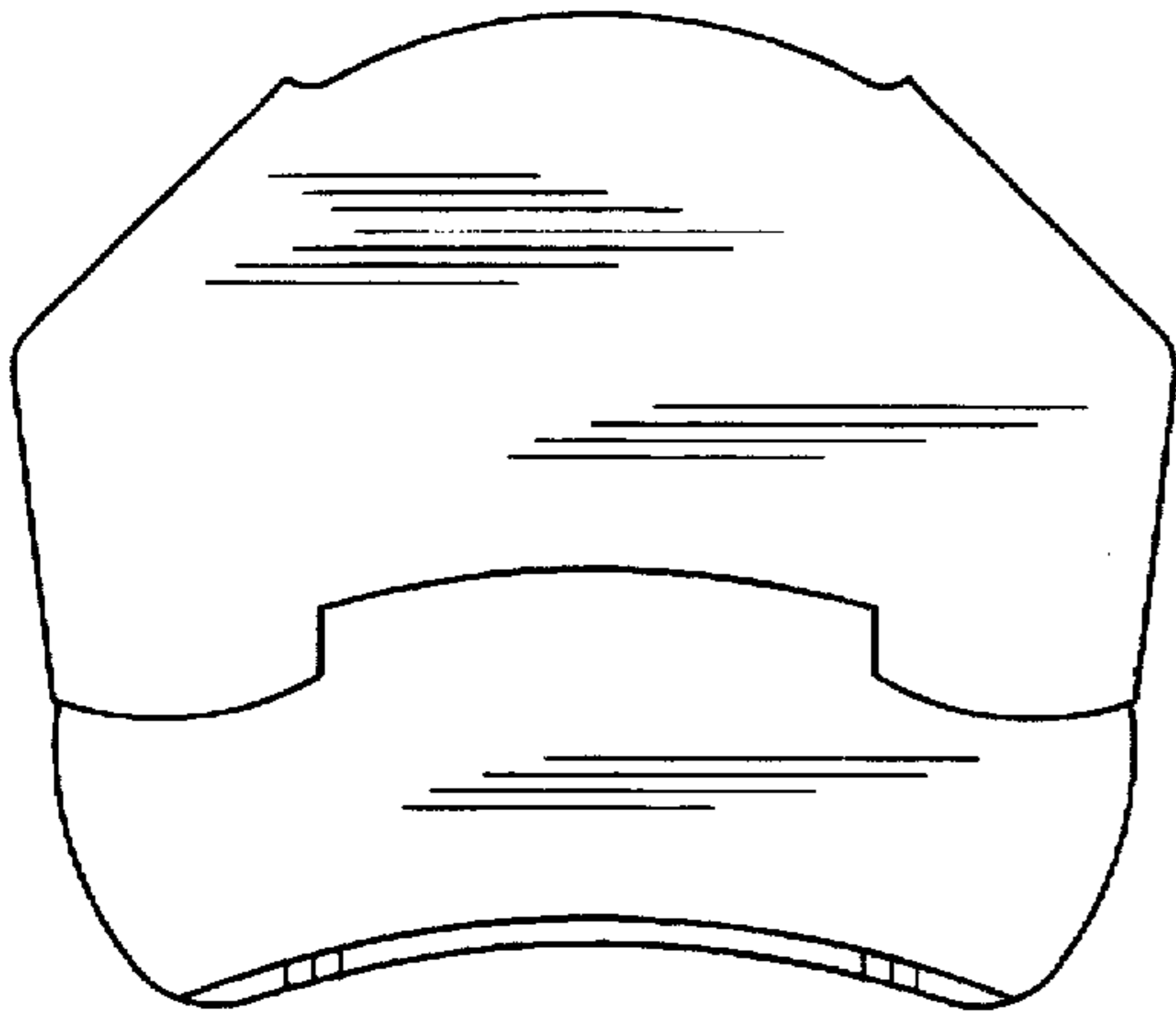


Fig. 1

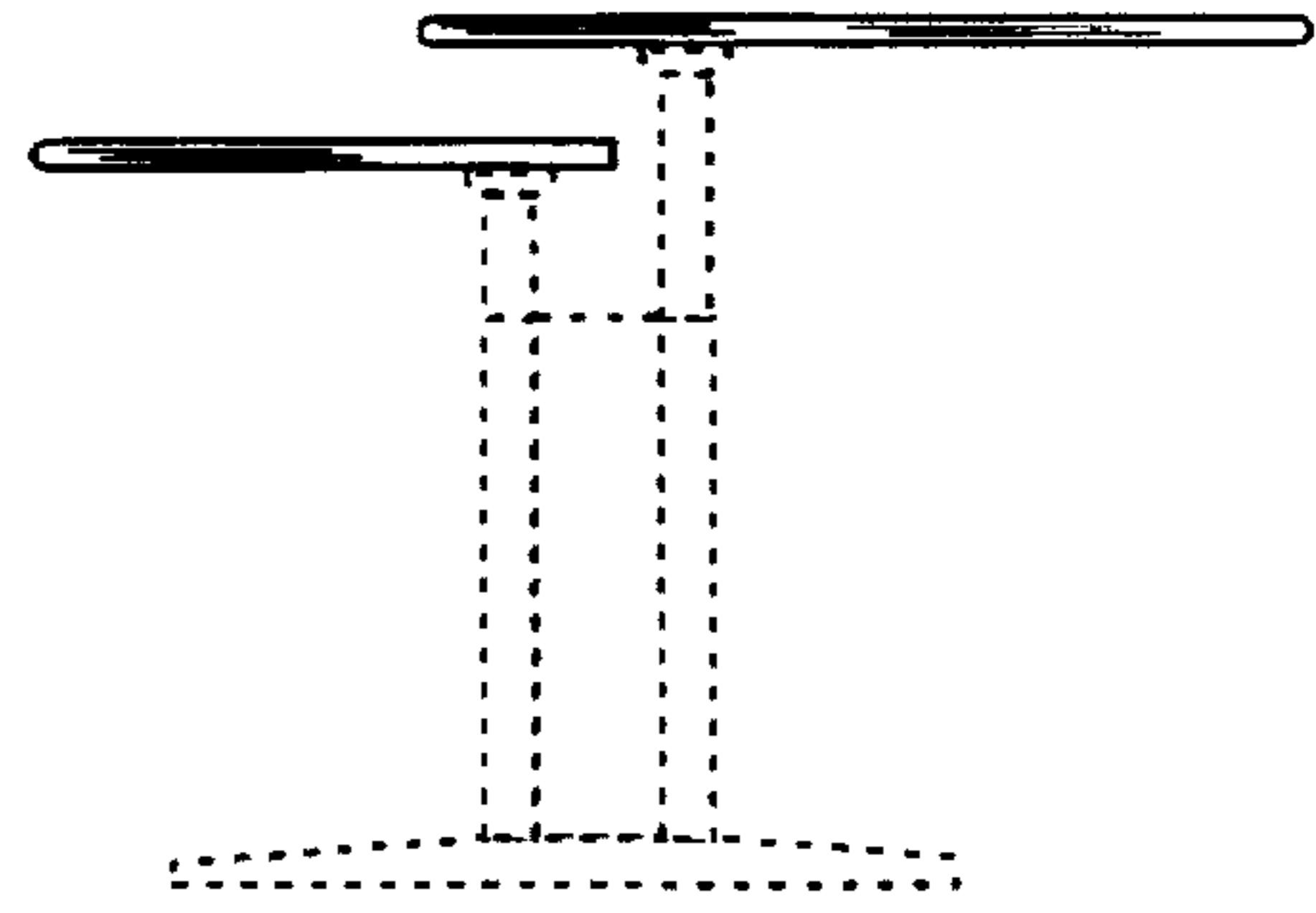


Fig. 2

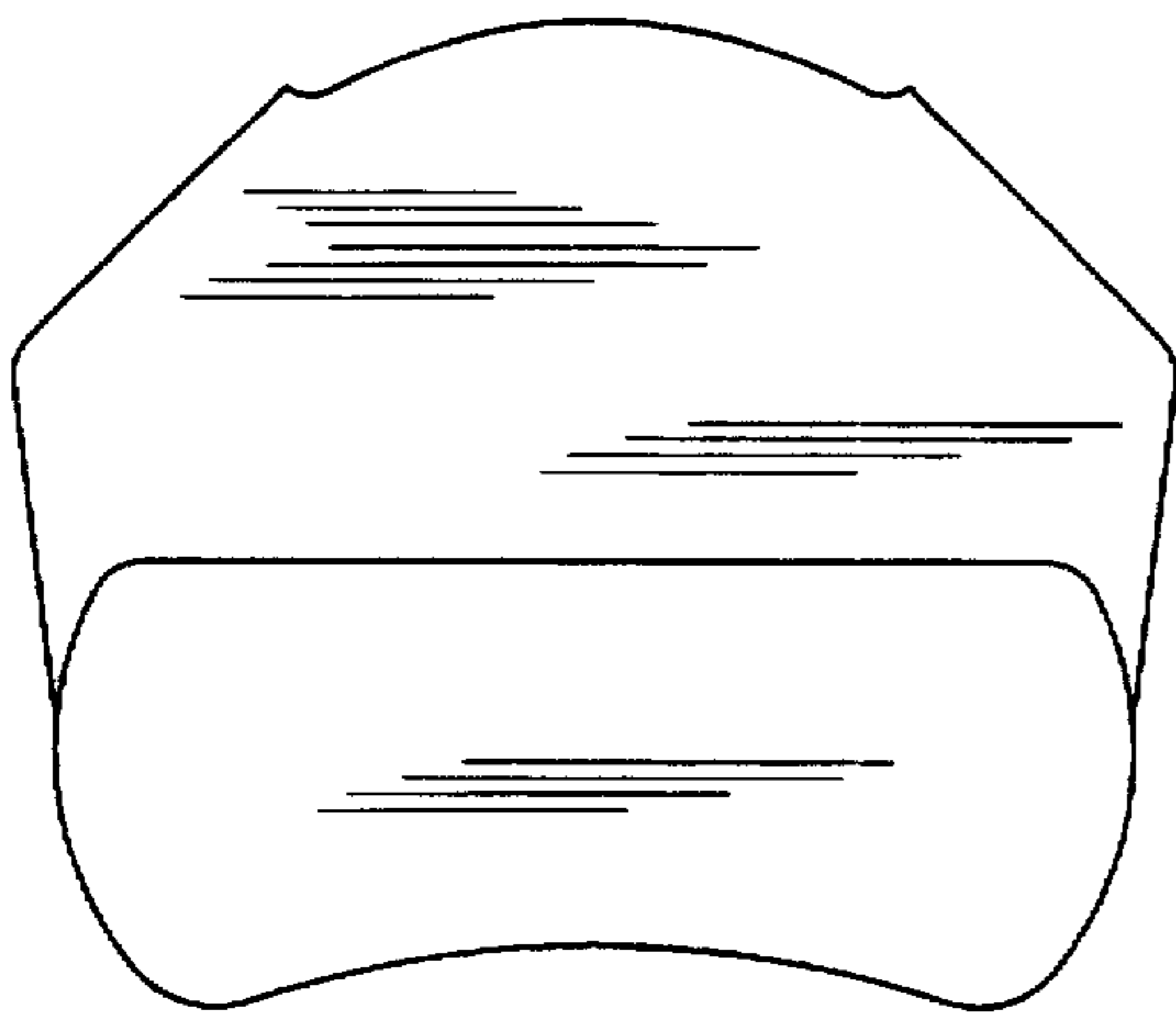


Fig. 3

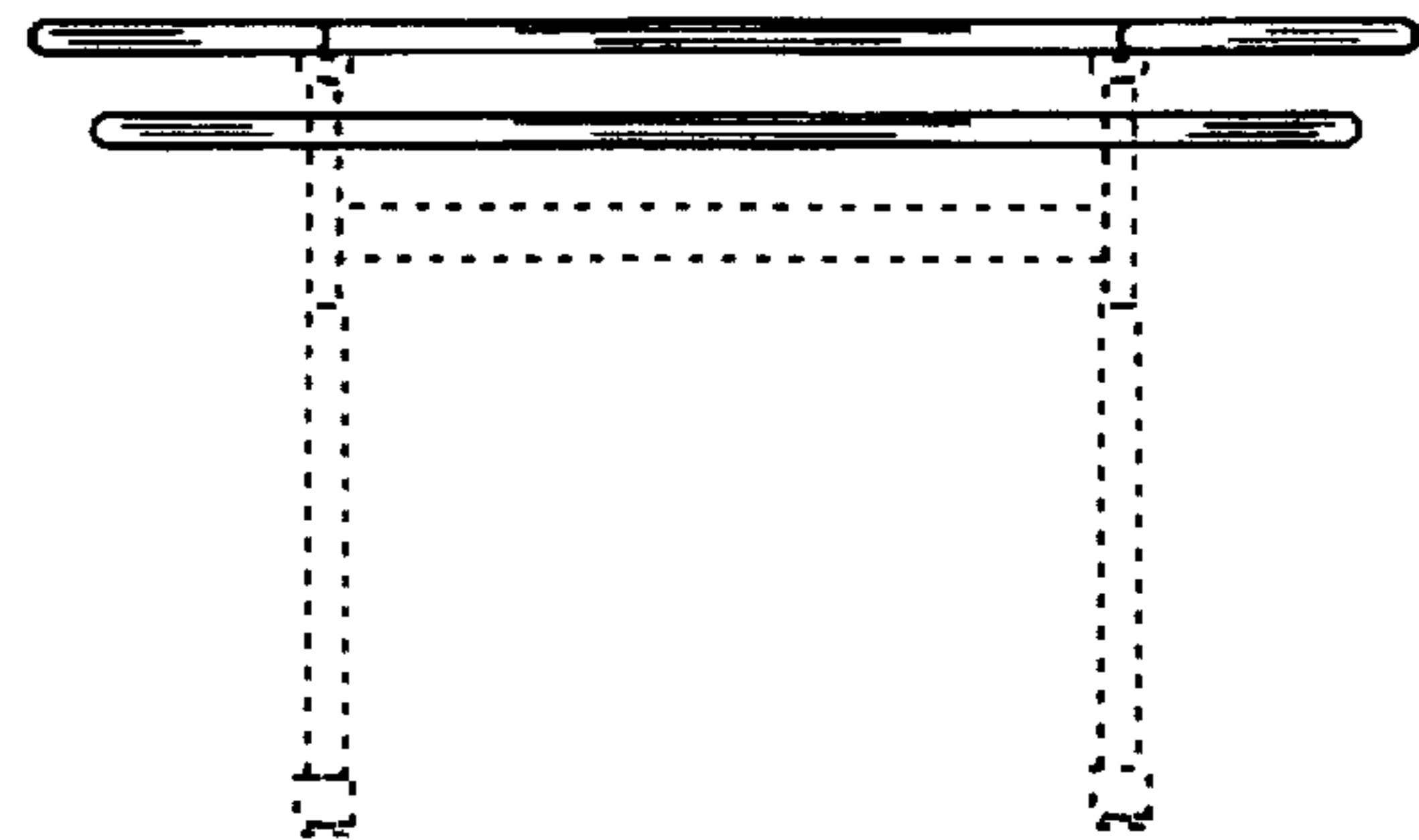


Fig. 4

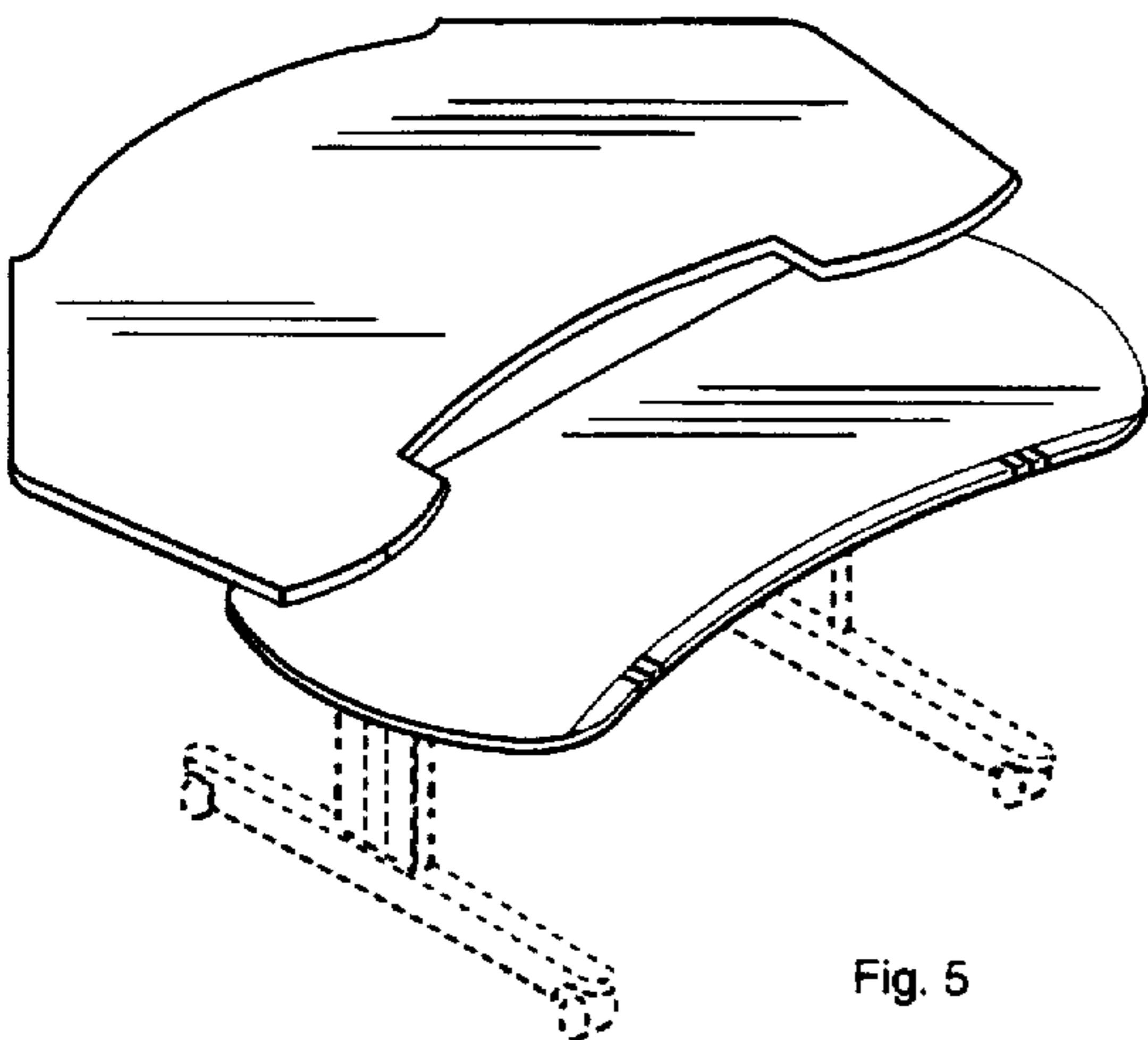


Fig. 5

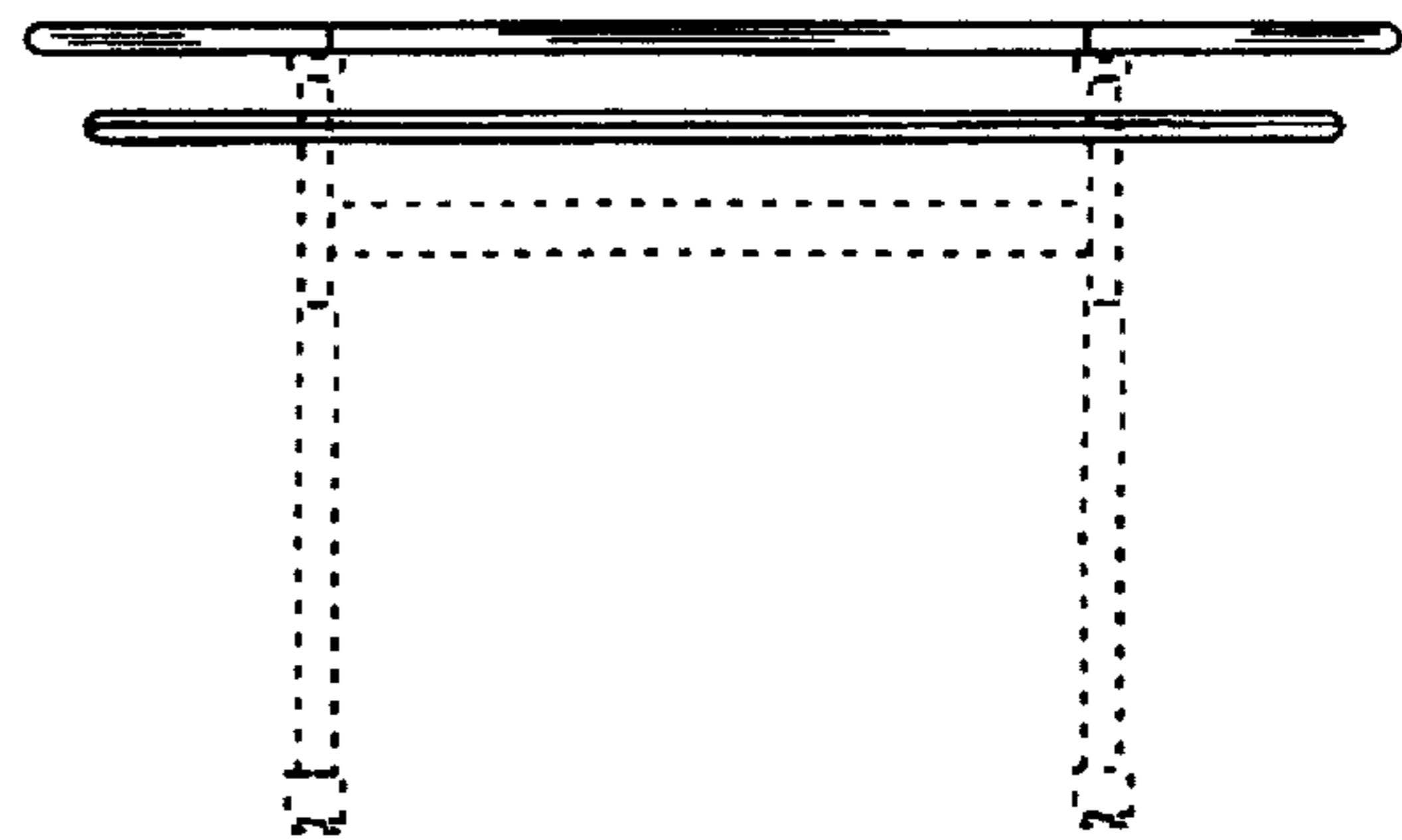


Fig. 6