



US00D395968S

United States Patent [19]
Shappell

[11] **Patent Number:** **Des. 395,968**
[45] **Date of Patent:** ****Jul. 14, 1998**

[54] **DISPLAY CASE DOOR**

D. 363,398 10/1995 Branz et al. D6/472
D. 377,800 2/1997 Branz et al. D6/472 X

[75] Inventor: **Robert A. Shappell**, Washington, N.J.

[73] Assignee: **Pike Machine Products, Inc.**,
Elizabeth, N.J.

[**] Term: **14 Years**

[21] Appl. No.: **69,868**

[22] Filed: **May 5, 1997**

[51] **LOC (6) Cl.** **06-04**

[52] **U.S. Cl.** **D6/509; D6/472; D15/91**

[58] **Field of Search** D6/470, 509, 471,
D6/472, 432, 436; D15/81, 88, 89, 91,
85, 79; 312/114, 116, 236, 119, 138.1,
139, 238; 62/337, 444, 457.1, 445

[56] **References Cited**

U.S. PATENT DOCUMENTS

D. 143,753 2/1946 Pinelli D15/81
D. 244,019 4/1977 Brown D15/81
D. 357,026 4/1995 Kelemen et al. D15/85

Primary Examiner—James Gandy
Assistant Examiner—Linda Brooks
Attorney, Agent, or Firm—Lerner, David, Littenberg,
Krumholz and Mentlik

[57] **CLAIM**

The ornamental design for a display case door, as shown and described.

DESCRIPTION

FIG. 1 is a front perspective view of a display case door, with a display case and shelves shown in broken lines for purposes of illustration only and forming no part of the claimed design;

FIG. 2 is a front plan view thereof;

FIG. 3 is a top plan view thereof, the bottom plan view being a mirror image;

FIG. 4 is a right side view thereof, the left side view being a mirror image; and,

FIG. 5 is a rear view thereof.

1 Claim, 3 Drawing Sheets

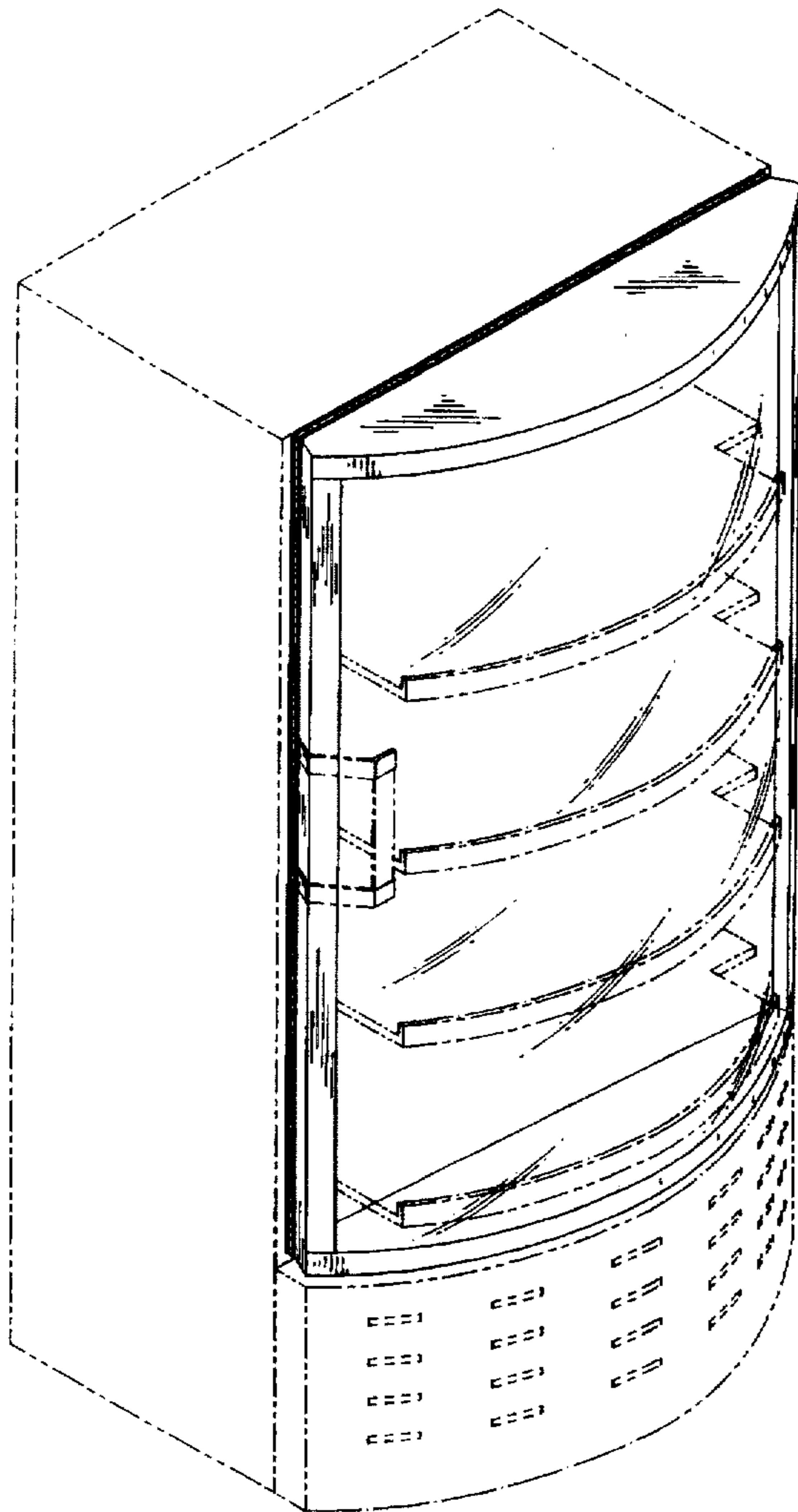


FIG. 1

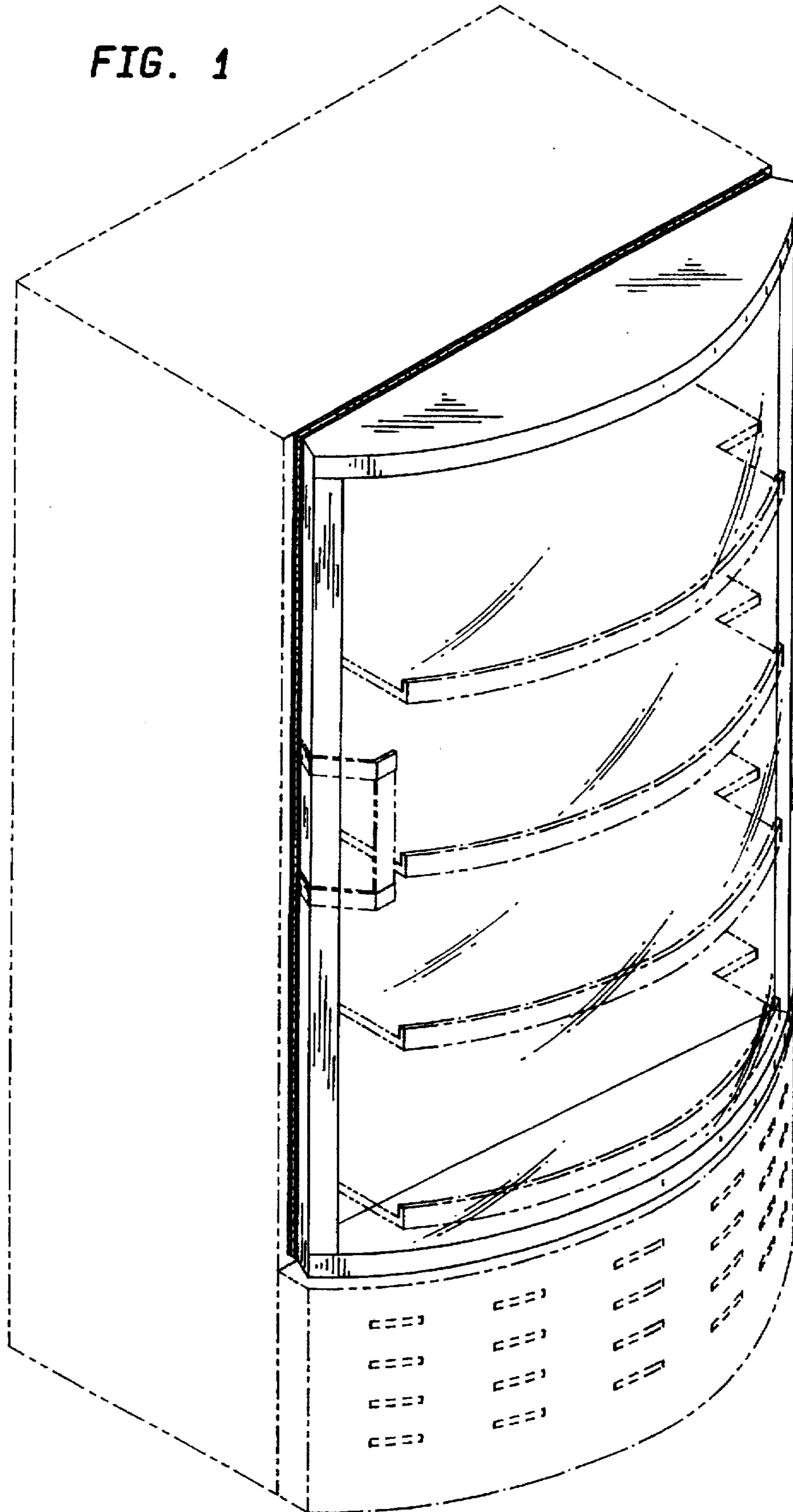


FIG. 2

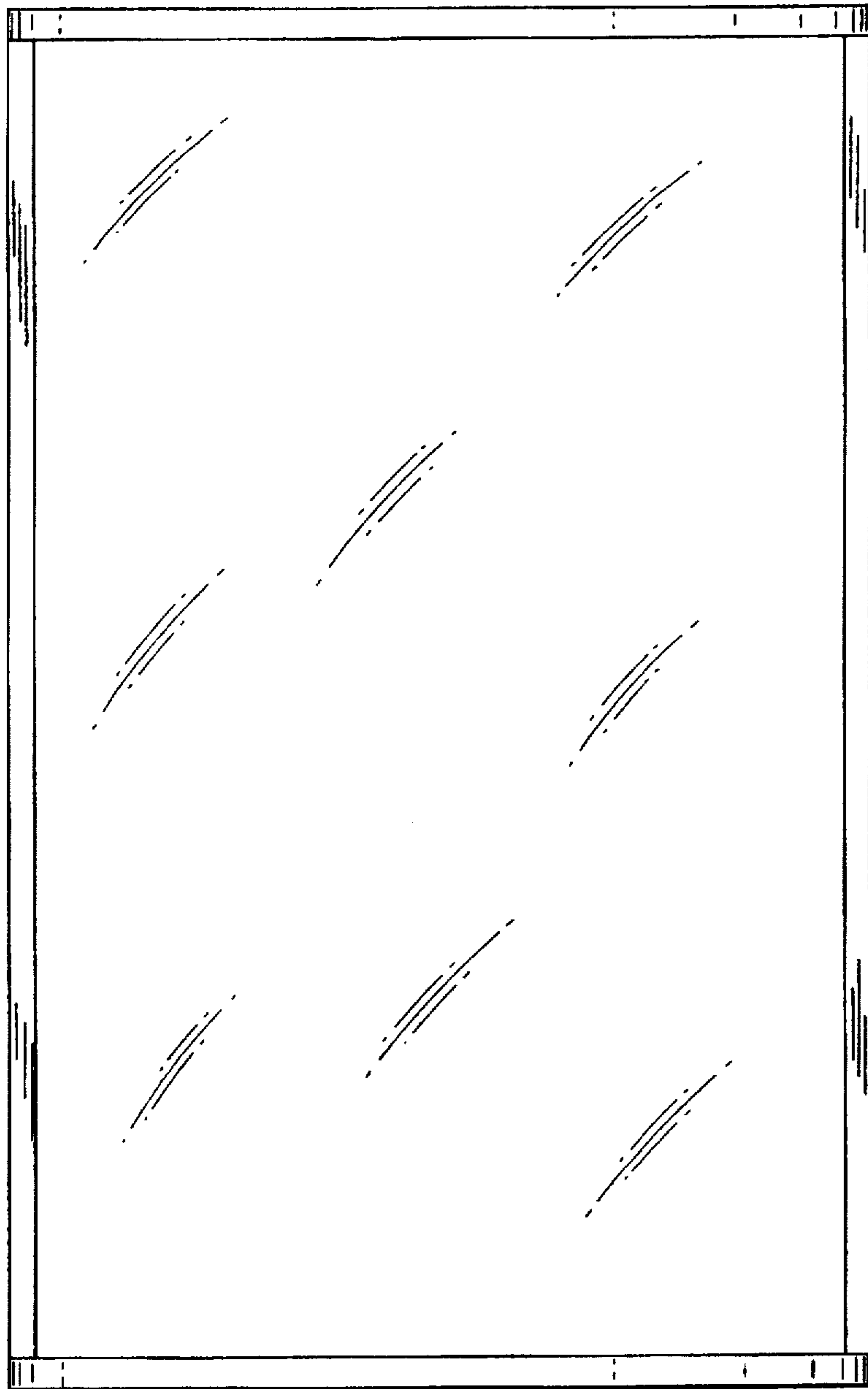


FIG. 4

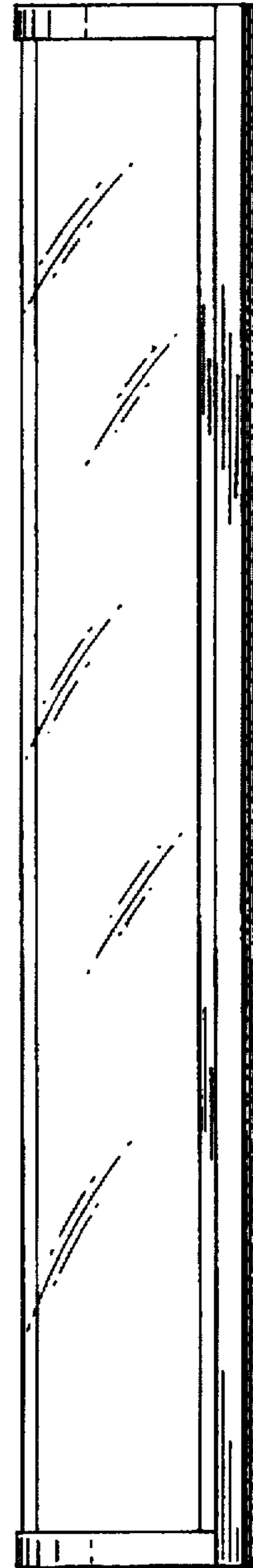


FIG. 3

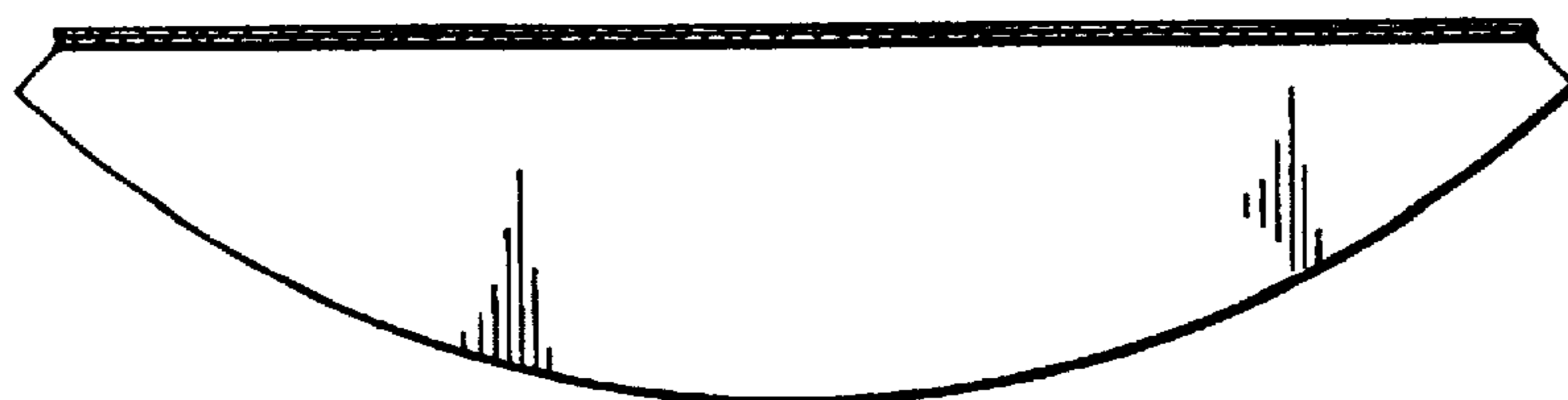


FIG. 5

