



US00D395960S

United States Patent [19]
Smith

[11] **Patent Number: Des. 395,960**
[45] **Date of Patent: **Jul. 14, 1998**

[54] **RECLINING THEATRE SEAT**

*Attorney, Agent, or Firm—*Sherman and Shalloway

[76] **Inventor: Jeffrey W. Smith, 12564 NE. 14th Ave., N. Miami, Fla. 33161**

[57] **CLAIM**

[**] **Term: 14 Years**

The ornamental design for a reclining theatre seat, as shown and described.

[21] **Appl. No.: 68,284**

DESCRIPTION

[22] **Filed: Mar. 26, 1997**

FIG. 1 is a top view of the reclining theatre seat of the new design;

[51] **LOC (6) Cl. 06-01**

[52] **U.S. Cl. D6/360; D6/367**

FIG. 2 is a front elevation view of the reclining theatre seat of the new design;

[58] **Field of Search D6/334, 335, 336, D6/360, 367, 371, 373, 381, 500, 501, 502; 297/232, DIG. 7**

FIG. 3 is a right side view of the reclining theatre seat of the new design, the left side being a mirror image;

[56] **References Cited**

U.S. PATENT DOCUMENTS

D. 173,625	12/1954	Maurer	D6/360
D. 235,943	7/1975	Long	D6/334
D. 239,900	5/1976	Long	D6/334
D. 263,098	2/1982	Long	D6/334

FIG. 4 is a right side view of the reclining theatre seat of the new design in the reclining position, the left side being a mirror image; and,

OTHER PUBLICATIONS

Frontgate Catalog, Autumn 1997, p. 21. Cinelounger at top right.

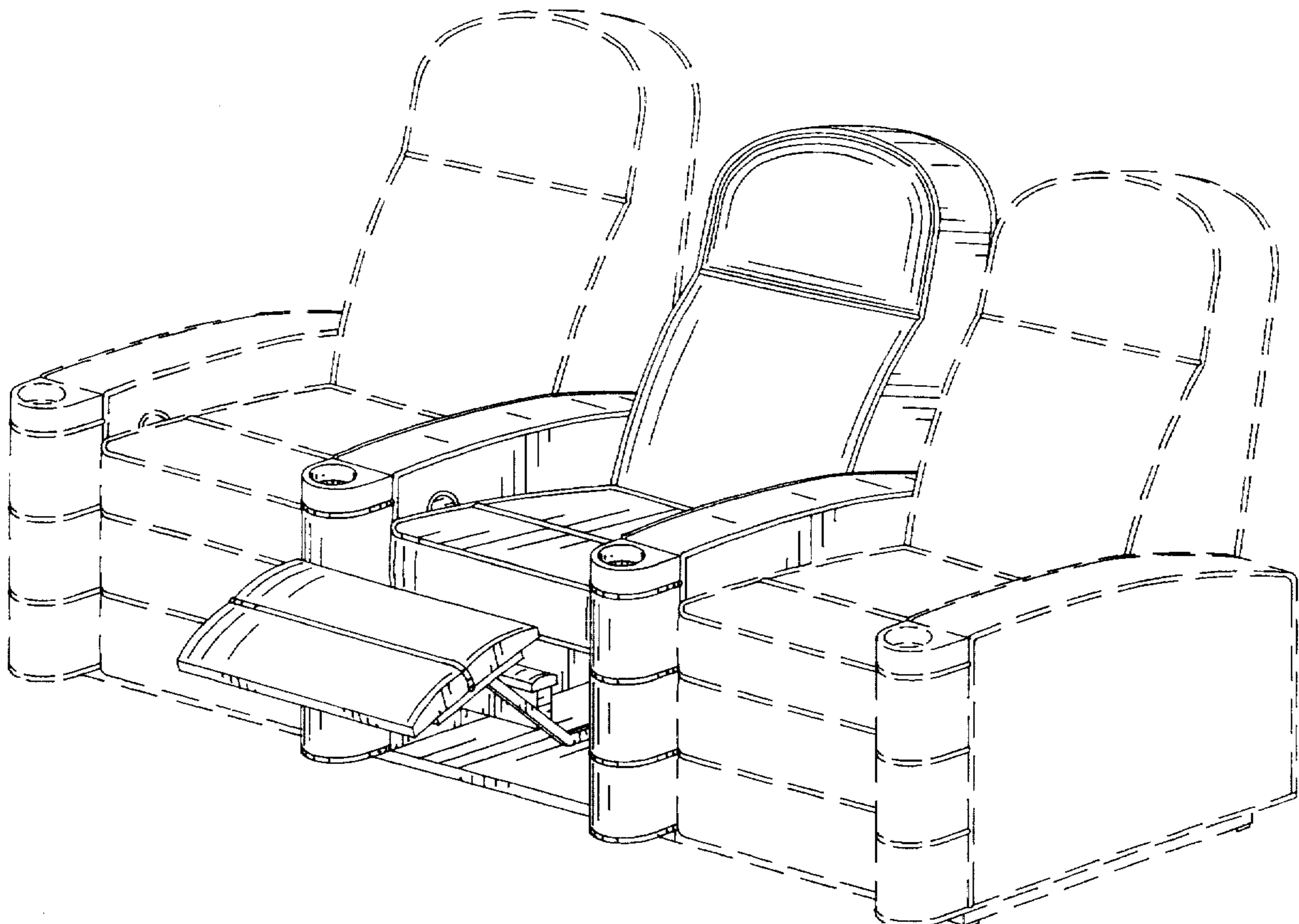
FIG. 5 is an oblique view of the design wherein the only difference resides in the repetition of parts and showing one seat in the reclined position.

The broken lines shown in FIG. 5 are for illustrative purposes only and form no part of the claimed design.

The undisclosed rear view is not part of the claimed design.

*Primary Examiner—*Gary D. Watson

1 Claim, 5 Drawing Sheets



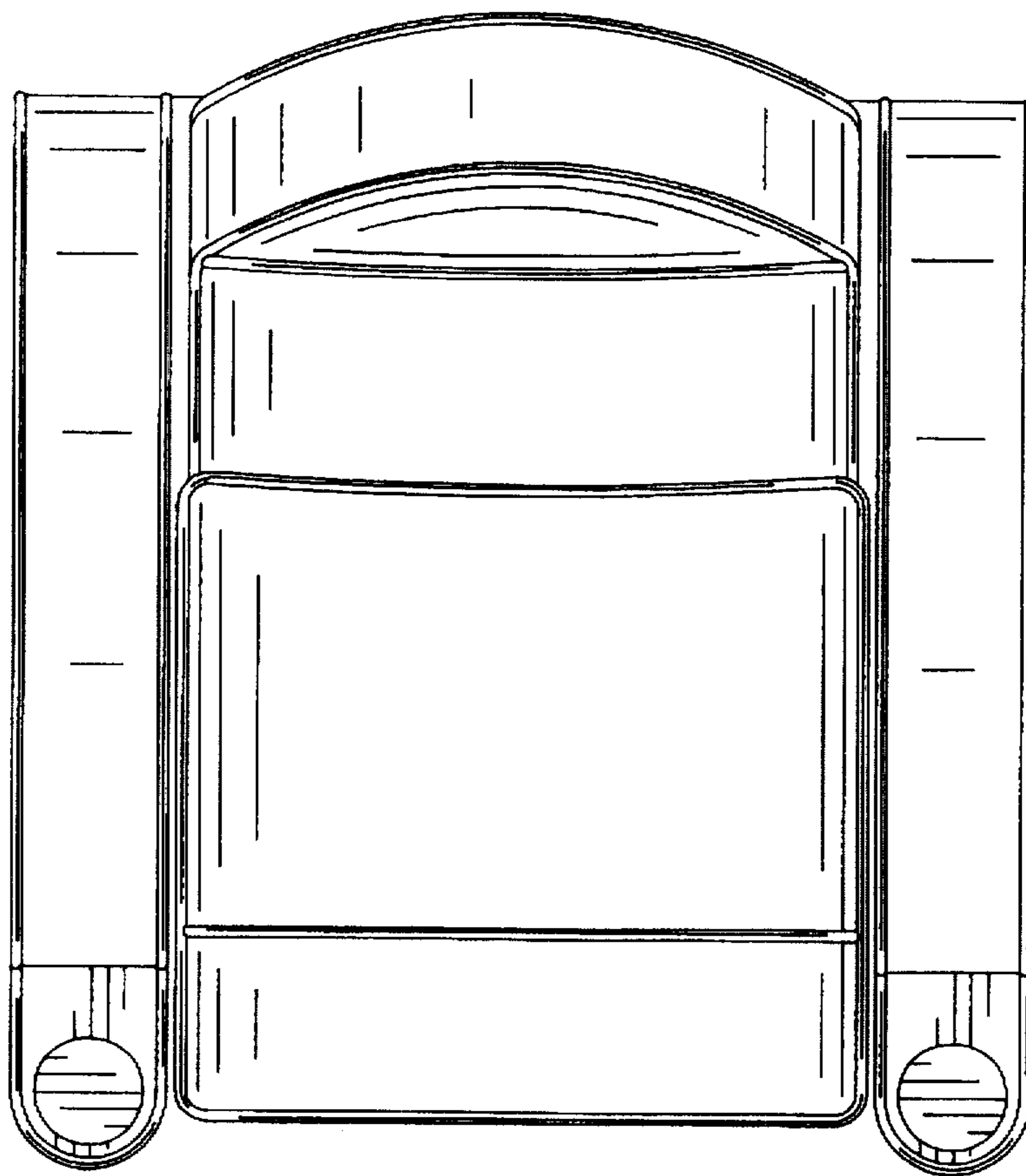


FIG. 1

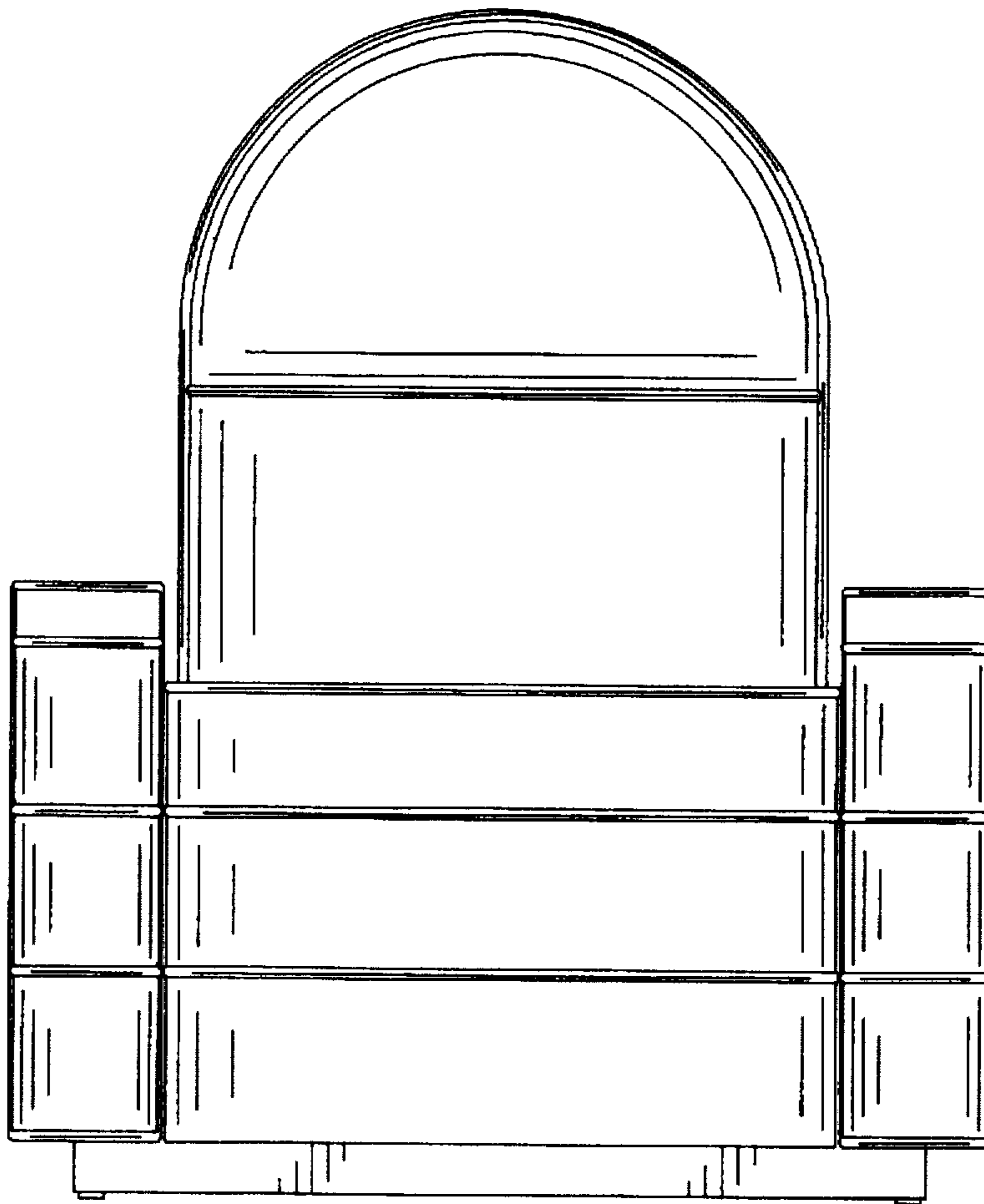


FIG. 2

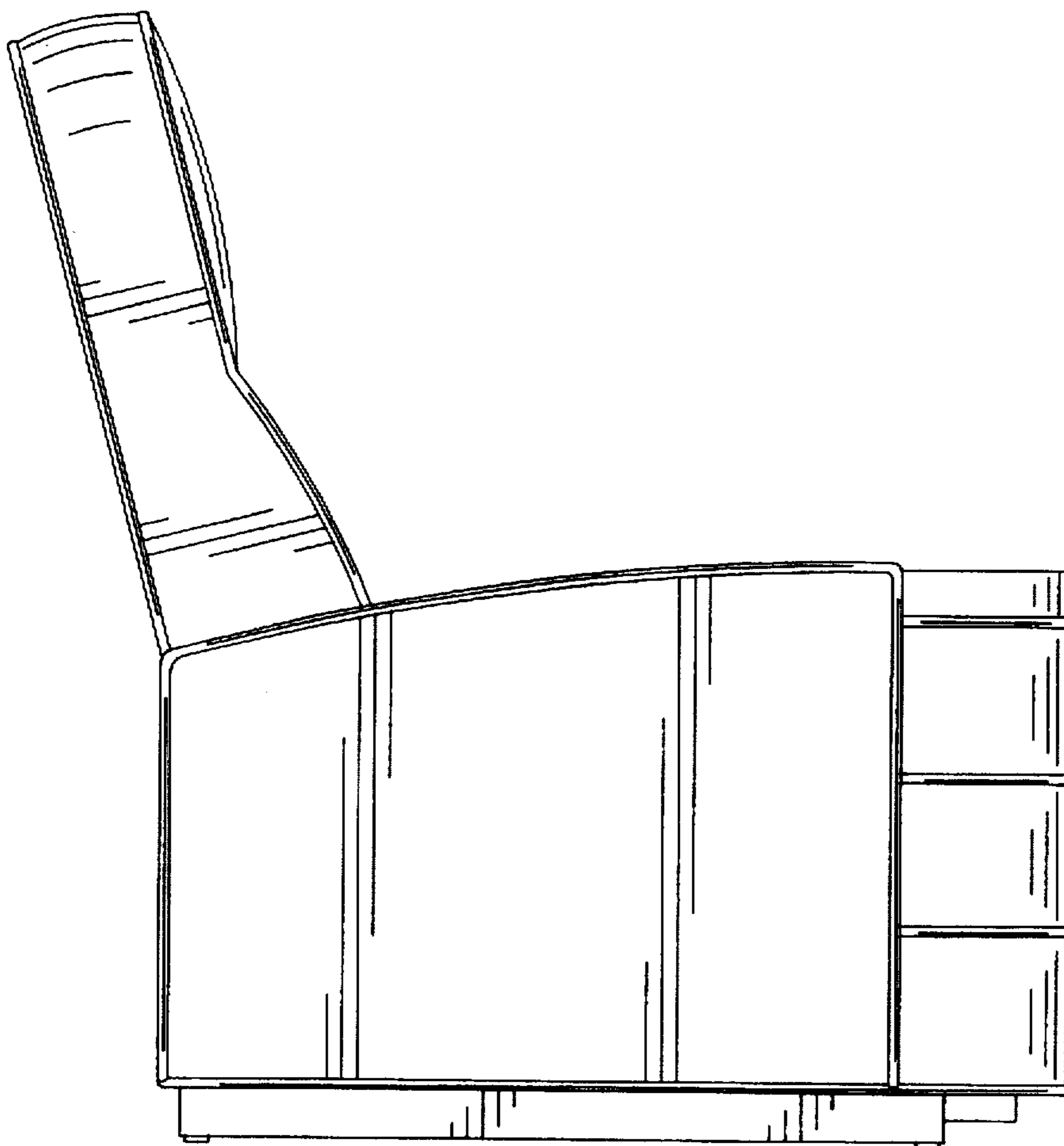


FIG. 3

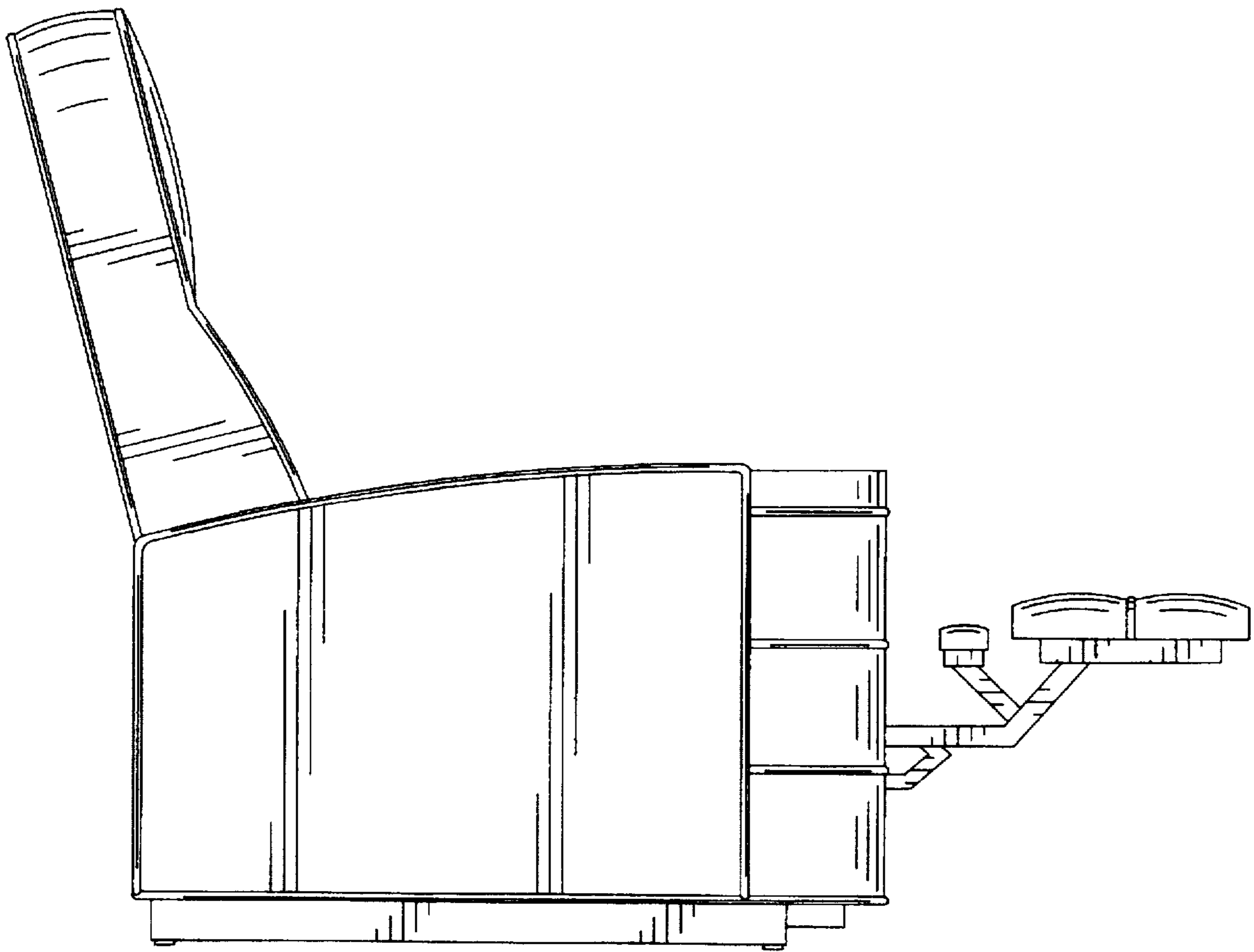


FIG. 4

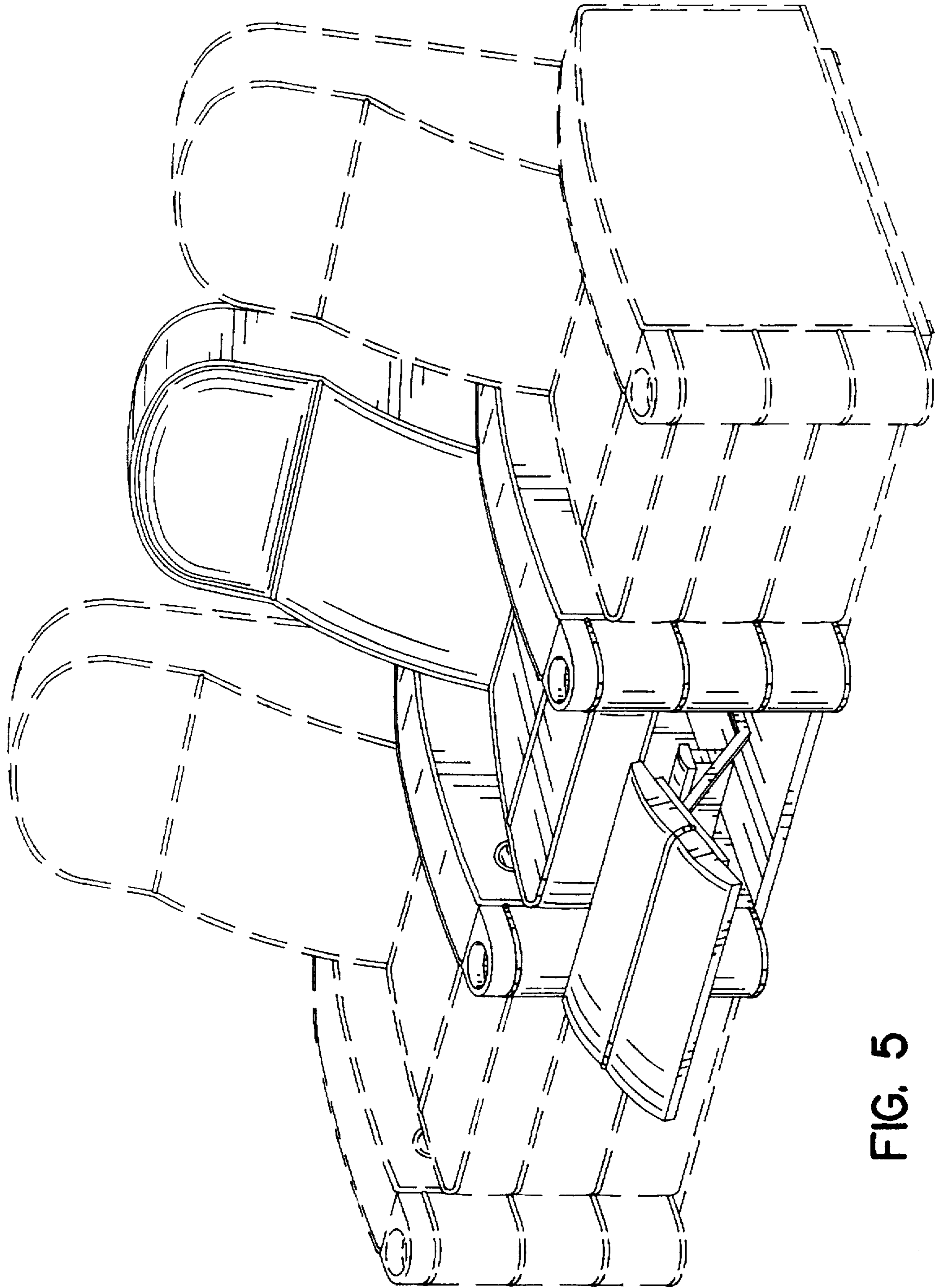


FIG. 5