



US00D395953S

United States Patent [19]

Weyrauch et al.

[11] Patent Number: **Des. 395,953**

[45] Date of Patent: ****Jul. 14, 1998**

[54] SEPARATING DEVICE

[76] Inventors: **Dennis L. Weyrauch**, 14503 E. 40th Ter., Independence, Mo. 64055; **Charles D. Miller, Jr.**, 703 Piute, Independence, Mo. 64056

[**] Term: **14 Years**

[21] Appl. No.: **58,450**

[22] Filed: **Aug. 15, 1996**

[51] LOC (6) Cl. **03-01**

[52] U.S. Cl. **D3/313; D7/361; D7/554**

[58] Field of Search **D3/304, 306, 307, D3/312, 314, 315, 308, 313, 310, 311; D7/553, 555, 369, 554; 220/575, 501**

[56] References Cited

U.S. PATENT DOCUMENTS

D. 38,779	9/1907	Wilhelm et al.	D7/555
D. 184,075	12/1958	Tupper	D7/553
D. 211,841	7/1968	Johanson et al.	D3/310
D. 284,611	7/1986	Cotney et al.	D3/313
D. 382,402	8/1997	Pawuk et al.	D3/304
1,100,298	6/1914	Haas	D7/555 X
2,549,440	4/1951	Erro	D7/555 X

Primary Examiner—M. N. Pandozzi
Attorney, Agent, or Firm—Shook, Hardy & Bacon L.L.P.

[57] CLAIM

The ornamental design for a separating device, as shown and described.

DESCRIPTION

FIG. 1 is a top perspective view of a separating device showing our new design;

FIG. 2 is a top plan view of the separating device shown in FIG. 1;

FIG. 3 is an elevational view of one side of the separating device shown in FIG. 1, the other side being a mirror image thereof;

FIG. 4 is an elevational view of one end of the separating device shown in FIG. 1;

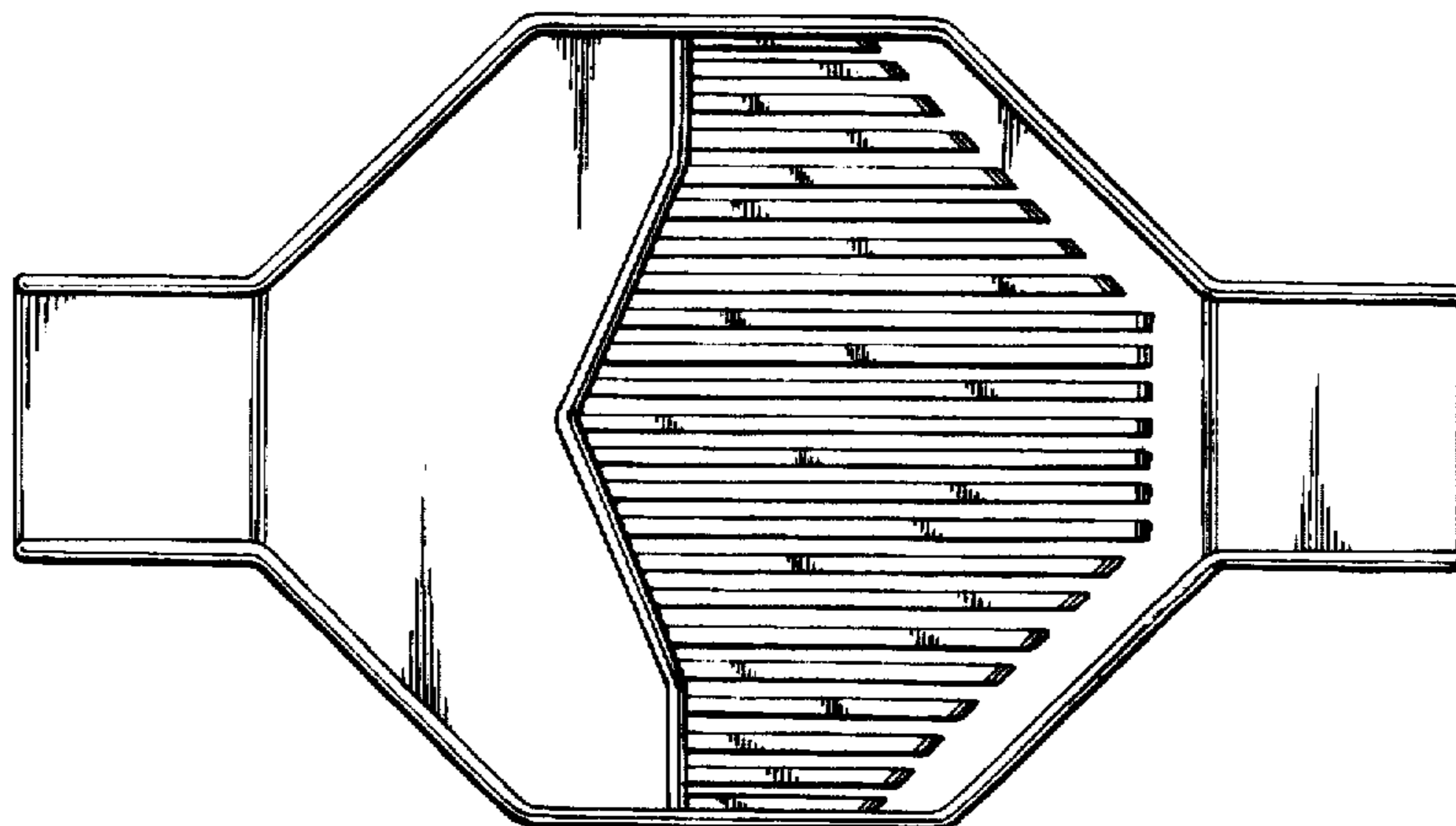
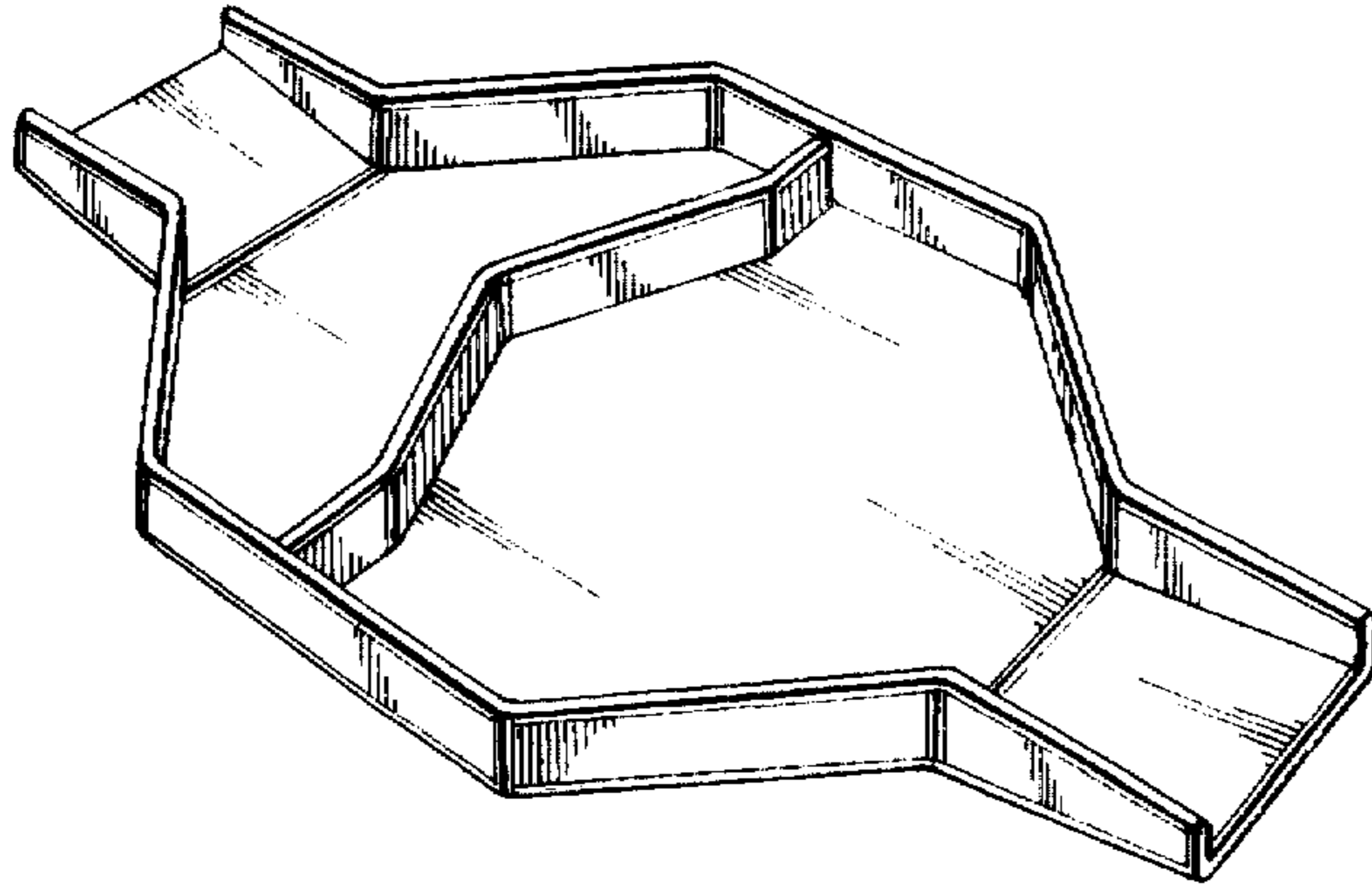
FIG. 5 is an elevational view of the other end of the separating device shown in FIG. 1;

FIG. 6 is a bottom plan view of the separating device shown in FIG. 1;

FIG. 7 is a top perspective view of a separating device showing a second embodiment of our new design; and,

FIG. 8 is a top plan view thereof. The side, end, and bottom views of the second embodiment are identical to that of the first embodiment.

1 Claim, 3 Drawing Sheets



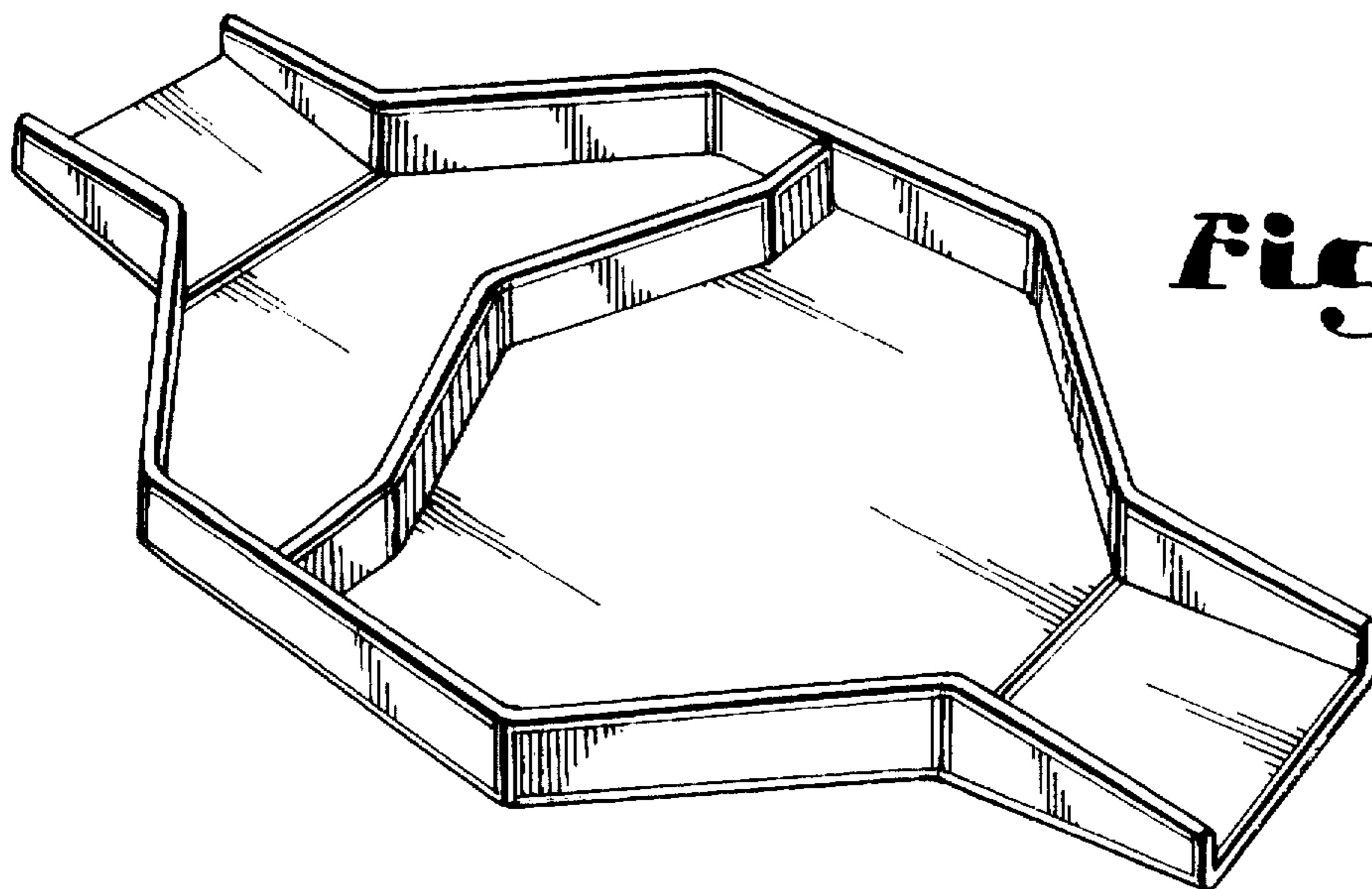


Fig. 1.

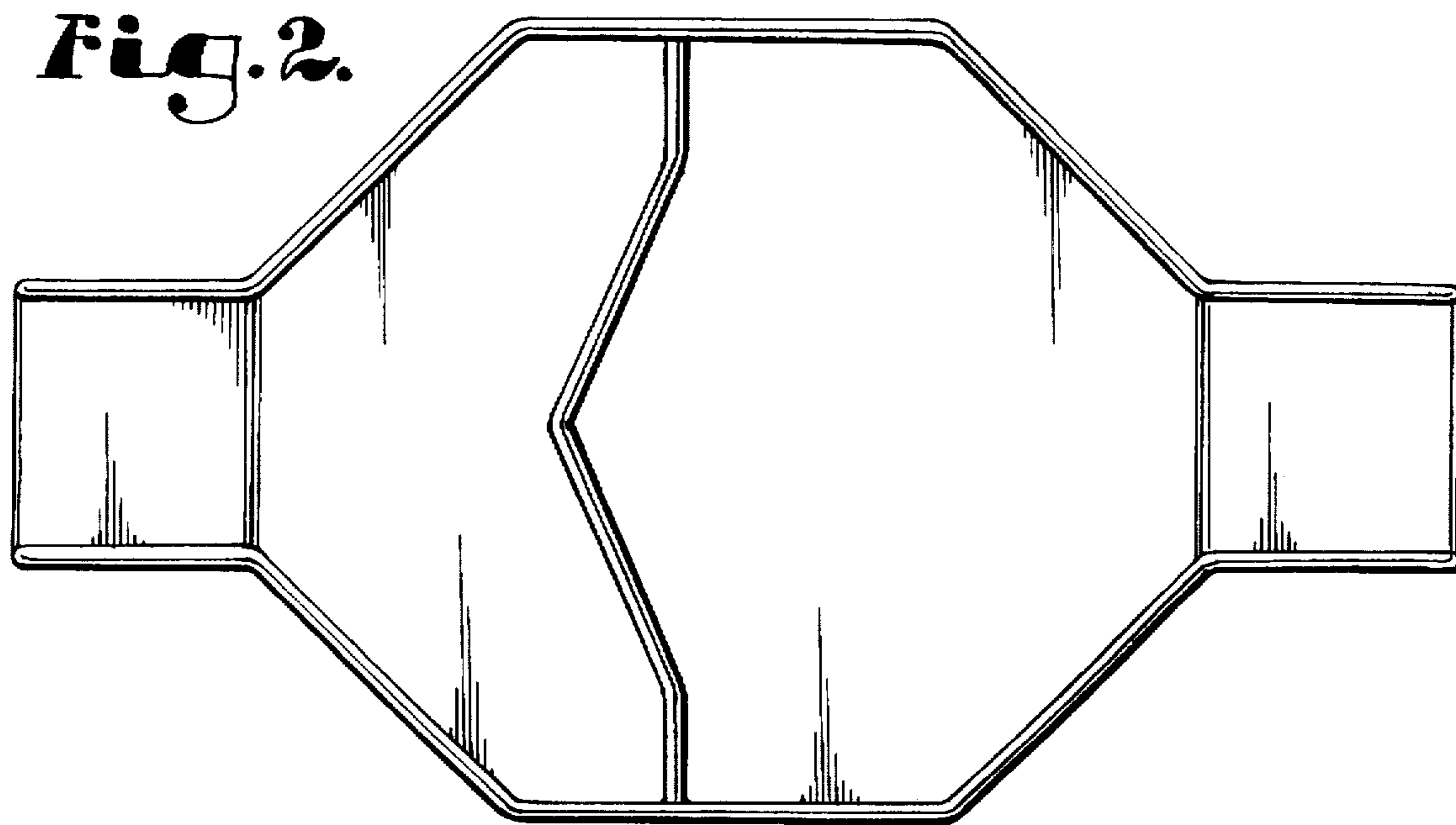


Fig. 2.

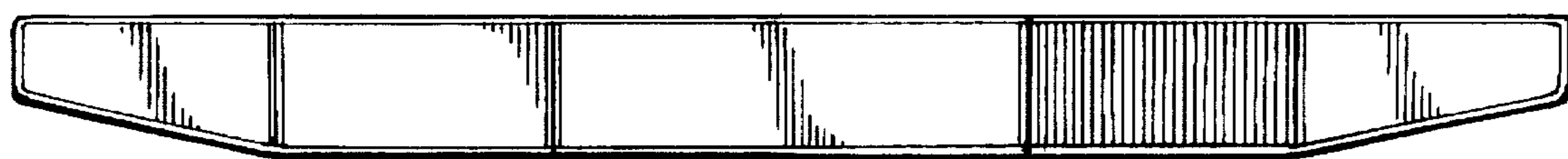


Fig. 3.

Fig. 4.



Fig. 5.



Fig. 6.

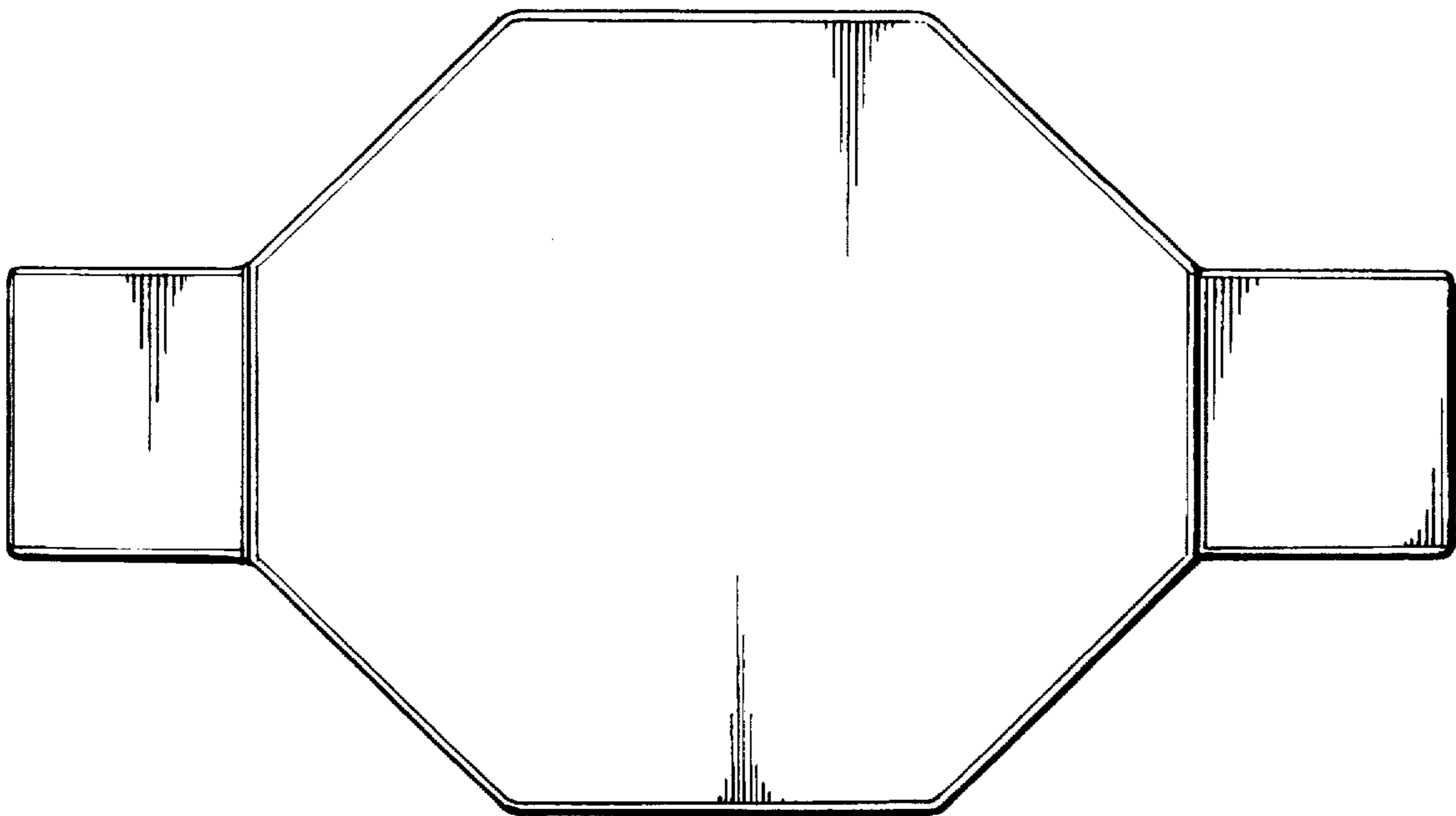


Fig. 1.

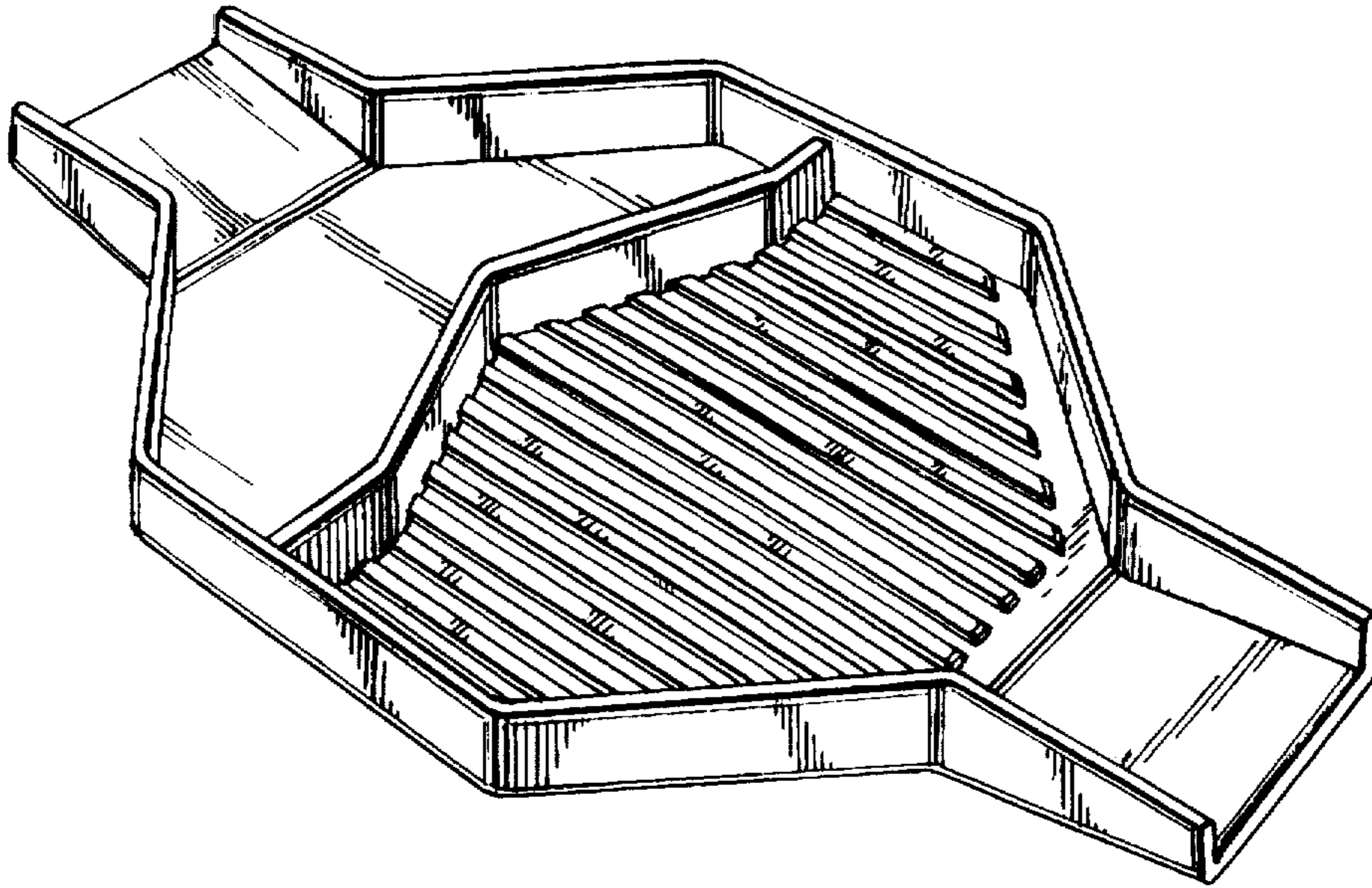


Fig. 8.

