



US00D395952S

United States Patent [19]

Buczynski et al.

[11] Patent Number: **Des. 395,952**

[45] Date of Patent: ****Jul. 14, 1998**

[54] CONTAINER

[75] Inventors: **Carey Alix Buczynski; Todd Christopher Larson; Annamaria Serbiak**, all of Appleton, Wis.; **Alfred Jack Astoreca**, Annandale; **Peter Anthony Piscopo**, Medford, both of N.J.; **Richard Herman Seager**, Mystic, Conn.

[73] Assignee: **Kimberly-Clark Worldwide, Inc.**, Neenah, Wis.

[**] Term: **14 Years**

[21] Appl. No.: **71,678**

[22] Filed: **Jun. 4, 1997**

[51] LOC (6) Cl. **03-01**

[52] U.S. Cl. **D3/294**

[58] Field of Search D3/294, 272, 273, D3/295; D9/423, 424, 420, 425; 206/503, 508, 511, 518; 220/334, 335, 337, 350, 354, 355, 356

[56] References Cited

U.S. PATENT DOCUMENTS

D. 182,255	3/1958	Smith .	
D. 289,262	4/1987	Goetz et al.	D9/423
D. 311,334	10/1990	Flynn et al.	D9/424
D. 315,870	4/1991	Perdue, Jr. et al.	D9/424
D. 330,161	10/1992	Schuh	D9/423
D. 342,609	12/1993	Brightbill	D3/294
D. 363,669	10/1995	Pennoyer, Jr.	D9/423
D. 364,563	11/1995	Miller et al.	D9/423
D. 367,609	3/1996	Frank et al.	D9/423
D. 371,962	7/1996	Petruzzi	D9/424
D. 374,774	10/1996	Cassel	D3/273
D. 381,512	7/1997	Green	D3/294
D. 384,502	10/1997	Seager	D9/423
2,735,542	2/1956	Shnitzler	206/16
2,842,178	7/1958	Solomon	150/0.5
3,383,009	5/1968	Weikert	220/97
3,737,067	6/1973	Palson	220/60 R
3,747,802	7/1973	Uroshevich	221/63
4,079,880	3/1978	Edwards	229/45 R
4,377,245	3/1983	Patty	220/336

4,522,312	6/1985	Rathgeber et al.	220/324
4,671,408	6/1987	Raines et al.	206/365
4,684,024	8/1987	Ebrahim et al.	206/464
4,730,731	3/1988	Allison	206/540
4,746,008	5/1988	Heverly et al.	206/1.5
4,787,526	11/1988	Pehr	215/216
4,890,742	1/1990	Allison	206/540
4,925,041	5/1990	Pehr	215/216
4,938,513	7/1990	Gunderson	292/80
4,971,372	11/1990	Gunderson	292/80
4,986,438	1/1991	Borst	220/315
4,989,747	2/1991	Demurger	220/324
5,033,778	7/1991	Niles et al.	292/66
5,050,737	9/1991	Joslyn et al.	206/494
5,050,762	9/1991	Giorgi	220/281
5,100,015	3/1992	Vanderstuyf	220/326
5,322,178	6/1994	Foos	220/326

FOREIGN PATENT DOCUMENTS

2 306 359 A1	10/1976	France	F16B 17/00
5-338660 A	12/1993	Japan .	

OTHER PUBLICATIONS

Derwent World Patent Database abstract of JP 5/338,660: Description of Yazaki Corp., "Cover Lock Structure For Relay Switch Block."

Primary Examiner—Philip S. Hyder

Attorney, Agent, or Firm—Jeffrey B. Curtin

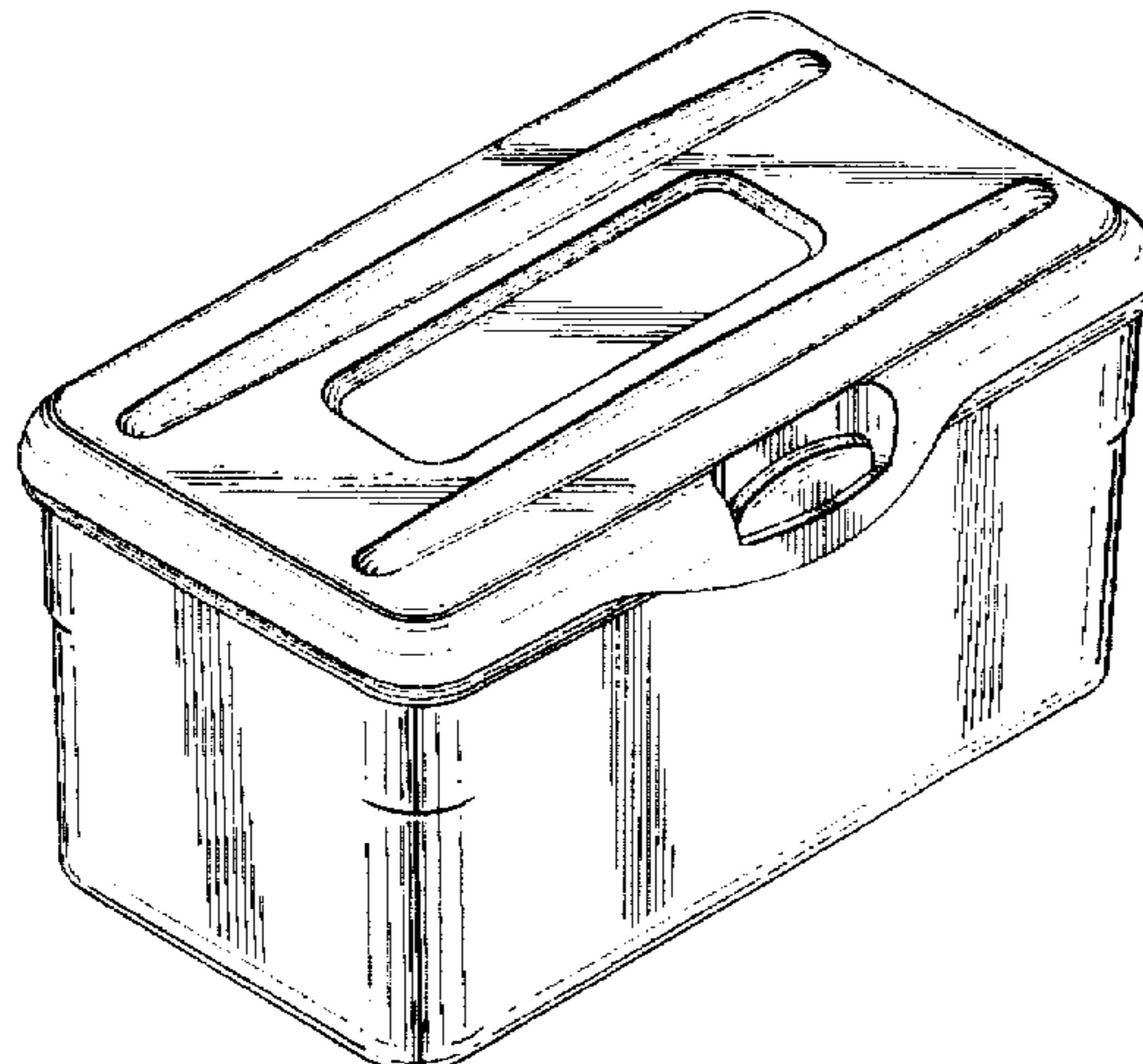
[57] CLAIM

The ornamental design for a container, as shown and described.

DESCRIPTION

FIG. 1 is a front elevational view of the container showing our new design;
FIG. 2 is a rear elevation thereof;
FIG. 3 is a left side elevation thereof;
FIG. 4 is a right side elevation view;
FIG. 5 is a top plan view thereof;
FIG. 6 is a bottom plan view thereof;
FIG. 7 is a perspective view thereof; and,
FIG. 8 is a perspective view thereof with the lid laid back to show the interior of the container.

1 Claim, 5 Drawing Sheets



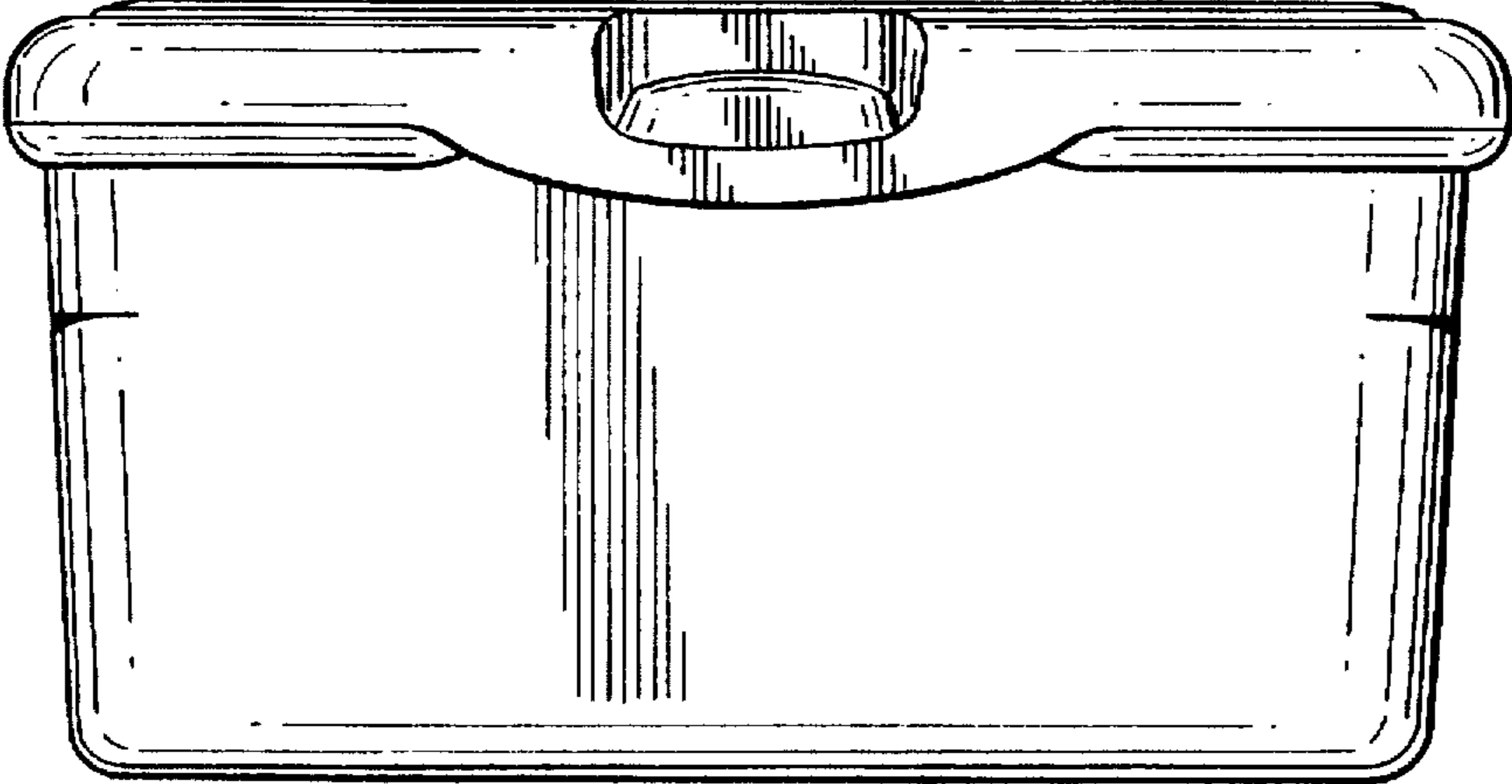


FIG. 1

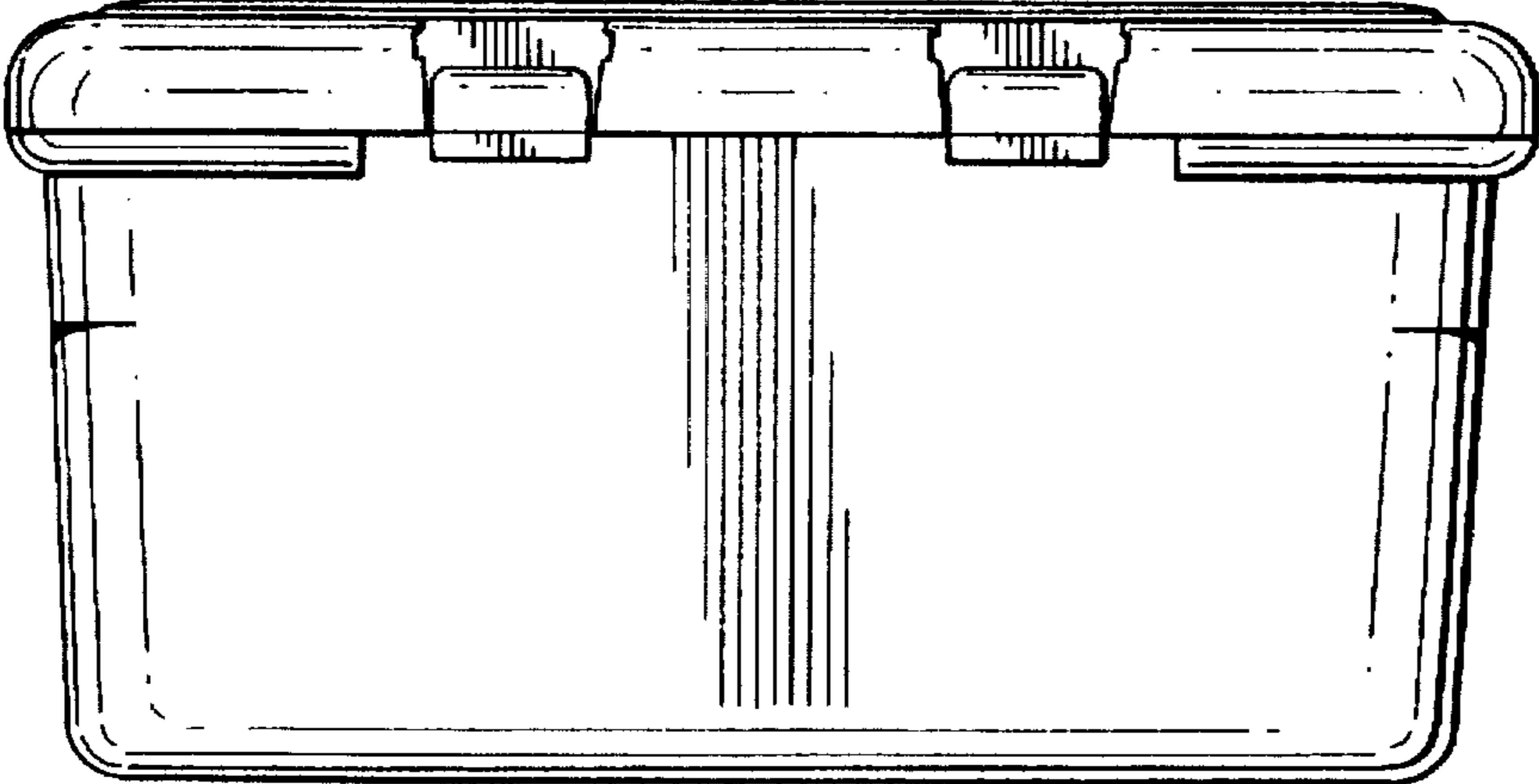


FIG. 2

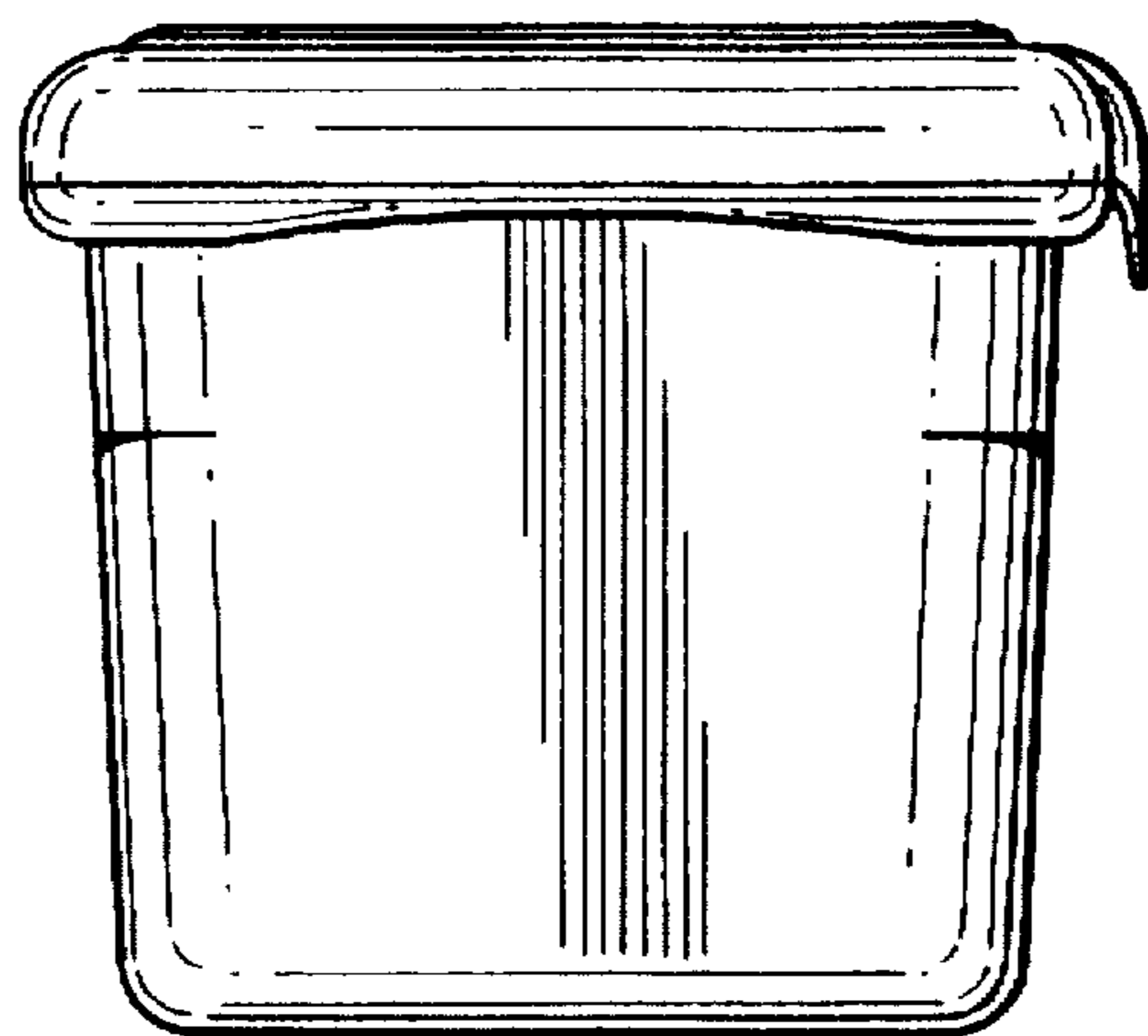


FIG. 3

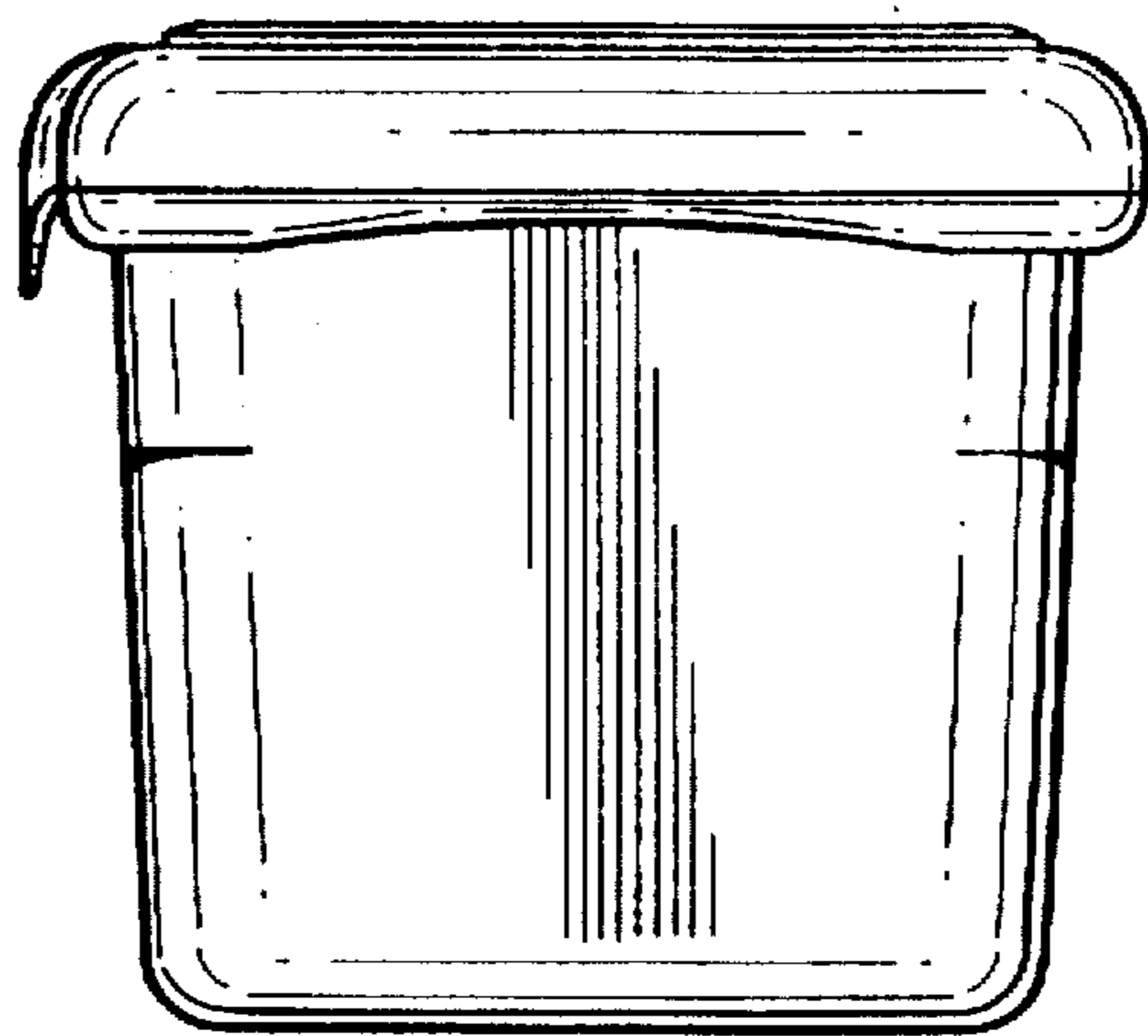


FIG. 4

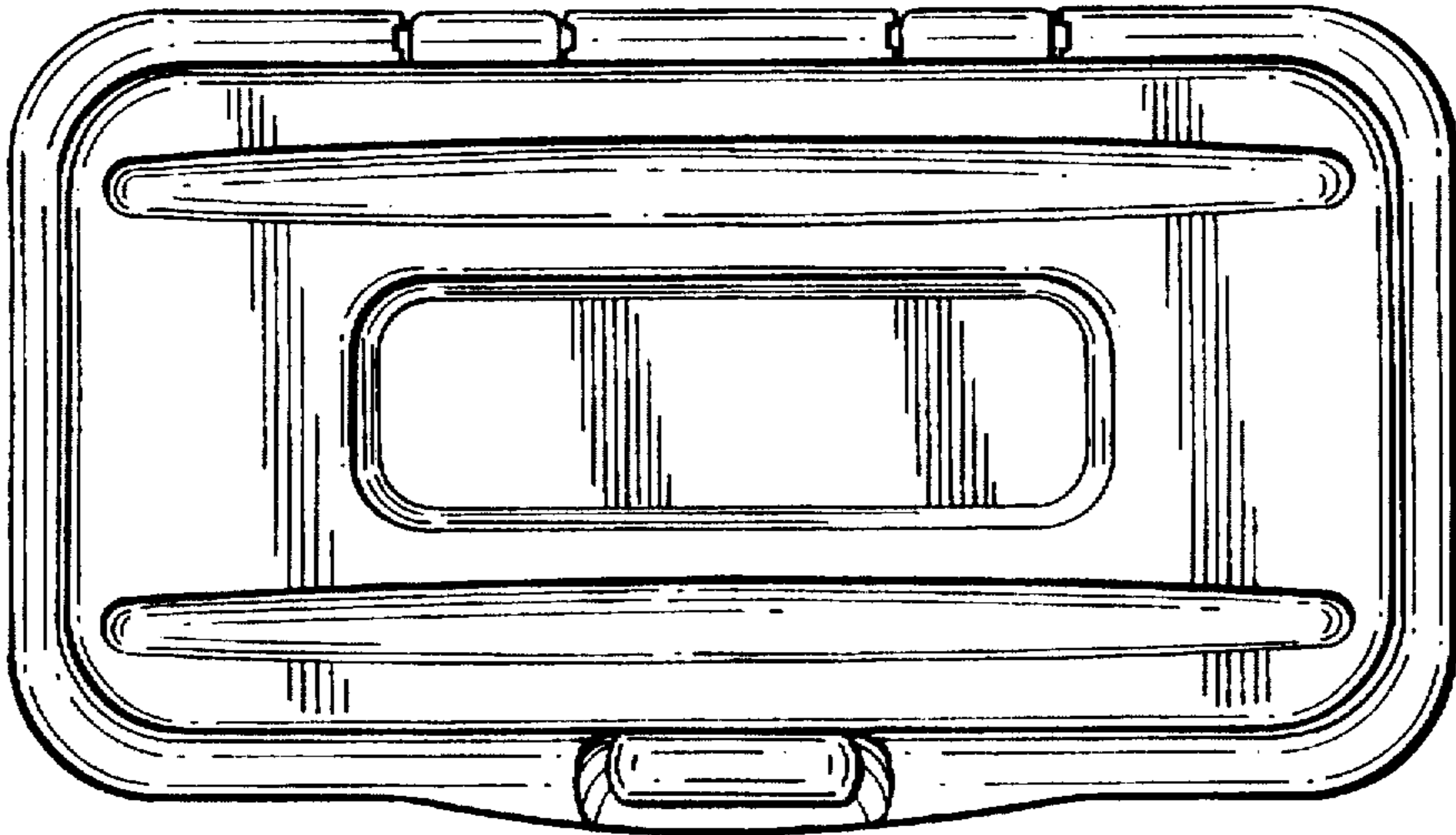


FIG. 5

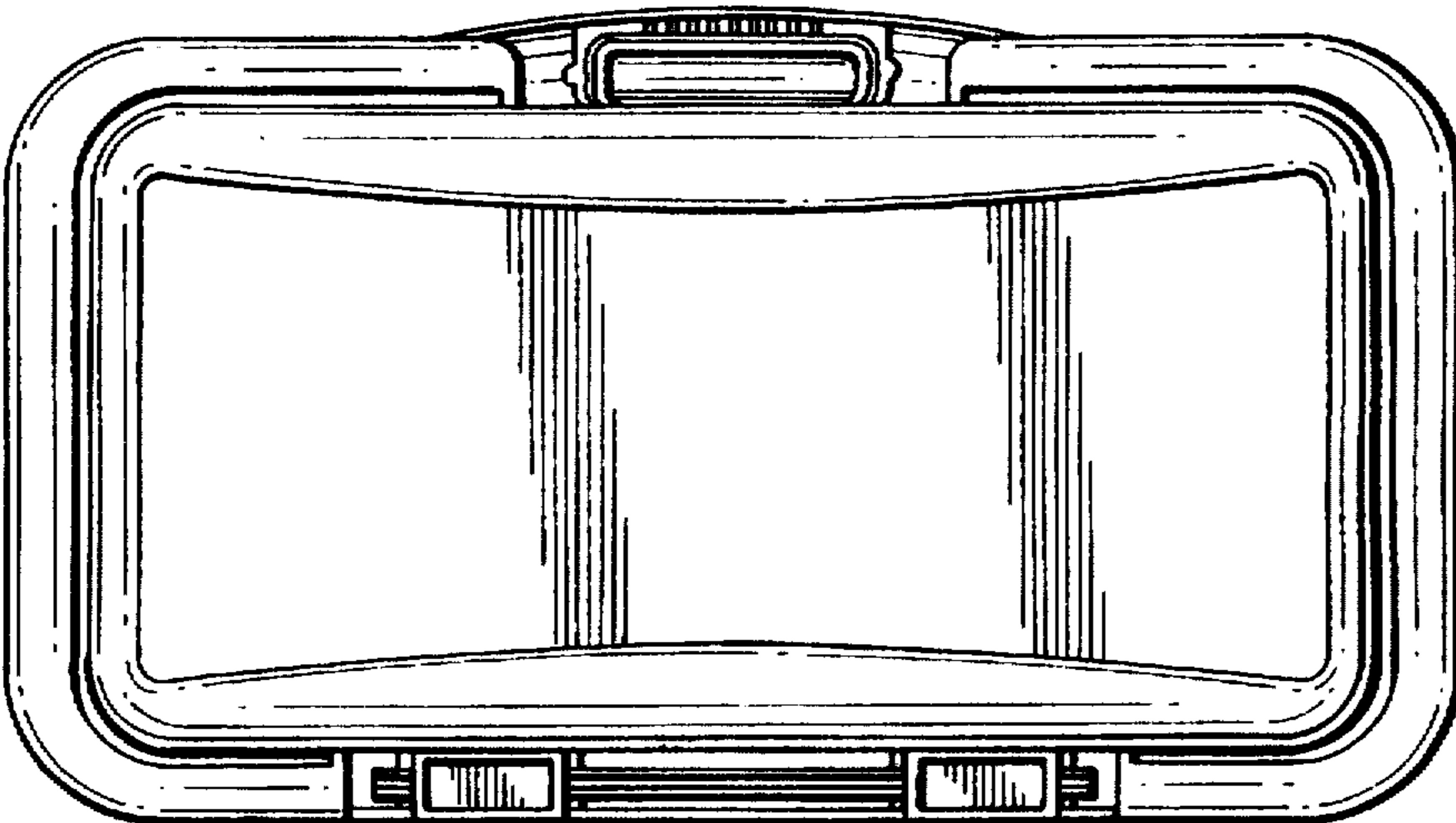


FIG. 6

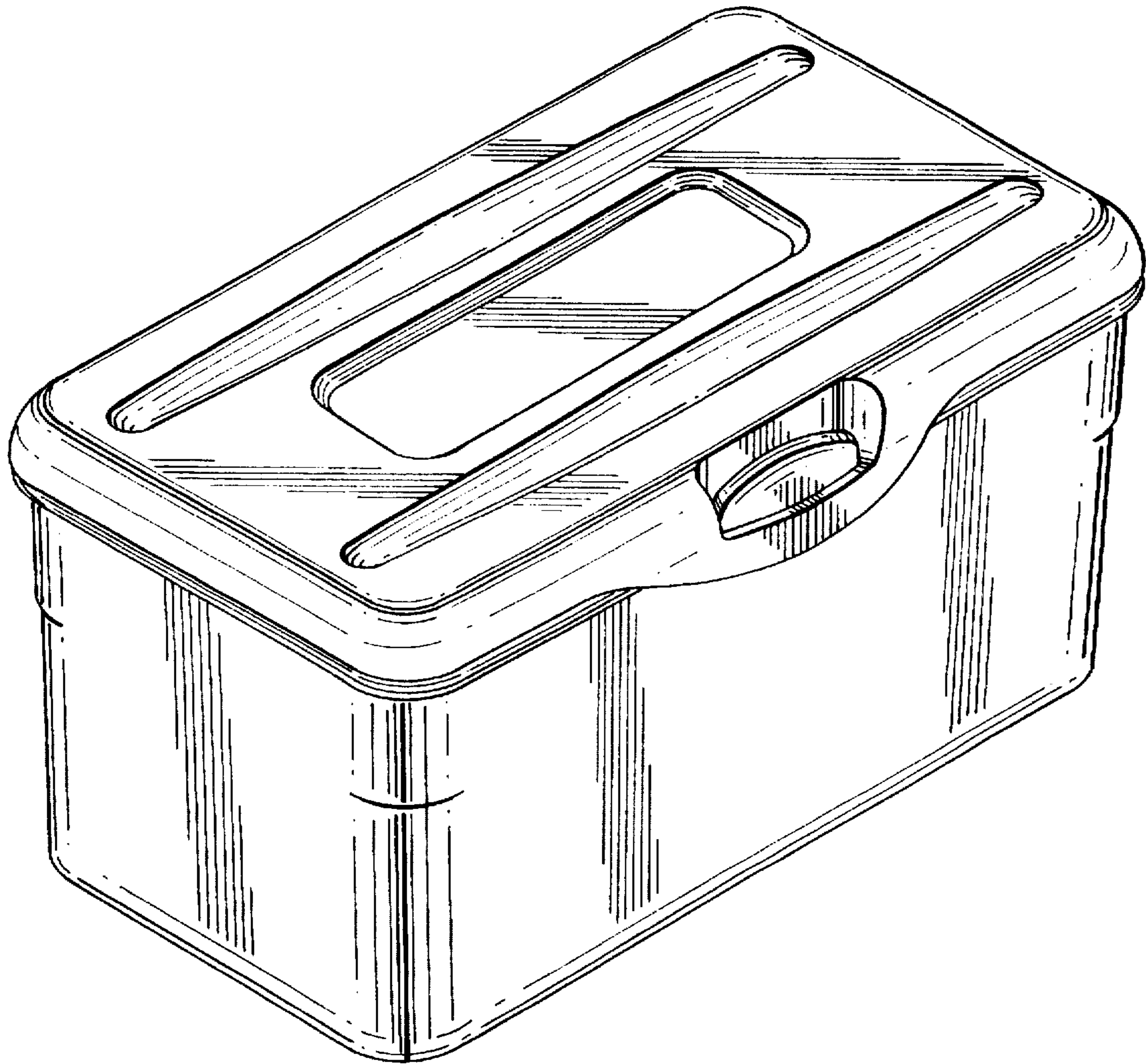


FIG. 7

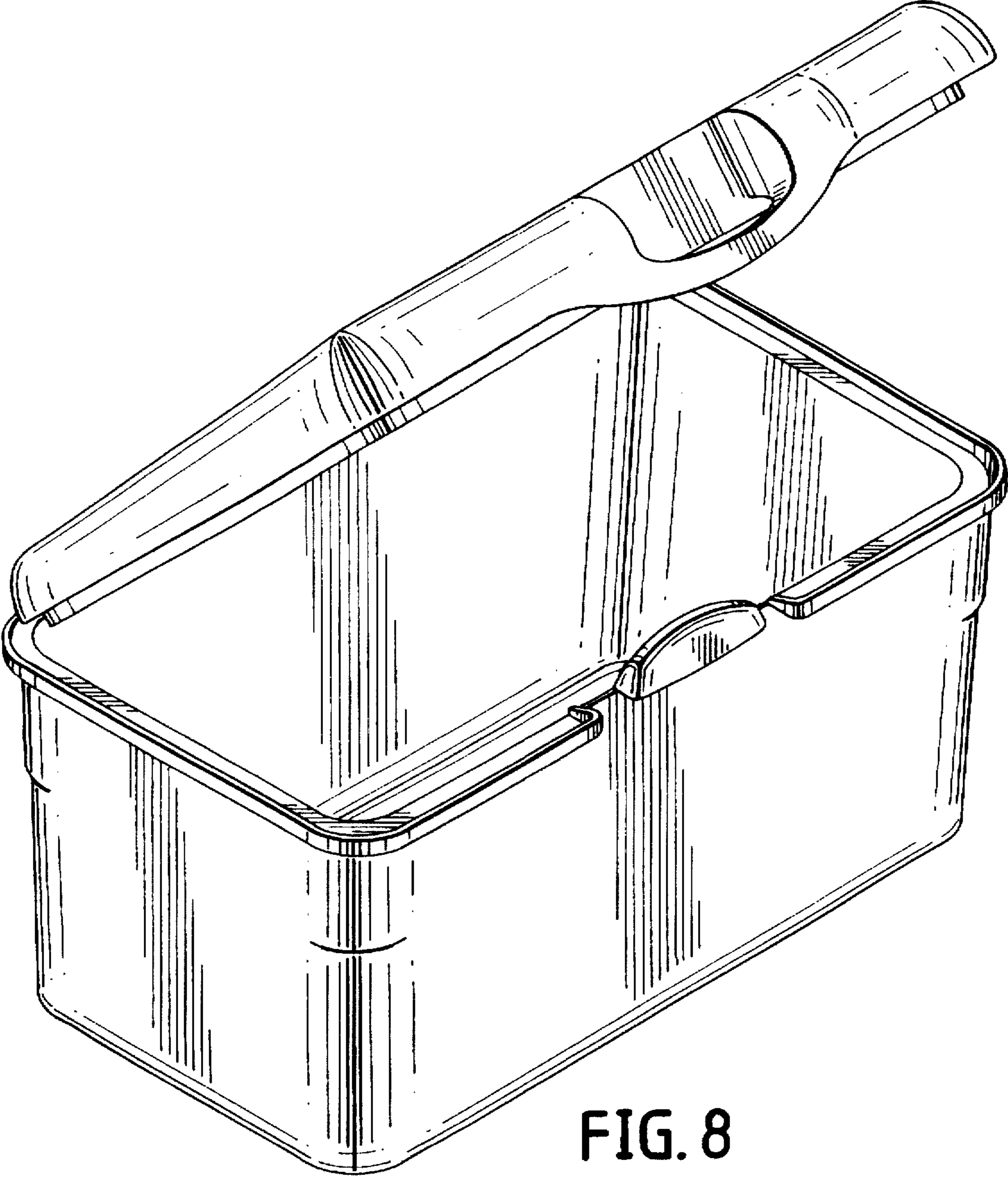


FIG. 8