



US00D395948S

**United States Patent** [19]  
**Funk**

[11] **Patent Number:** **Des. 395,948**  
[45] **Date of Patent:** **\*\*Jul. 14, 1998**

[54] **WIND INSTRUMENT TRANSPORTING PACK**

[76] **Inventor:** **JoAnn Funk, P.O. Box 25343, Woodbury, Minn. 55125-0343**

[\*\*] **Term:** **14 Years**

[21] **Appl. No.:** **37,108**

[22] **Filed:** **Apr. 4, 1995**

[51] **LOC (6) Cl.** ..... **03-01**

[52] **U.S. Cl.** ..... **D3/204**

[58] **Field of Search** ..... **D3/204-205, 299; 206/314; 224/910**

[56] **References Cited**

**U.S. PATENT DOCUMENTS**

D. 29,020	7/1898	Clauss	.....	D3/299
D. 323,063	1/1992	Smith	.....	D3/205
3,977,452	8/1976	Wright	.....	D3/299

*Primary Examiner*—Celia Murphy  
*Attorney, Agent, or Firm*—Patterson & Keough, P.A.

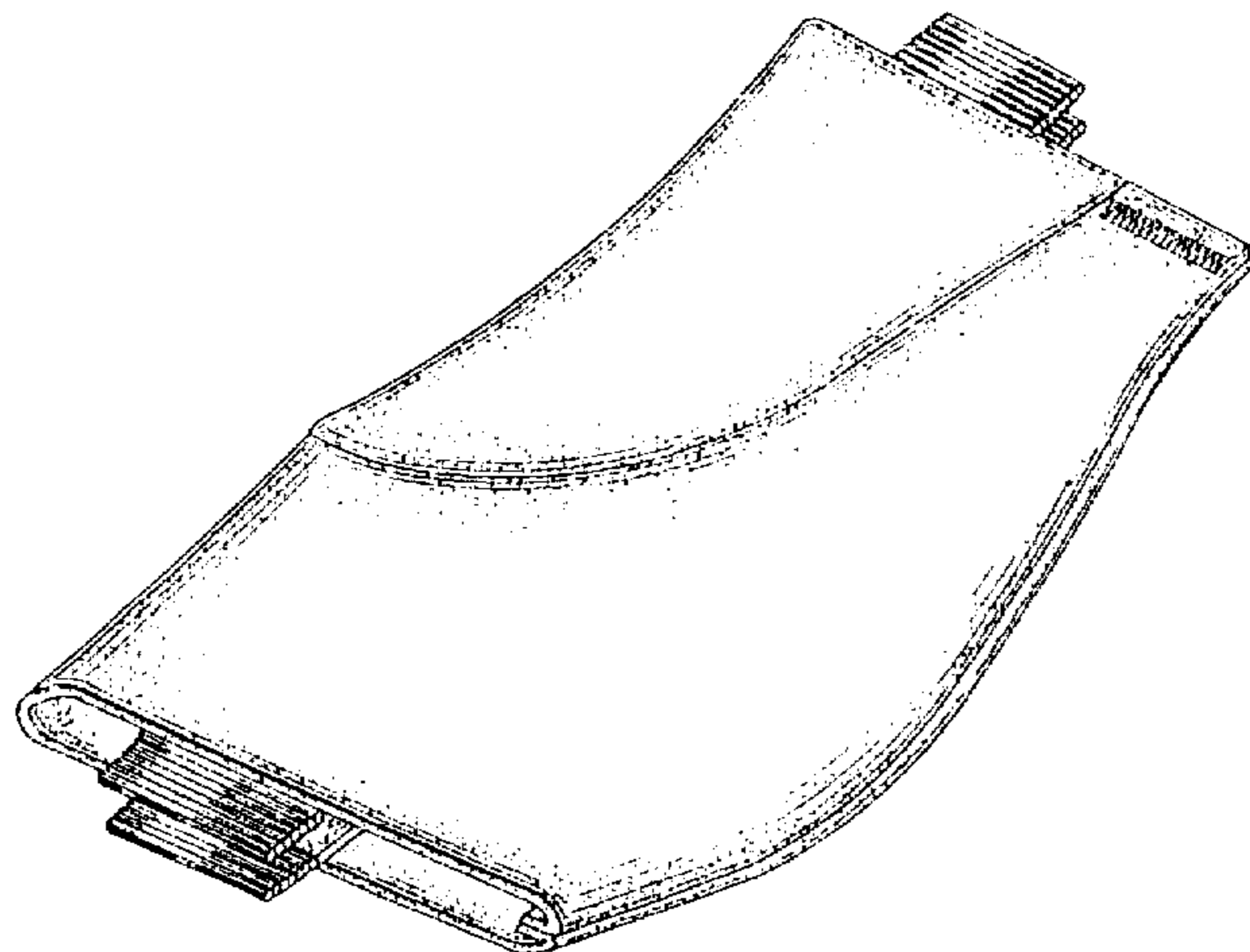
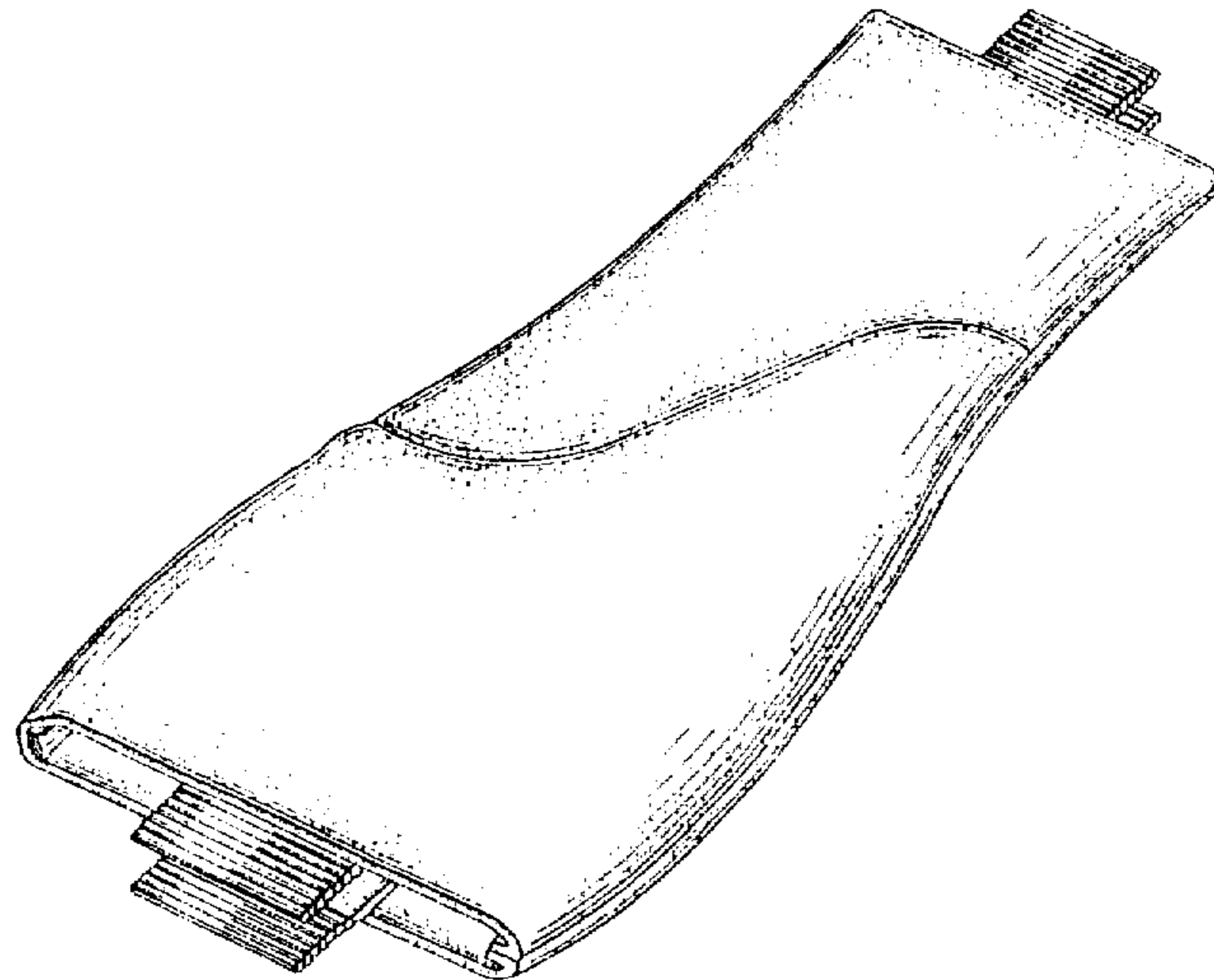
[57] **CLAIM**

The ornamental design for wind instrument transporting pack, as shown and described.

**DESCRIPTION**

FIG. 1 is a front perspective view of a wind instrument transporting pack showing my new design; FIG. 2 is a rear perspective view thereof; FIG. 3 is a top plan view thereof; FIG. 4 is a right side elevational view thereof; FIG. 5 is a rear elevational view thereof; FIG. 6 is a left side elevational view thereof; FIG. 7 is a bottom plan view thereof; FIG. 8 is a front perspective view of an alternate embodiment of the design shown in FIG. 1; FIG. 9 is a rear perspective view of FIG. 8; FIG. 10 is a top plan view of FIG. 8; FIG. 11 is a right side elevational view of FIG. 8; FIG. 12 is a rear elevational view of FIG. 8; FIG. 13 is a left side elevational view of FIG. 8; and FIG. 14 is a bottom plan view of FIG. 8.

**1 Claim, 4 Drawing Sheets**



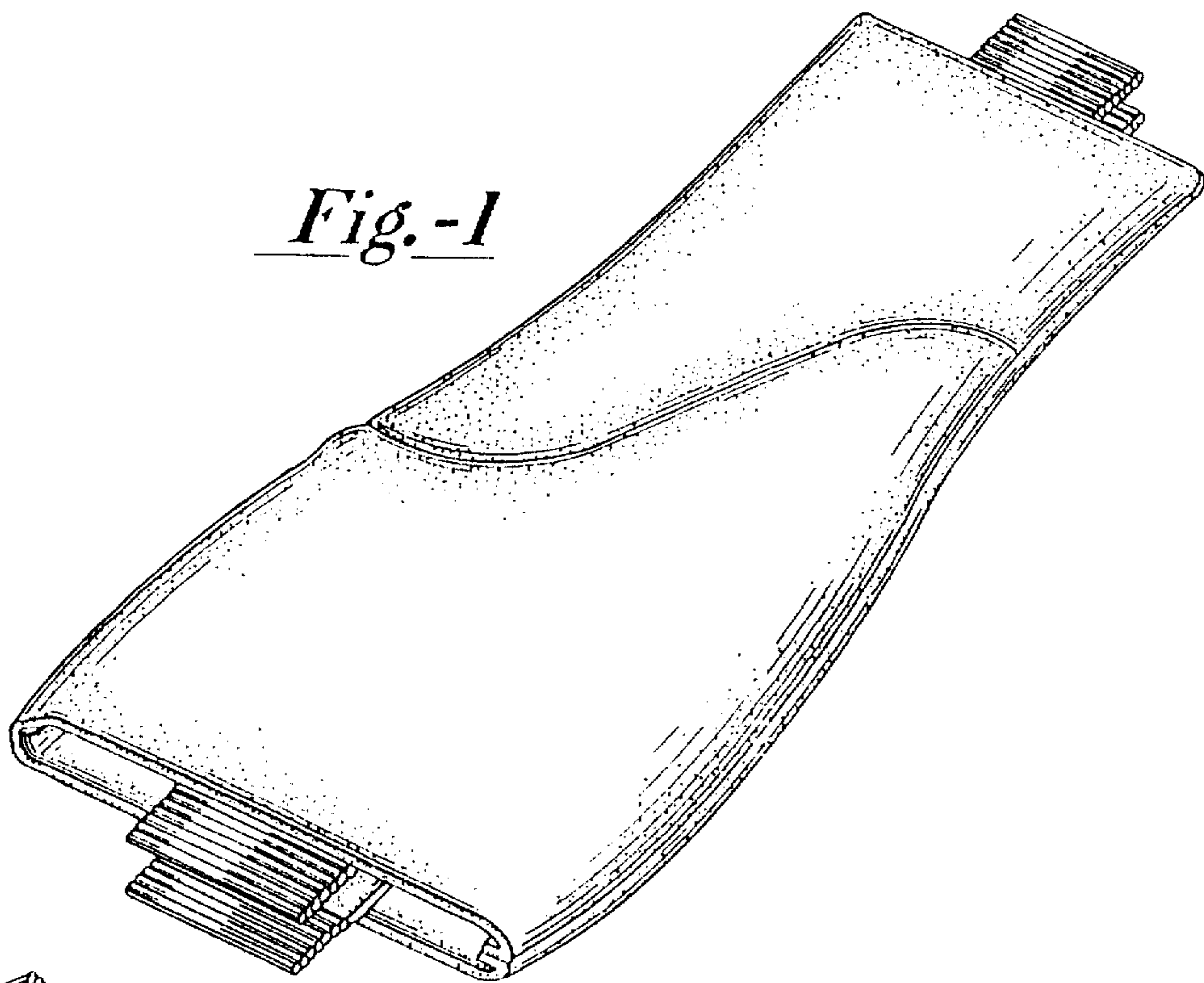


Fig.-1

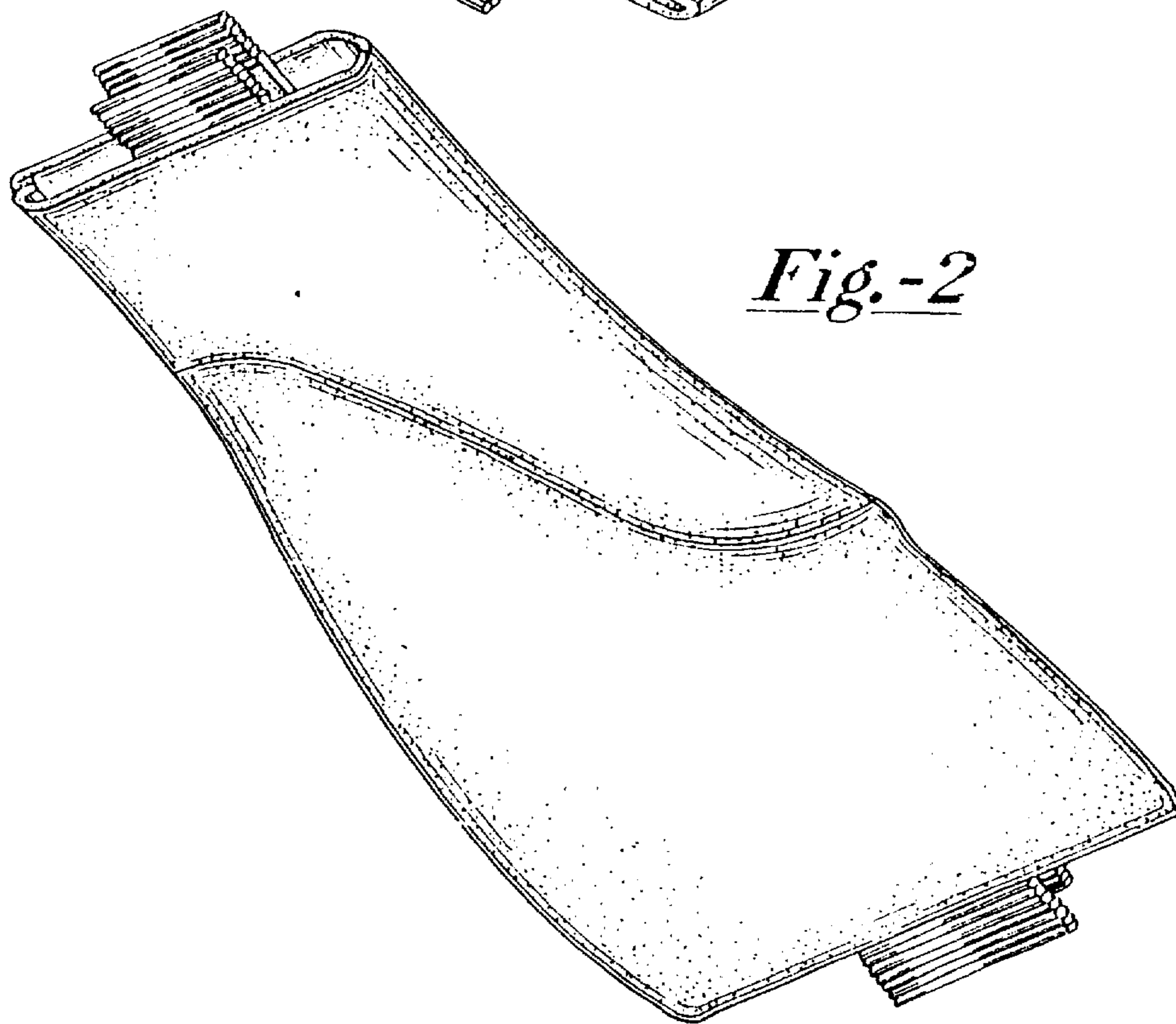


Fig.-2

Fig.-3

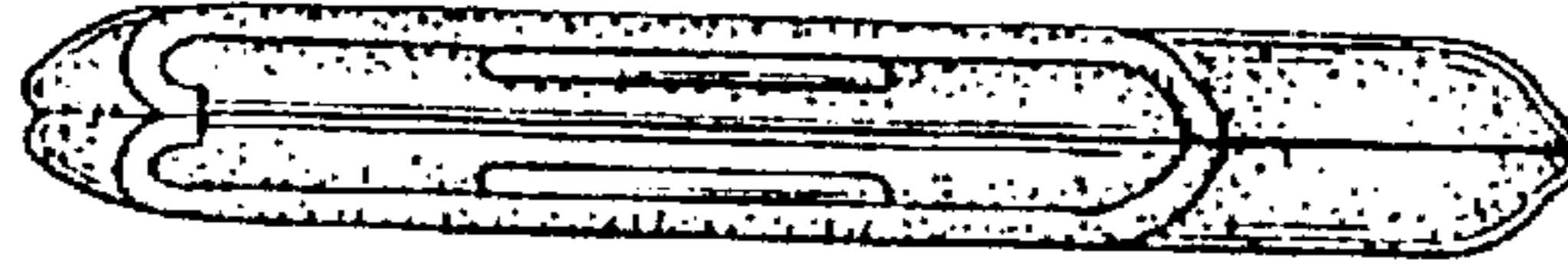


Fig.-4



Fig.-5

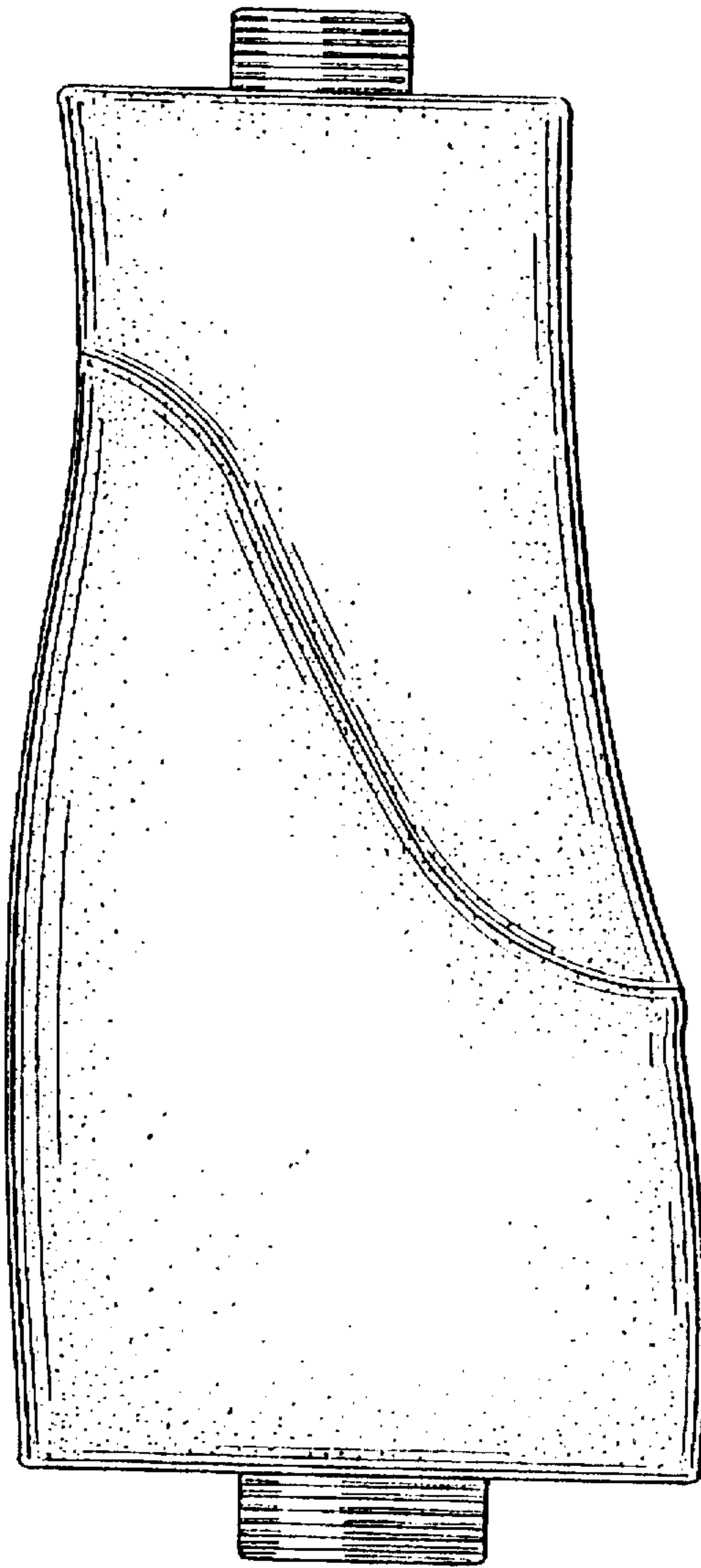


Fig.-6



Fig.-7

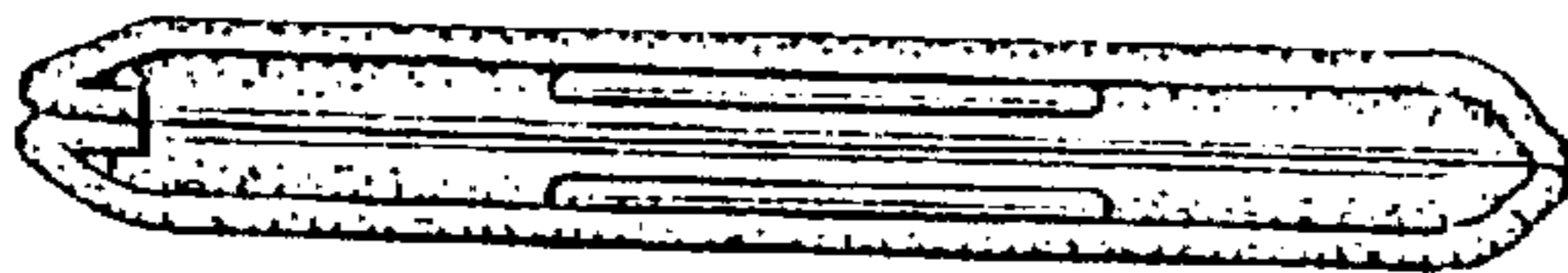




Fig.-8

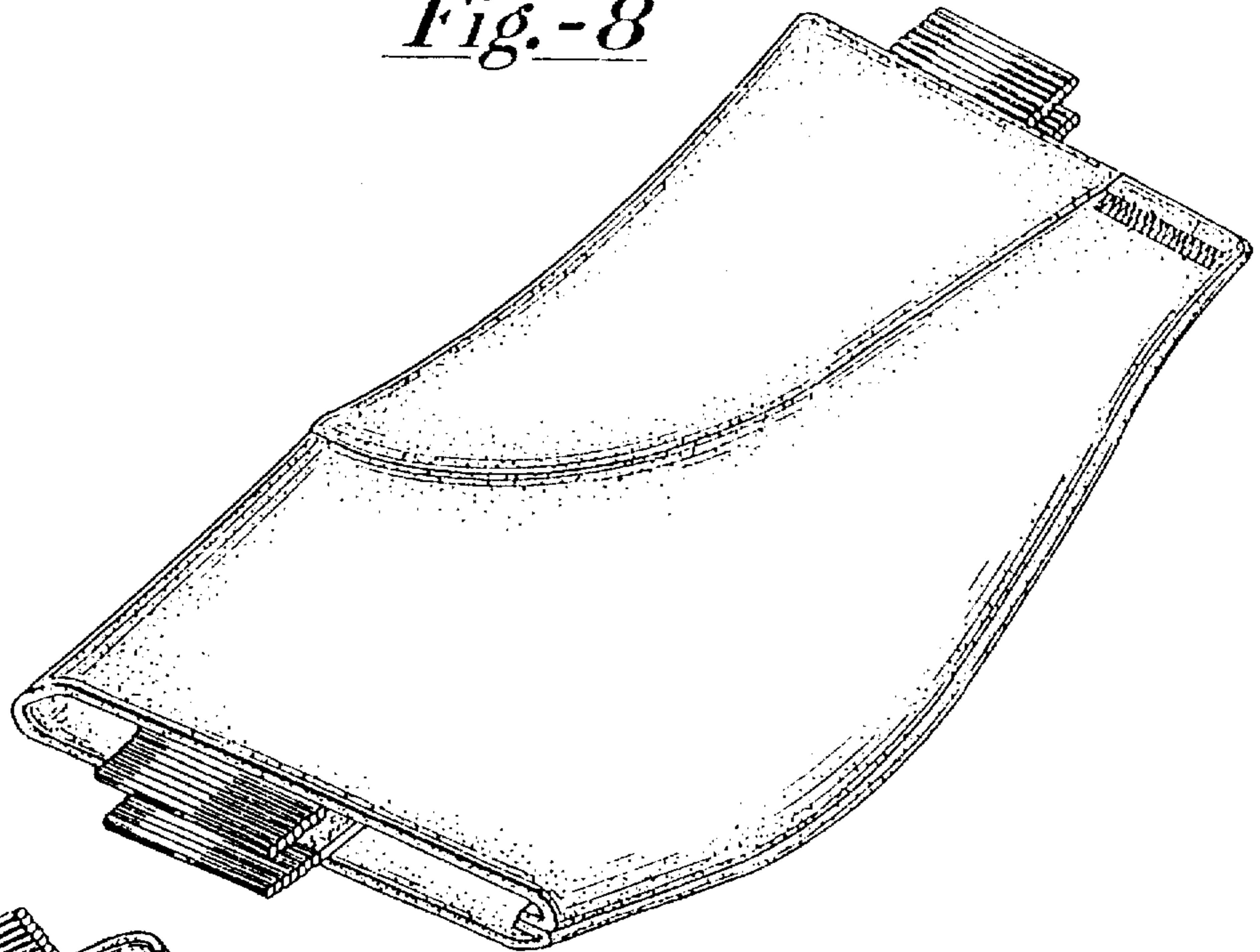


Fig.-9

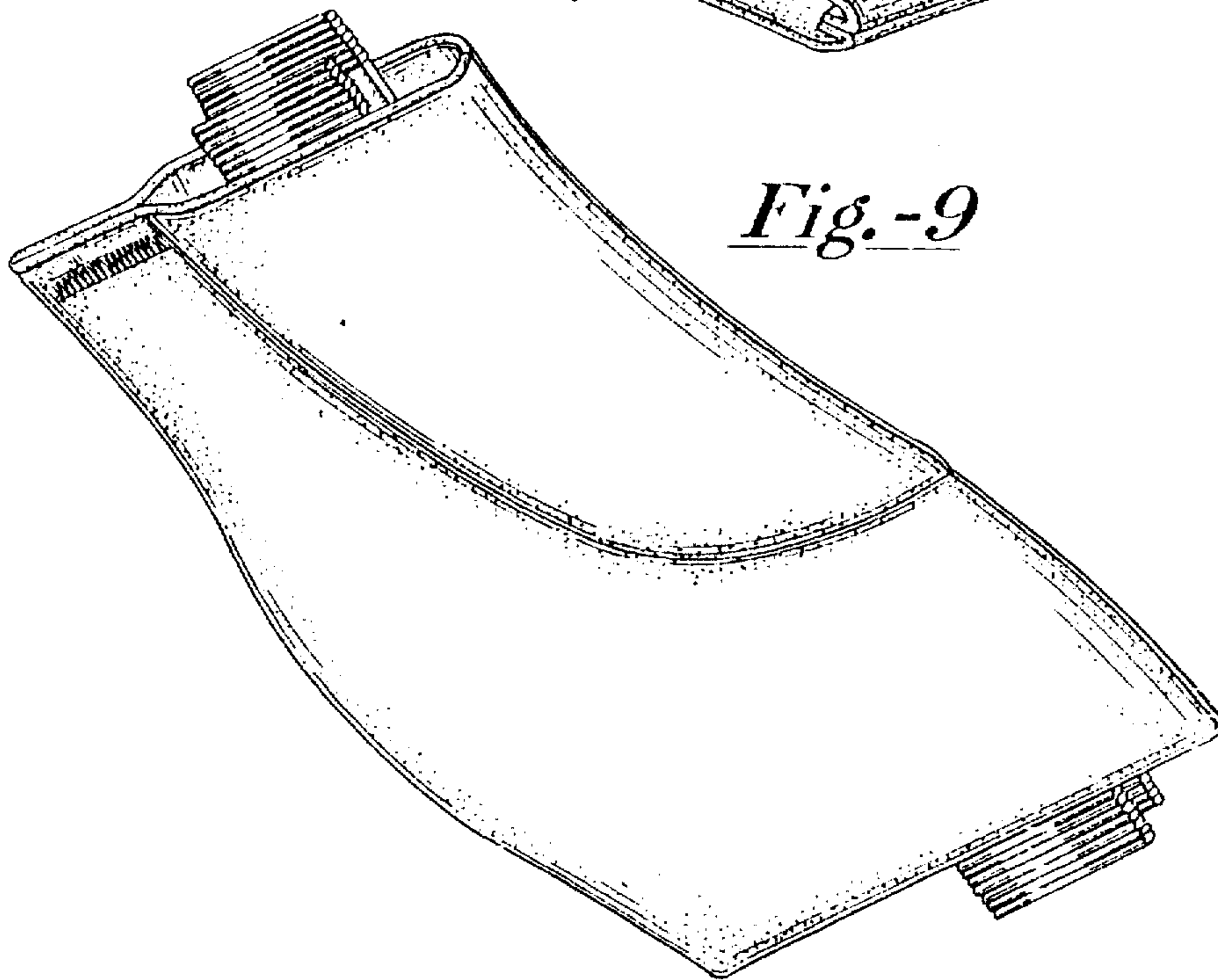


Fig.-10

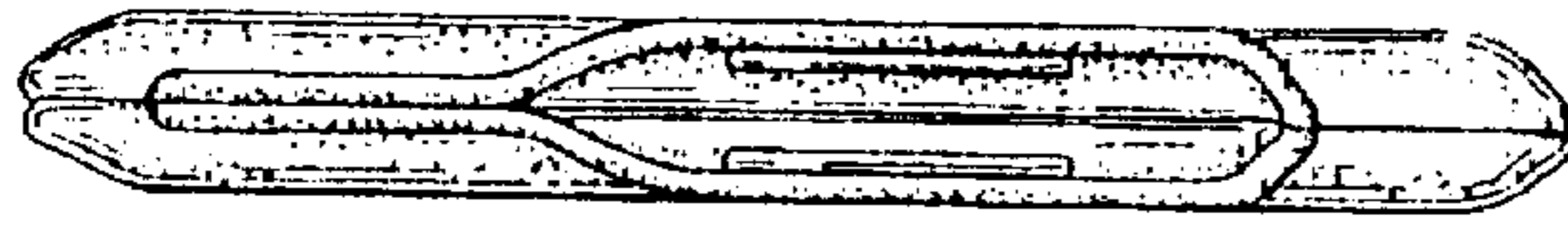


Fig.-11



Fig.-12

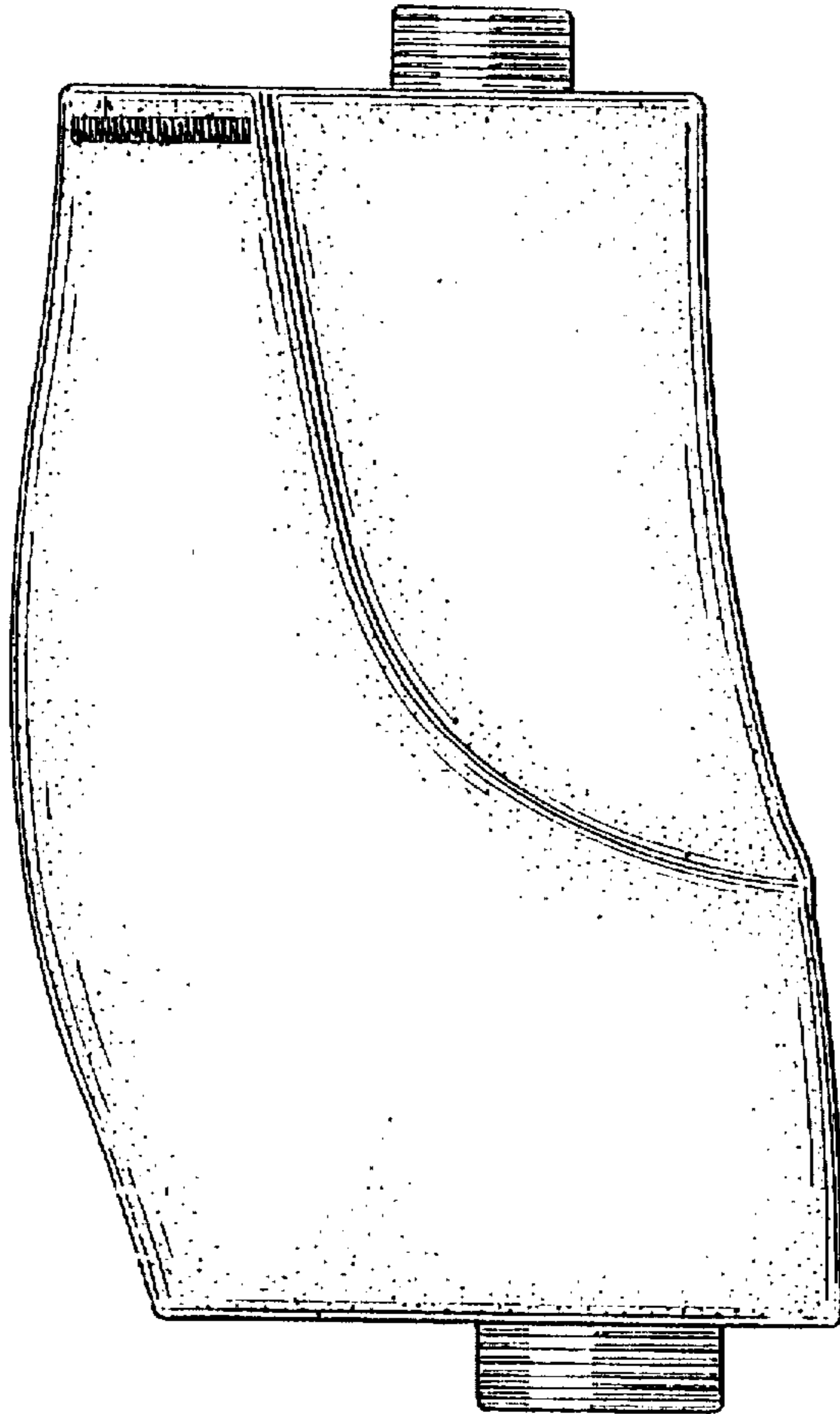


Fig.-13

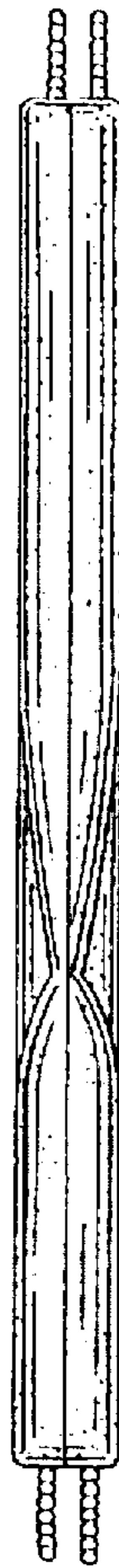


Fig.-14

