



US00D395937S

United States Patent [19]

Zada

[11] Patent Number: Des. 395,937

[45] Date of Patent: **Jul. 14, 1998

[54] PIZZA

[76] Inventor: **Simone H. Zada**, c/o Bottom Line Technologies Inc., 1 Yonge Street, Suite 1801, Toronto, Ontario, Canada, M5E 1W7

[**] Term: 14 Years

[21] Appl. No.: 32,691

[22] Filed: Dec. 23, 1994

[30] Foreign Application Priority Data

Jun. 30, 1994 [CA] Canada 1994-1244

[51] LOC (6) Cl. 01-01

[52] U.S. Cl. D1/122

[58] Field of Search D1/116, 117, 118, D1/122, 123, 124; 426/138, 139, 143, 512; D6/532; D7/500, 503

[56] References Cited

U.S. PATENT DOCUMENTS

D. 165,197 11/1951 Thomas D1/122

D. 251,396 3/1979 Hutchinson D1/122
2,156,145 4/1939 Cavett et al. D1/124 X

OTHER PUBLICATIONS

The Glass of Frederick Carder, Sep. 14, 1983, p. 325
Element 1723 bowl.

Primary Examiner—Pamela J. Burgess

[57] CLAIM

The ornamental design for a pizza, as shown and described.

DESCRIPTION

FIG. 1 is a bottom plan view of a pizza showing my new design;

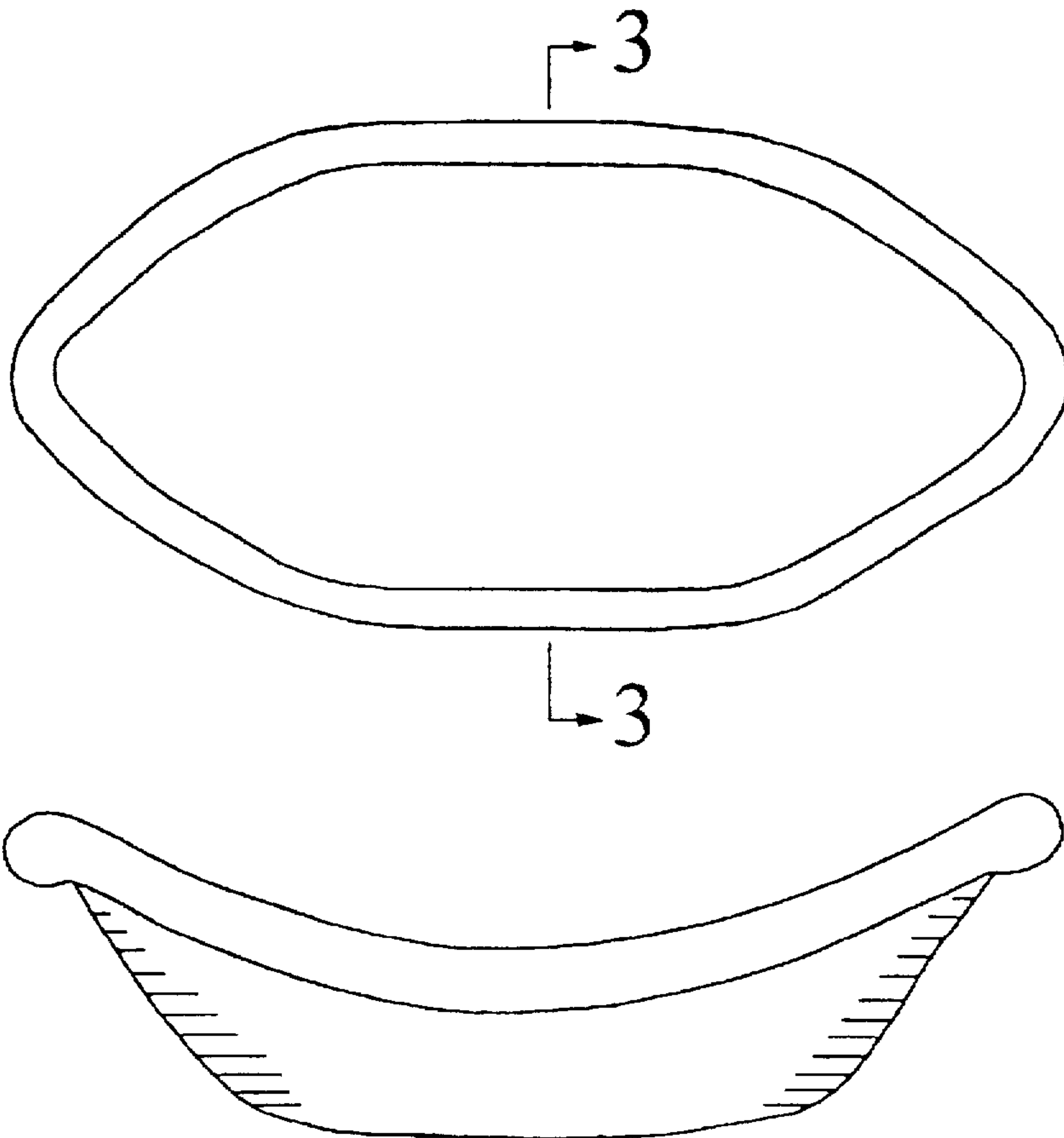
FIG. 2 is a top plan view thereof;

FIG. 3 is a cross-sectional view thereof, taken along line 3—3 of FIG. 2; and,

FIG. 4 is a front elevational view thereof, the undisclosed rear being a mirror image.

It is understood that the undisclosed side elevational views are smooth and unornamented.

1 Claim, 1 Drawing Sheet



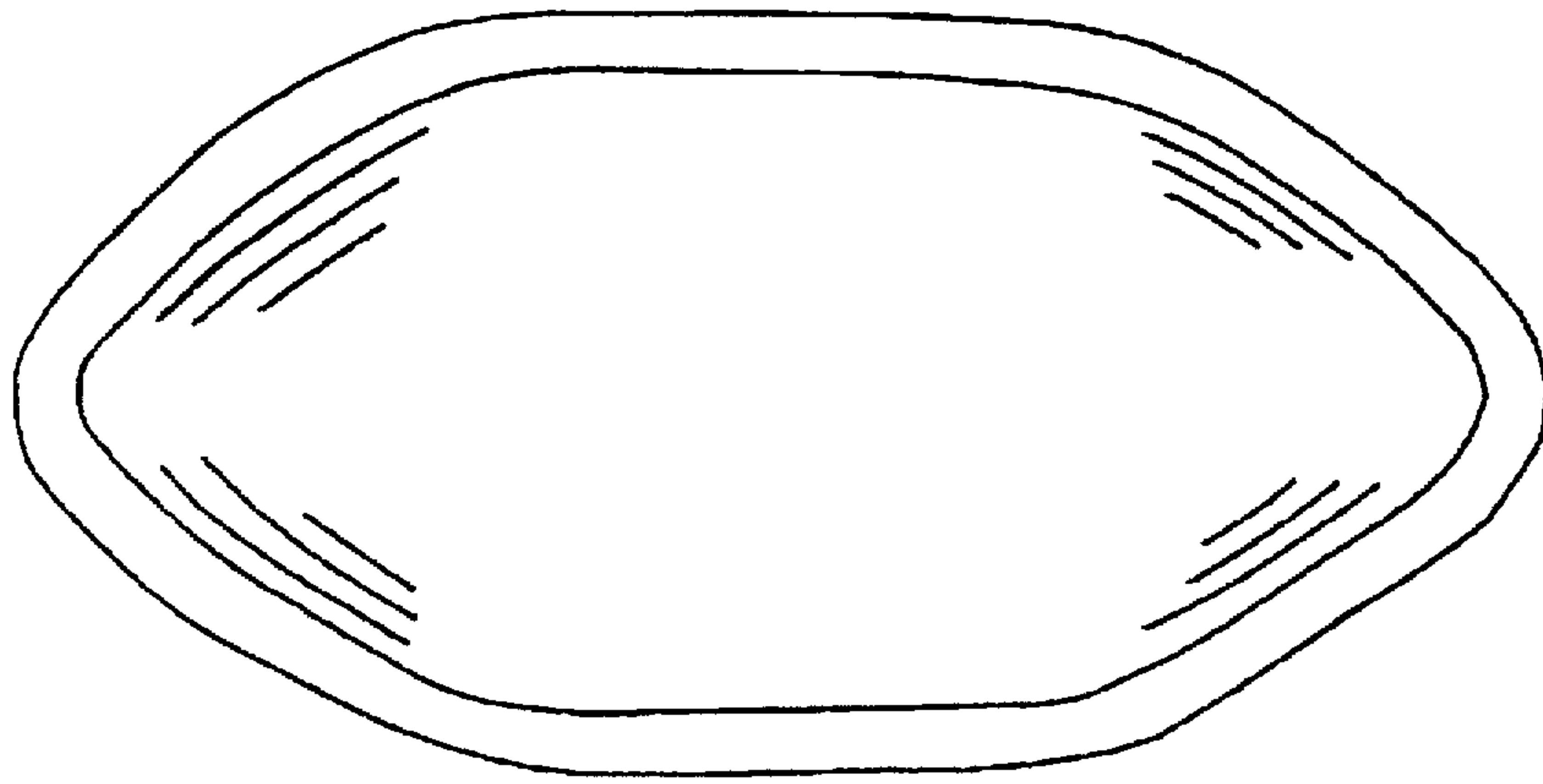


Fig. 1

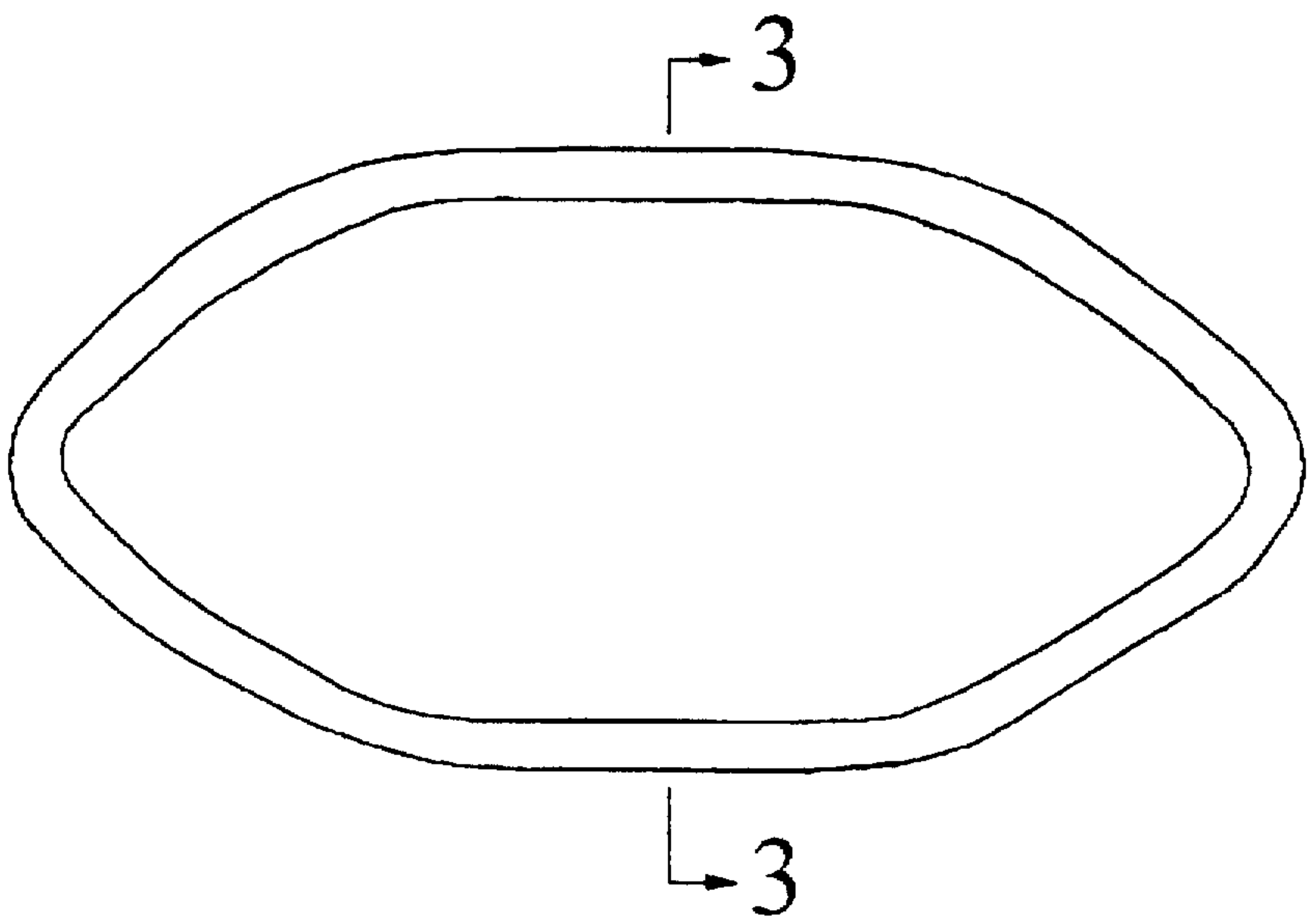


Fig. 2

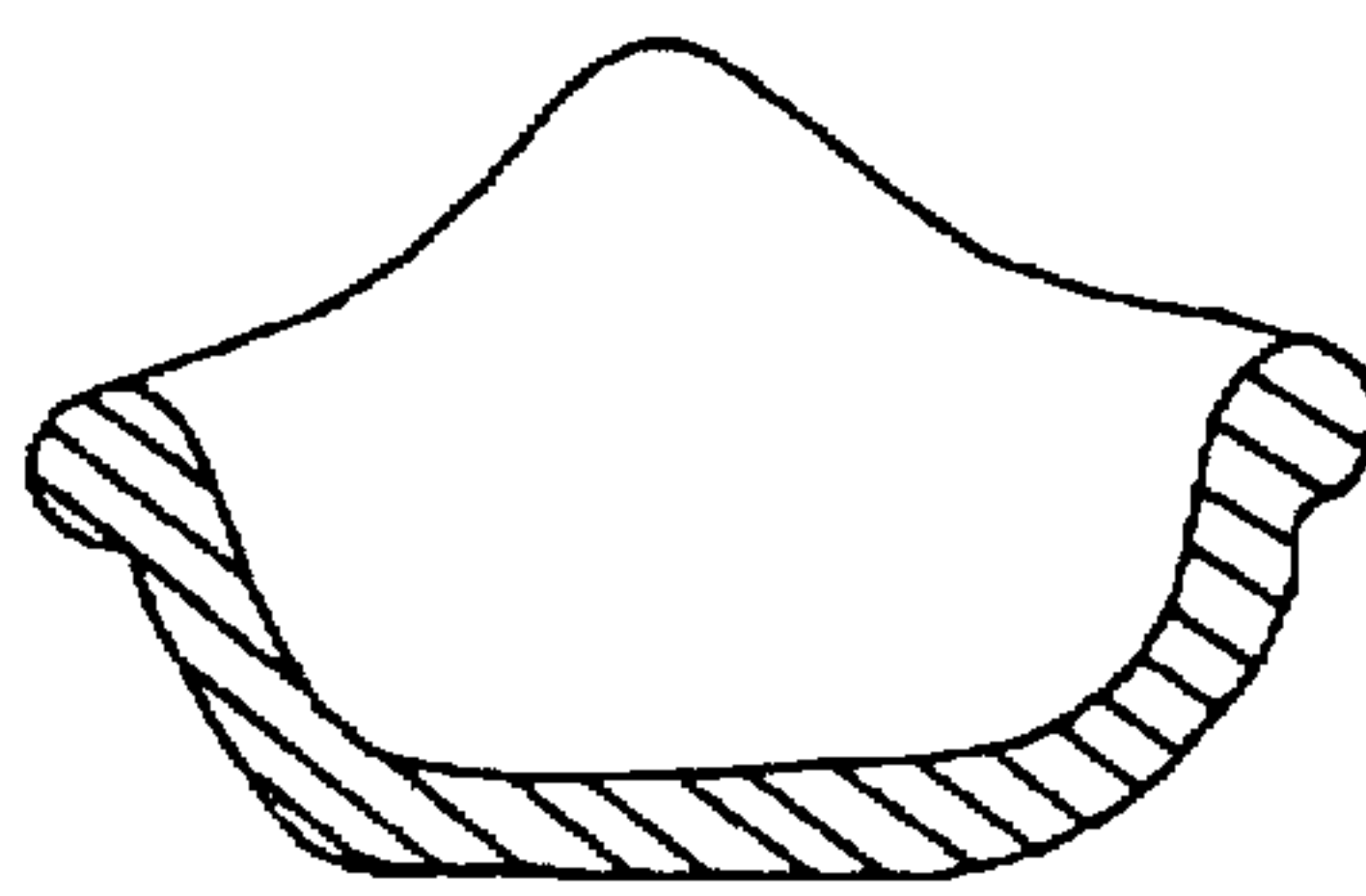


Fig. 3

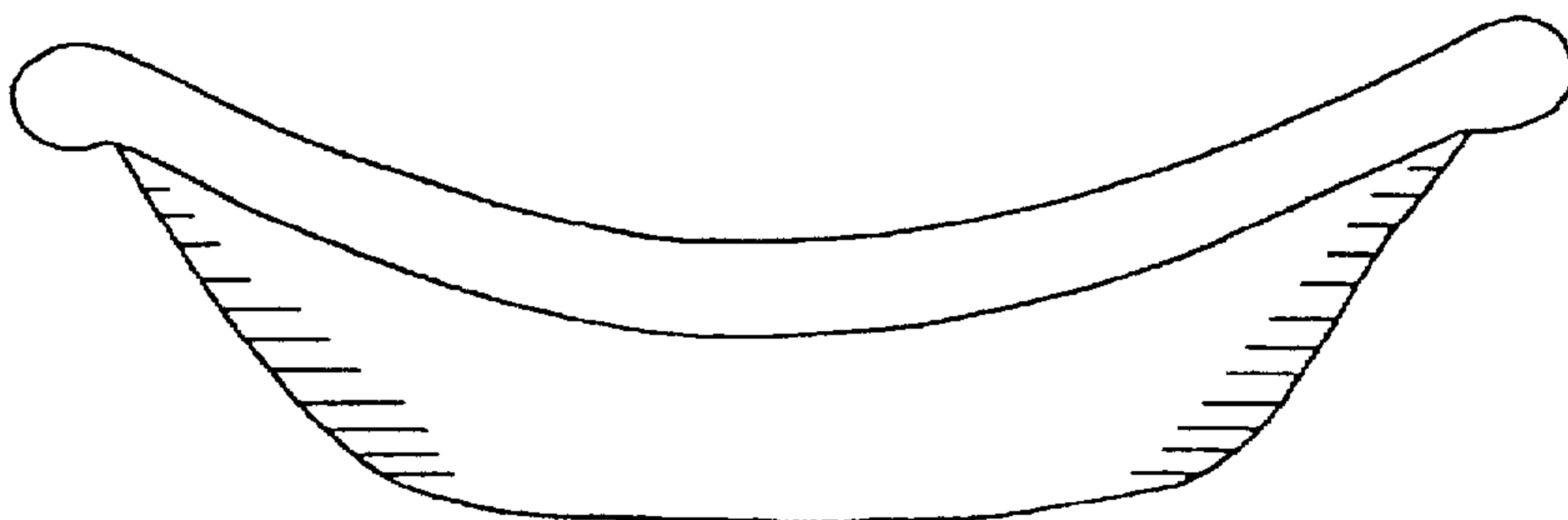


Fig. 4