



US00D395936S

# United States Patent [19]

Zada

[11] Patent Number: Des. 395,936

[45] Date of Patent: \*\*Jul. 14, 1998

[54] ICE CREAM CONE

[76] Inventor: **Simone H. Zada**, c/o Bottom Line Technologies, Inc., 1 Yonge Street, Suite 1801, Toronto, Ontario, Canada, M5E 1W7

[\*\*] Term: 14 Years

[21] Appl. No.: 32,084

[22] Filed: Dec. 2, 1994

[30] Foreign Application Priority Data

Jun. 20, 1994 [CA] Canada ..... 1994-1191

[51] LOC (6) Cl. .... 01-01

[52] U.S. Cl. .... D1/118

[58] Field of Search ..... D1/101, 116, 118, D1/117, 122, 124; 426/143, 139, 132, 101, 94, 95, 514

[56] References Cited

U.S. PATENT DOCUMENTS

D. 153,354 4/1949 Heyman ..... D1/118

2,501,939	3/1950	Heyman	.....	426/139
4,104,405	8/1978	Forkner	.....	426/104 X
4,226,355	10/1980	Helfrich, Jr.	.....	426/95 X
4,720,037	1/1988	Alpert	.....	426/101 X

Primary Examiner—Pamela J. Burgess

[57] CLAIM

The ornamental design for a ice cream cone, as shown and described.

DESCRIPTION

FIG. 1 is a top plan view of an ice cream cone showing my new design;

FIG. 2 is a cross-sectional view thereof, taken along line 2—2 of FIG. 1;

FIG. 3 is a bottom plan view thereof; and,

FIG. 4 is a front elevational view thereof, it being understood that the sides and rear elevational views are the same as the front.

1 Claim, 1 Drawing Sheet

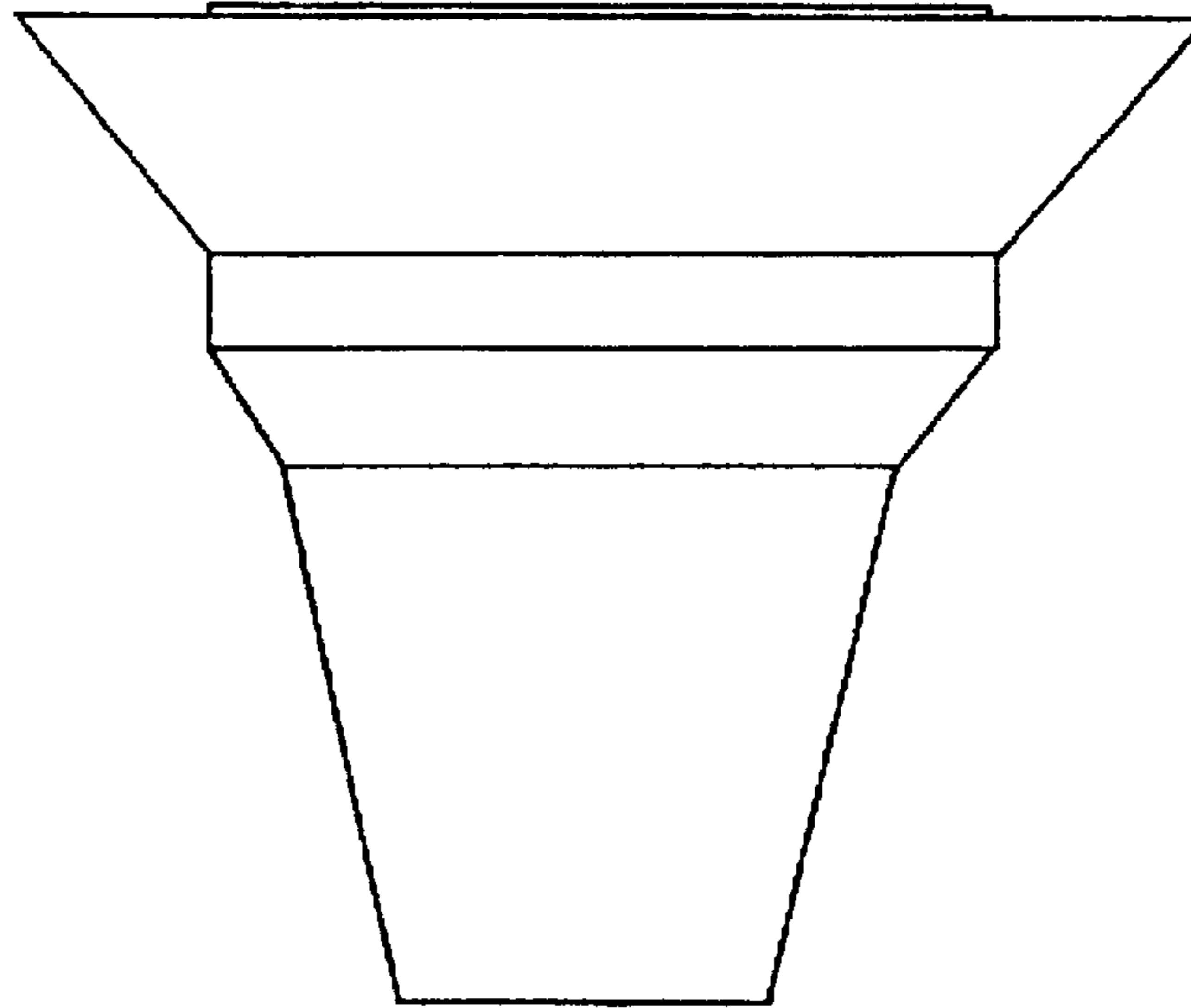


Fig. 1

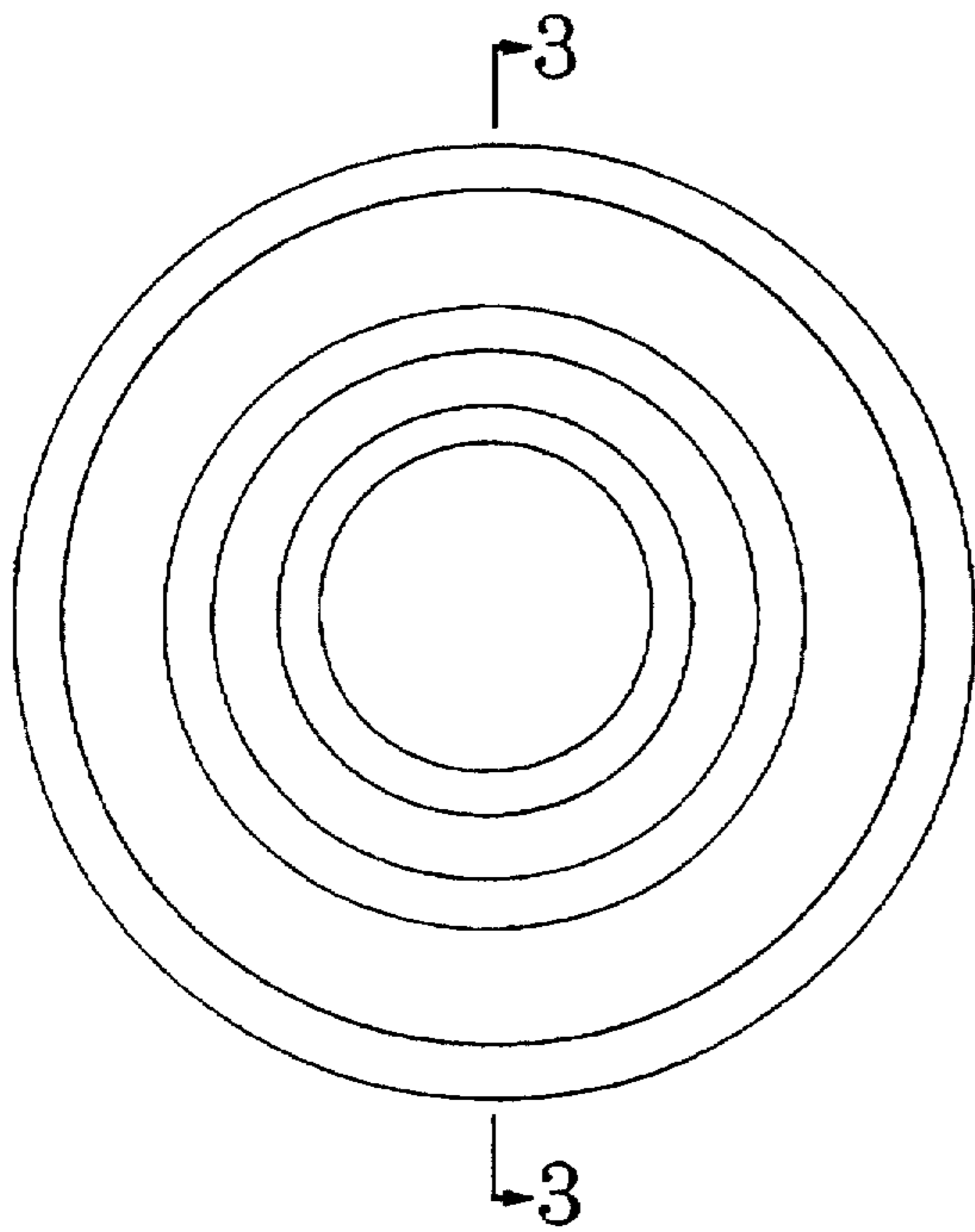


Fig. 2

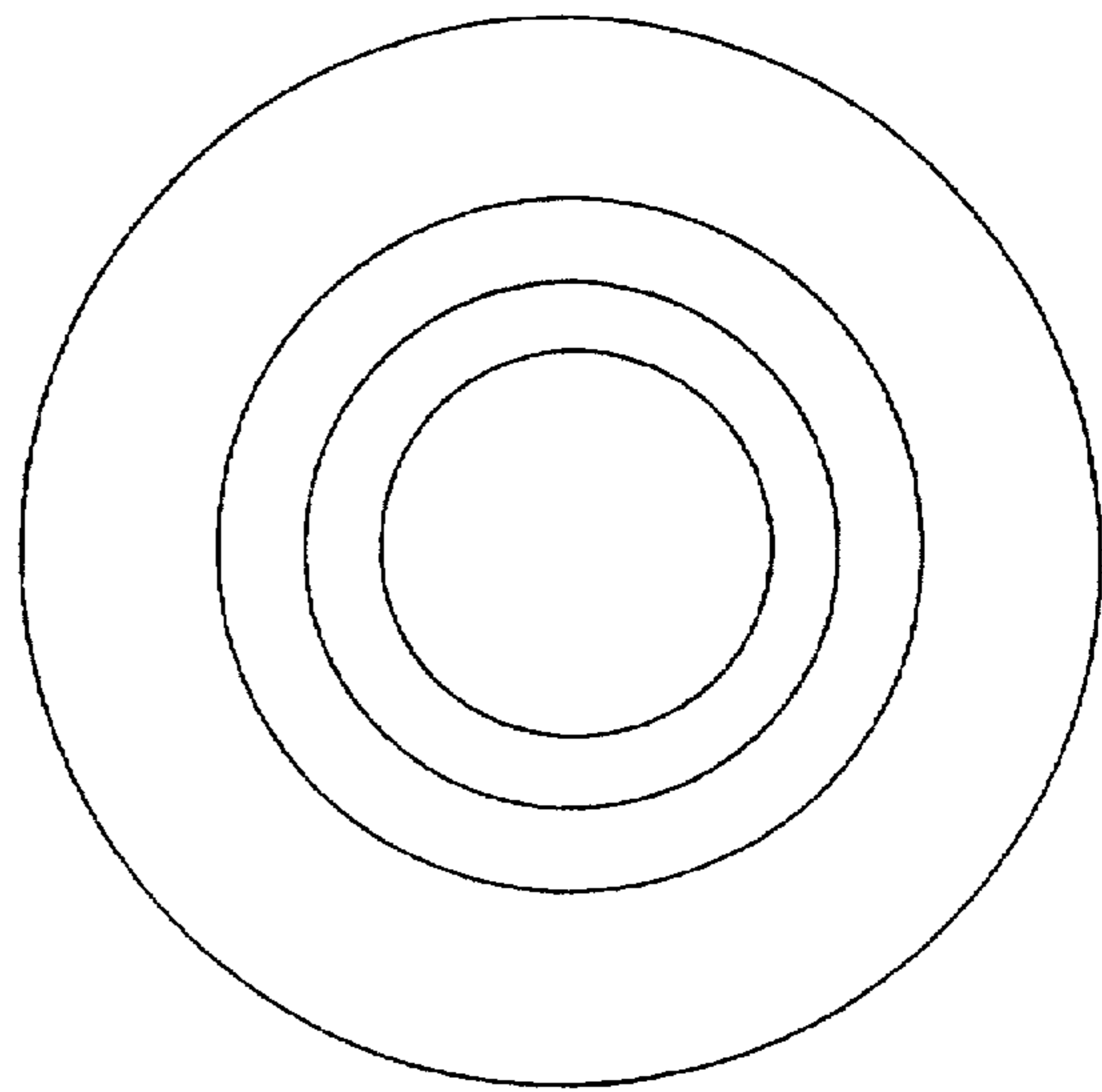


Fig. 3

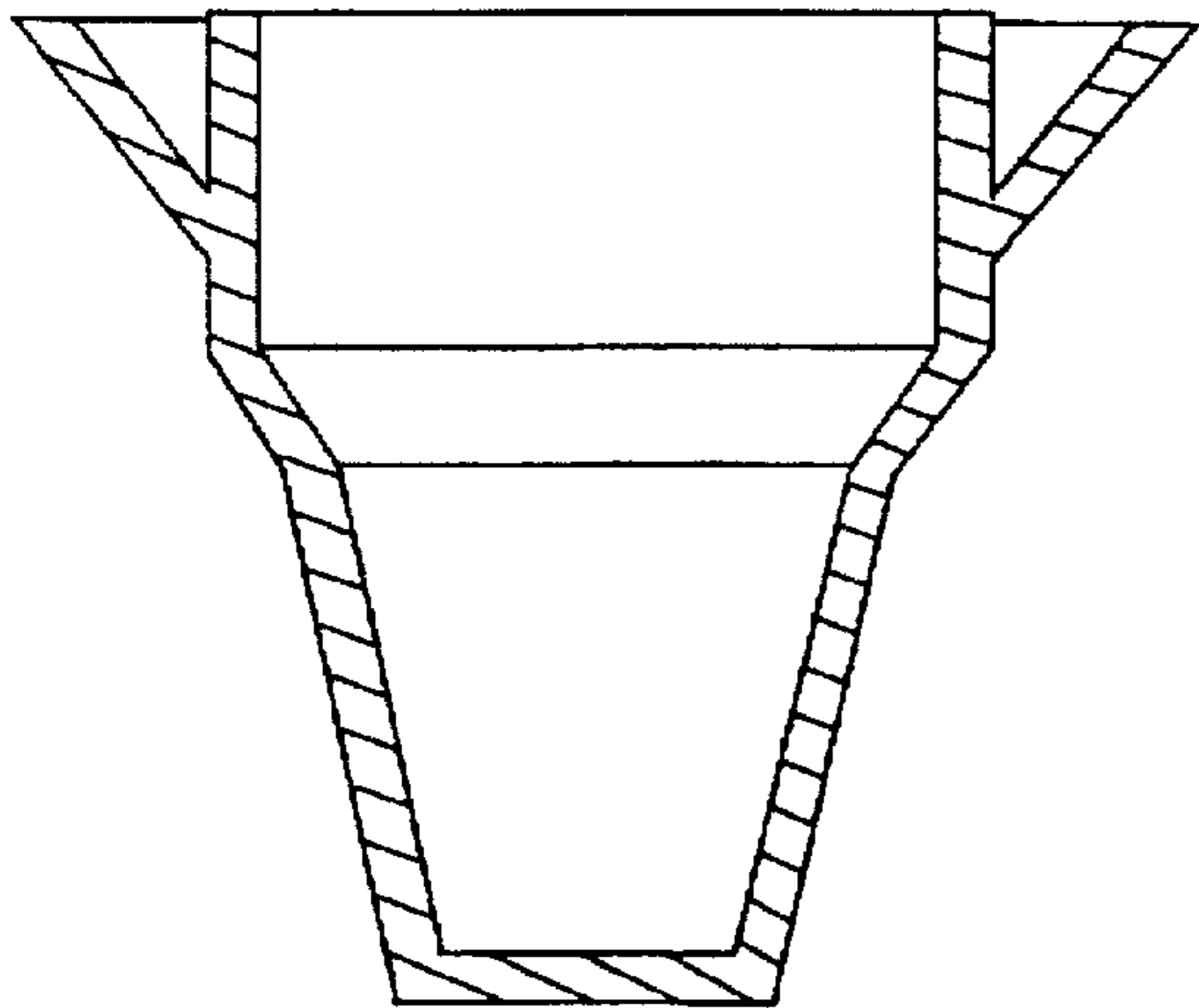


Fig. 4

