



US00D395934S

United States Patent [19] Lamppa

[11] Patent Number: Des. 395,934
[45] Date of Patent: **Jul. 7, 1998

[54] PORTABLE SAUNA

[76] Inventor: Clark Lamppa, 409 Dakota Ave. W.,
Gilbert, Minn. 55741

[**] Term: 14 Years

[21] Appl. No.: 50,437

[22] Filed: Feb. 20, 1996

[51] LOC (6) Cl. 23-03

[52] U.S. Cl. D23/315

[58] Field of Search D23/315; 4/524,
4/532; 607/83

[56] References Cited

U.S. PATENT DOCUMENTS

60,883	1/1867	Hadfield	4/532 X
D. 198,068	4/1964	Mathis	D23/315
2,243,550	5/1941	Carl	4/532
2,780,226	2/1957	Taves	607/83

Primary Examiner—Holly Baynham

Attorney, Agent, or Firm—Harold H. Dutton, Jr.

[57] CLAIM

The ornamental design for a portable sauna, as shown, and described.

DESCRIPTION

FIG. 1 is a perspective view of a portable sauna showing my new design;

FIG. 2 is a front elevational view with the flaps opened;

FIG. 3 is a perspective view of the heater portion thereof;

FIG. 4 is a front view of the tent portion thereof;

FIG. 5 is a rear view thereof;

FIG. 6 is a right side thereof;

FIG. 7 is a left side thereof;

FIG. 8 is a top view thereof;

FIG. 9 is a bottom view thereof;

FIG. 10 is a front view of the heater portion thereof;

FIG. 11 is a rear view thereof;

FIG. 12 is a right side view thereof;

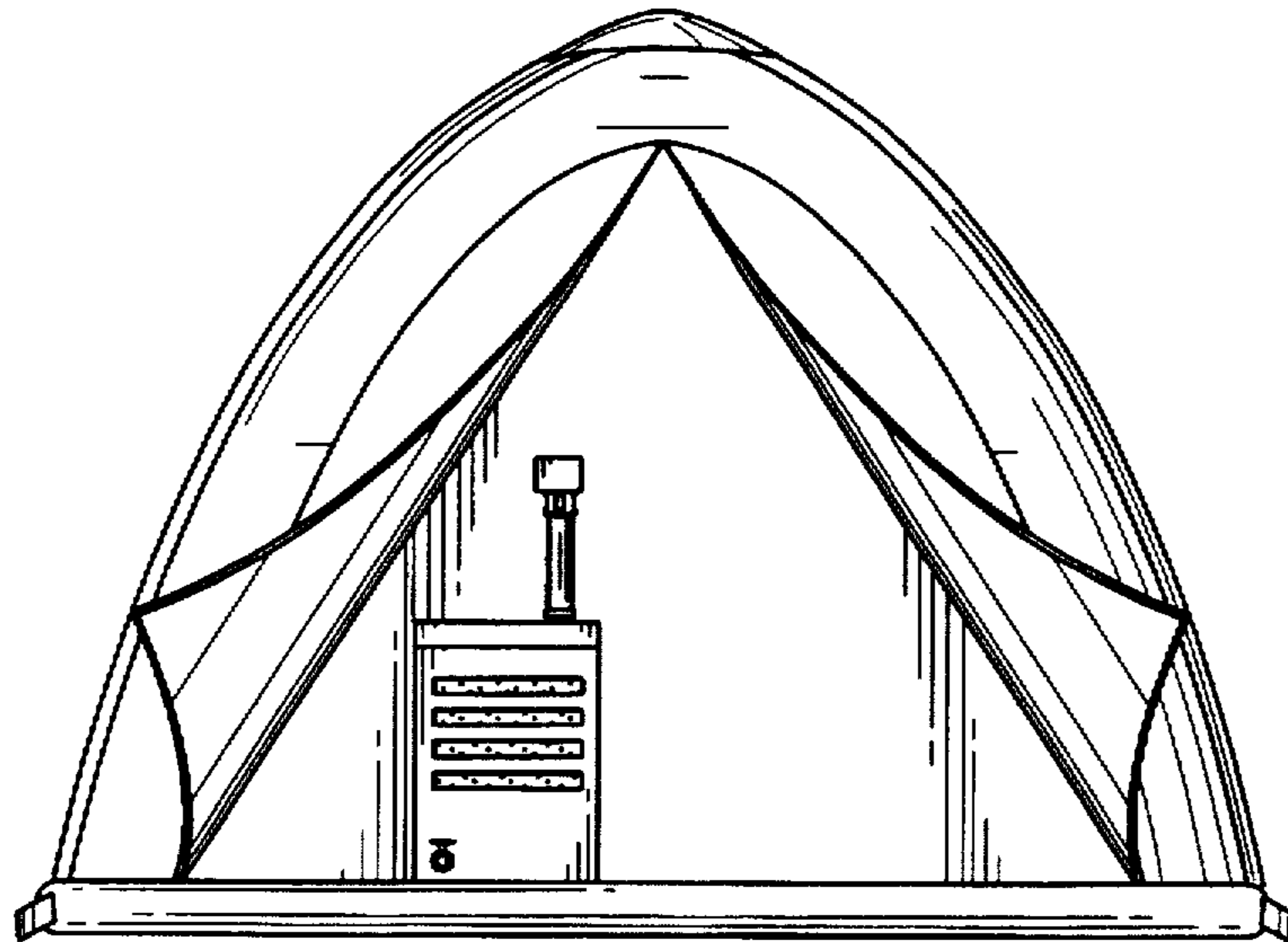
FIG. 13 is a left side view thereof;

FIG. 14 is a top view thereof; and,

FIG. 15 is a bottom view thereof.

The heater is shown detached from the sauna housing for clarity of illustration.

1 Claim, 10 Drawing Sheets



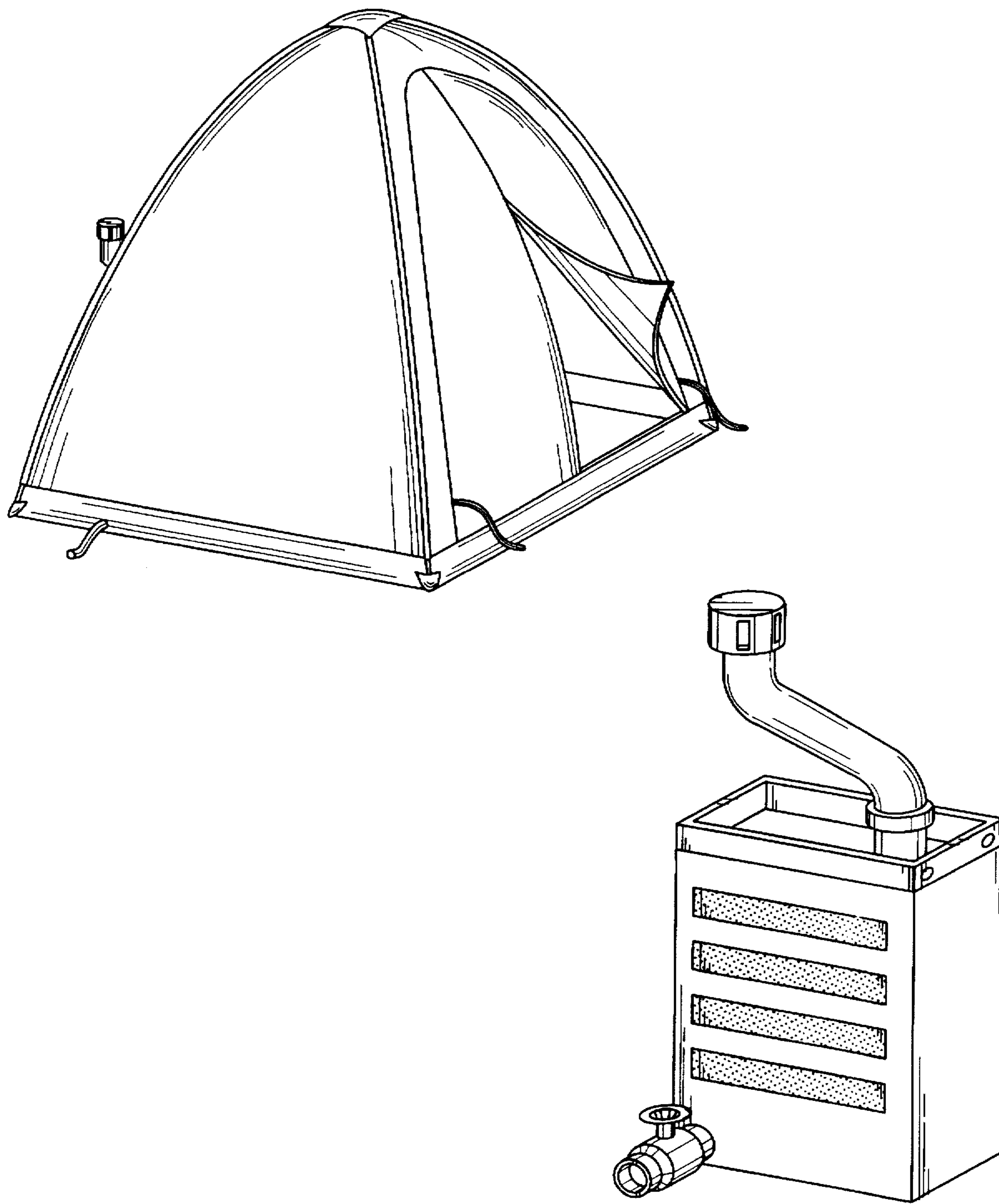


FIG. 1

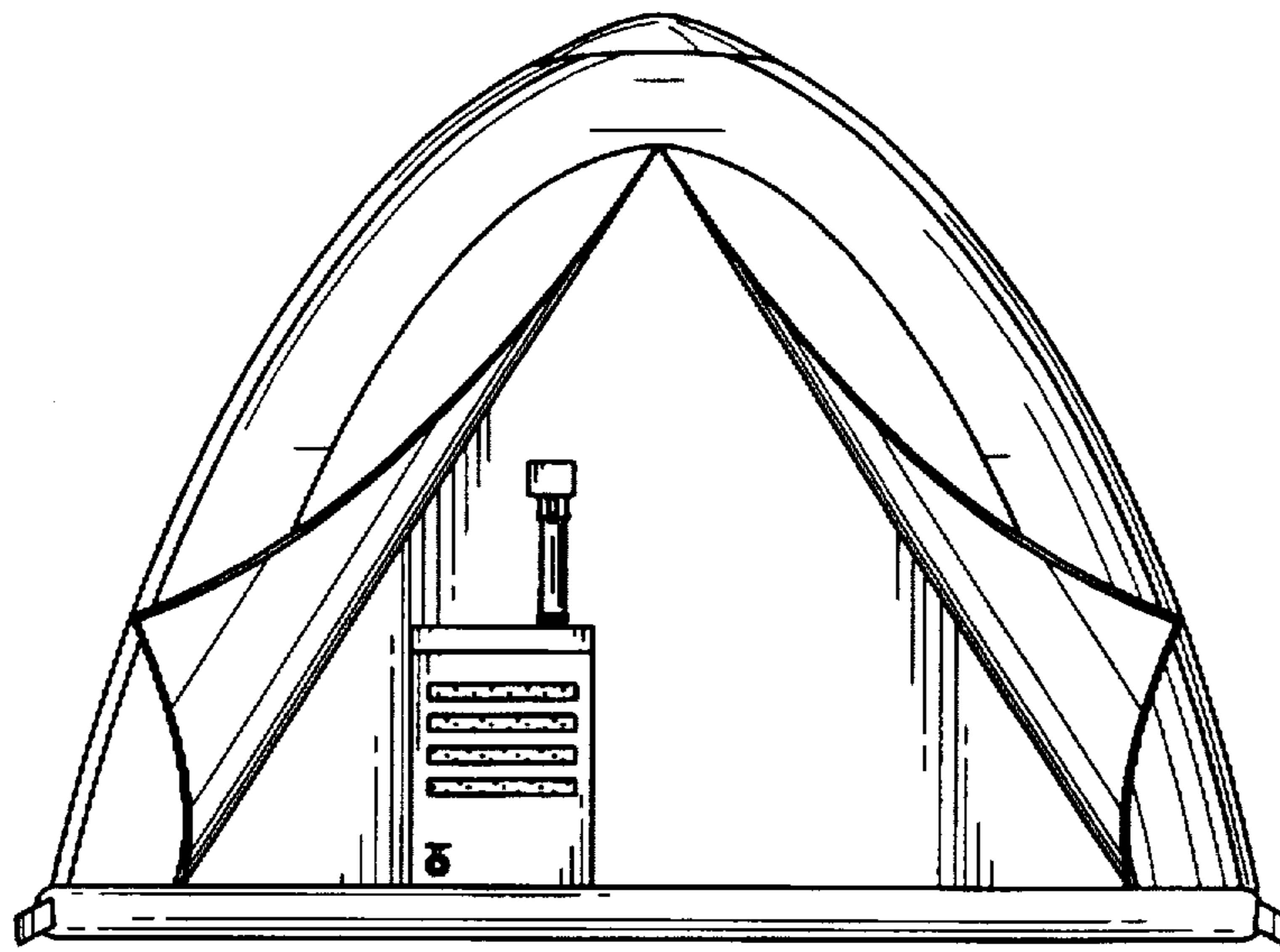


FIG. 2

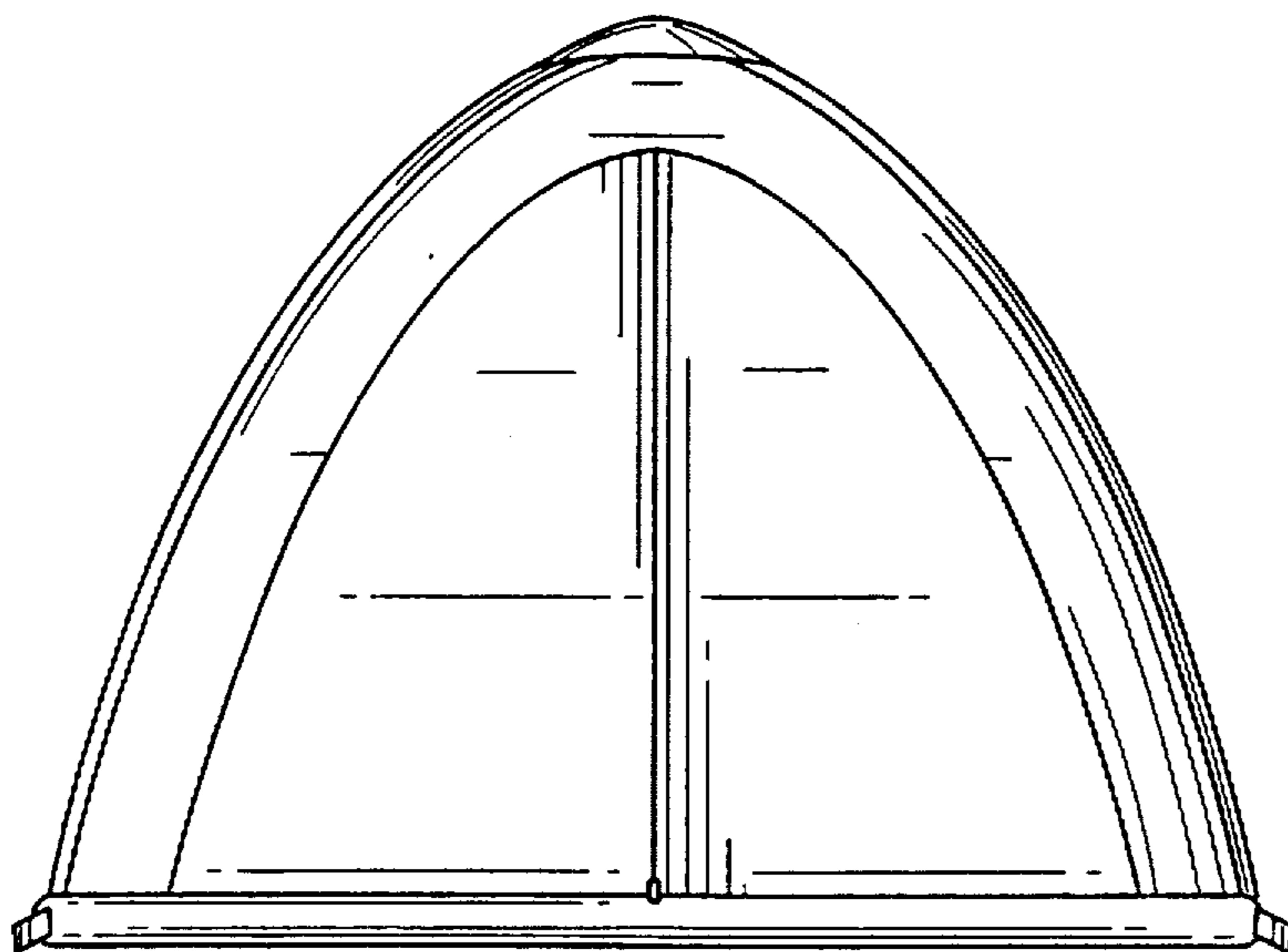


FIG. 3

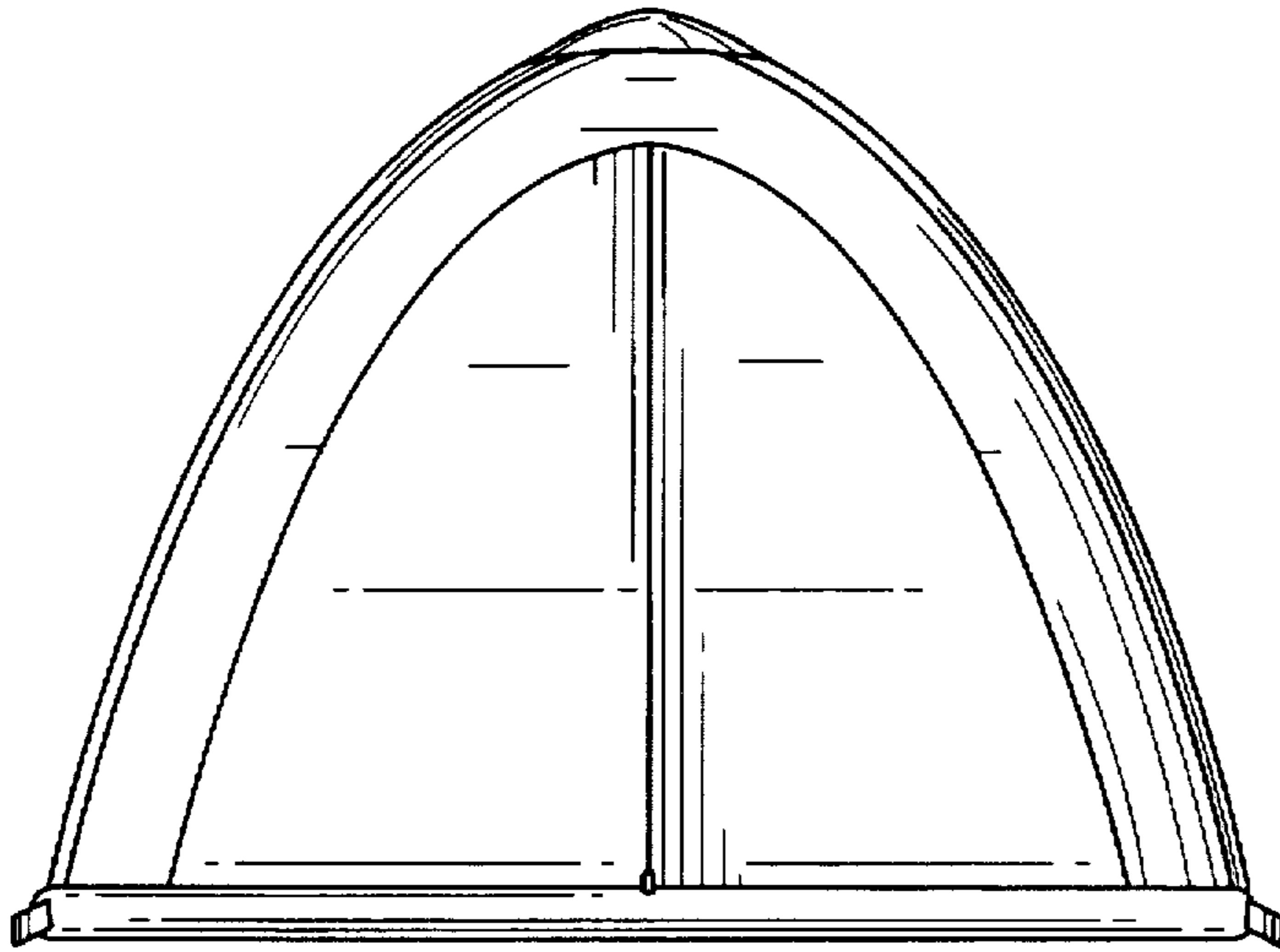
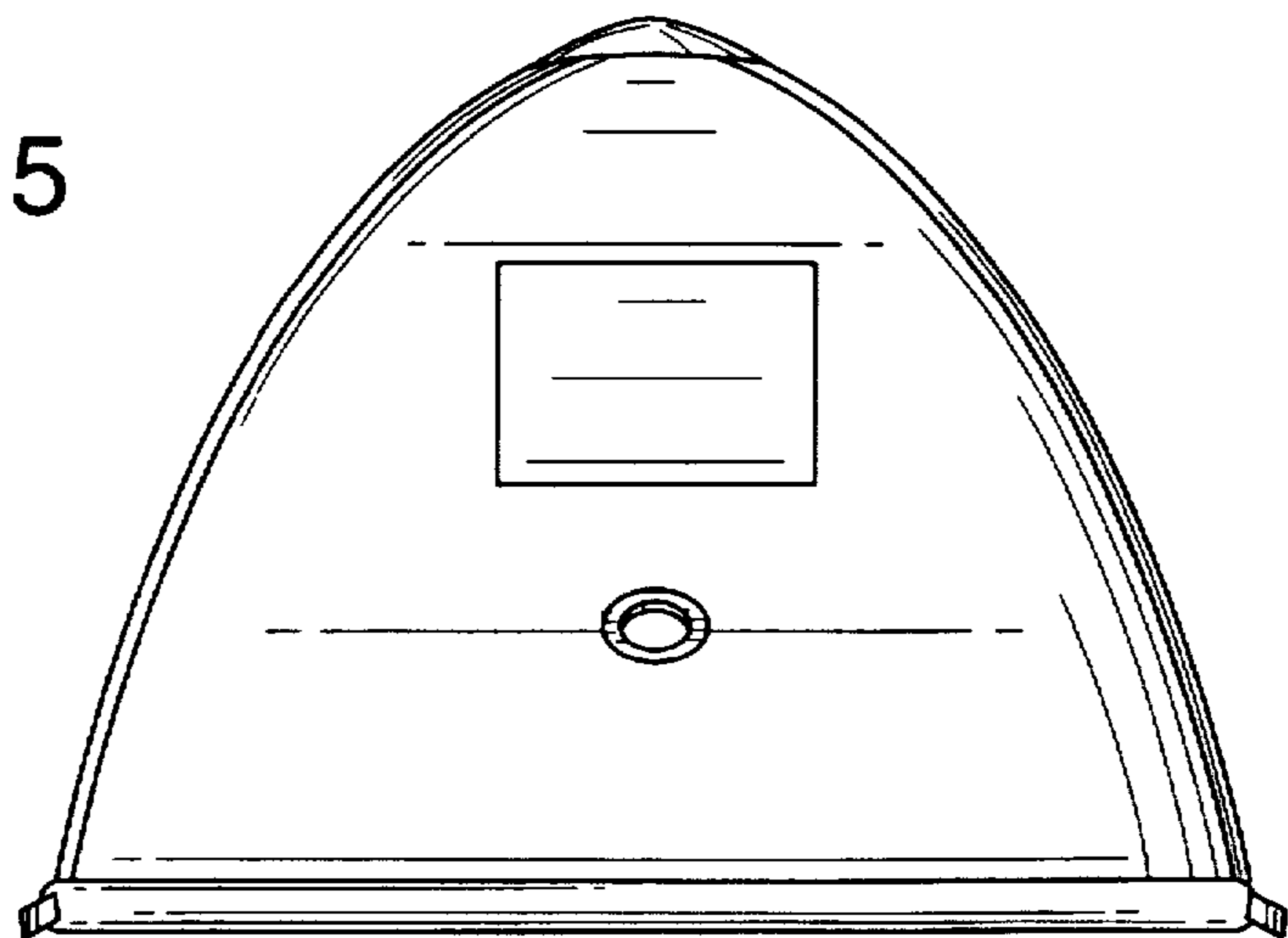


FIG. 4

FIG. 5



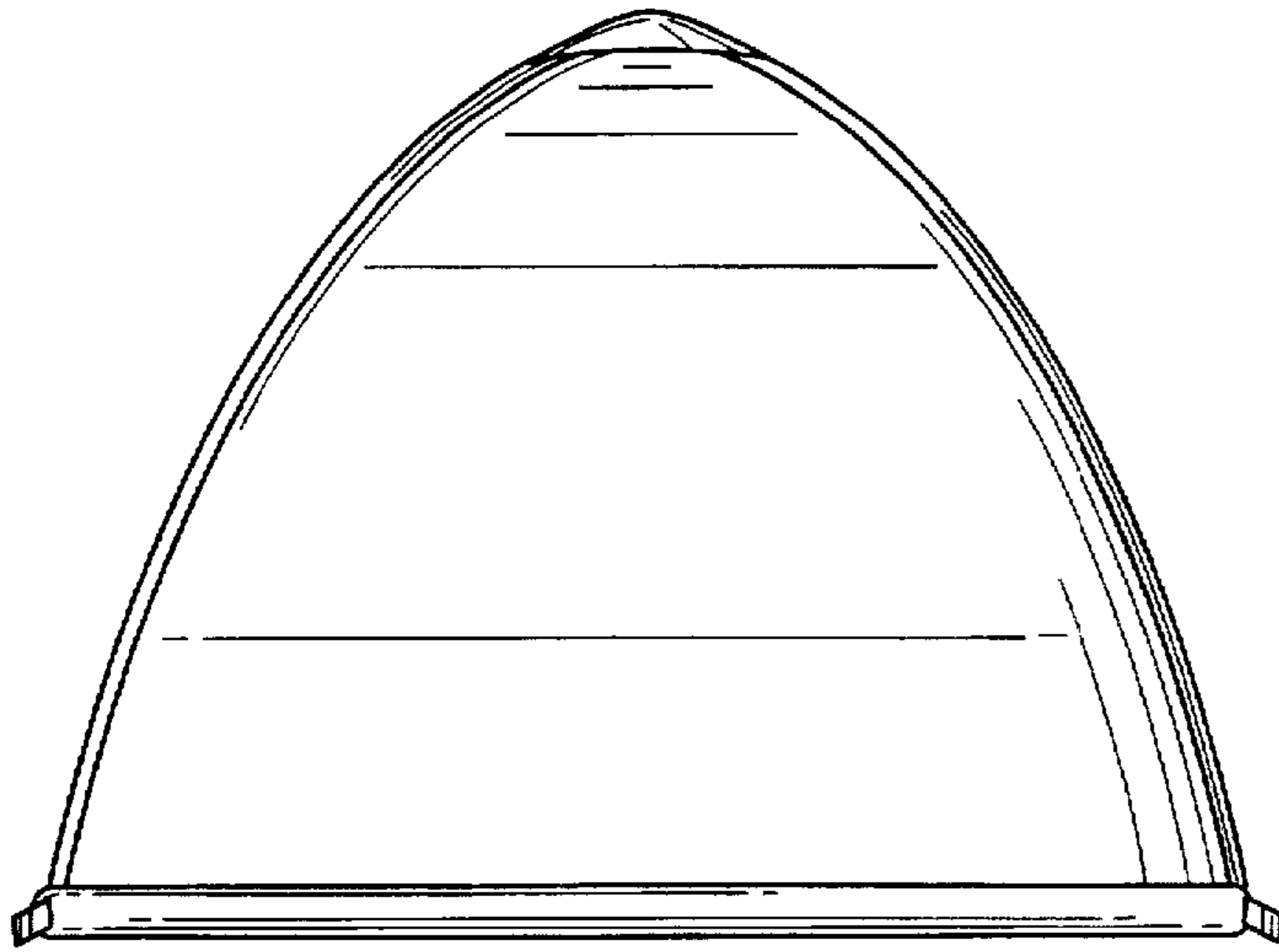
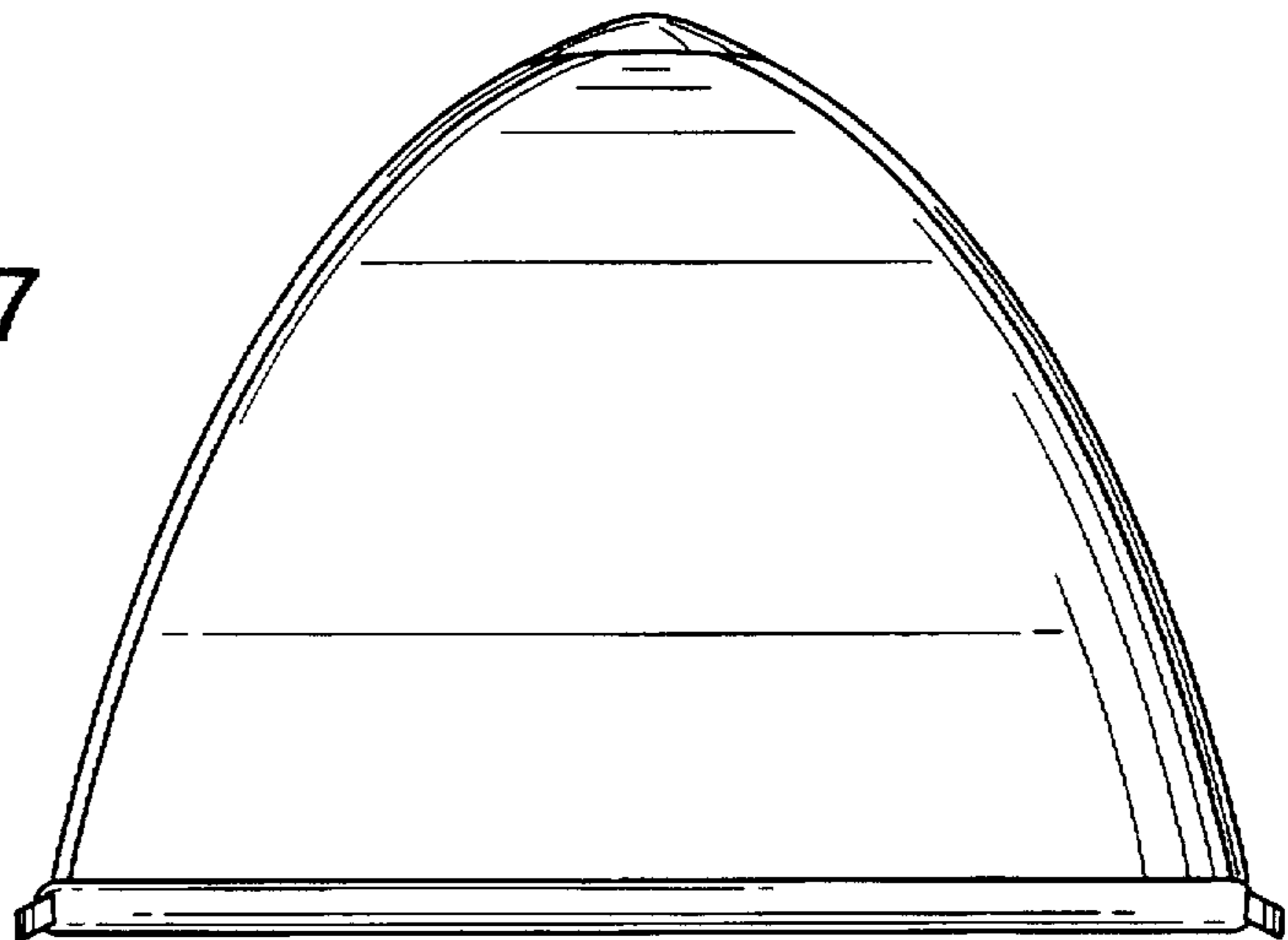


FIG. 6

FIG. 7



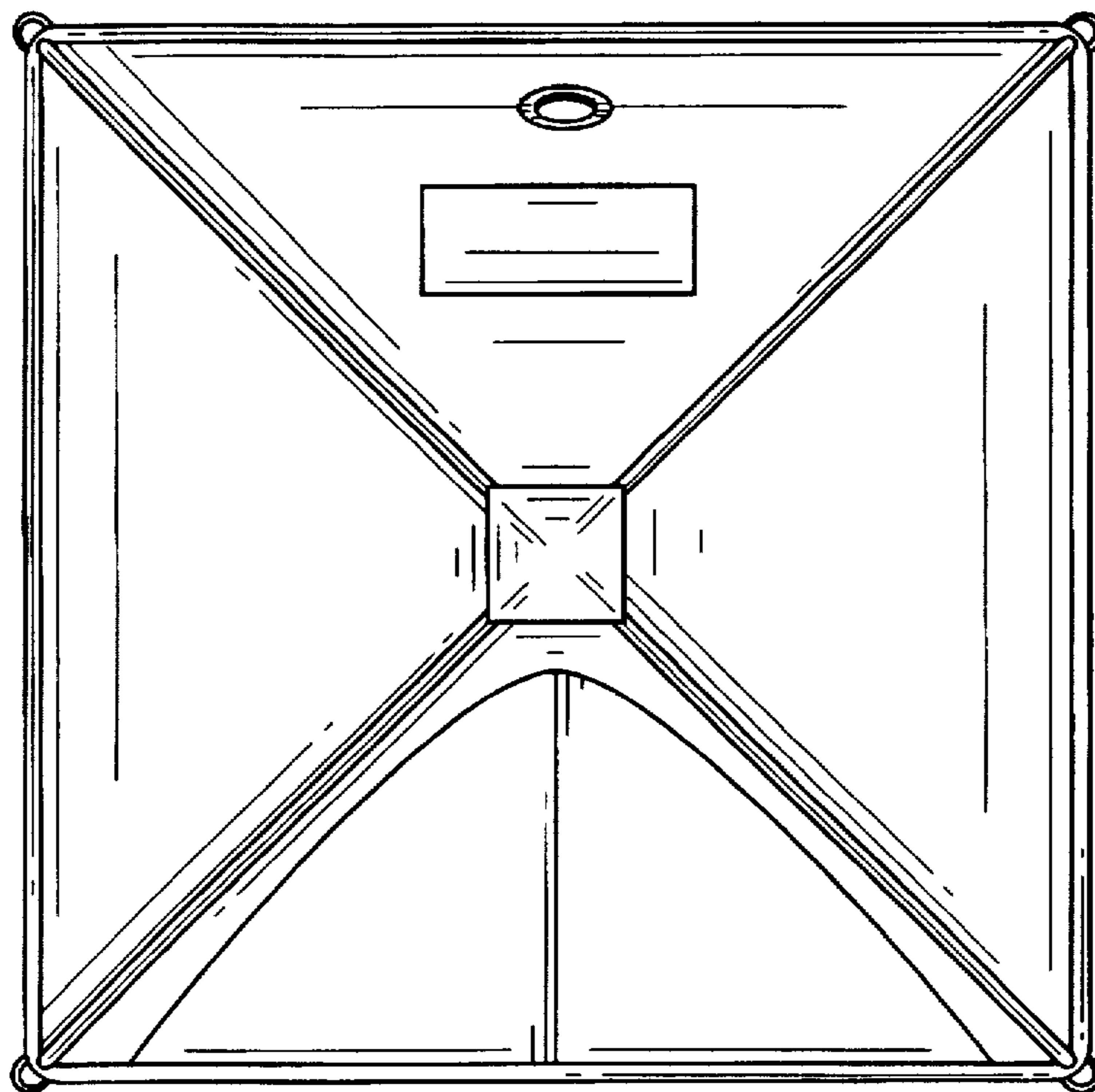


FIG. 8

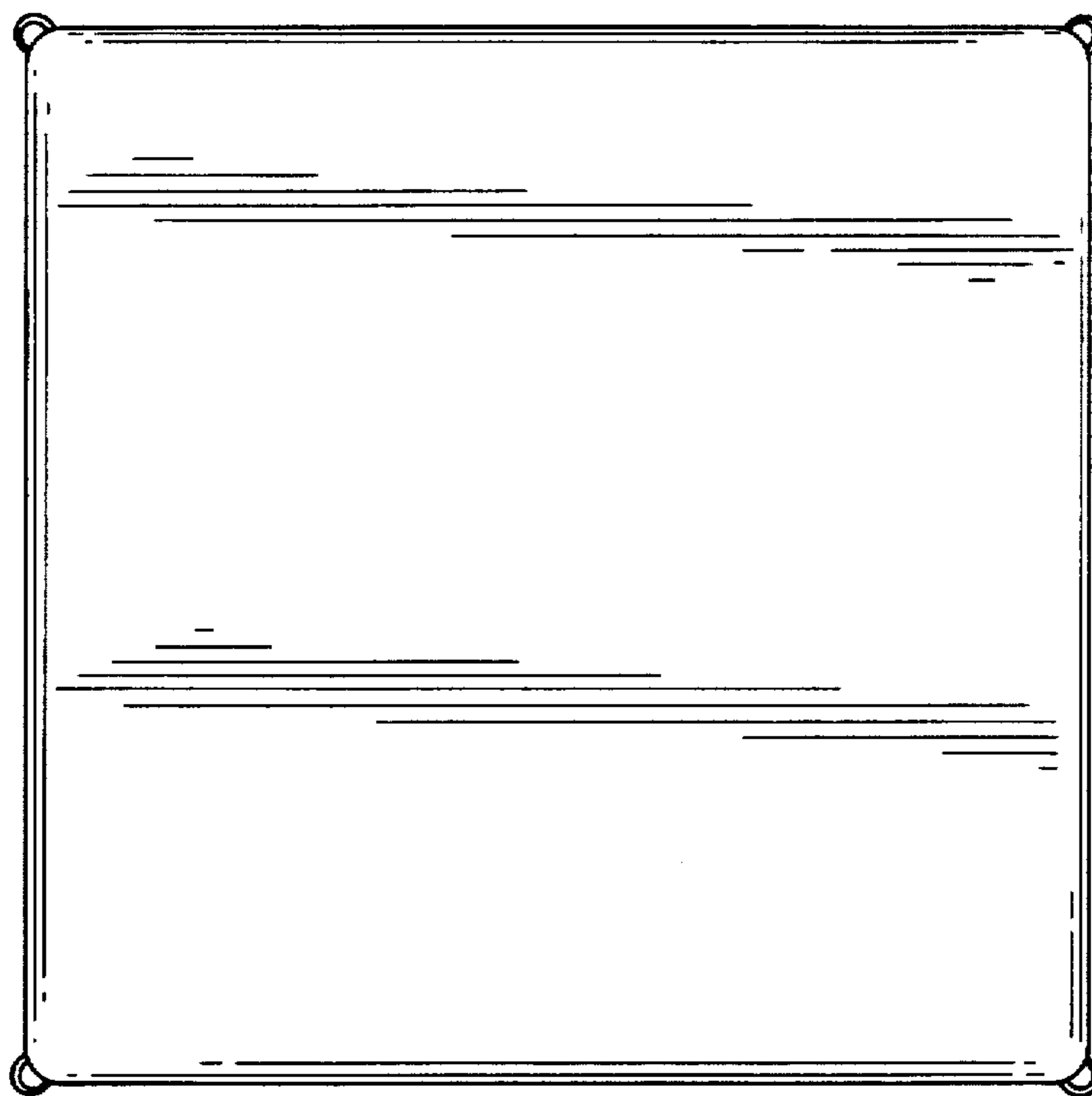


FIG. 9

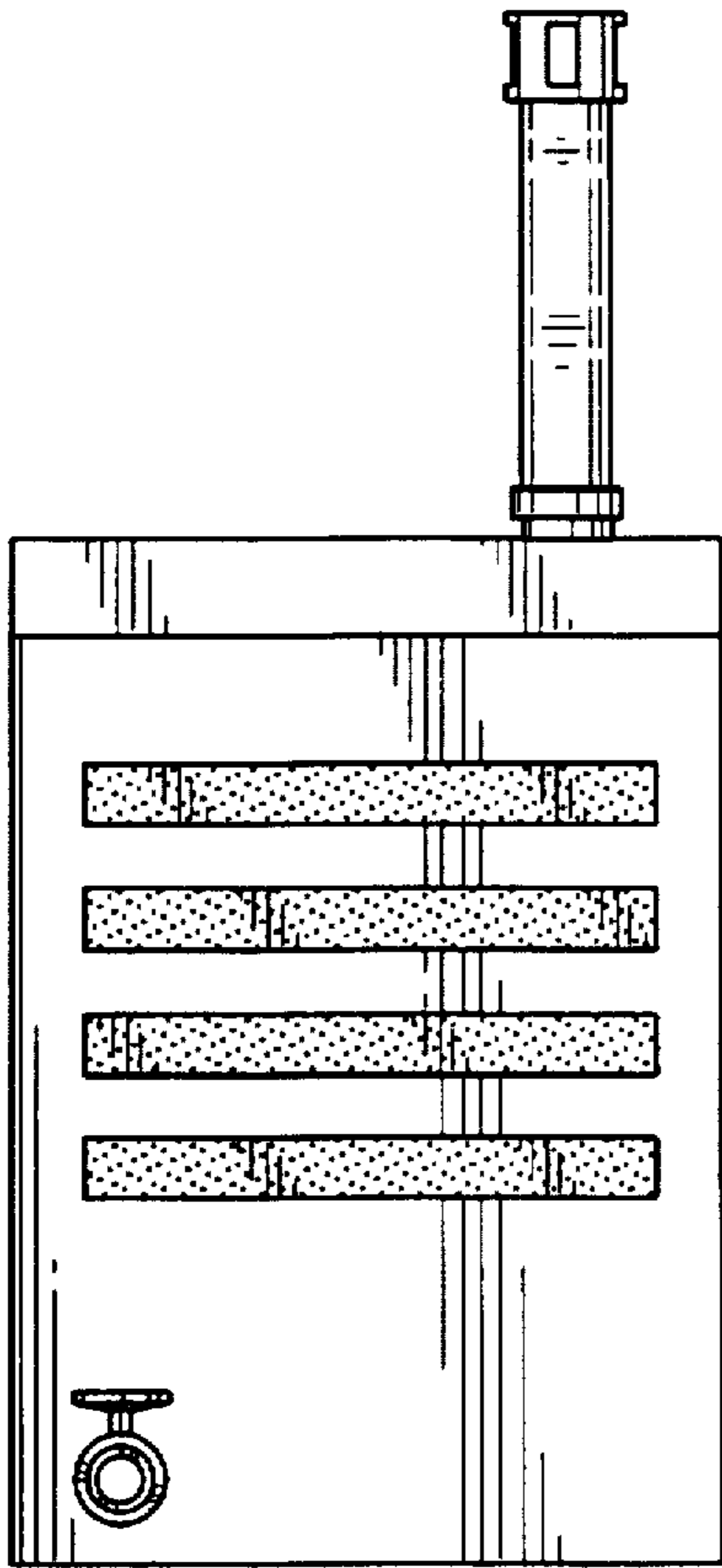


FIG. 10

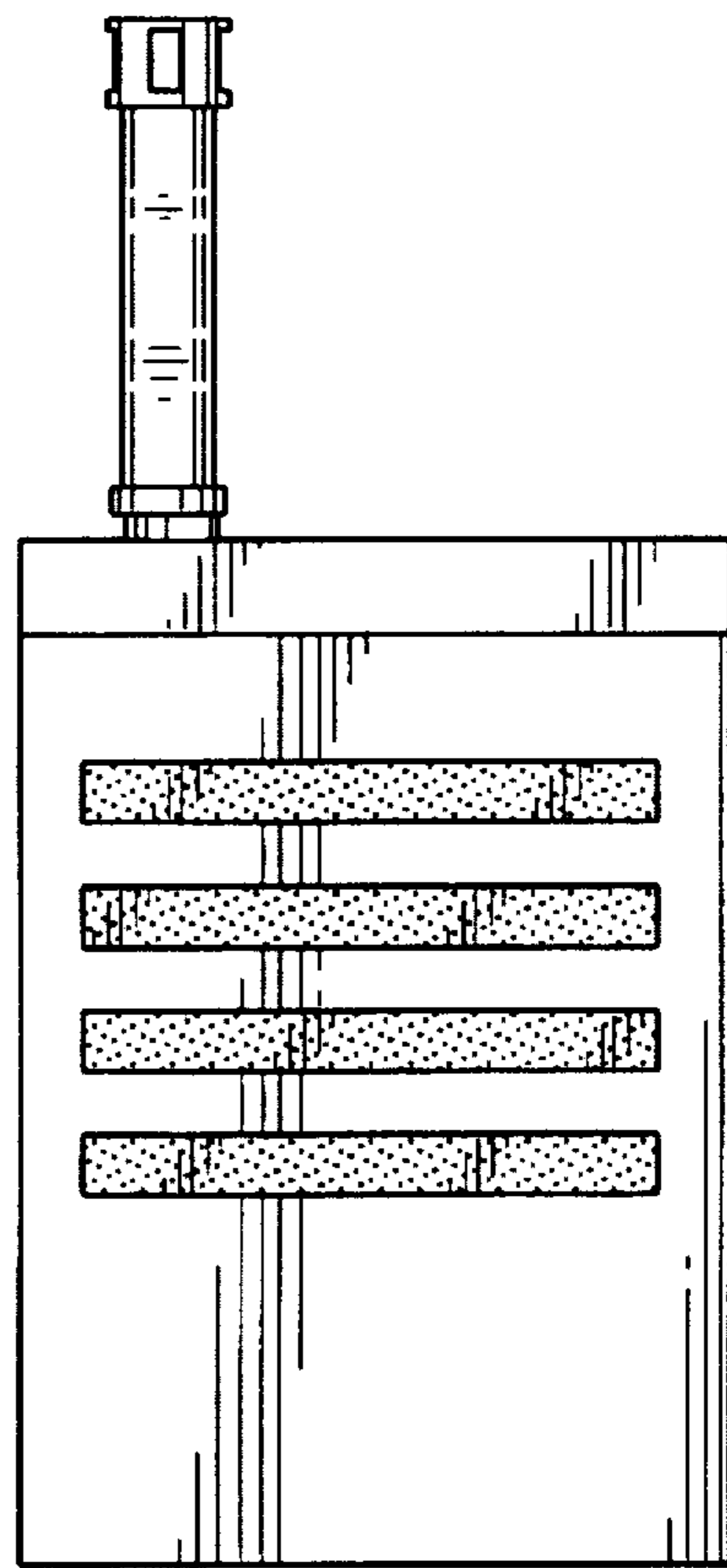


FIG. 11

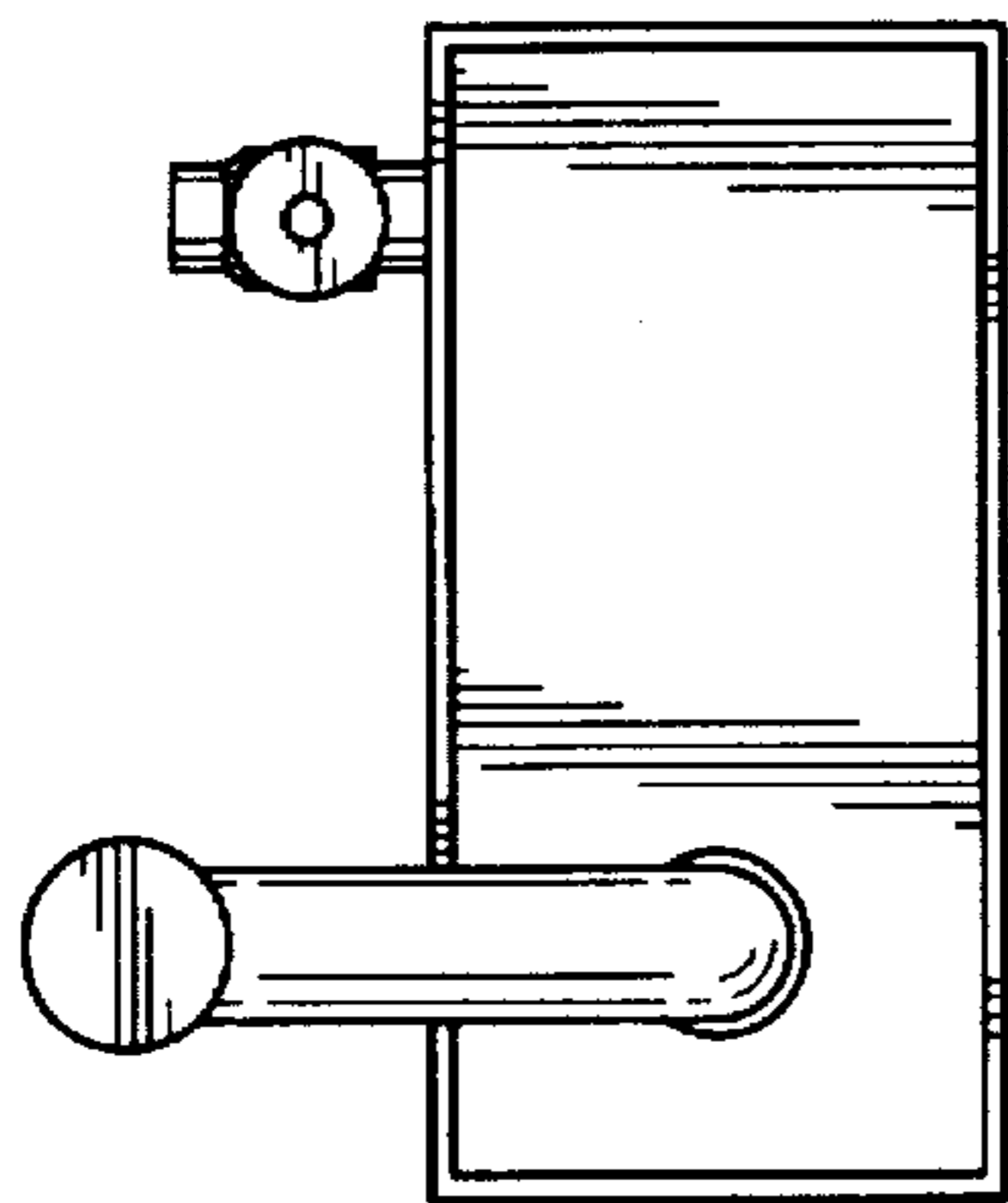
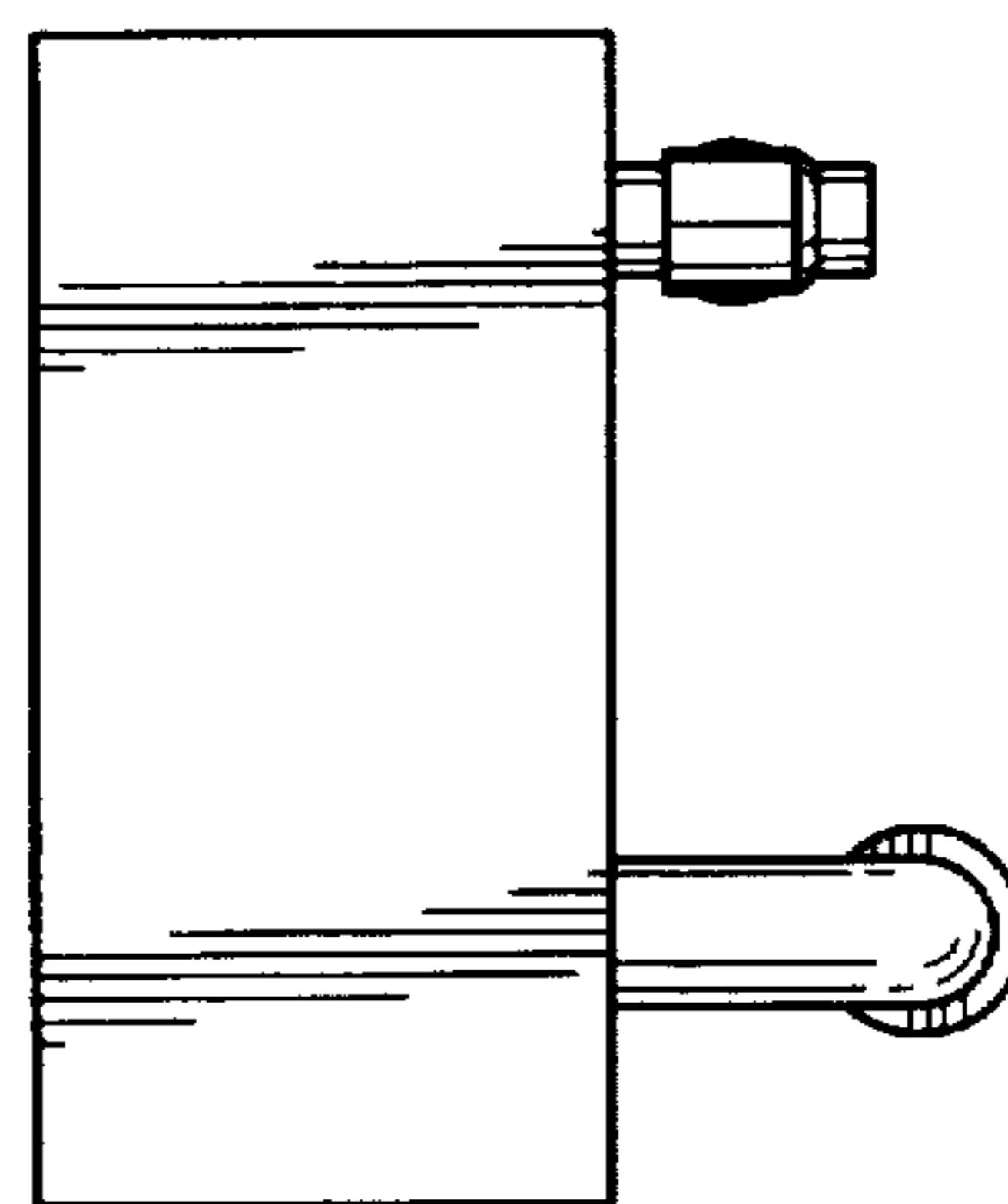


FIG. 12

FIG. 13



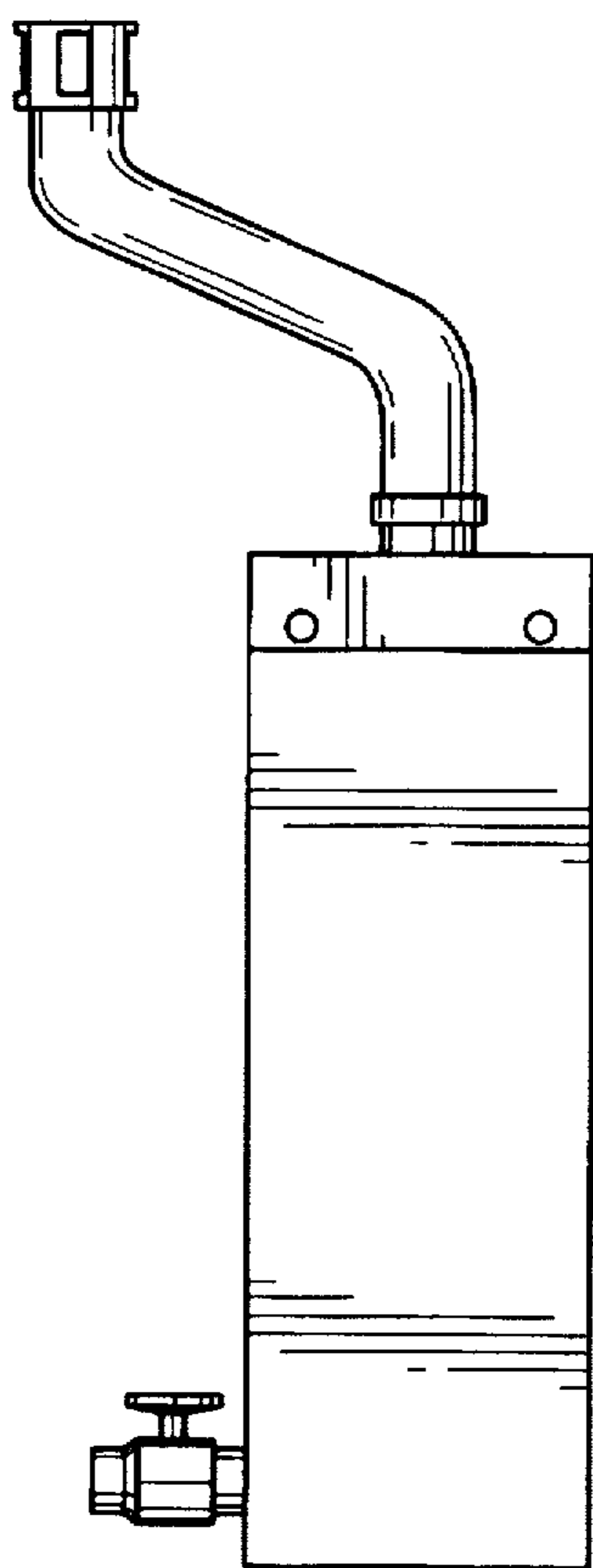


FIG. 14

FIG. 15

