

US00D395933S

United States Patent [19] Lin

[11] Patent Number: Des. 395,933
[45] Date of Patent: **Jul. 7, 1998

[54] STRIDING EXERCISER
[76] Inventor: Michael Lin, 6F-4, No. 400, Fu Hsin North Road, Chong San Chu, Taipei, Taiwan
[**] Term: 14 Years
[21] Appl. No.: 70,131
[22] Filed: May 1, 1997
[51] LOC (6) Cl. 21-02
[52] U.S. Cl. D21/191
[58] Field of Search D21/191, 192, D21/193, 194, 195; 482/51, 52, 53, 57, 58, 70, 71, 79, 74

5,536,224 7/1996 Hsieh 482/70
5,584,780 12/1996 Lin 482/51
5,584,781 12/1996 Chen 482/51
5,599,257 2/1997 Lee 482/51
5,603,675 2/1997 Wu 482/51
5,605,521 2/1997 Hsieh 482/51

Primary Examiner—Philip S. Hyder

[57] CLAIM

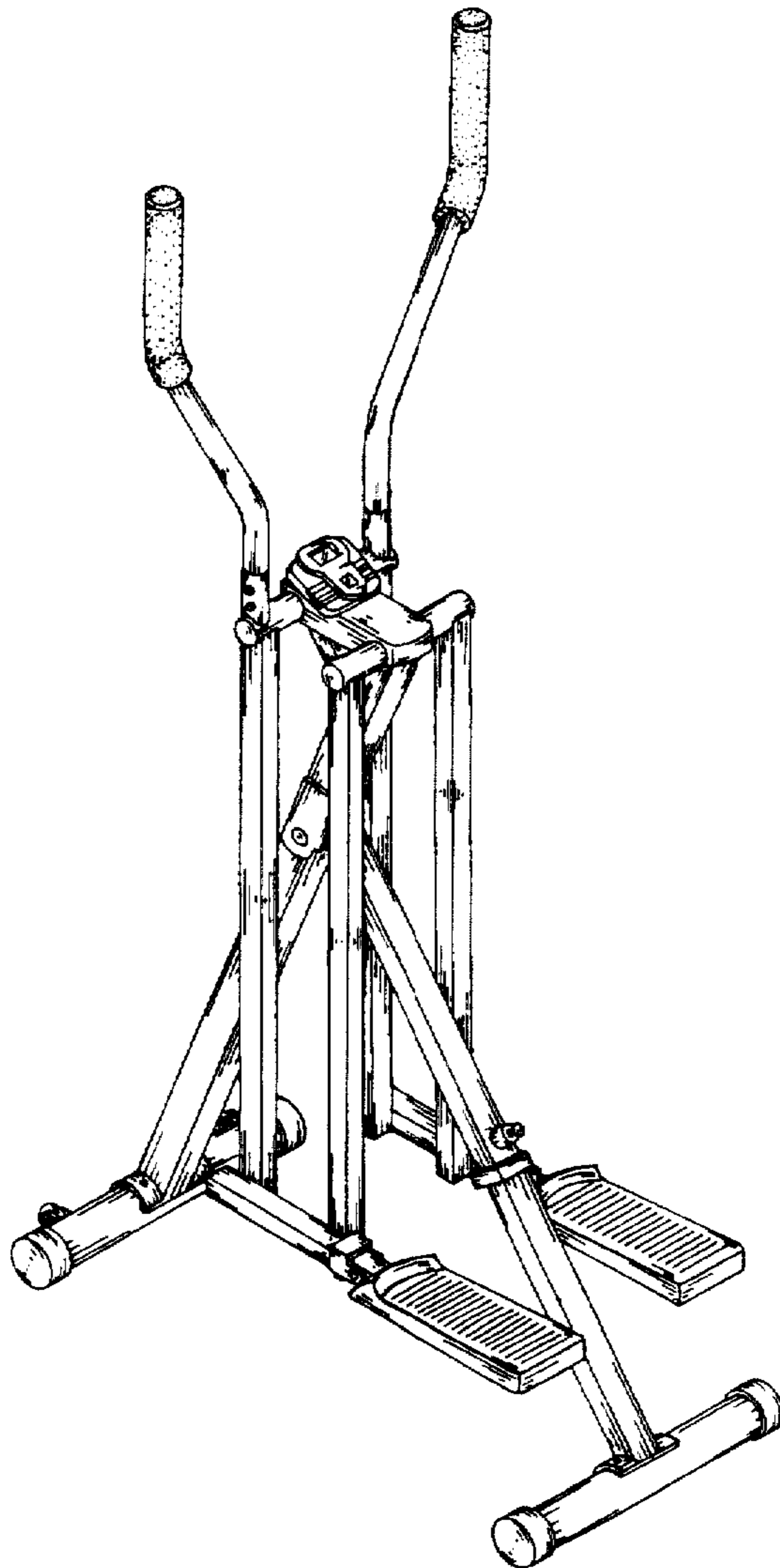
The ornamental design for a striding exerciser, as shown and described.

DESCRIPTION

FIG. 1 is a perspective view of a striding exerciser showing my new design;
FIG. 2 is a front elevational view thereof, the rear view being identical in appearance;
FIG. 3 is a left side elevational view thereof;
FIG. 4 is a right side elevational view thereof;
FIG. 5 is a top plan view thereof; and
FIG. 6 is a bottom plan view thereof.

[56] References Cited
U.S. PATENT DOCUMENTS
D. 378,841 4/1997 Huang D21/191
5,419,747 5/1995 Piaget et al. 482/70
5,496,235 3/1996 Stevens 482/51

1 Claim, 4 Drawing Sheets



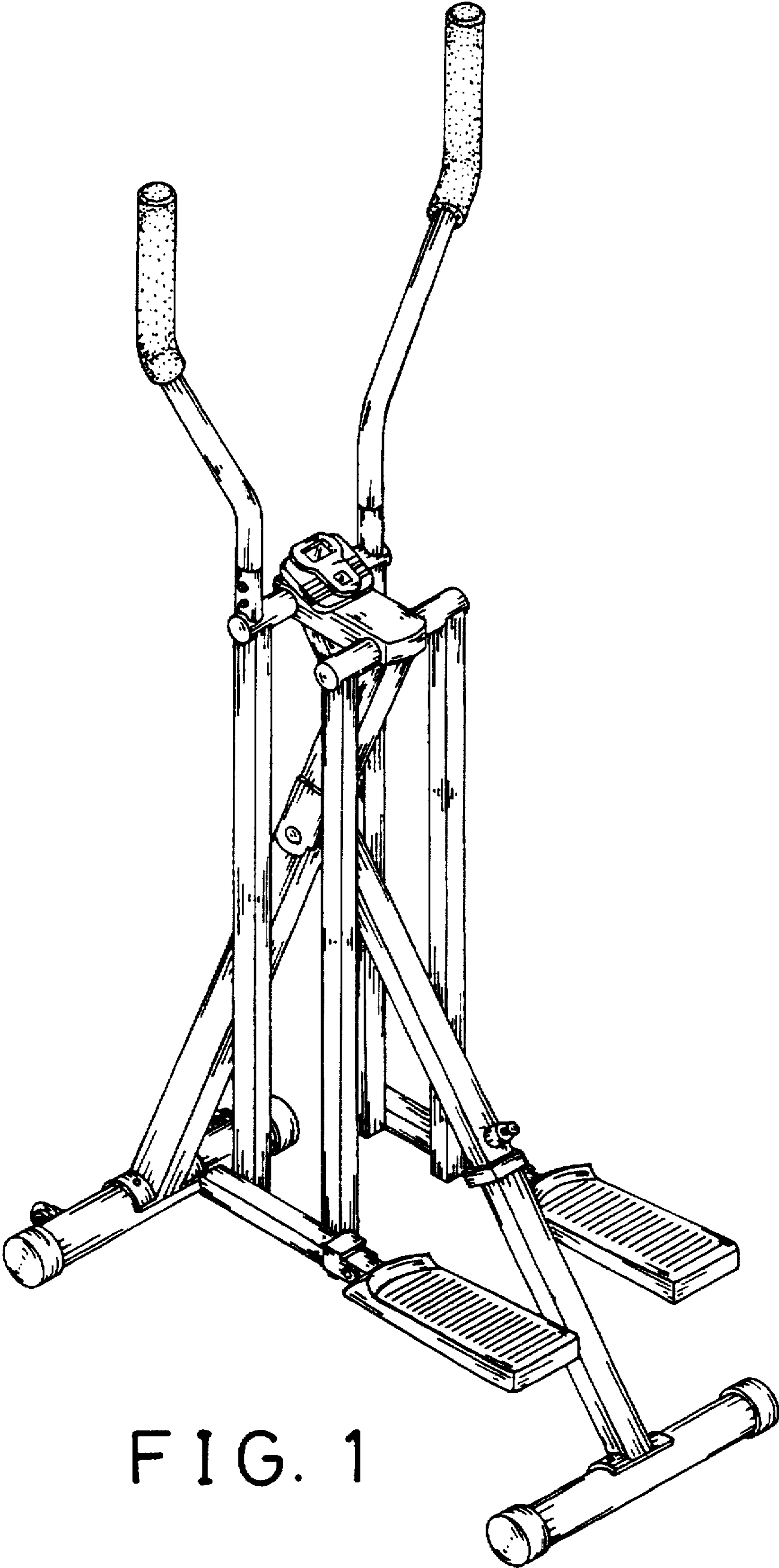


FIG. 1

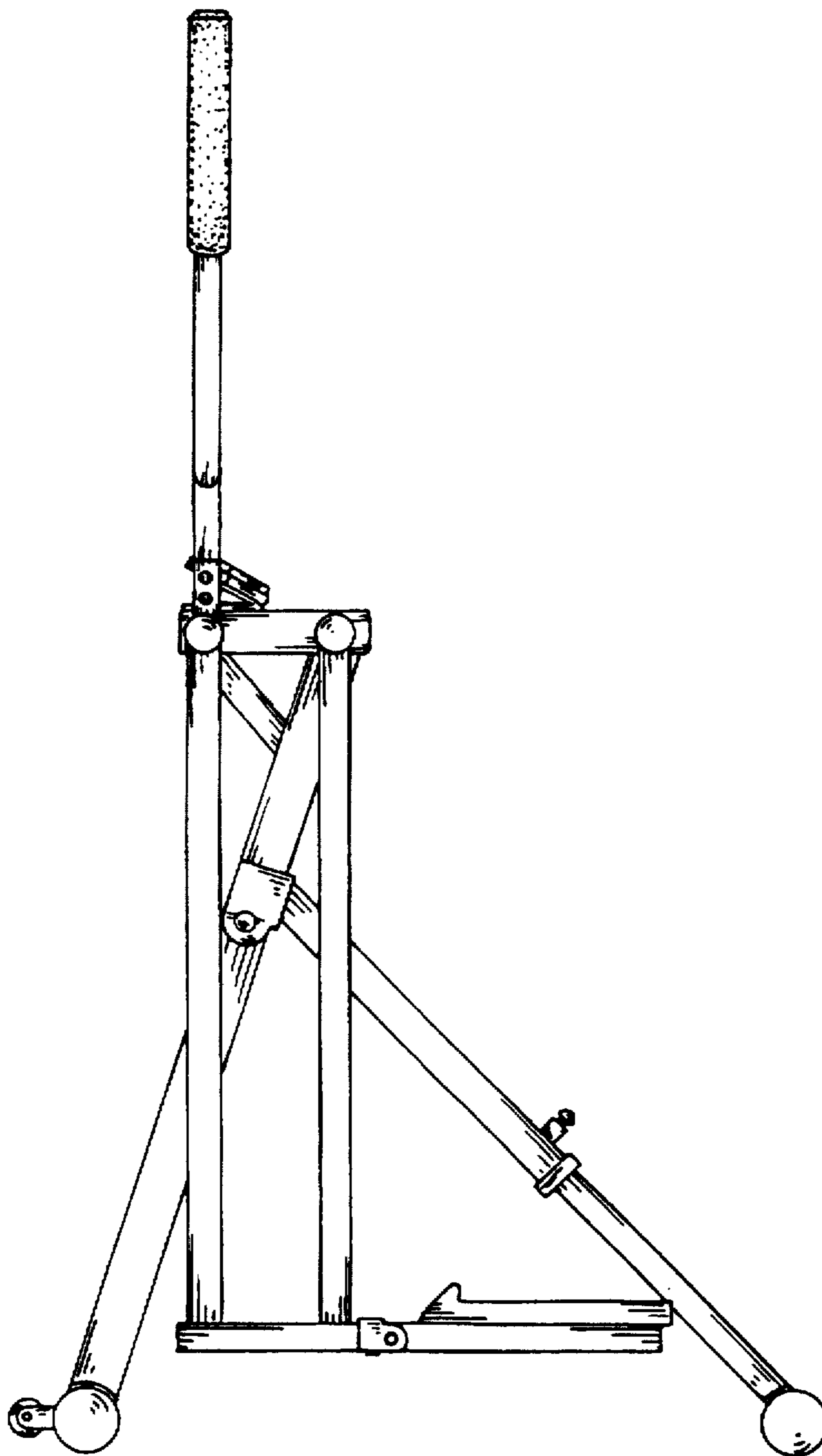


FIG. 2

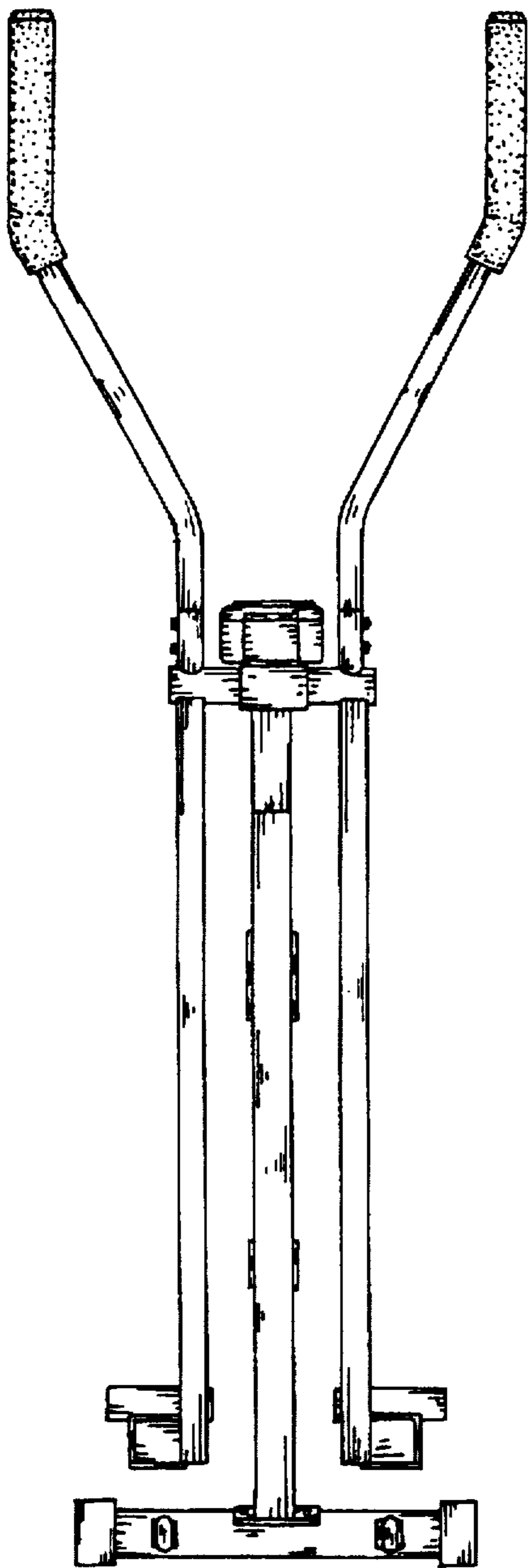


FIG. 3

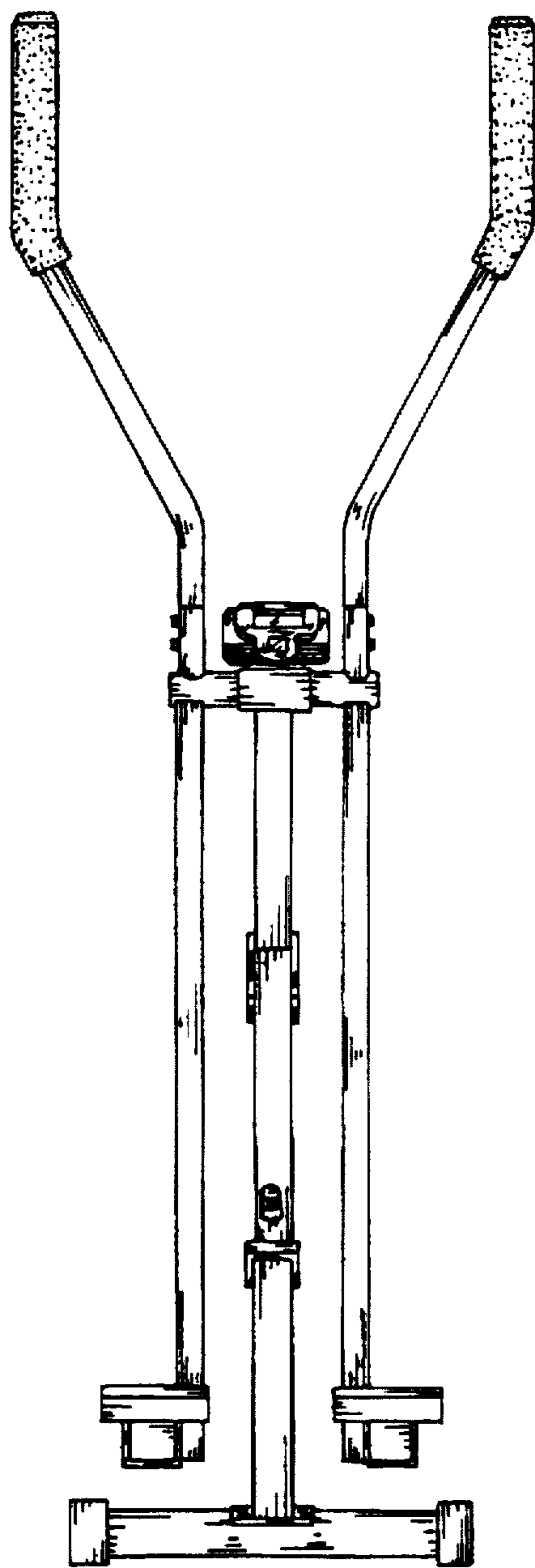


FIG. 4

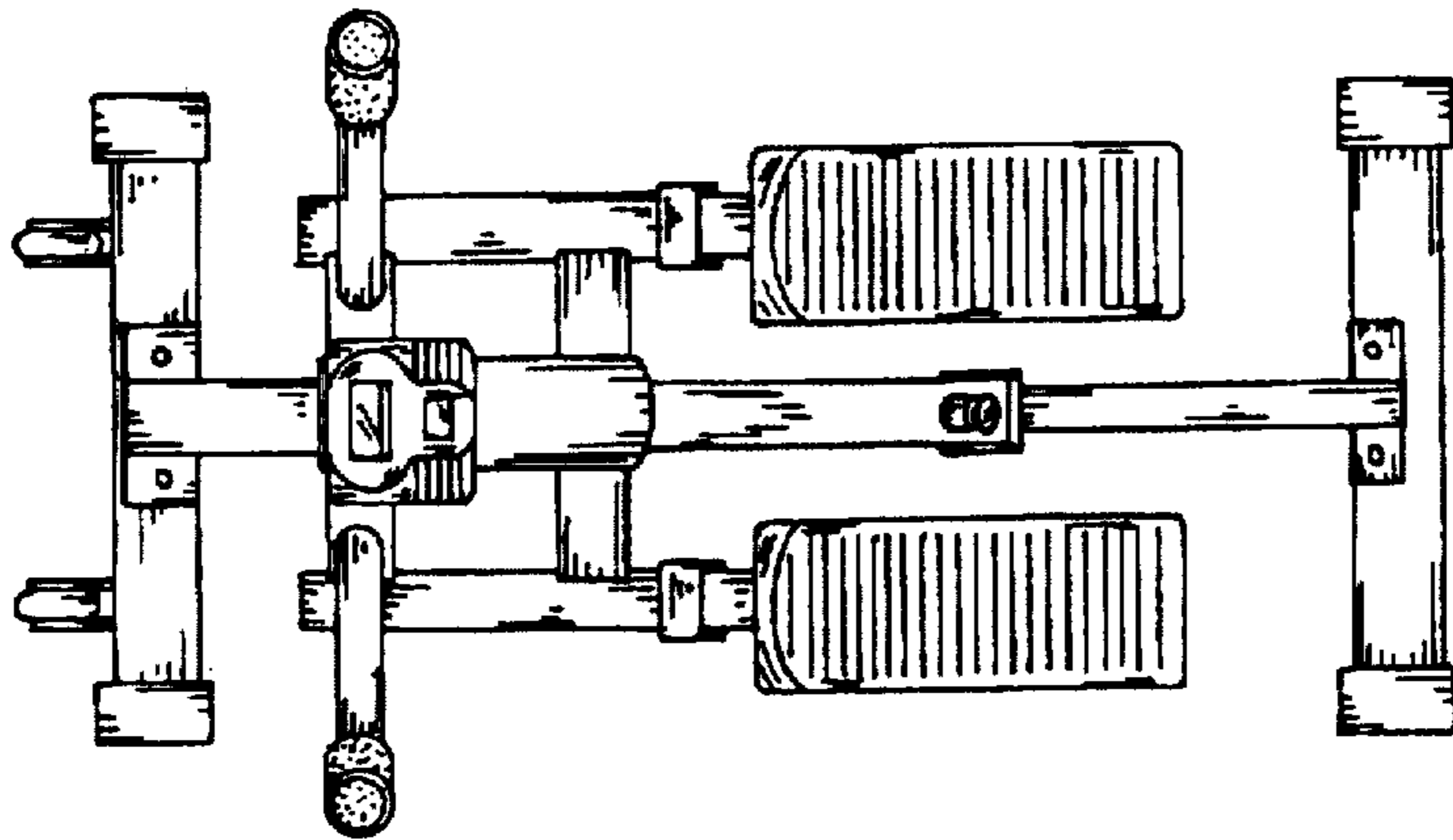


FIG. 5

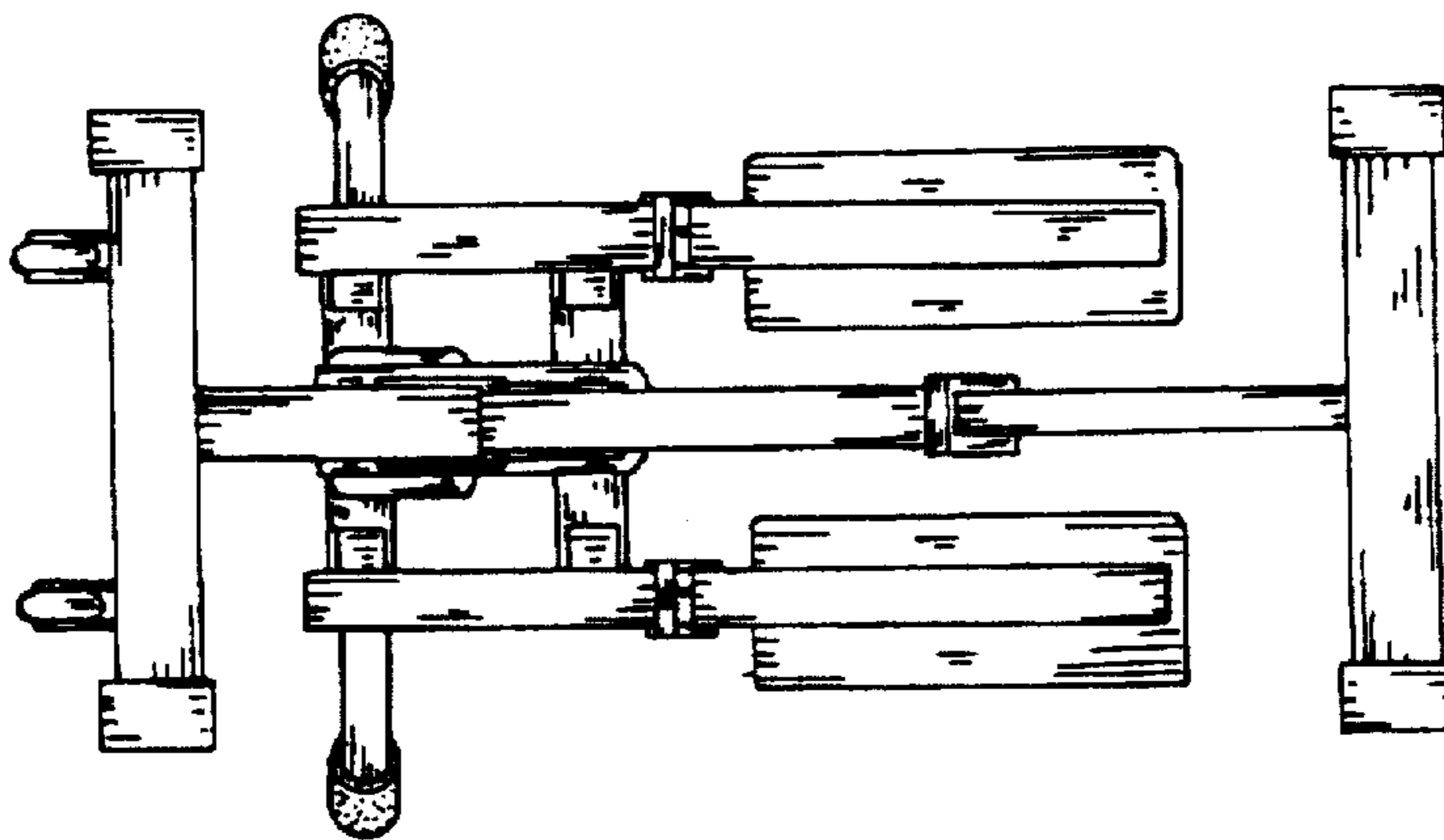


FIG. 6