



US00D395929S

United States Patent [19]

Boifava

[11] Patent Number: **Des. 395,929**

[45] Date of Patent: ****Jul. 7, 1998**

[54] **AMUSEMENT RIDE CAR**

[75] Inventor: **Mario Boifava**, Vicenza, Italy

[73] Assignee: **Antonio Zamperla s.p.a.**, Vicenza, Italy

[**] Term: **14 Years**

[21] Appl. No.: **66,071**

[22] Filed: **Feb. 4, 1997**

[51] LOC (6) Cl. **21-01**

[52] U.S. Cl. **D21/136; D21/250**

[58] Field of Search D21/250, 124, D21/125, 128, 136, 137, 76, 78; 180/2.1; 472/29; 446/444-447; 280/827, 828

[56] **References Cited**

U.S. PATENT DOCUMENTS

- D. 256,150 7/1980 Lofton et al. D21/250
- D. 346,195 4/1994 Delaney D21/250
- D. 366,295 1/1996 McGovern D21/136
- D. 371,975 7/1996 Dijkstra D21/250 X

- D. 377,492 1/1997 Dijkstra D21/78
- D. 379,383 5/1997 Yeh D21/136
- 5,453,053 9/1995 Danta et al. 472/29

OTHER PUBLICATIONS

Industrial Design; p. 73; Racer, middle right of page, Aug. 1958.

Primary Examiner—Sandra L. Morris
Assistant Examiner—Mitchell I. Siegel
Attorney, Agent, or Firm—Kenyon & Kenyon

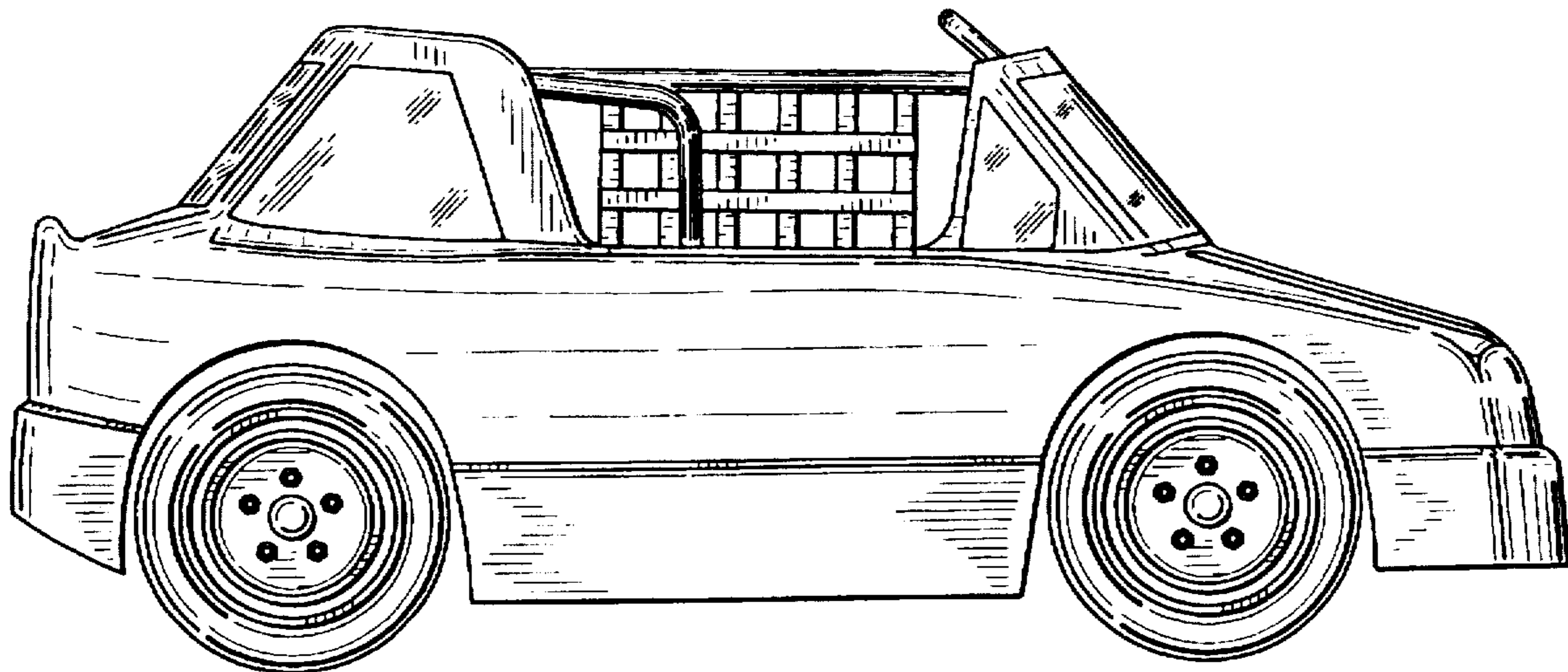
[57] **CLAIM**

The ornamental design for an amusement ride car, as shown and described.

DESCRIPTION

FIG. 1 is a front view of an amusement ride car showing my new design;
FIG. 2 is a rear view of the amusement ride car;
FIG. 3 is a right side view of the amusement ride car;
FIG. 4 is a left side view of the amusement ride car; and,
FIG. 5 is a top plan view of the amusement ride car.

1 Claim, 4 Drawing Sheets



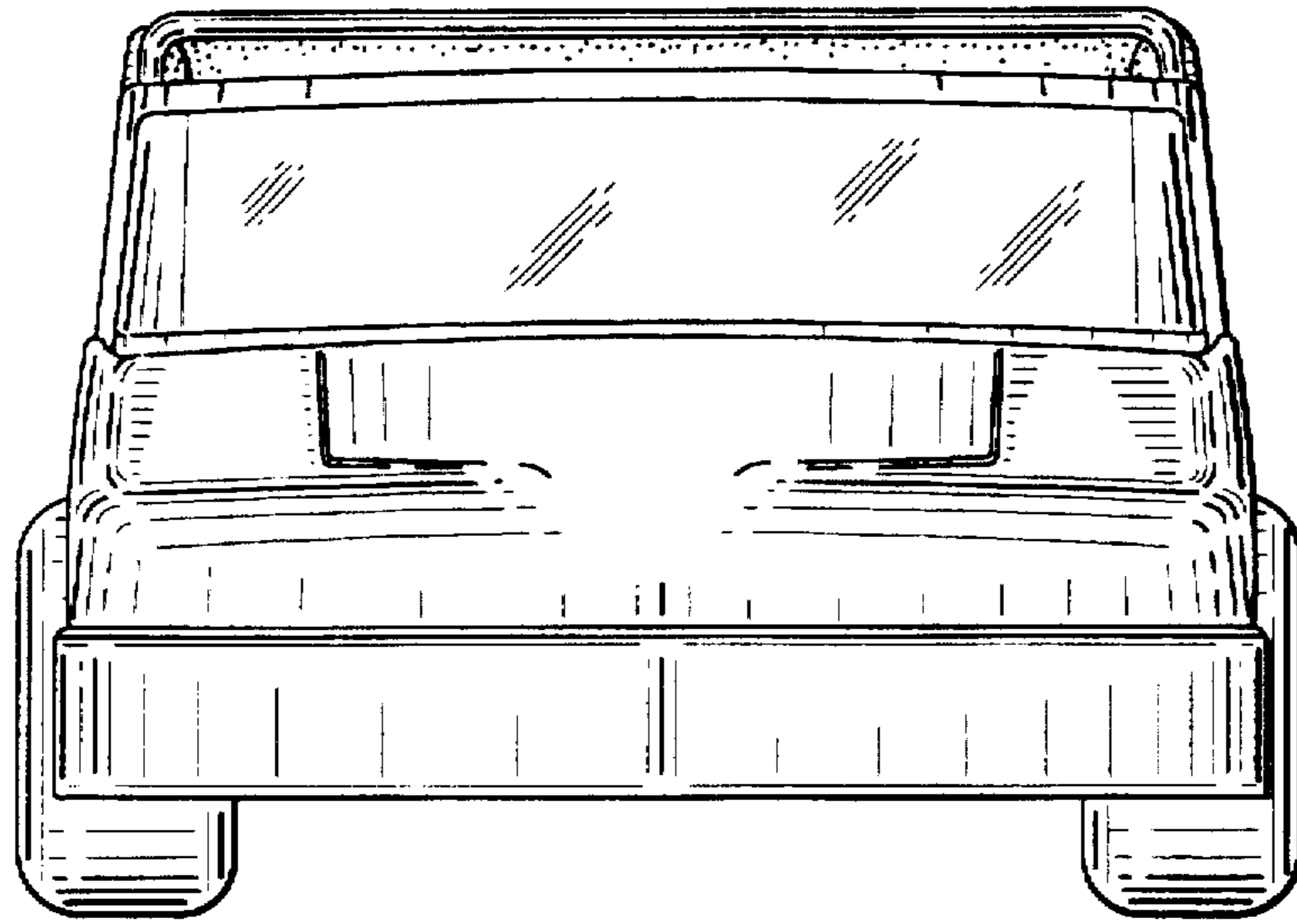


FIG. 1

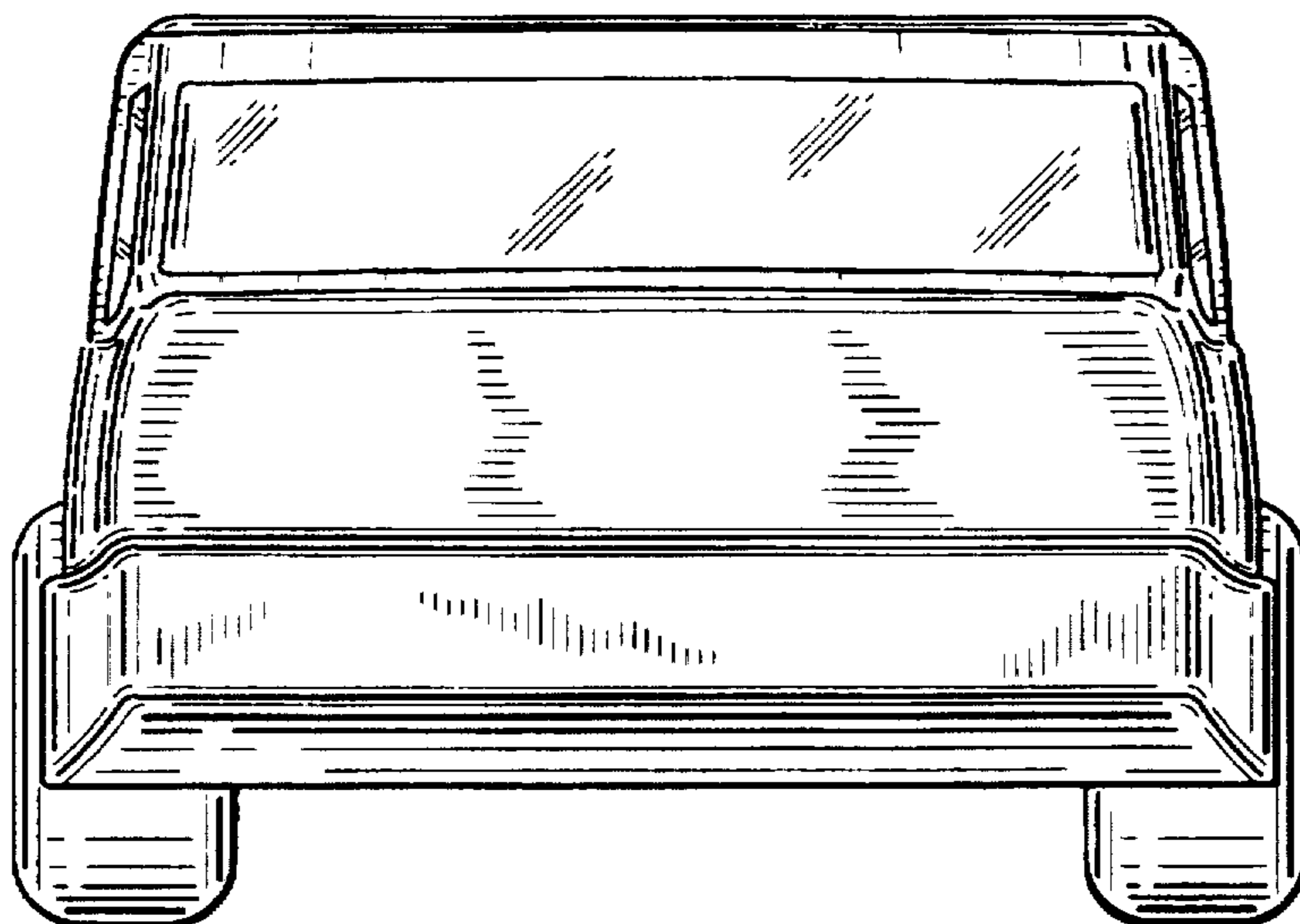


FIG. 2

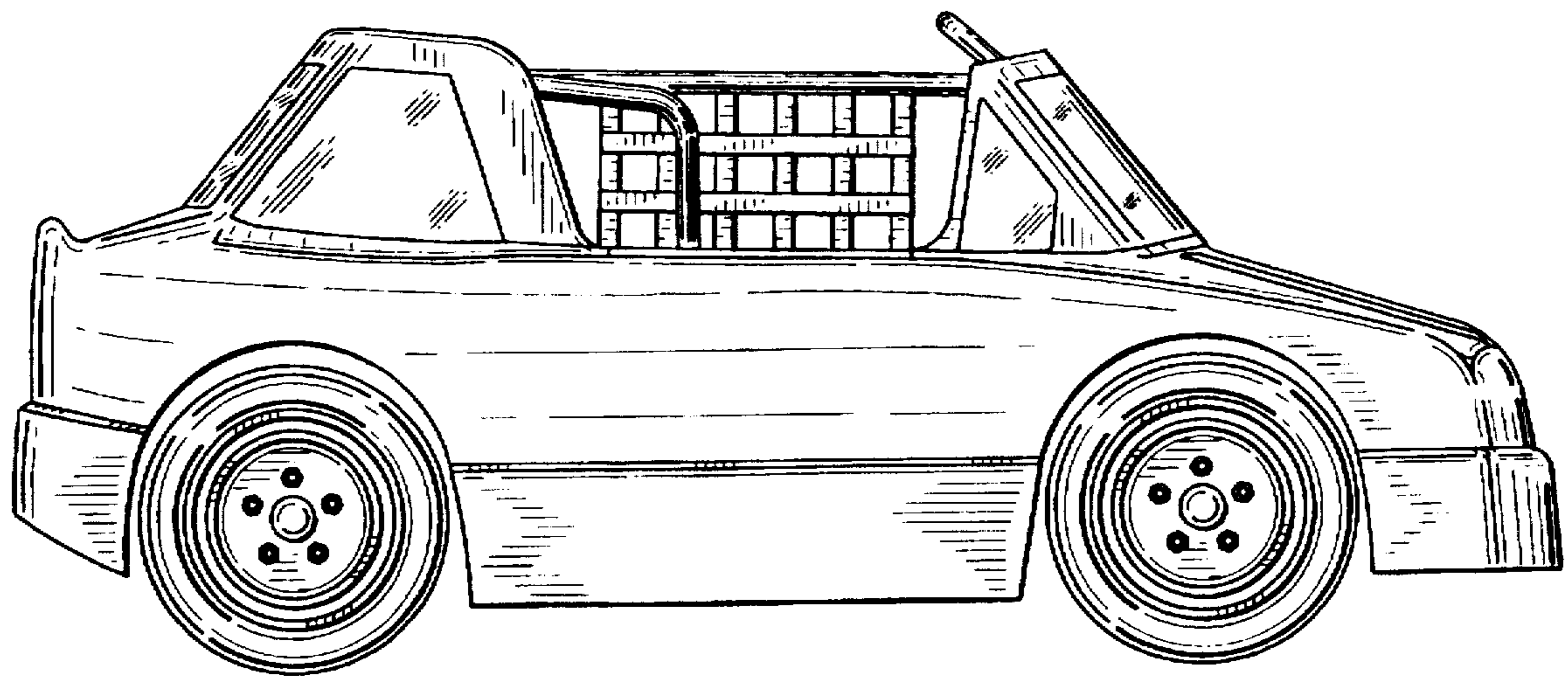


FIG. 3

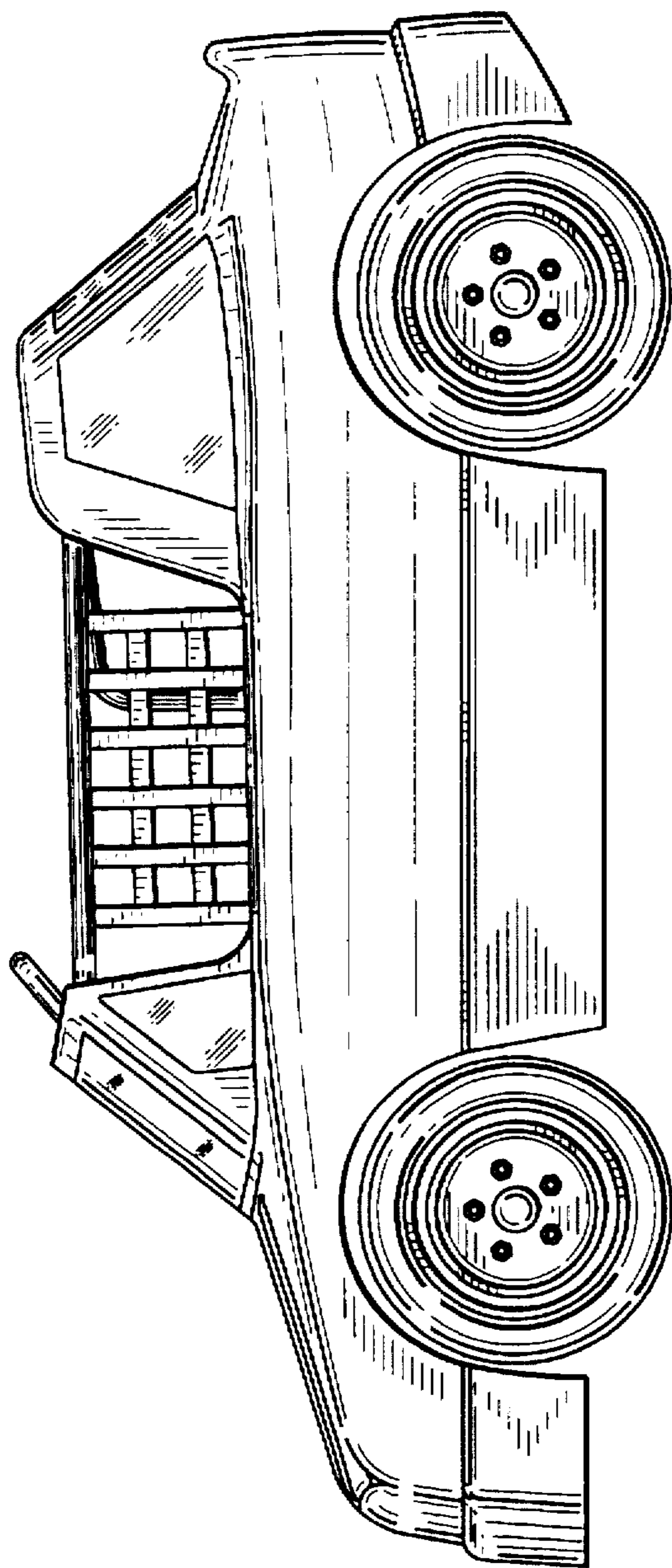


FIG. 4

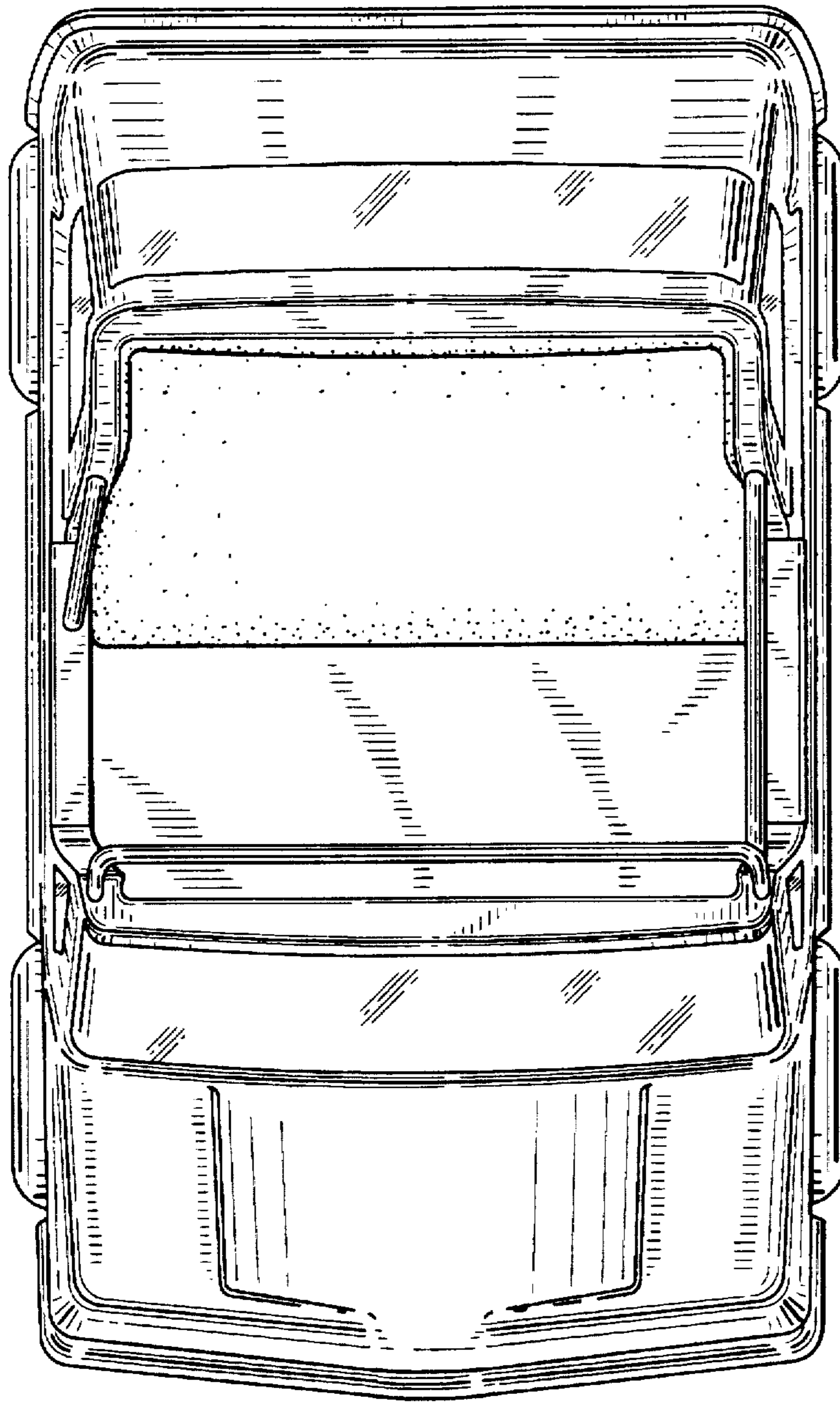


FIG. 5