



US00D395926S

United States Patent [19]

Lassen

[11] Patent Number: **Des. 395,926**

[45] Date of Patent: ****Jul. 7, 1998**

[54] **TOY ELEMENT**

[75] Inventor: **Jesper Lassen**, Copenhagen, Denmark

[73] Assignee: **INTERLEGO AG**, Baar, Switzerland

[**] Term: **14 Years**

[21] Appl. No.: **76,732**

[22] Filed: **Sep. 18, 1997**

[51] LOC (6) Cl. **21-01**

[52] U.S. Cl. **D21/108**

[58] Field of Search D21/108, 109;
446/85, 100, 120, 121, 124, 125, 128, 465,
470

[56] **References Cited**

U.S. PATENT DOCUMENTS

- D. 304,961 12/1989 Weiland D21/108
- D. 360,910 8/1995 Frederiksen D21/108
- D. 371,401 7/1996 Nielsen D21/108

- D. 373,151 8/1996 Mathiesen D21/108
- D. 377,060 12/1996 Frederiksen D21/108

Primary Examiner—Raphael Barkai

Attorney, Agent, or Firm—Kane, Dalsimer, Sullivan, Kurucz, Levy, Eisele and Richard, LLP

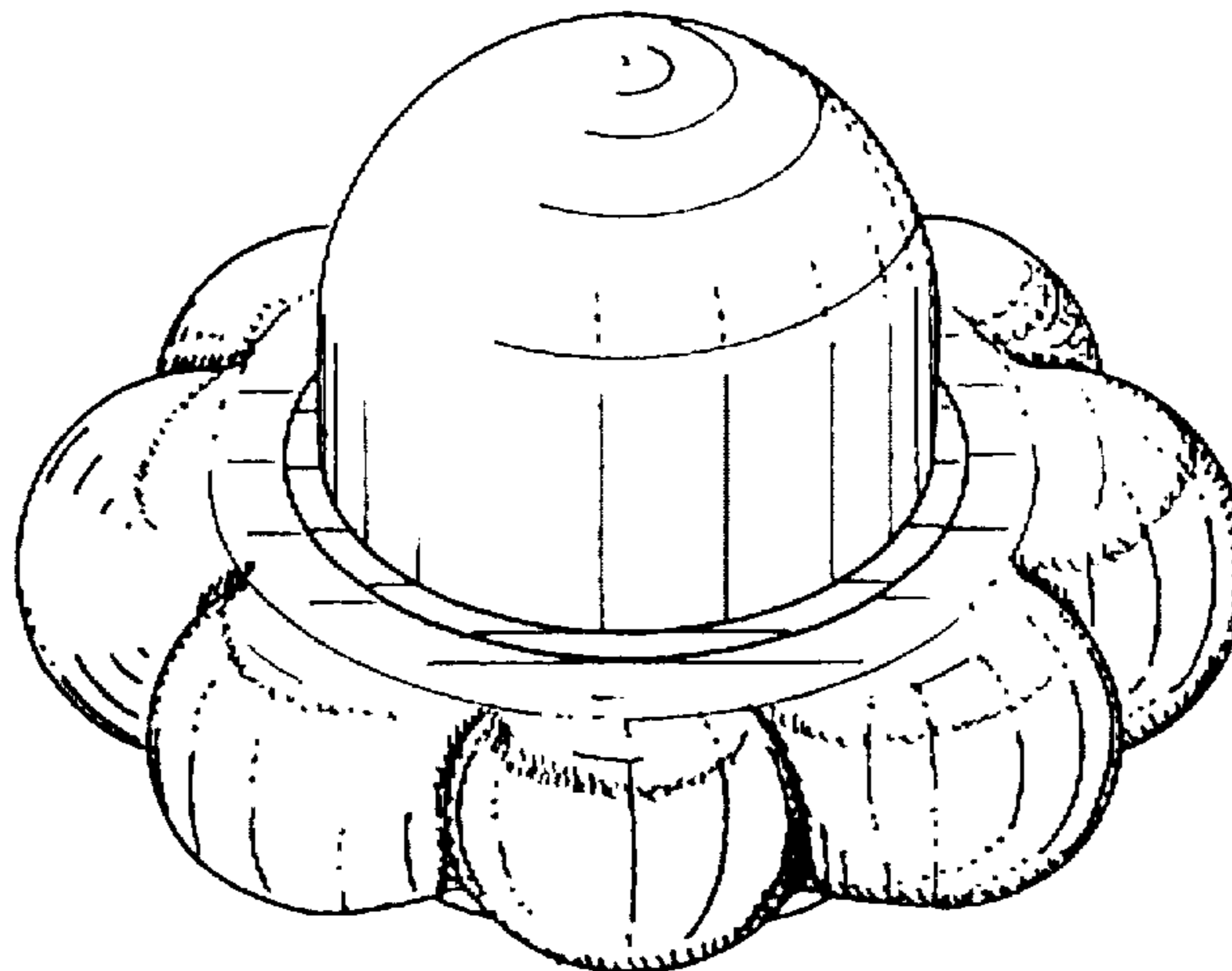
[57] **CLAIM**

The ornamental design for a toy element, as shown and described.

DESCRIPTION

FIG. 1 is a top perspective view of the toy element;
 FIG. 2 is a bottom perspective view thereof;
 FIG. 3 is a front elevational view thereof;
 FIG. 4 is a right side elevational view thereof;
 FIG. 5 is a left side elevational view thereof;
 FIG. 6 is a rear elevational view thereof;
 FIG. 7 is a bottom plan view thereof; and,
 FIG. 8 is a top plan view thereof.

1 Claim, 3 Drawing Sheets



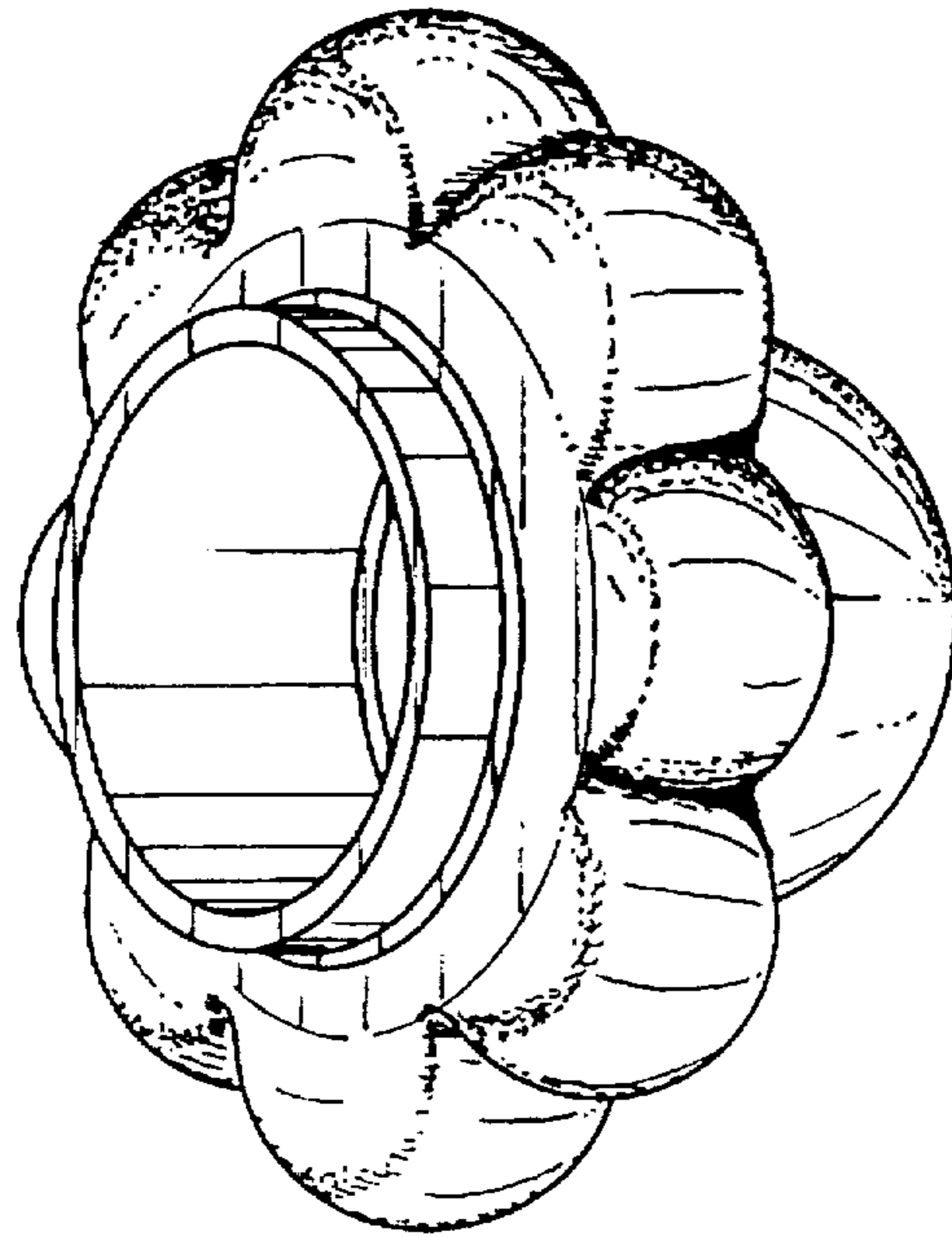


Fig. 2

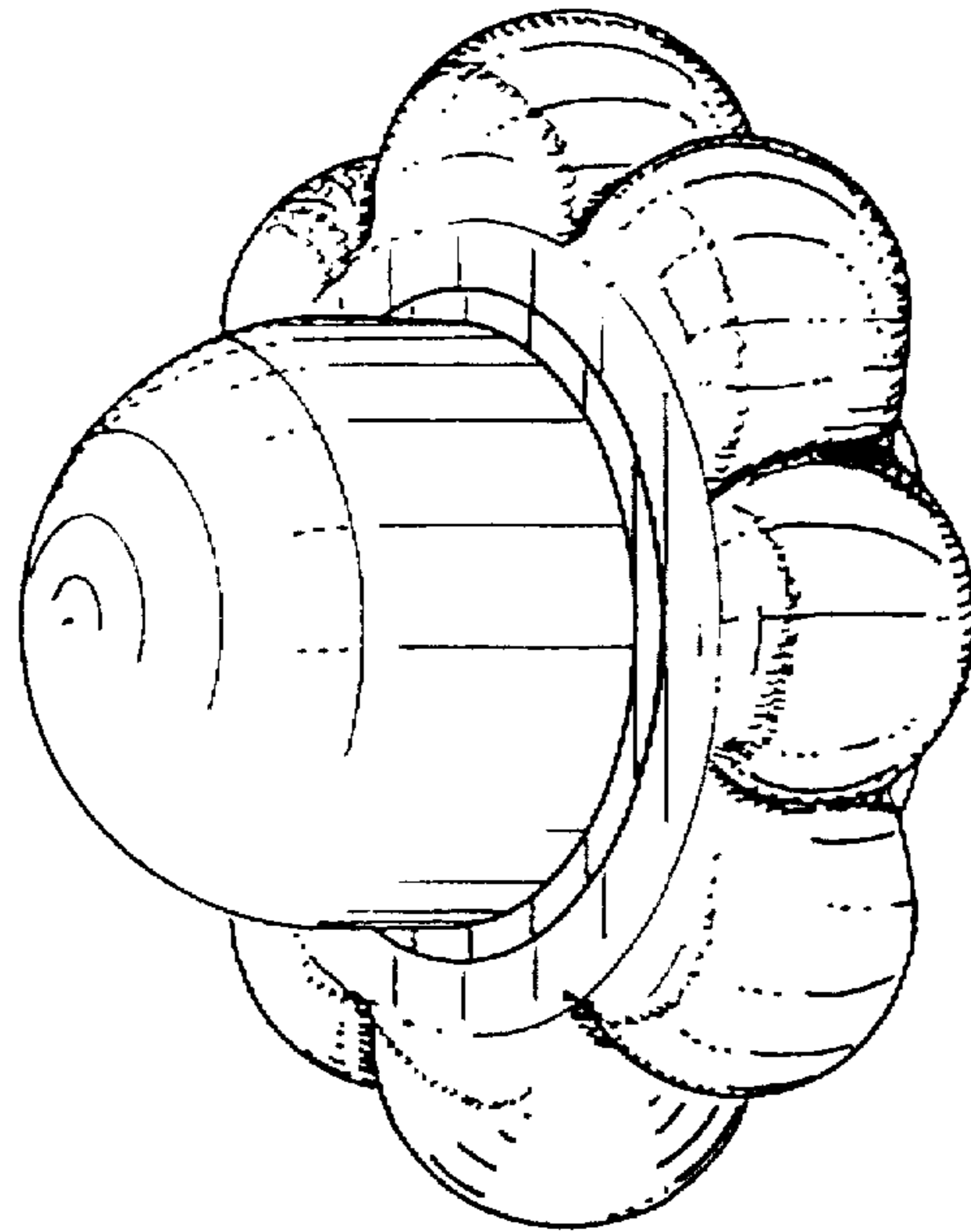


Fig. 1

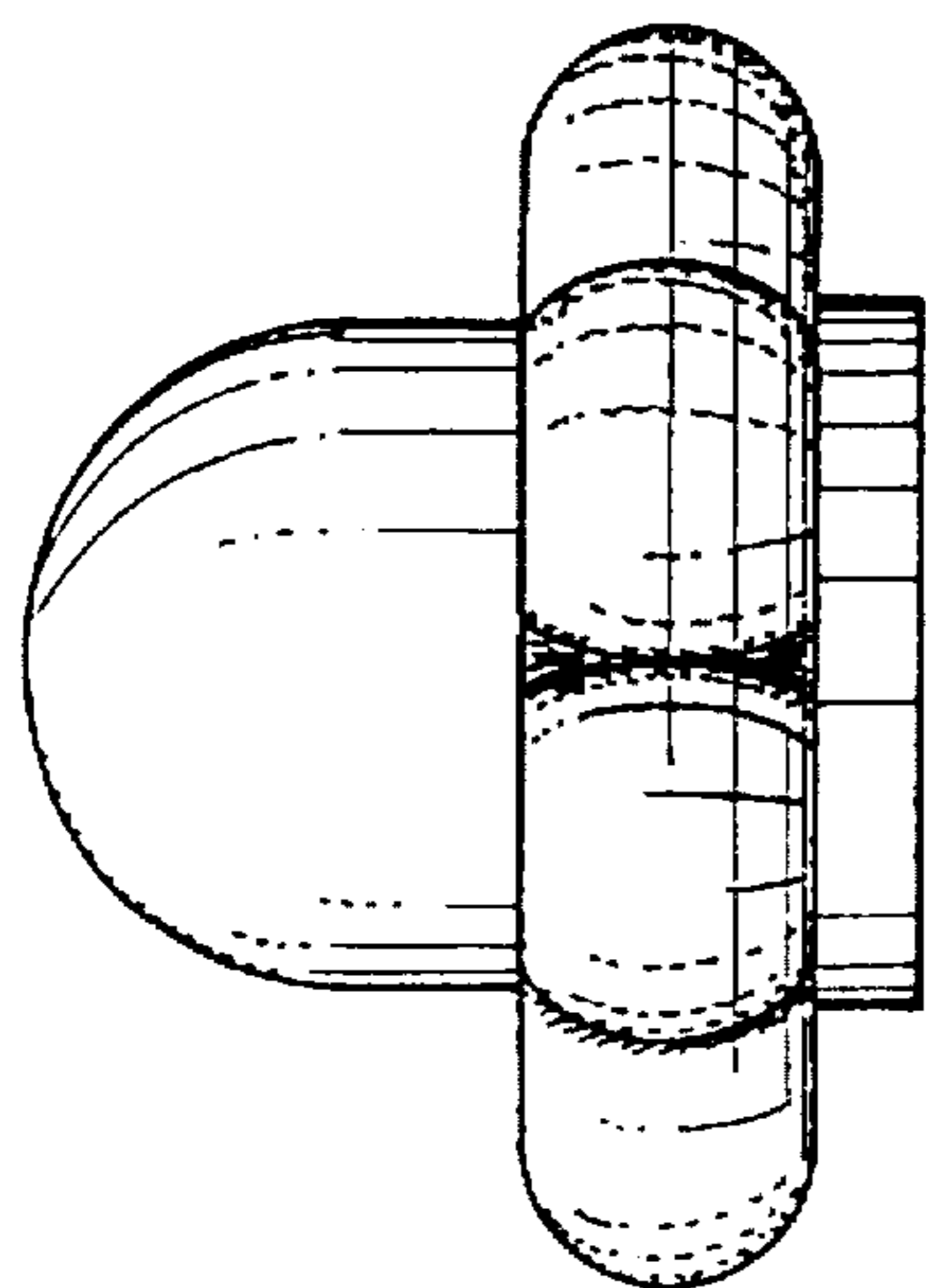


Fig. 4

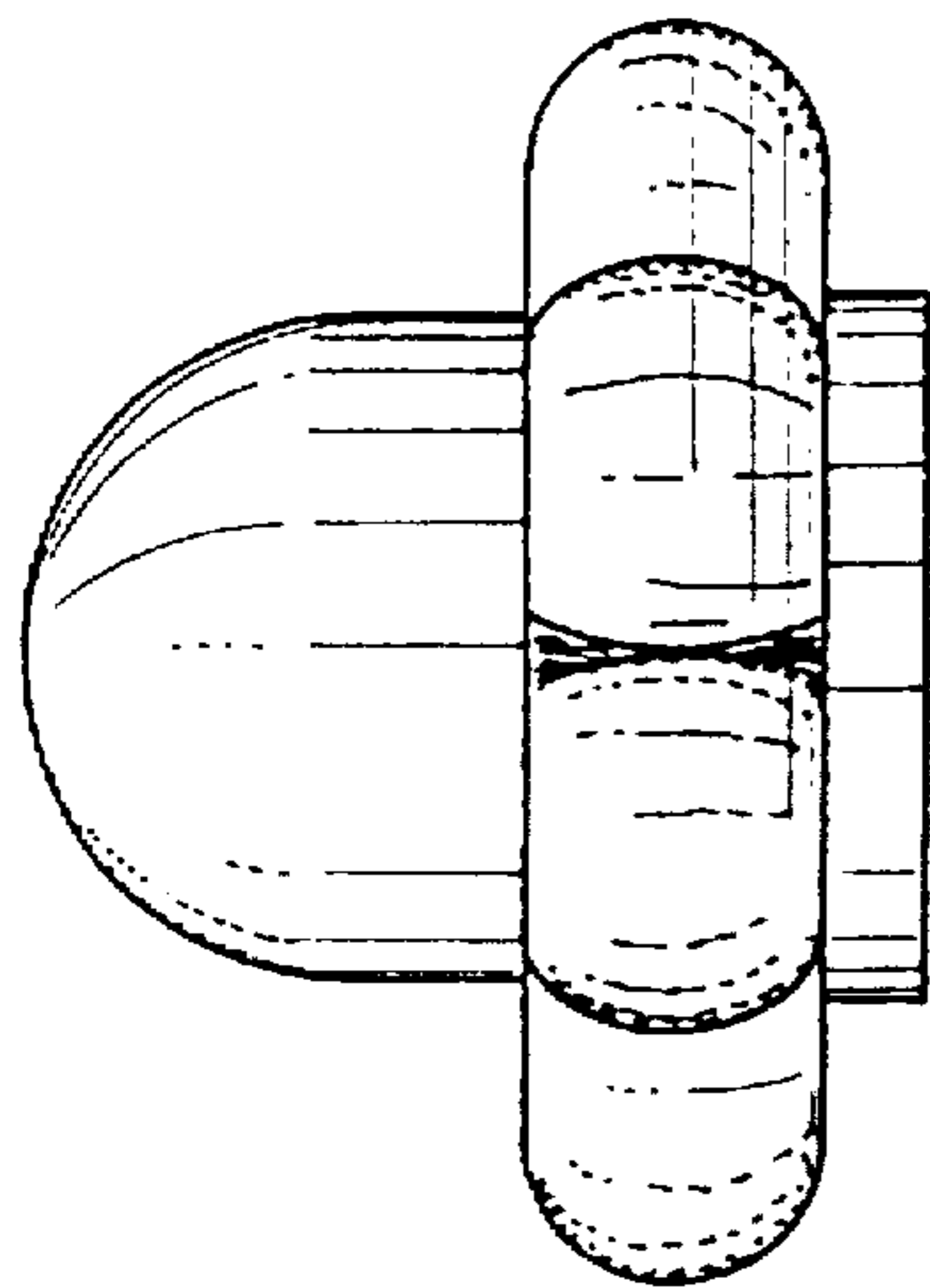


Fig. 3

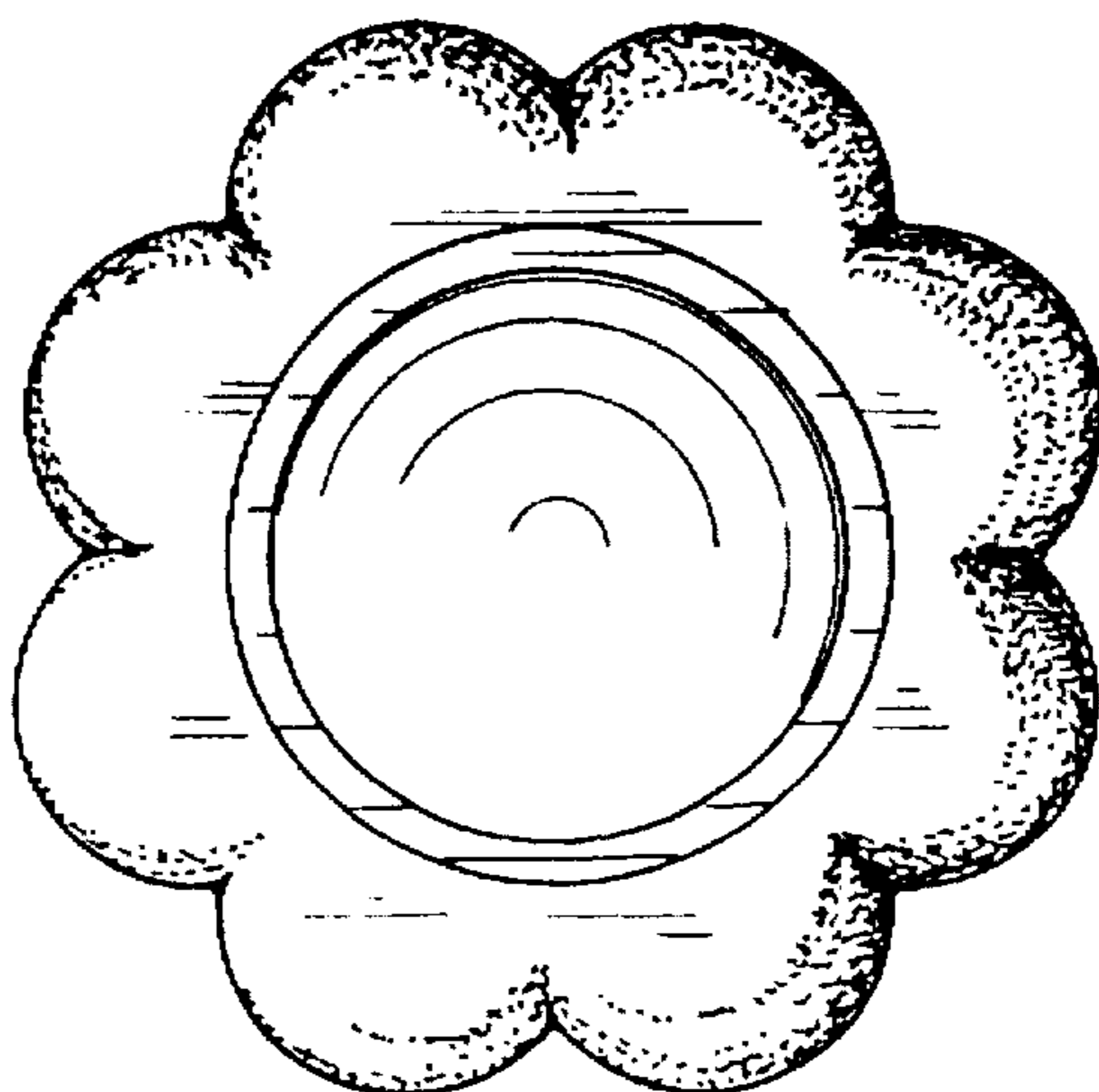


Fig. 8

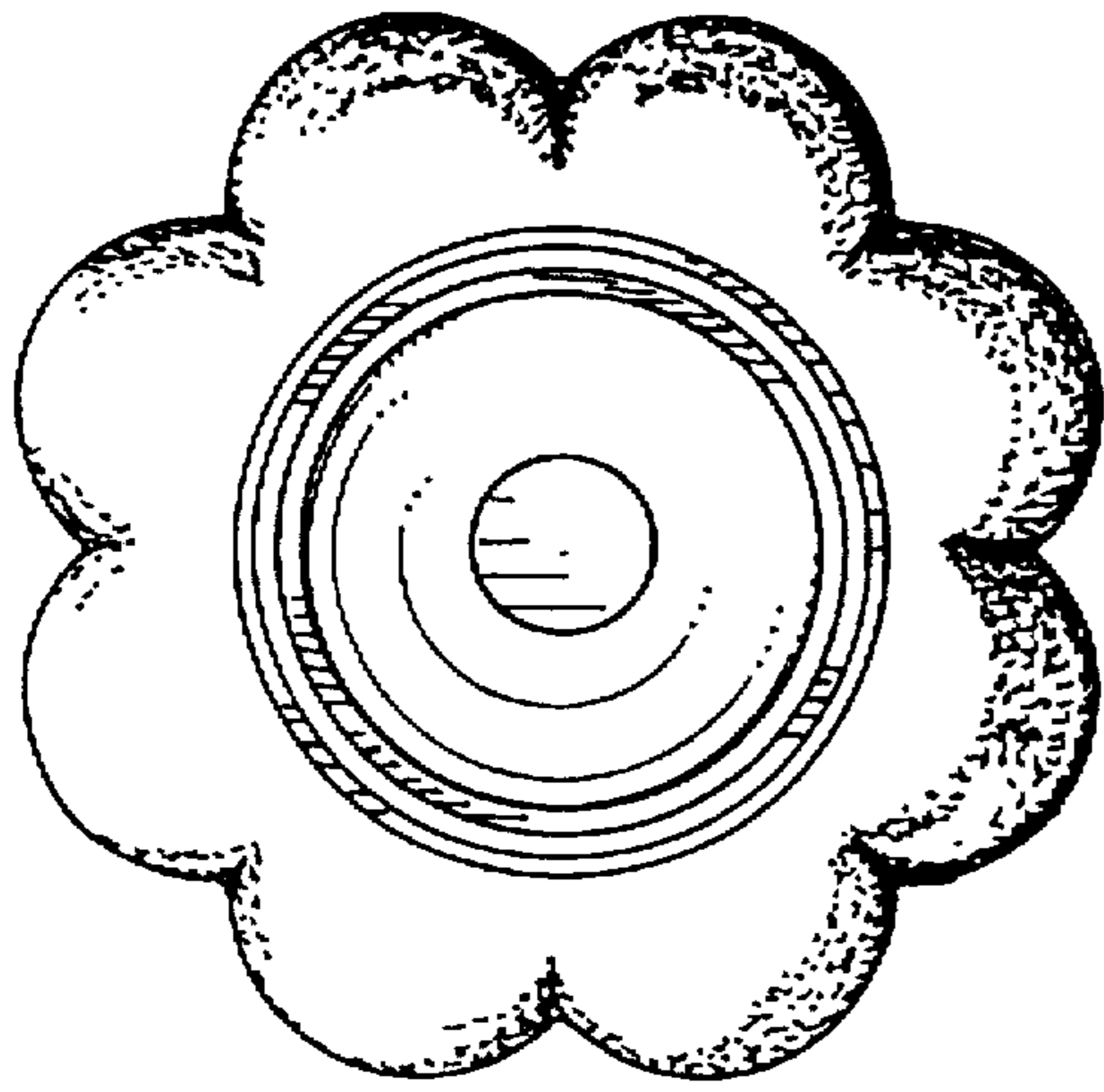


Fig. 7

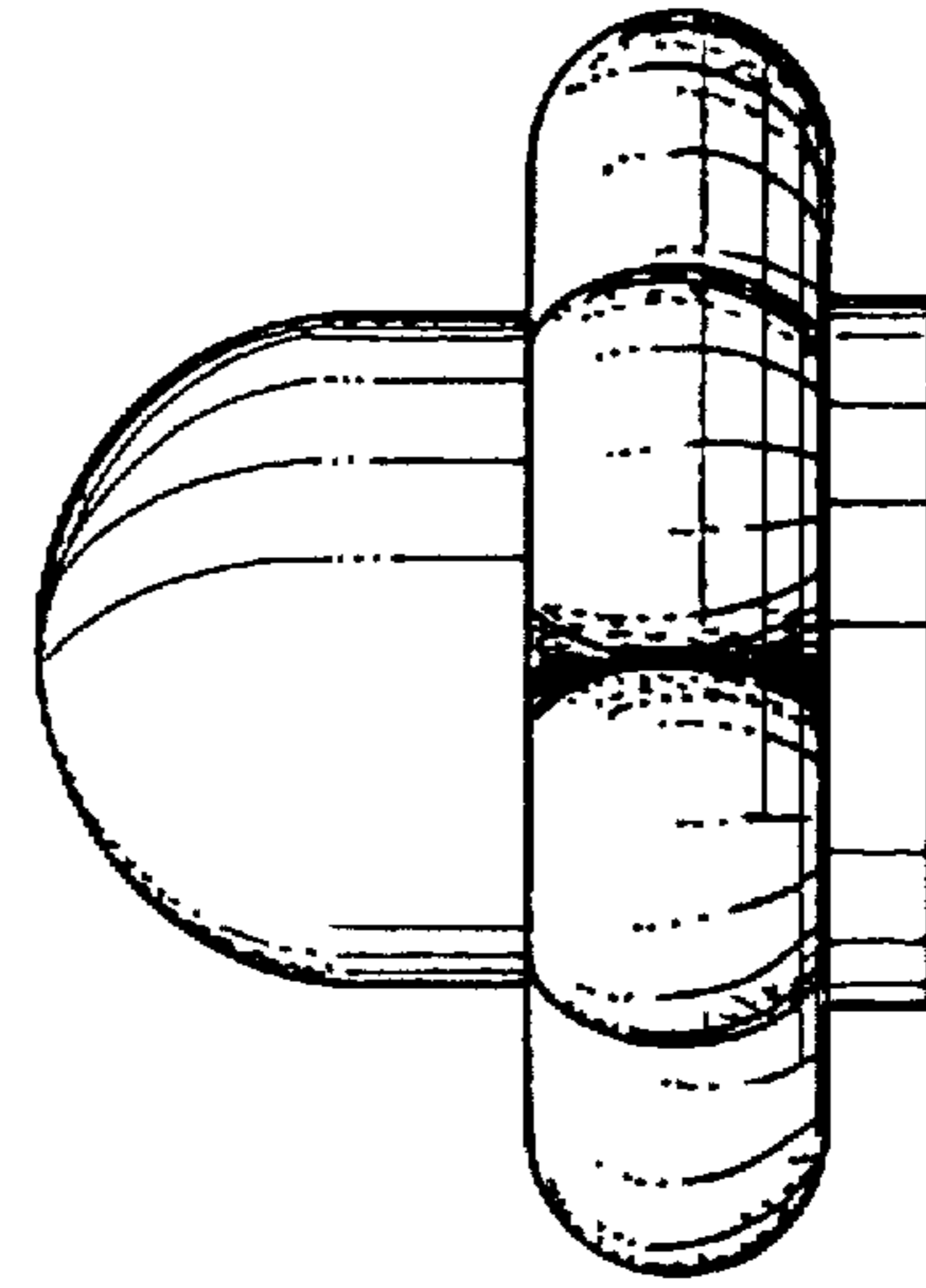


Fig. 6

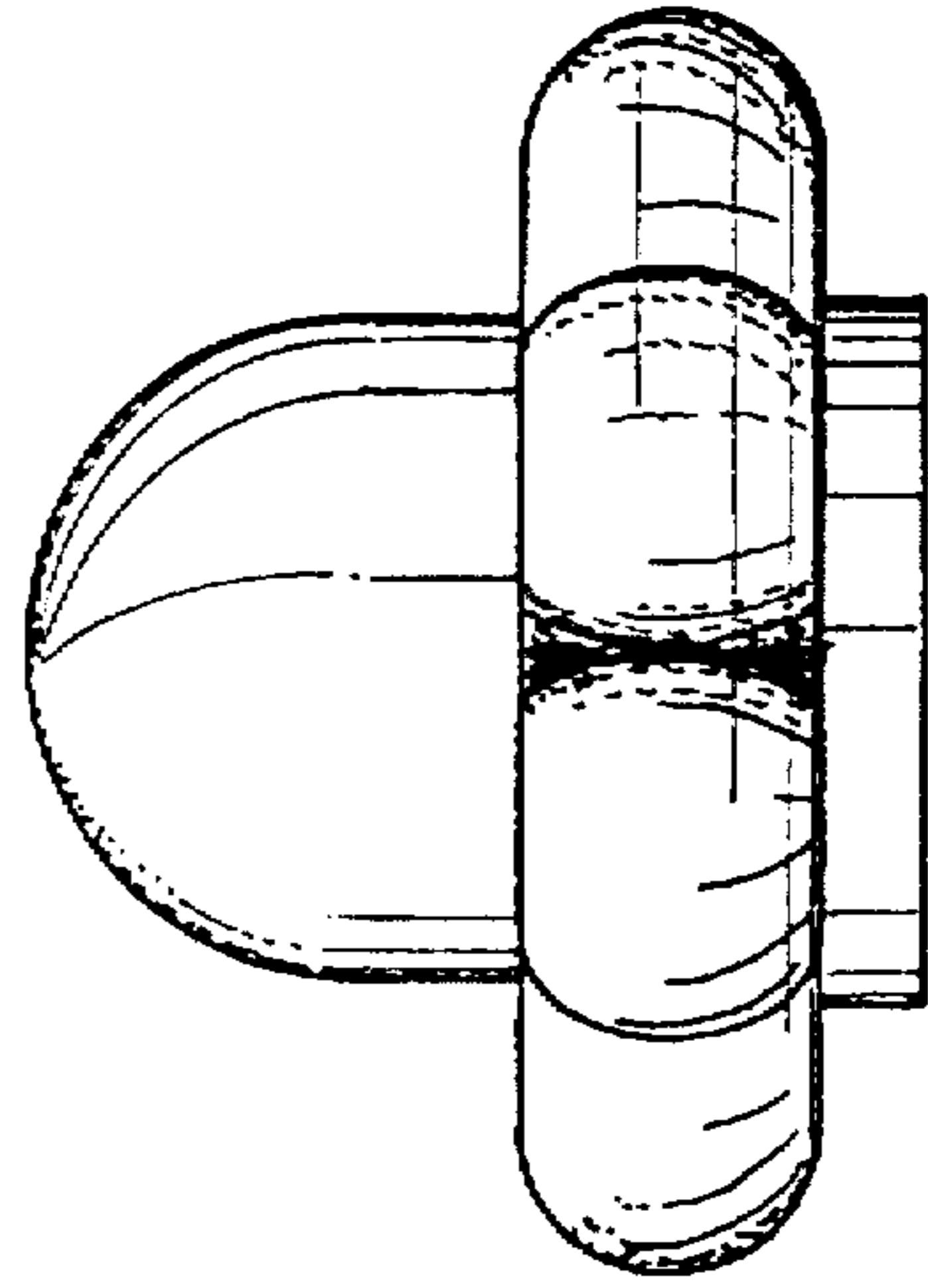


Fig. 5