



US00D395925S

# United States Patent [19] Wai

[11] Patent Number: **Des. 395,925**  
[45] Date of Patent: **\*\*Jul. 7, 1998**

[54] **ELECTRONIC GAME**  
[75] Inventor: **Wong Kwok Wai**, Kowloon, Hong Kong  
[73] Assignee: **S. R. Mickelberg Company, Inc.**, Jenkintown, Pa.  
[\*\*] Term: **14 Years**  
[21] Appl. No.: **69,360**  
[22] Filed: **Apr. 7, 1997**  
[51] LOC (6) Cl. .... **21-01**  
[52] U.S. Cl. .... **D21/13**  
[58] Field of Search ..... **D21/1, 13, 48; 463/1, 30-35, 40-47**

5,161,803 11/1992 Ohara ..... 463/44  
5,213,327 5/1993 Kitaue ..... 463/47 X  
5,351,966 10/1994 Tohyama et al. .... 463/34 X

### OTHER PUBLICATIONS

Panel of box for Light Doodler light toy, published by Hoffman Products Int'l in Oct. 1996.

*Primary Examiner*—Prabhakar G. Deshmukh  
*Attorney, Agent, or Firm*—Caesar, Rivise, Bernstein, Cohen & Pokotilow, Ltd.

### [57] CLAIM

The ornamental design for electronic game, as shown and described.

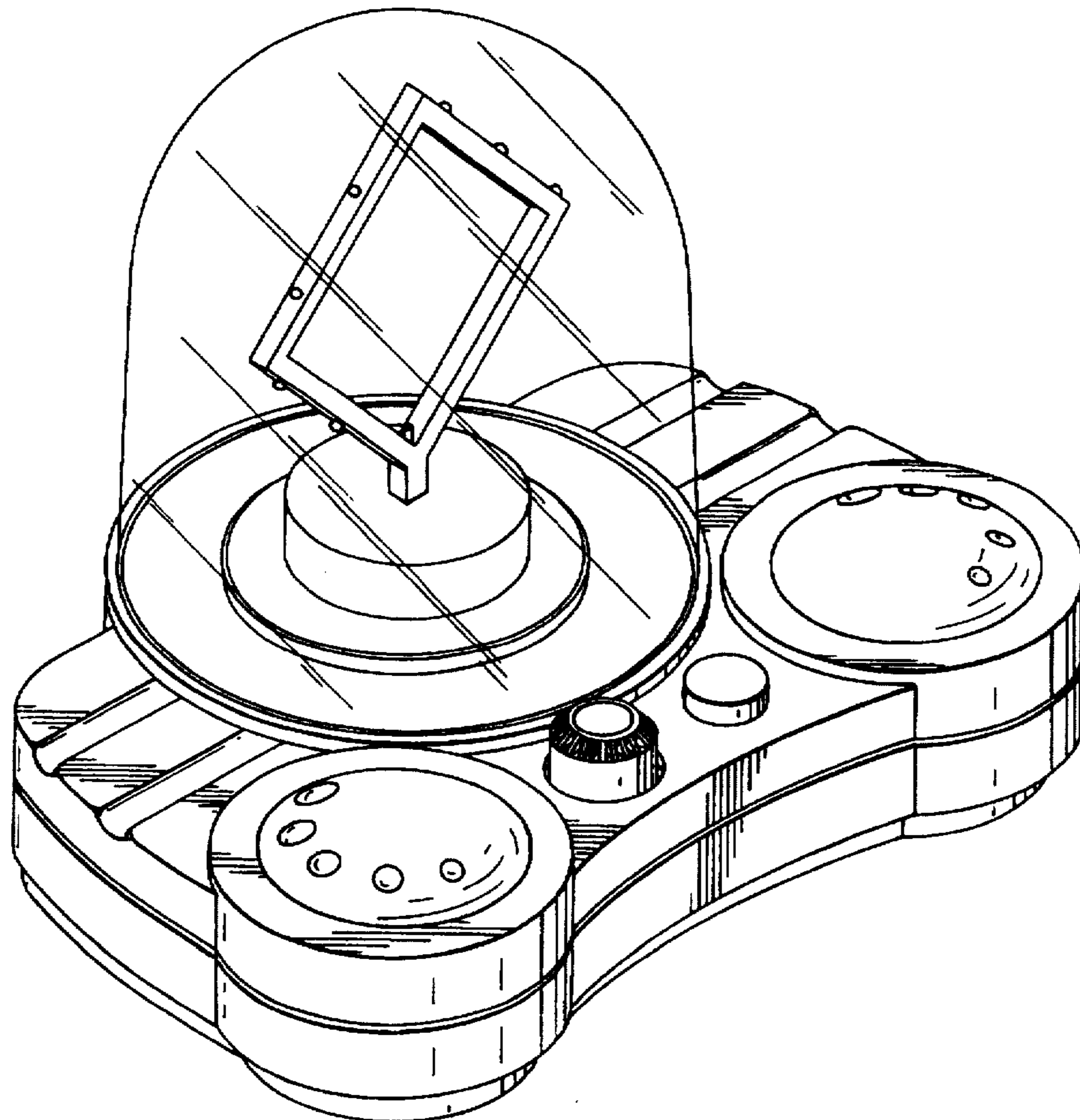
### DESCRIPTION

FIG. 1 is a left, front and top perspective view of electronic game, showing my new design;  
FIG. 2 is a top plan view thereof;  
FIG. 3 is a front elevational view thereof;  
FIG. 4 is a bottom plan view thereof;  
FIG. 5 is a rear elevational view thereof;  
FIG. 6 is a left side elevational view thereof; and  
FIG. 7 is a right side elevational view thereof.

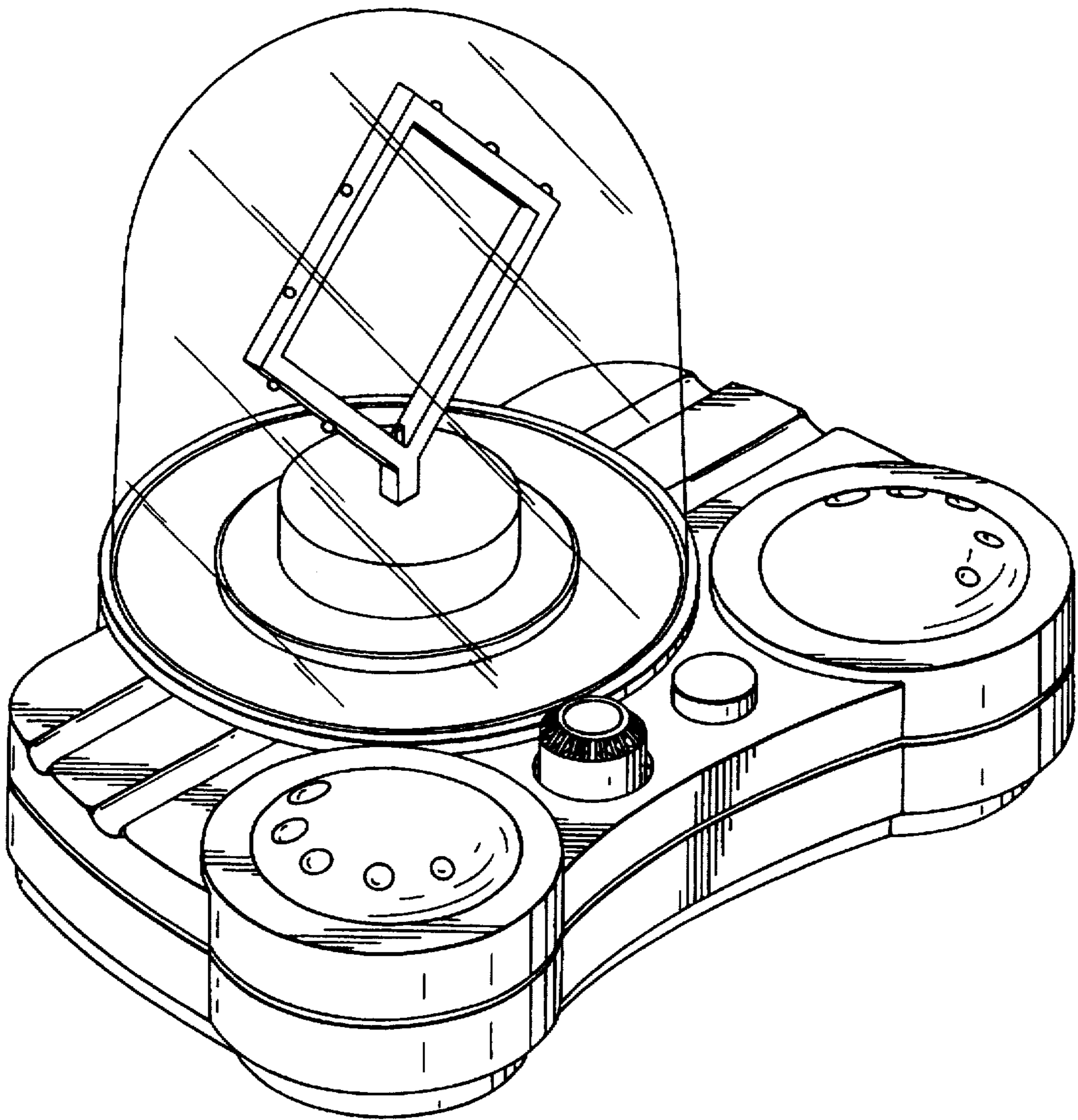
**1 Claim, 4 Drawing Sheets**

### [56] References Cited U.S. PATENT DOCUMENTS

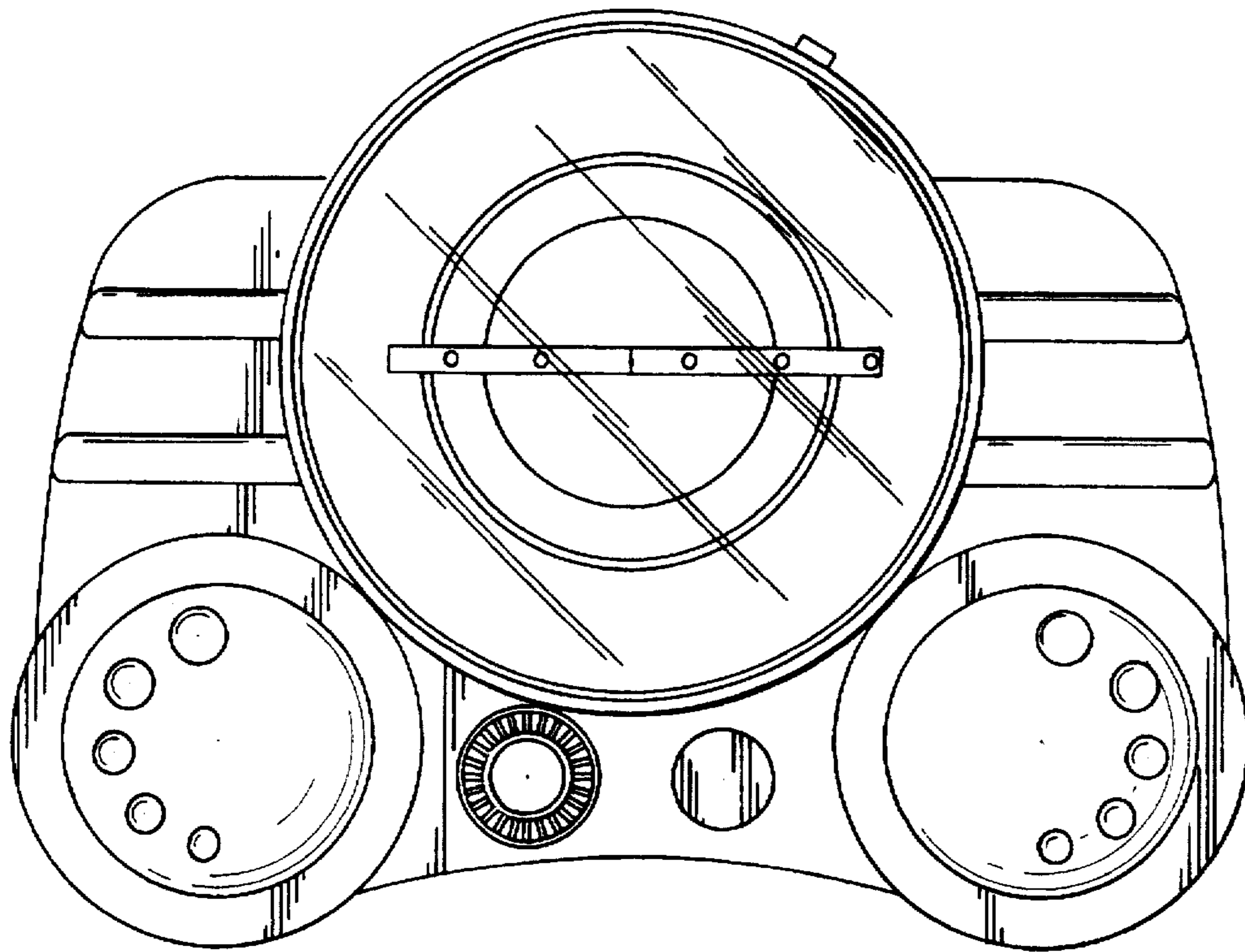
D. 270,075 8/1983 Tsuyuki ..... D21/13  
D. 334,414 3/1993 Kitaue ..... D21/13  
D. 358,430 5/1995 Rissman et al. .... D21/13  
D. 378,677 4/1997 Matsumoto et al. .... D21/13 X  
D. 379,832 6/1997 Ashida ..... D21/48  
4,976,438 12/1990 Tashiro et al. .... 463/34



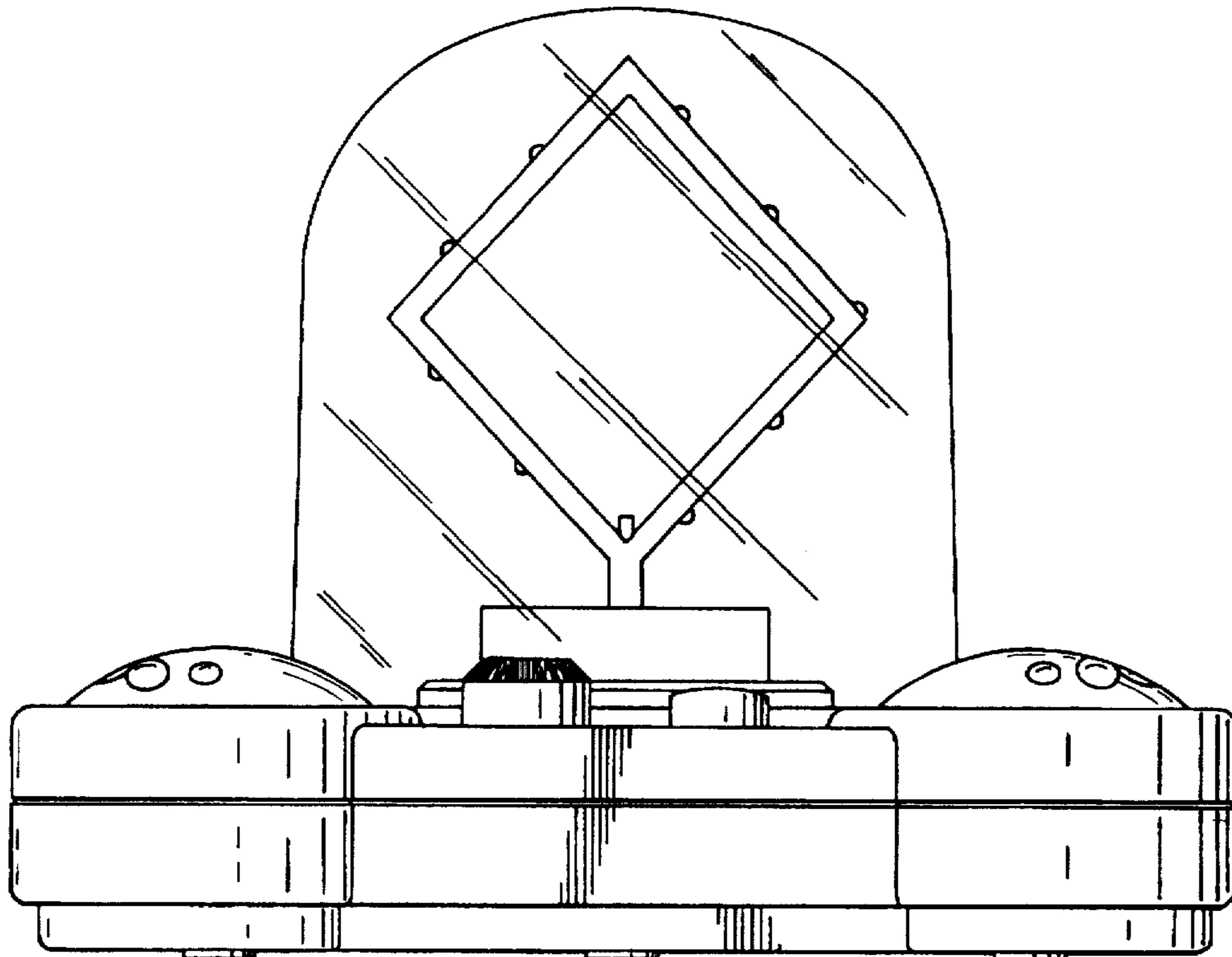
*FIG. 1*



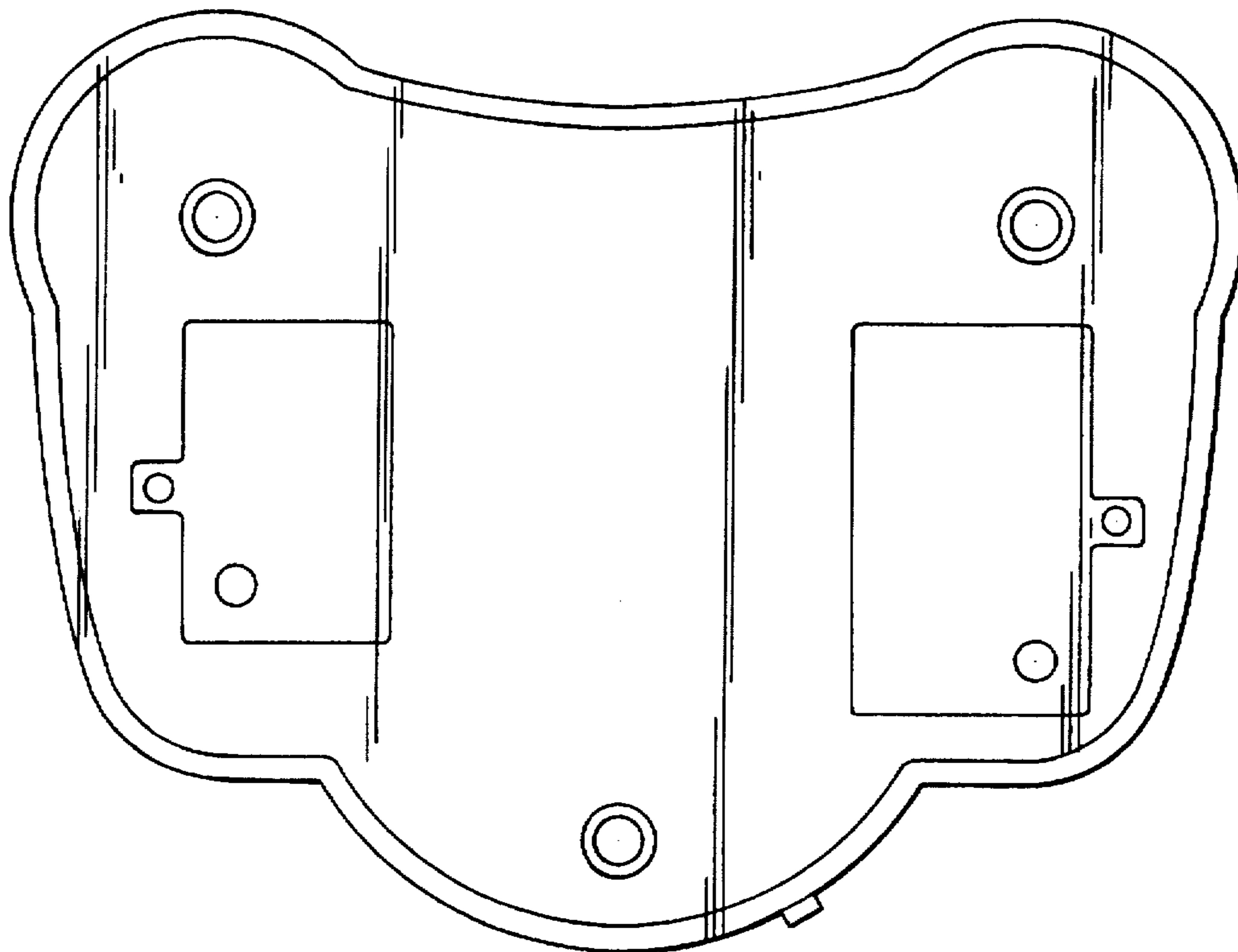
**FIG. 2**



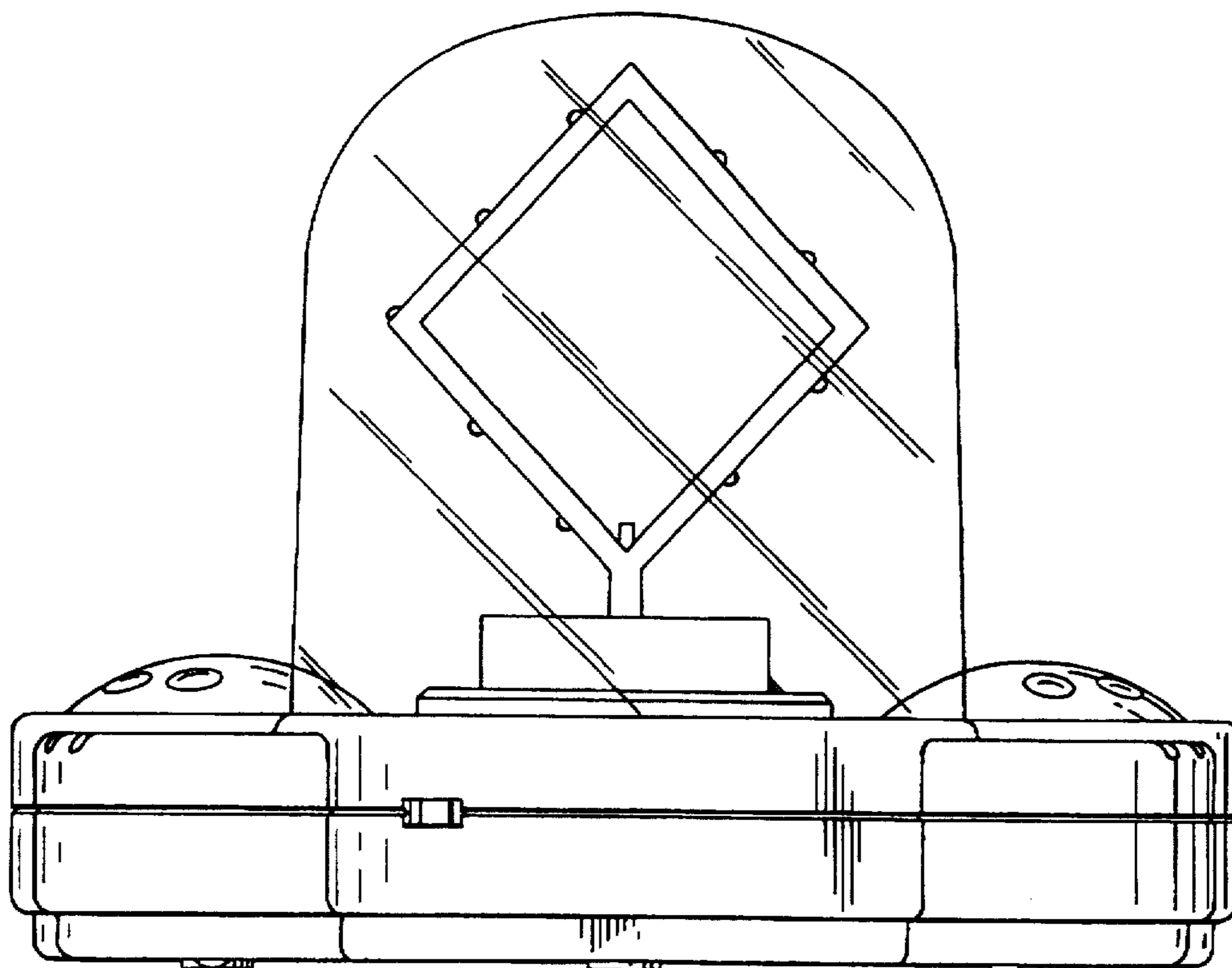
**FIG. 3**



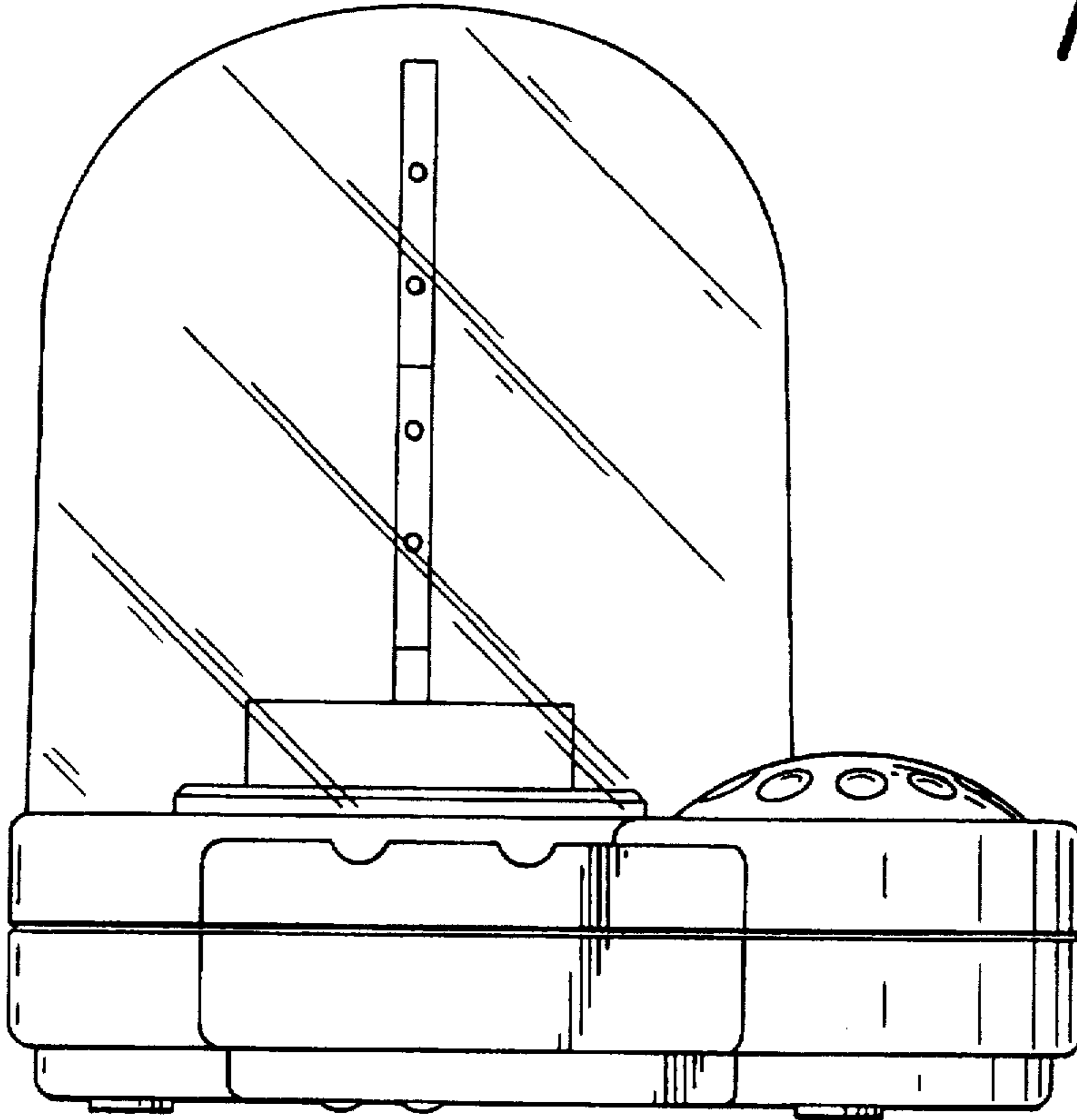
**FIG. 4**



**FIG. 5**



**FIG. 6**



**FIG. 7**

