



US00D395913S

United States Patent [19] Schaub

[11] Patent Number: **Des. 395,913**
[45] Date of Patent: ****Jul. 7, 1998**

[54] VIOLIN

[76] Inventor: **Kuno Schaub**, 114, CH-4623
Neudendorf, Switzerland

[**] Term: **14 Years**

[21] Appl. No.: **69,555**

[22] Filed: **Apr. 28, 1997**

[51] LOC (6) Cl. **17-03**

[52] U.S. Cl. **D17/17**

[58] Field of Search D17/14, 17, 18,
D17/19, 20; 84/274-277, 267, 291, 293

[56] **References Cited**

U.S. PATENT DOCUMENTS

D. 249,387	9/1978	Hart	D17/17
D. 312,473	11/1990	Ross	D17/17
1,841,397	1/1932	Bergh	84/275
3,853,032	12/1974	Freeman	84/275
5,191,159	3/1993	Jordan	84/274

Primary Examiner—Philip S. Hyder
Assistant Examiner—Adir Aronovich
Attorney, Agent, or Firm—Longacre & White

[57] **CLAIM**

The ornamental design for a violin, as shown and described.

DESCRIPTION

FIG. 1 is a front perspective view of the violin according to the present invention;

FIG. 2 is a rear perspective view of the violin as shown in FIG. 1;

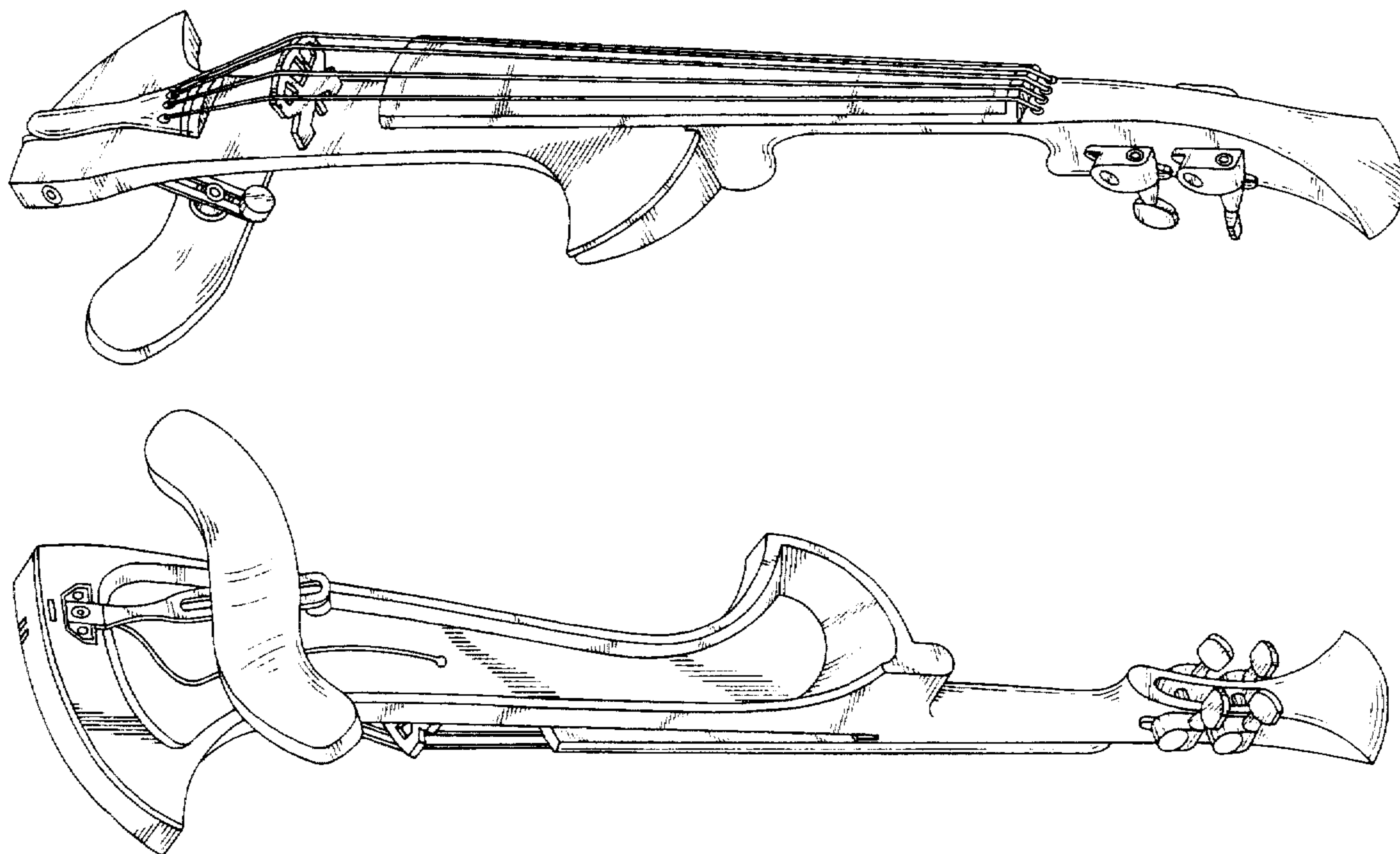
FIG. 3 is a right side elevational view of the violin as shown in FIG. 1;

FIG. 4 is a left side elevational view of the violin as shown in FIG. 1;

FIG. 5 is a bottom plan view of the violin as shown in FIG. 1; and

FIG. 6 is a top plan view of the violin as shown in FIG. 1.

1 Claim, 3 Drawing Sheets



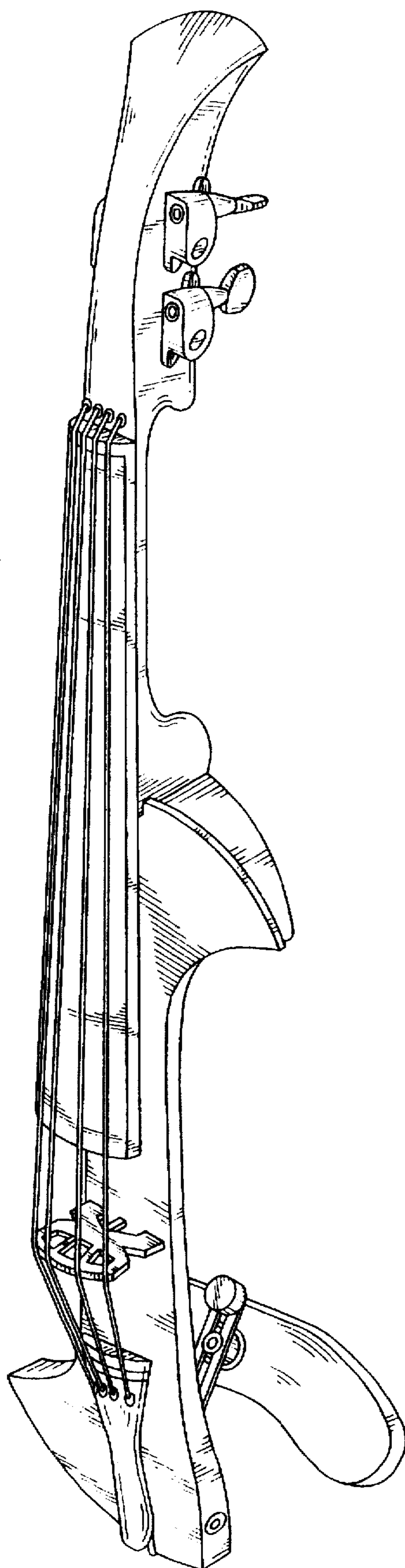


FIG. 1

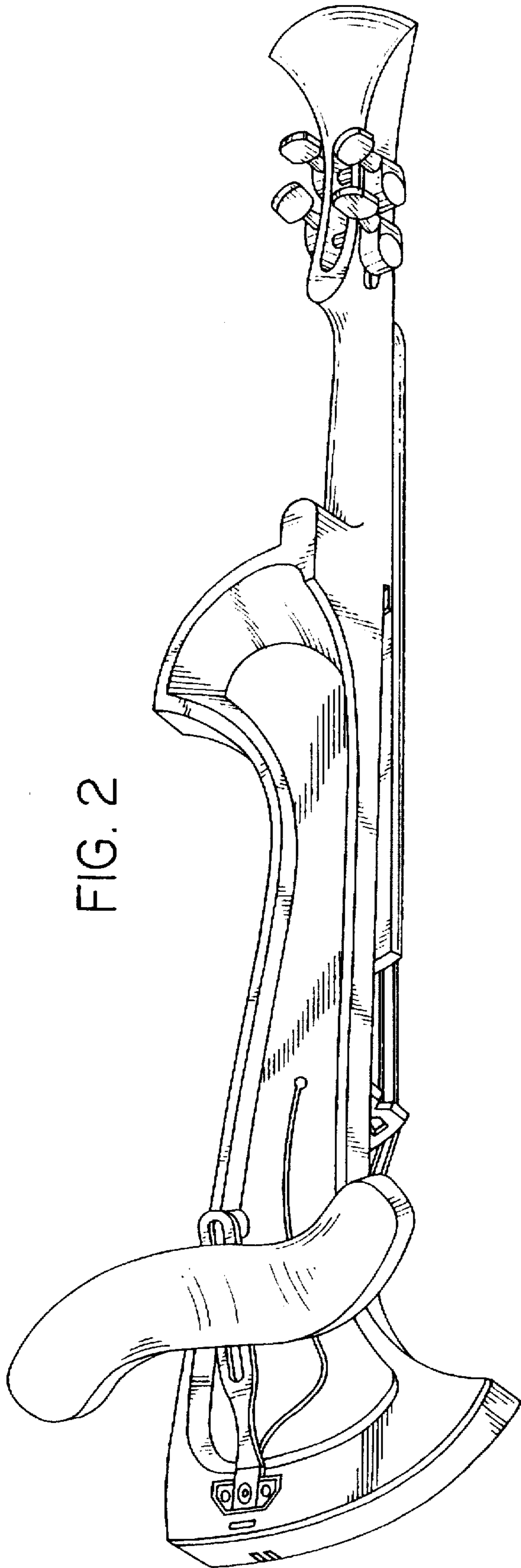


FIG. 2

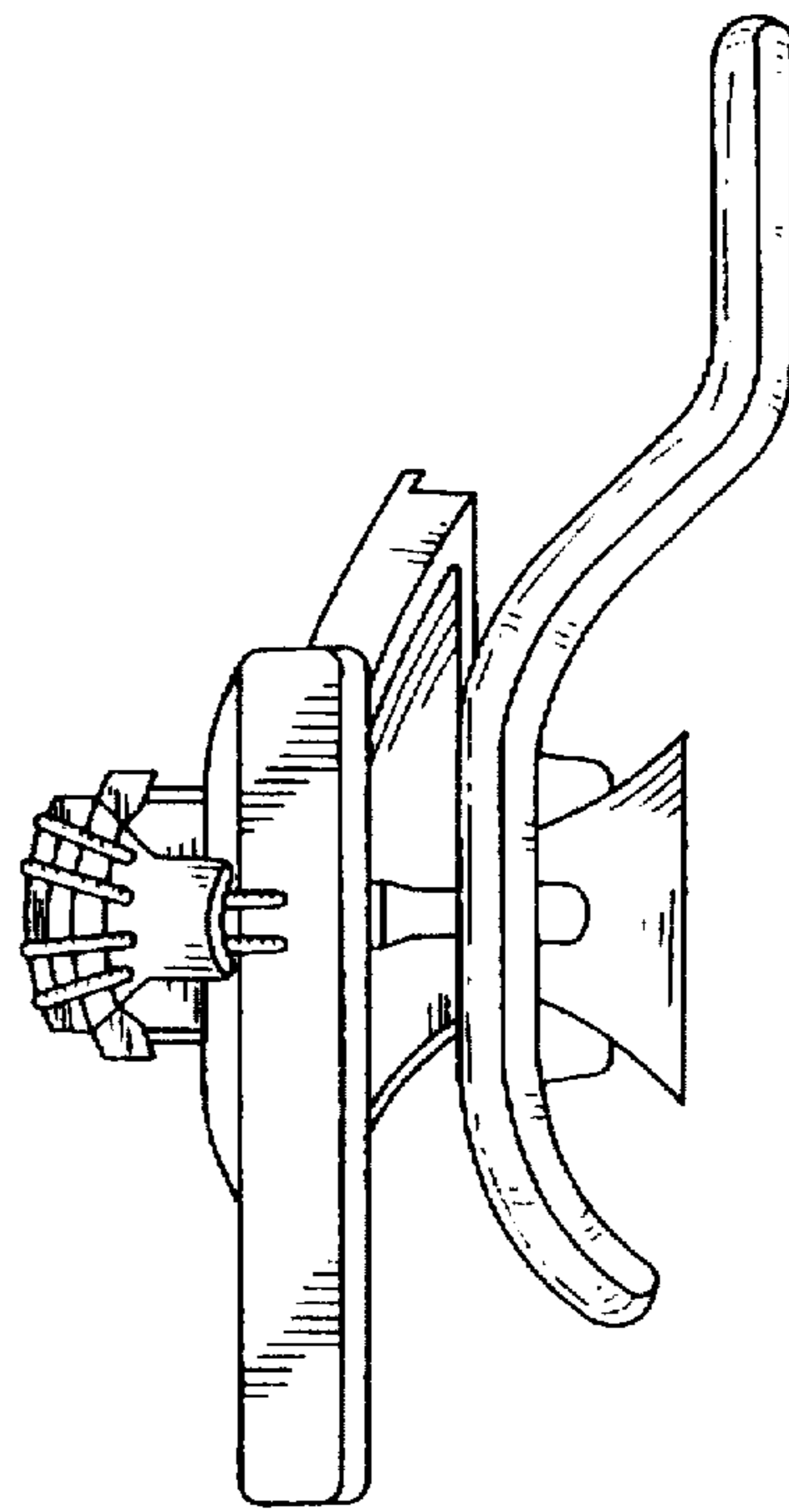


FIG. 5

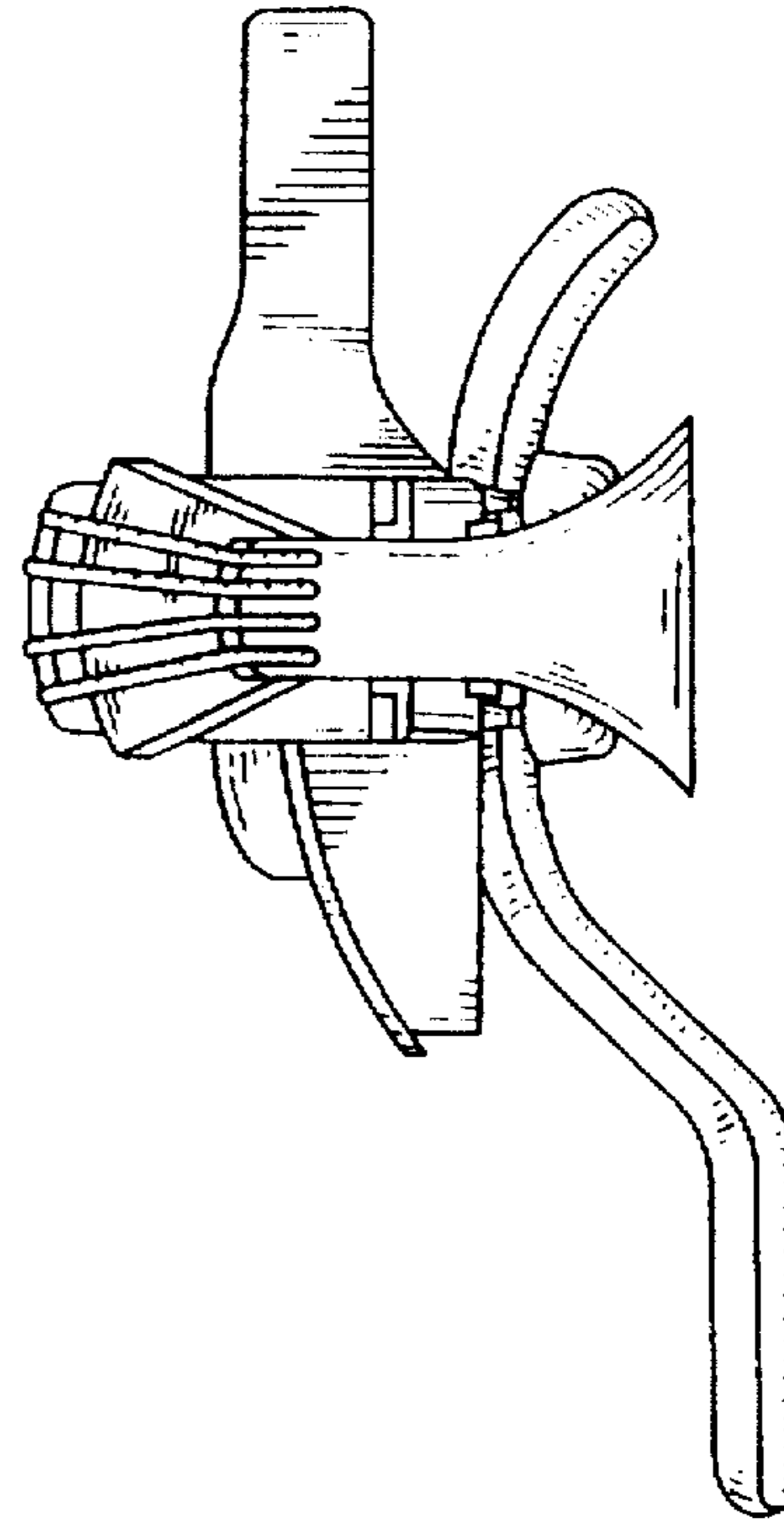


FIG. 6

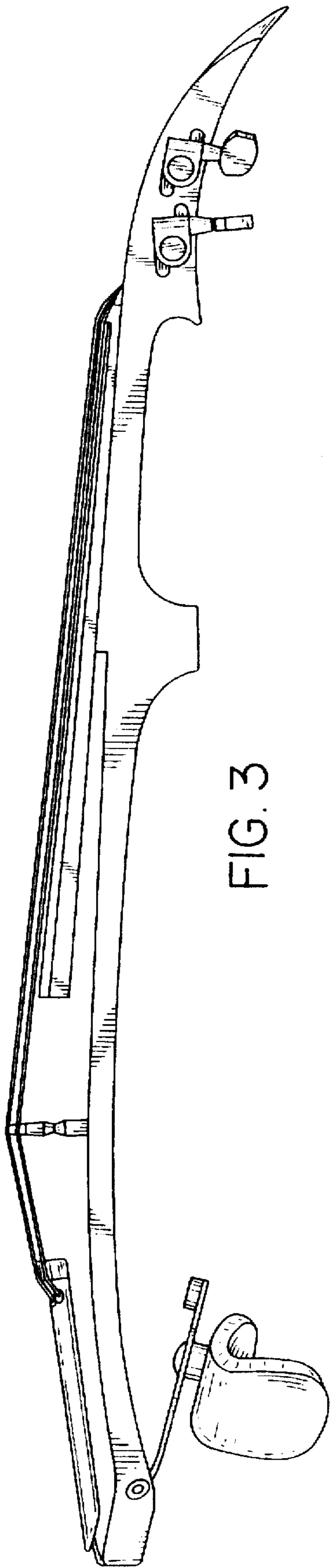


FIG. 3

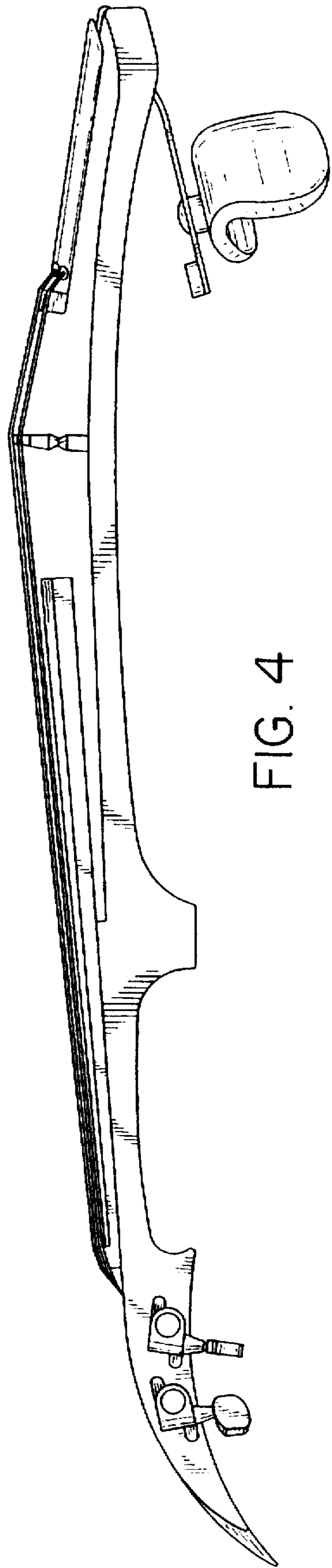


FIG. 4