



US00D395912S

United States Patent [19]
Schaub

[11] **Patent Number:** **Des. 395,912**
[45] **Date of Patent:** ****Jul. 7, 1998**

[54] **CELLO**

[76] **Inventor:** **Kuno Schaub**, 114, CH-4623
Neuendorf, Switzerland

[**] **Term:** **14 Years**

[21] **Appl. No.:** **69,554**

[22] **Filed:** **Apr. 28, 1997**

[51] **LOC (6) Cl.** **17-03**

[52] **U.S. Cl.** **D17/14; D17/17**

[58] **Field of Search** **D17/14, 17, 18,**
D17/19, 20; 84/274-277, 267, 291, 293,
314 R

[56] **References Cited**

U.S. PATENT DOCUMENTS

D. 301,251	5/1989	Nussbaum	D17/14
D. 360,219	7/1995	McCann	D17/14
4,632,002	12/1986	Clevinger	D17/14
5,085,115	2/1992	Schlink	84/314 R

FOREIGN PATENT DOCUMENTS

2243239	10/1991	United Kingdom	84/722
---------	---------	----------------	-------	--------

OTHER PUBLICATIONS

The Music trades. (Collapsible cello) Sep. 1924.

Primary Examiner—Philip S. Hyder
Assistant Examiner—Adir Aronovich
Attorney, Agent, or Firm—Longacre & White

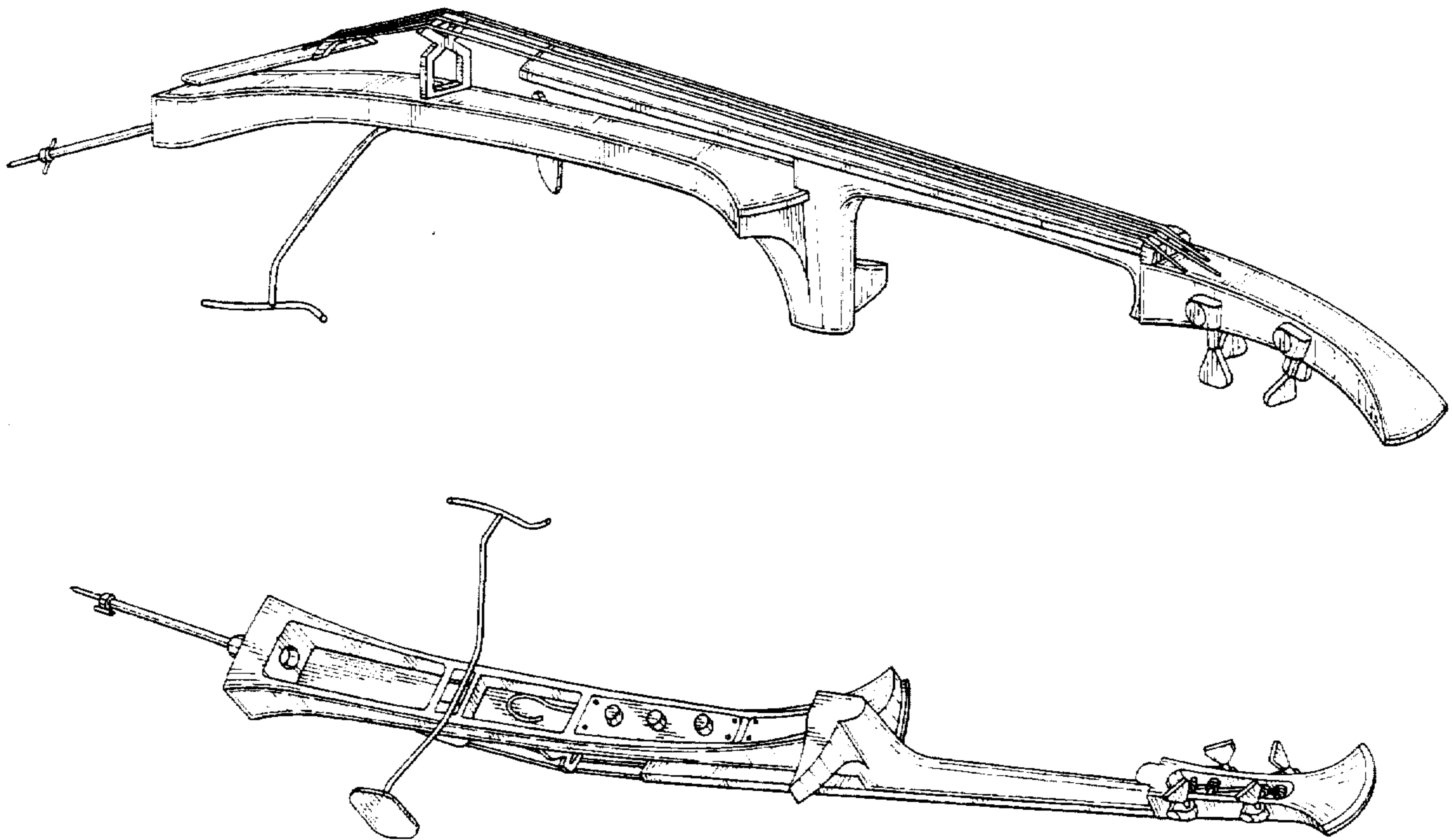
[57] **CLAIM**

The ornamental design for a cello, as shown and described.

DESCRIPTION

FIG. 1 is a front right perspective view of the cello according to the present invention;
FIG. 2 is a rear perspective view of the cello as shown in FIG. 1;
FIG. 3 is a right side elevational view of the cello as shown in FIG. 1;
FIG. 4 is a left side elevational view of the cello as shown in FIG. 1;
FIG. 5 is a bottom plan view of the cello as shown in FIG. 1; and,
FIG. 6 is a top plan view of the cello as shown in FIG. 1.

1 Claim, 3 Drawing Sheets



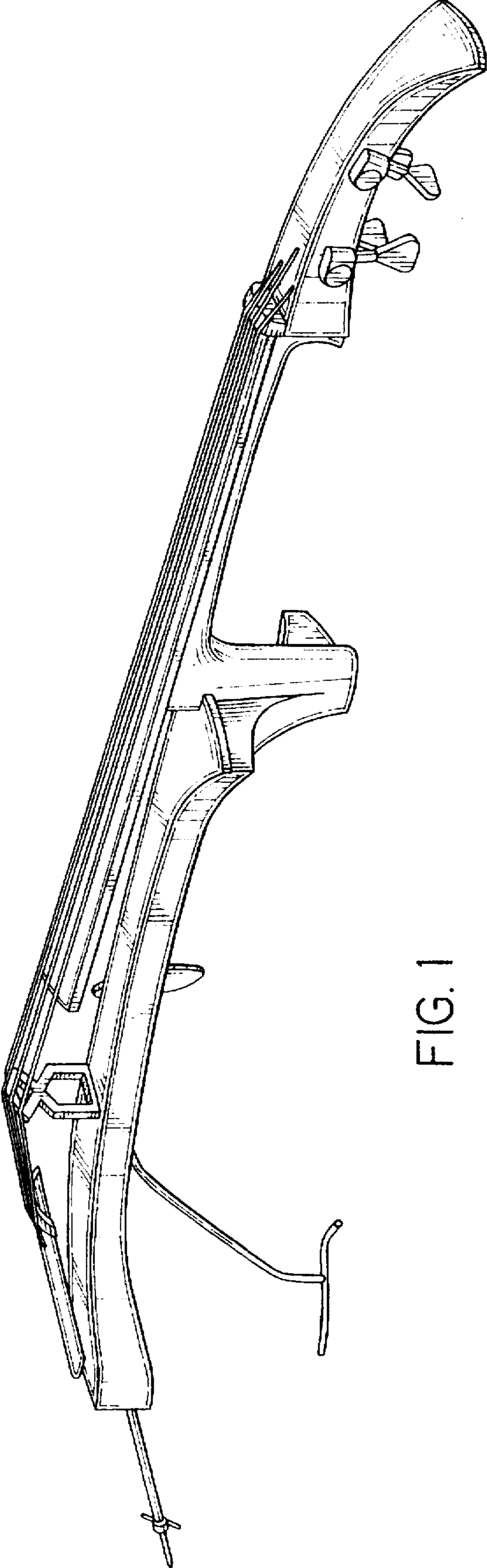


FIG. 1

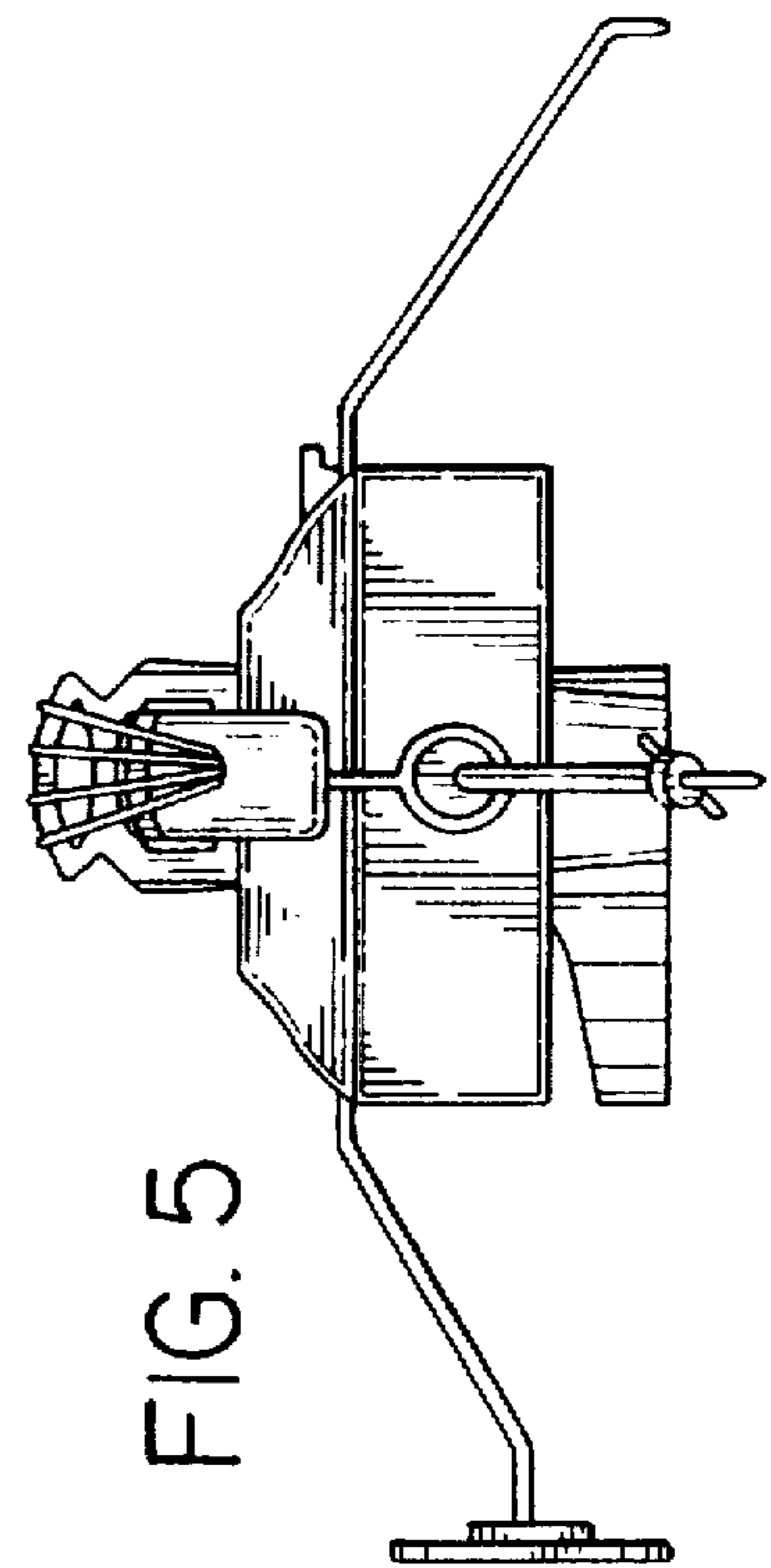
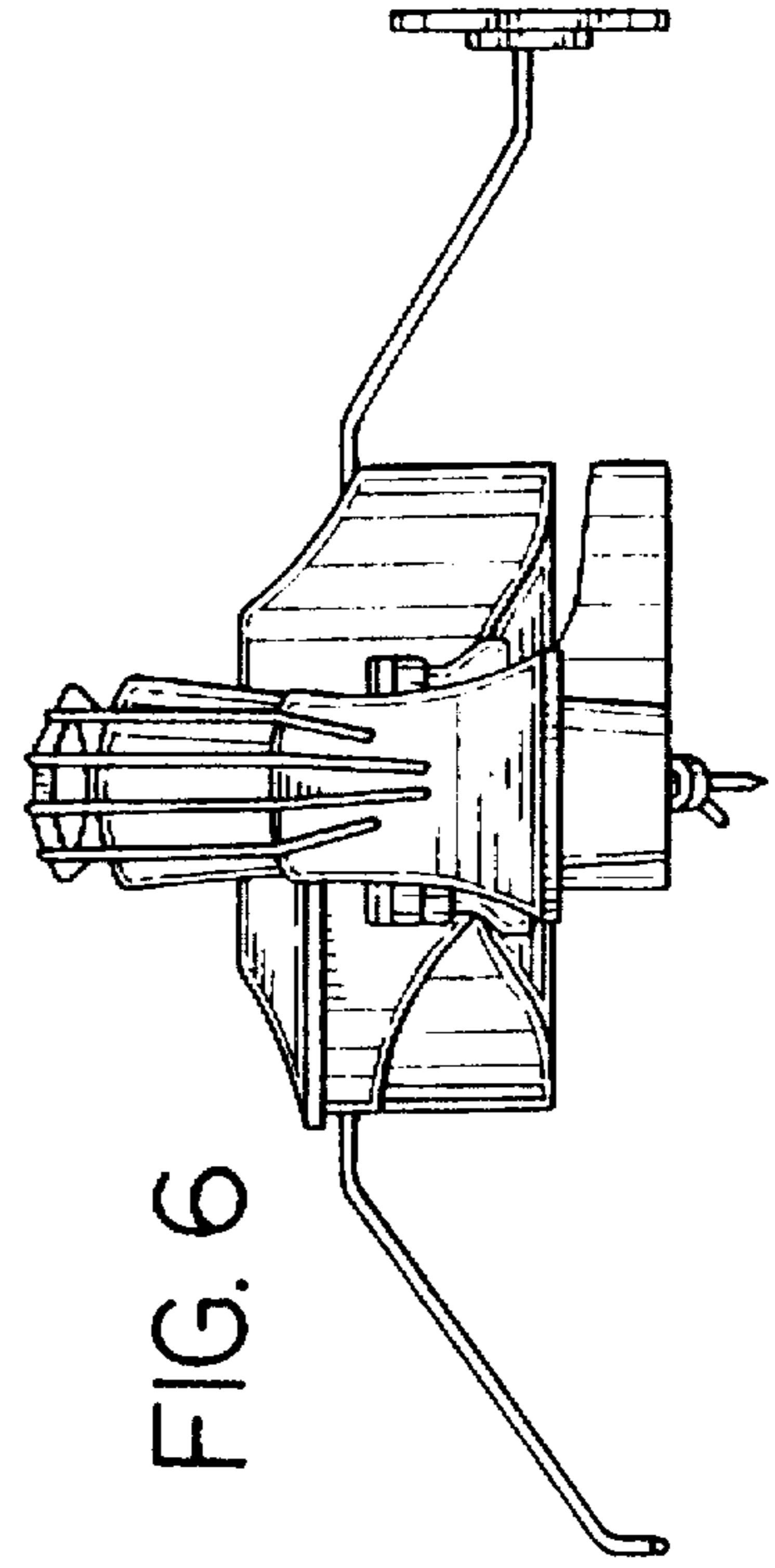
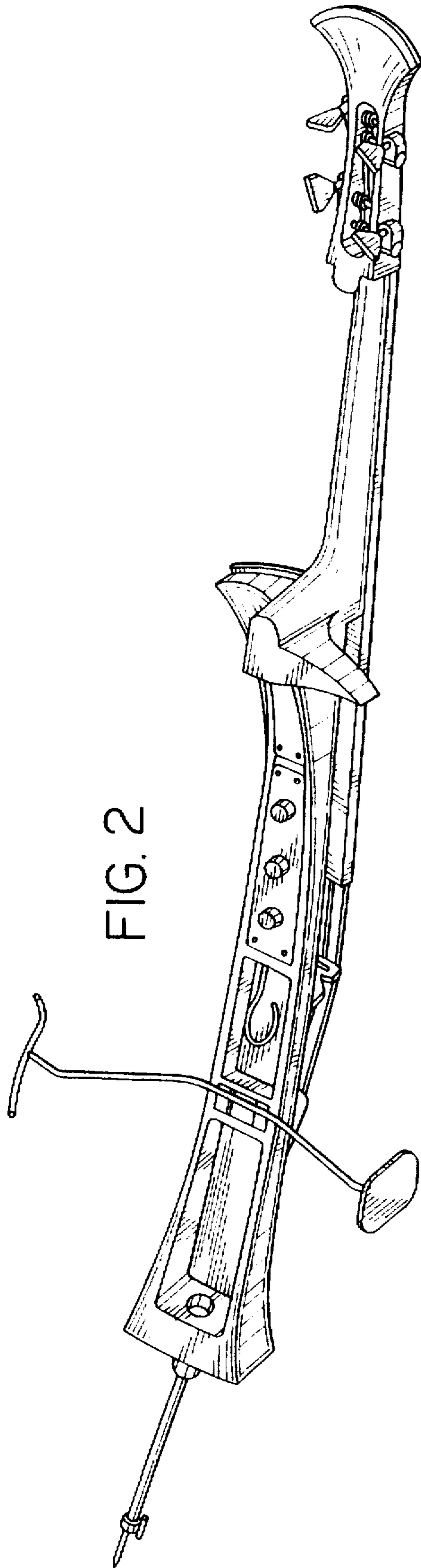


FIG. 3

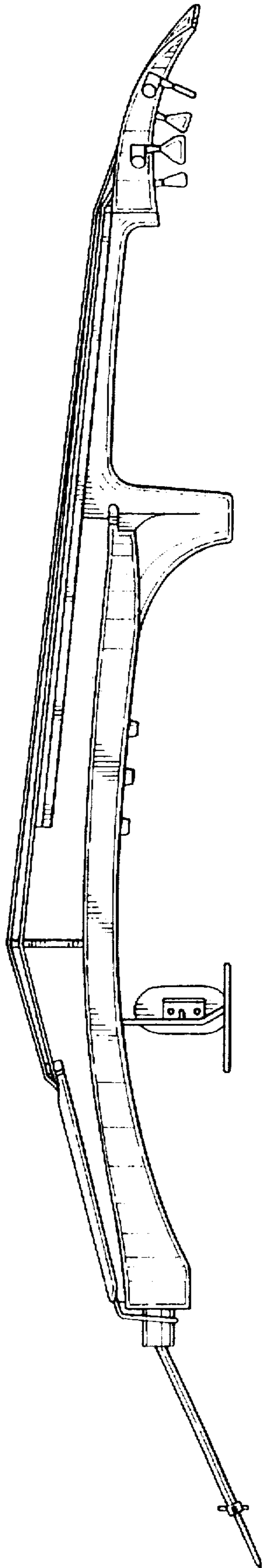


FIG. 4

