



US00D395906S

**United States Patent** [19]  
**Konno**

[11] **Patent Number: Des. 395,906**  
[45] **Date of Patent: \*\*Jul. 7, 1998**

[54] **BINOCULARS**

[75] Inventor: **Jun Konno**, Tokyo, Japan  
[73] Assignee: **Nikon Corporation**, Tokyo, Japan  
[\*\*] Term: **14 Years**

D. 364,631 11/1995 Hamamura ..... D16/133  
D. 376,165 12/1996 Takahashi ..... D16/133  
D. 376,167 12/1996 Hayamizu ..... D16/133  
D. 383,474 9/1997 Hashimoto ..... D16/133  
5,231,535 7/1993 Peters et al. .... 359/416 X

*Primary Examiner*—Paula A. Mortimer  
*Attorney, Agent, or Firm*—Oliff & Berridge, PLC

[21] Appl. No.: **71,870**  
[22] Filed: **Jun. 5, 1997**

[57] **CLAIM**

The ornamental design for binoculars, as shown and described.

[30] **Foreign Application Priority Data**

**DESCRIPTION**

Dec. 24, 1996 [JP] Japan ..... 8-38926

FIG. 1 is a top plan view of binoculars showing my new design;  
FIG. 2 is a front elevational view thereof;  
FIG. 3 is a bottom plan elevational view thereof;  
FIG. 4 is a rear elevational view thereof;  
FIG. 5 is a right side elevational view thereof;  
FIG. 6 is a left side elevational view thereof;  
FIG. 7 is a cross-section of a front view thereof taken along line A—A of FIG. 1; and  
FIG. 8 is a front perspective view thereof.

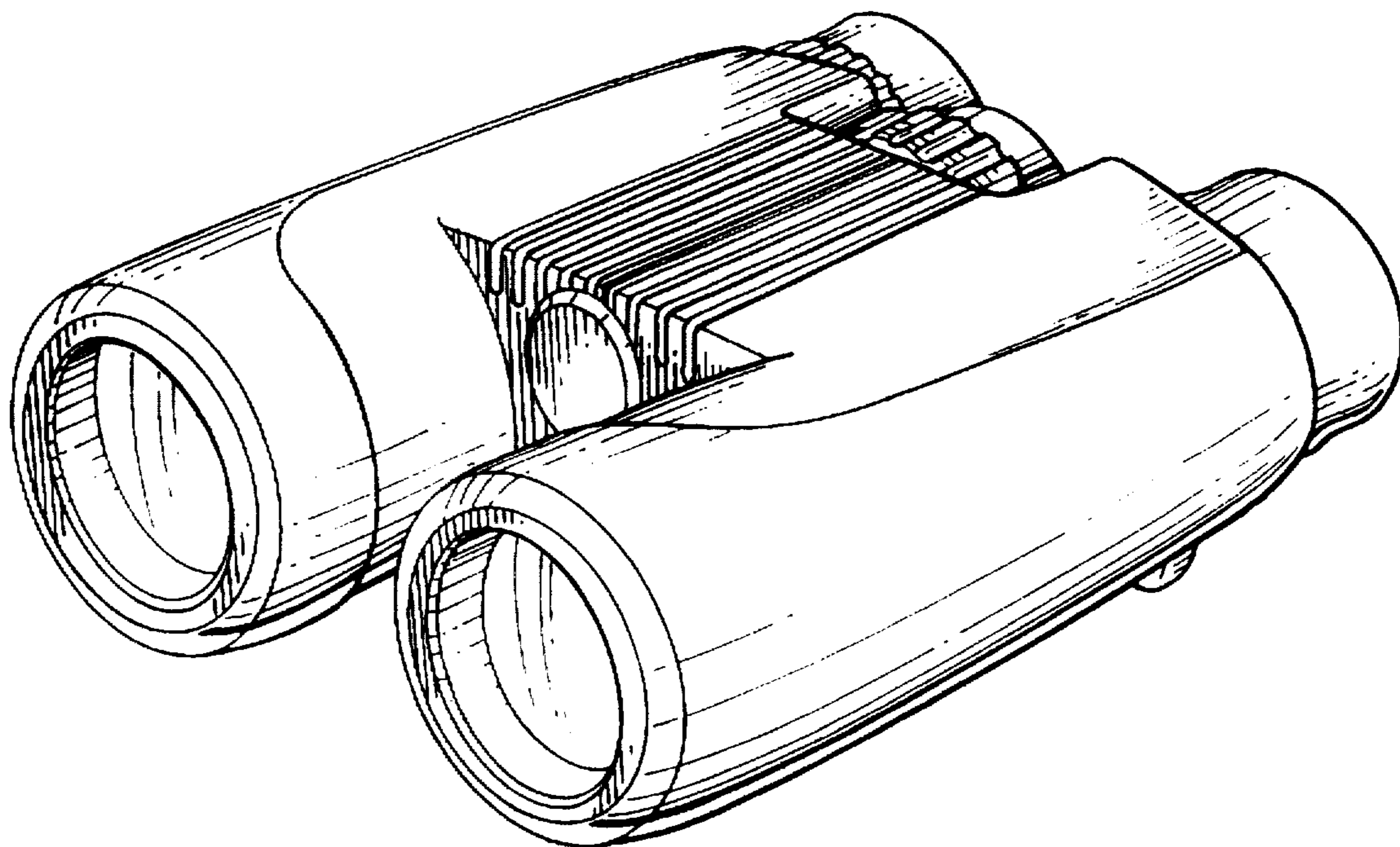
[51] **LOC (6) Cl.** ..... **16-06**  
[52] **U.S. Cl.** ..... **D16/133**  
[58] **Field of Search** ..... D16/130, 132,  
D16/133; 359/407, 408, 409, 410, 411,  
412, 413, 414, 415, 416, 417, 418

[56] **References Cited**

**U.S. PATENT DOCUMENTS**

D. 308,066 5/1990 Huckenbeck ..... D16/133  
D. 338,218 8/1993 Kung ..... D16/133  
D. 360,215 7/1995 Moro et al. .... D16/133

**1 Claim, 4 Drawing Sheets**



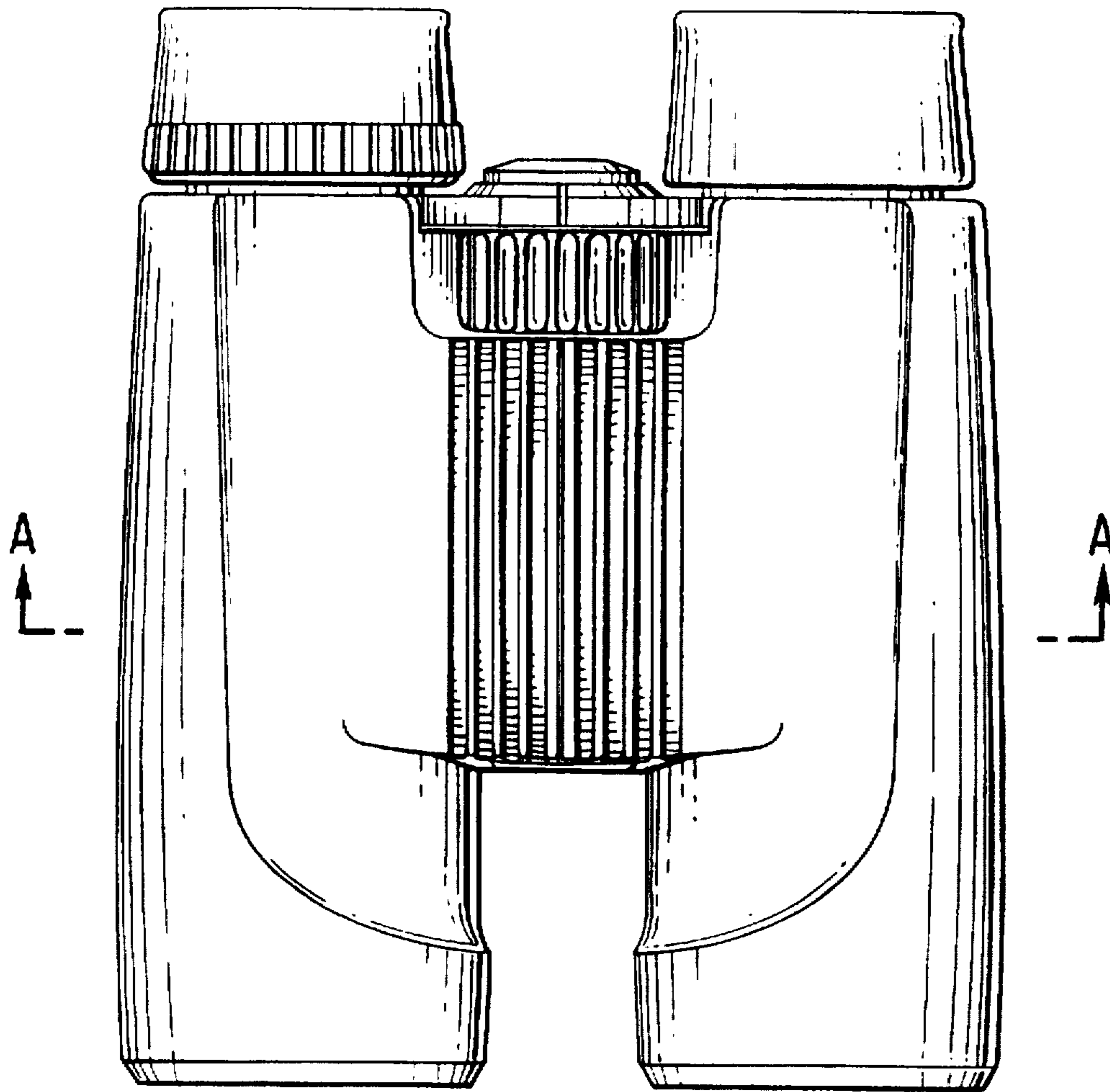


FIG. 1

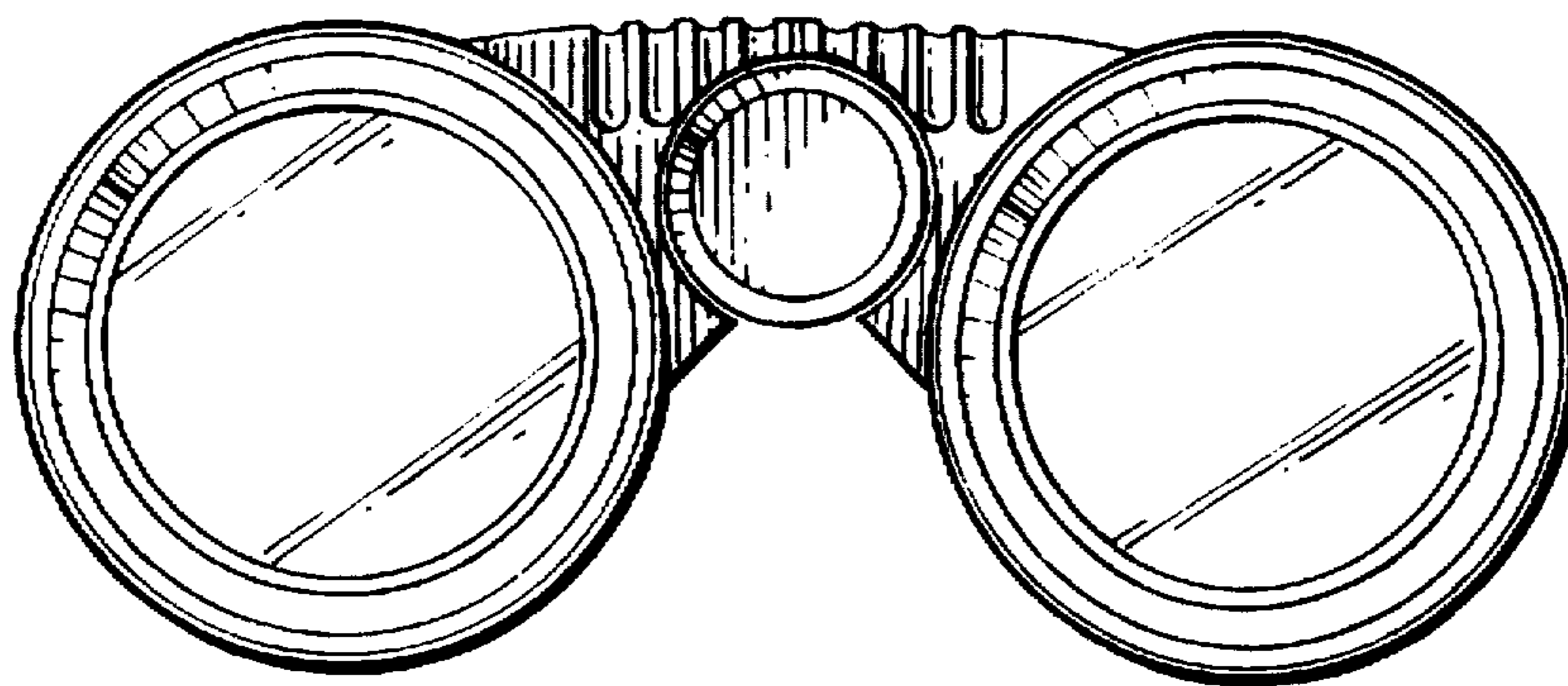


FIG. 2

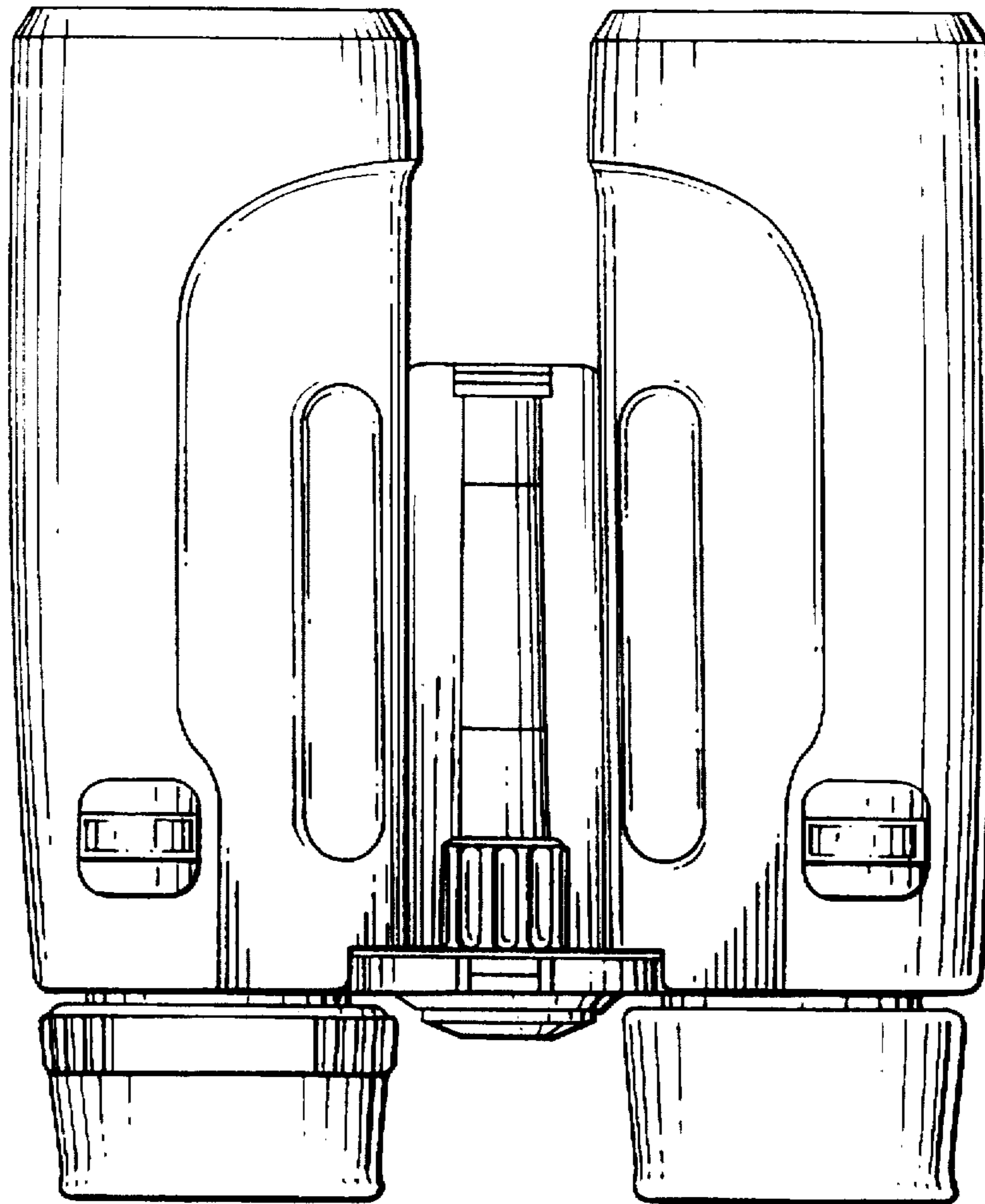


FIG. 3

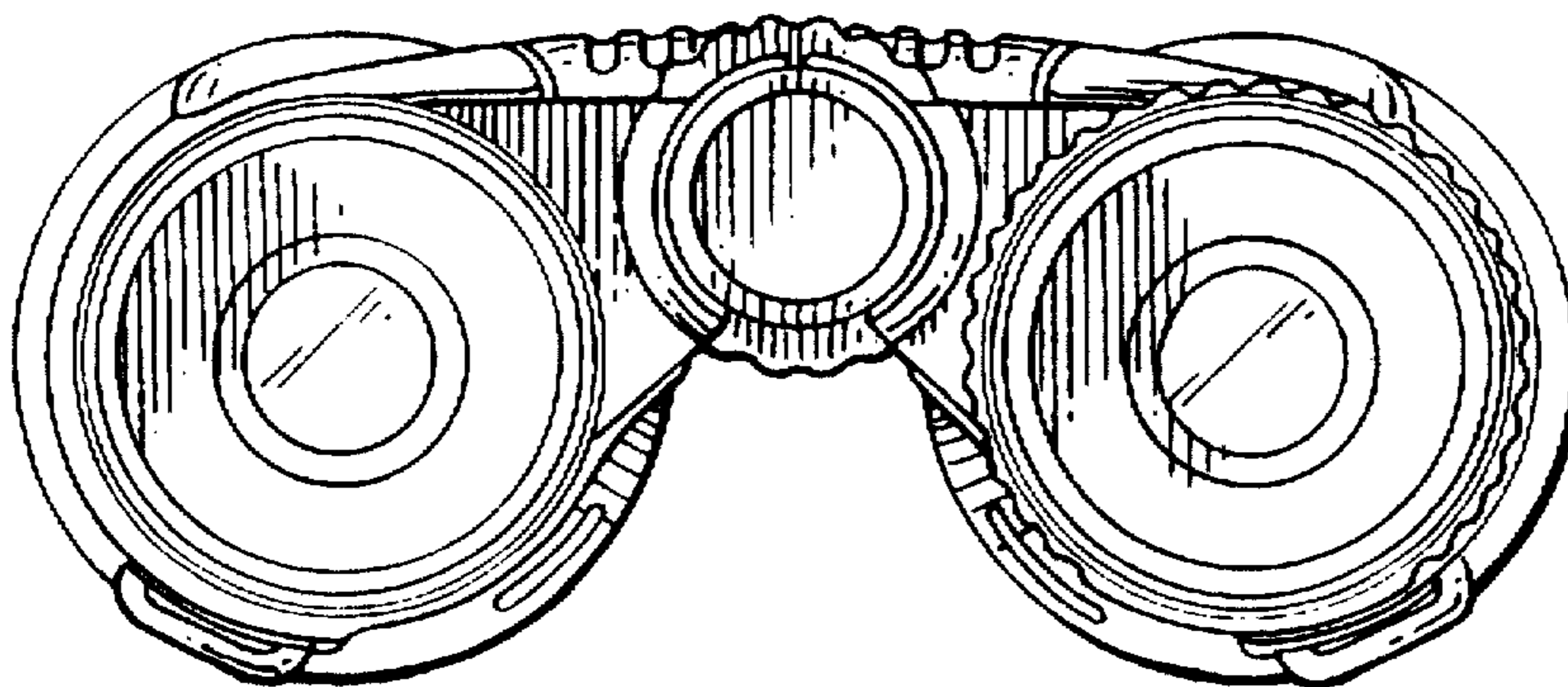


FIG. 4

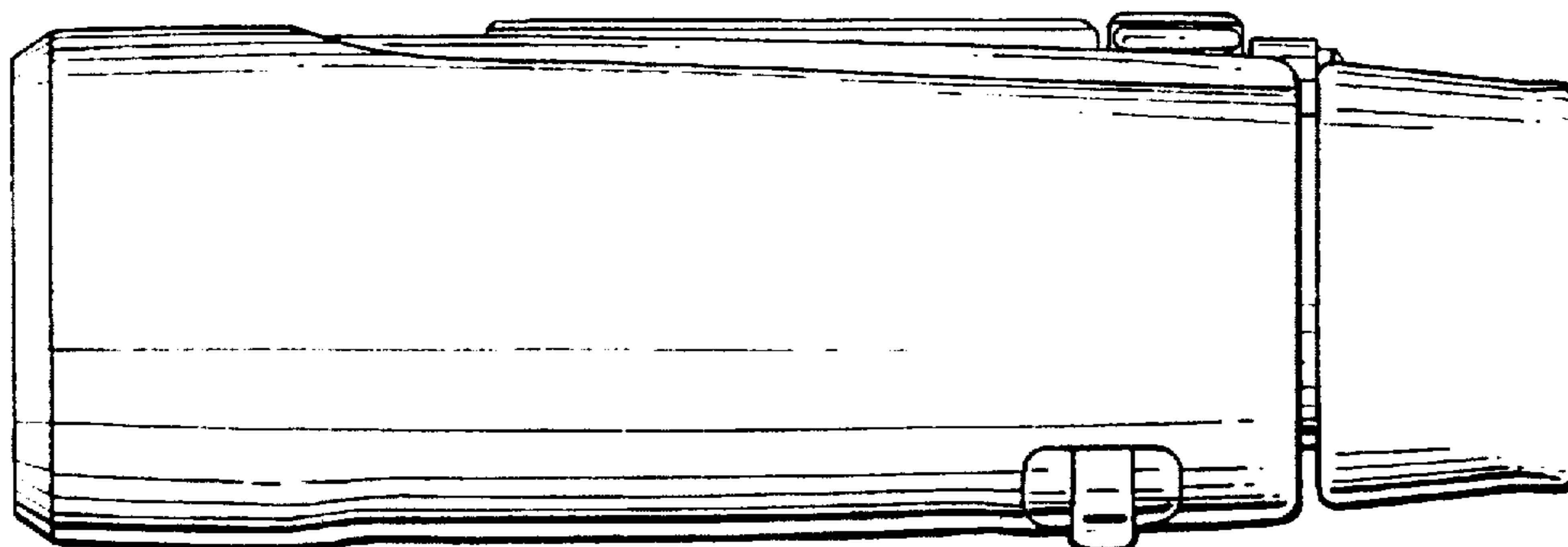


FIG. 5

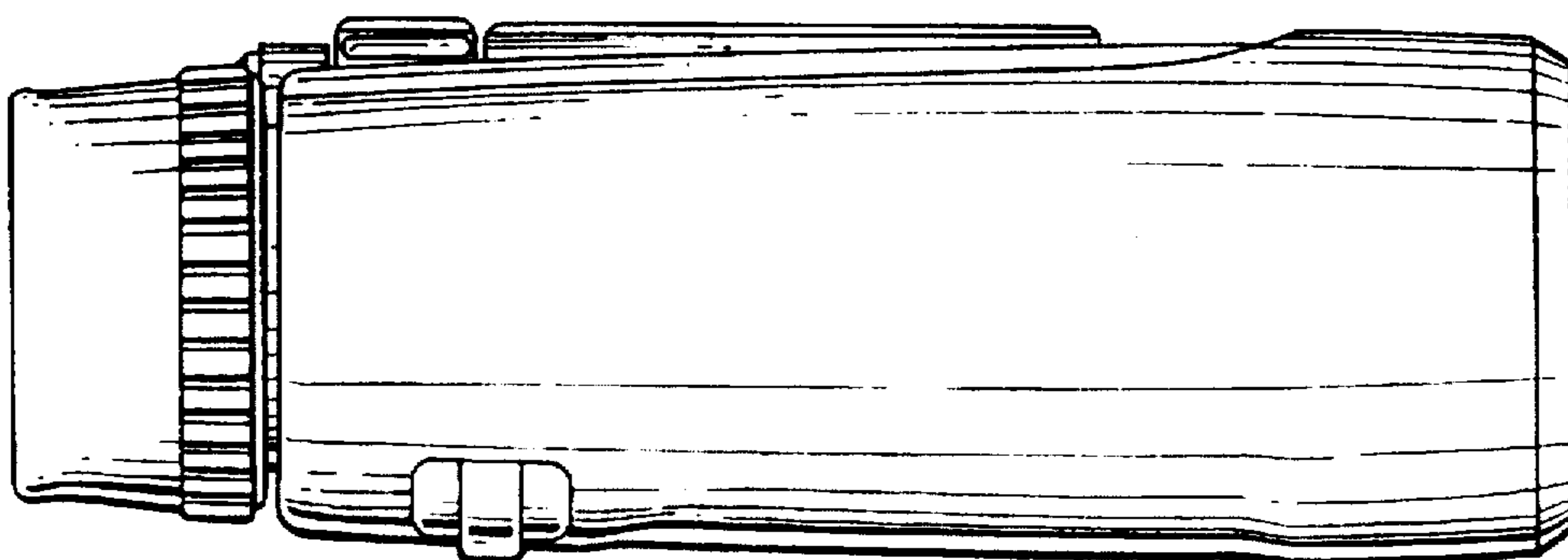


FIG. 6

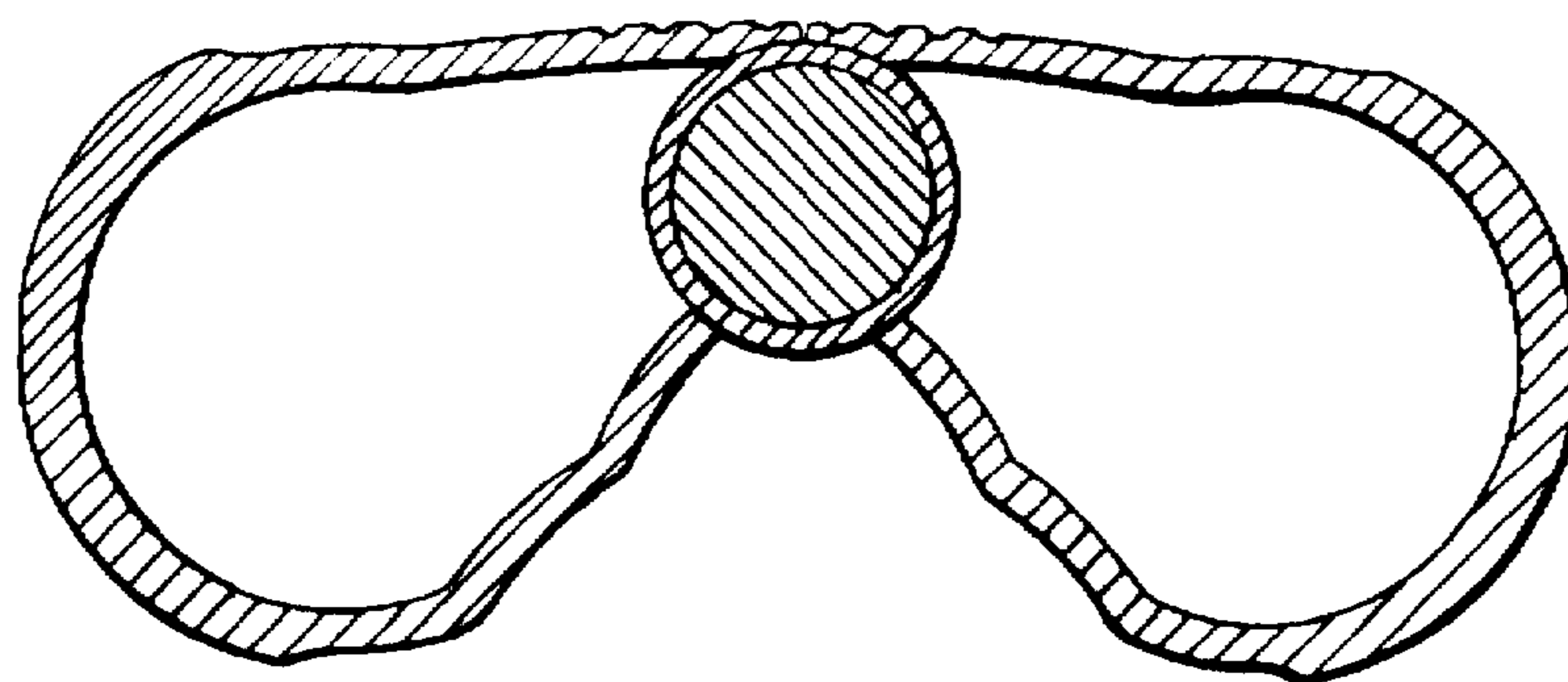


FIG. 7

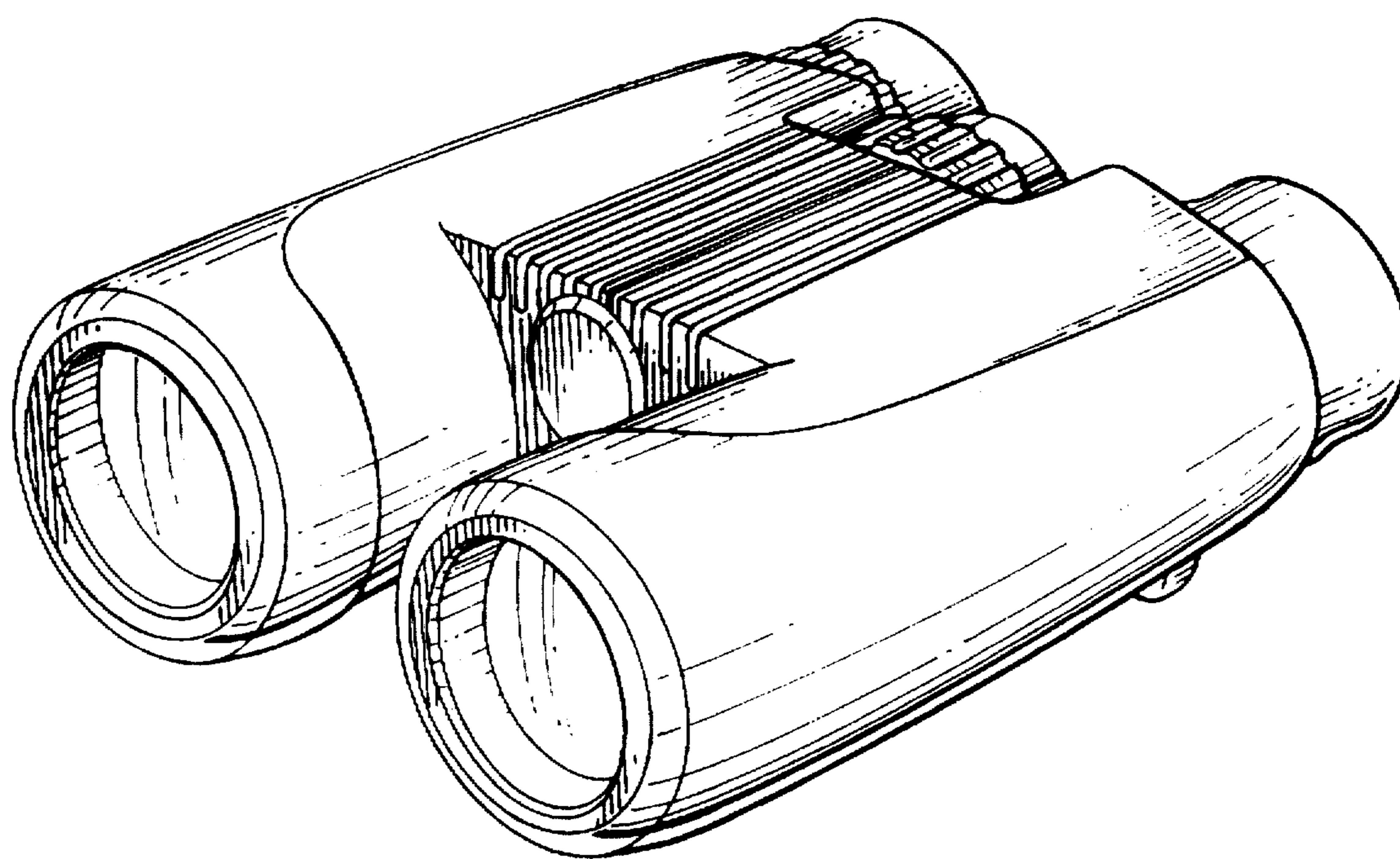


FIG. 8