

US00D395905S

United States Patent [19]
Hamamura

[11] **Patent Number: Des. 395,905**
[45] **Date of Patent: **Jul. 7, 1998**

[54] **BINOCULARS**

[75] **Inventor: Toshihiro Hamamura, Tokyo, Japan**

[73] **Assignee: Asahi Kogaku Kogyo Kabushiki Kaisha, Tokyo, Japan**

[**] **Term: 14 Years**

[21] **Appl. No.: 71,170**

[22] **Filed: May 22, 1997**

[30] **Foreign Application Priority Data**

Nov. 25, 1996 [JP] Japan 8-35668

[51] **LOC (6) Cl. 16-06**

[52] **U.S. Cl. D16/133**

[58] **Field of Search D16/130, 132, D16/133; 359/407, 408, 409, 410, 411, 412, 413, 414, 415, 416, 417, 418, 422, 425**

[56] **References Cited**

U.S. PATENT DOCUMENTS

D. 349,509	8/1994	Williams, Jr. et al.	D16/130
D. 359,973	7/1995	Hayamizu	D16/133
D. 377,185	1/1997	Nojima	D16/133
D. 383,474	9/1997	Hashimoto	D16/133
5,583,693	12/1996	Funatsu	359/407 X

Primary Examiner—Paula A. Mortimer
Attorney, Agent, or Firm—Sughrue, Mion, Zinn, Macpeak & Seas, PLLC

[57] **CLAIM**

The ornamental design for binoculars, as shown.

DESCRIPTION

FIG. 1 is a perspective view of the front, top and right side of binoculars showing my new design;

FIG. 2 is a perspective view of the bottom, front and left side thereof;

FIG. 3 is a front elevational view thereof;

FIG. 4 is a rear elevational view thereof;

FIG. 5 is a left side elevational view thereof;

FIG. 6 is a right side elevational view thereof;

FIG. 7 is a top plan view thereof;

FIG. 8 is a bottom plan view thereof;

FIG. 9 is a perspective view of the top, front and right side of a modified design of binoculars showing my new design;

FIG. 10 is a front elevational view thereof;

FIG. 11 is a rear elevational view thereof;

FIG. 12 is a left side elevational view thereof;

FIG. 13 is a right side elevational view thereof;

FIG. 14 is a top plan view thereof; and,

FIG. 15 is a bottom plan view thereof.

1 Claim, 9 Drawing Sheets

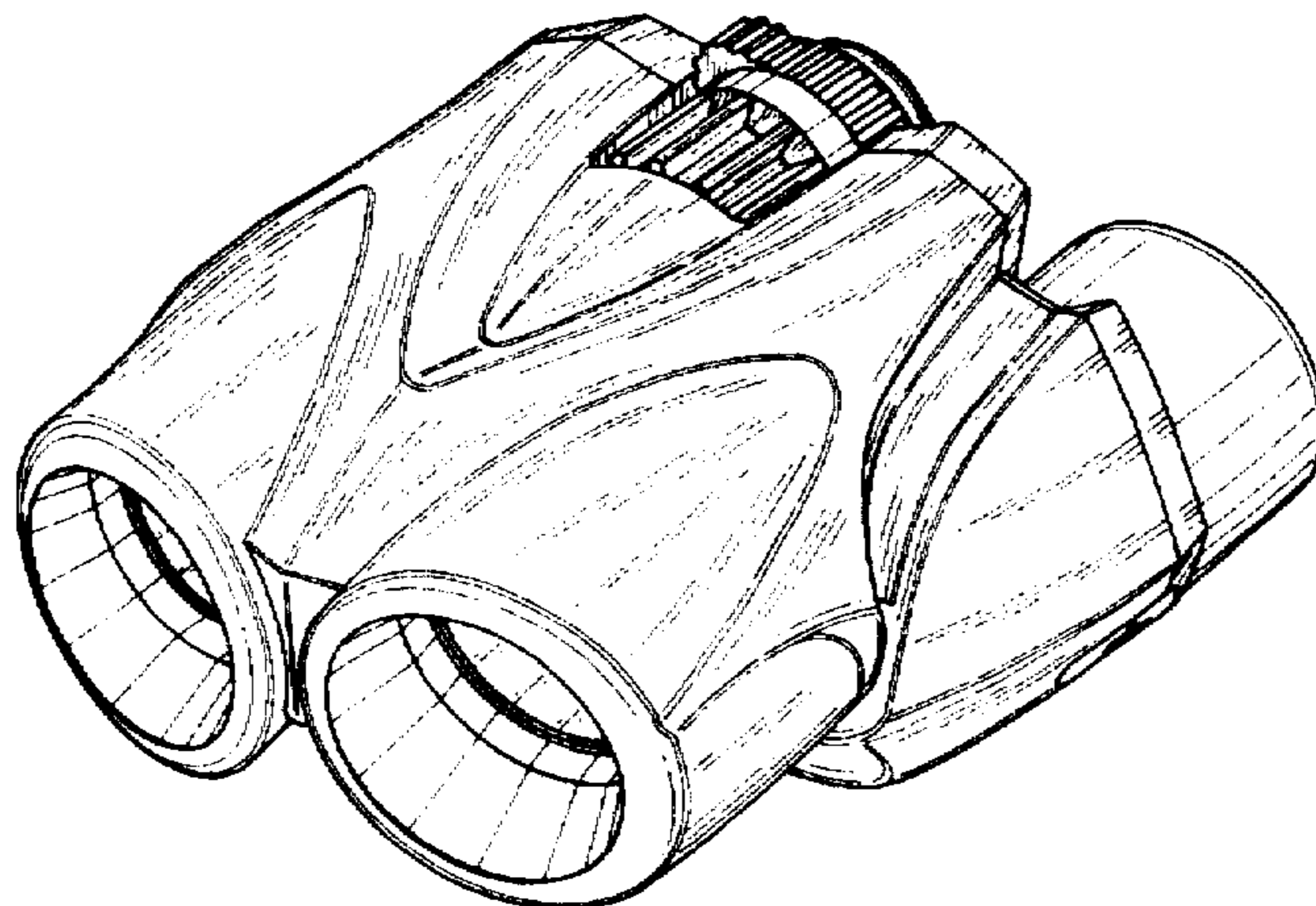
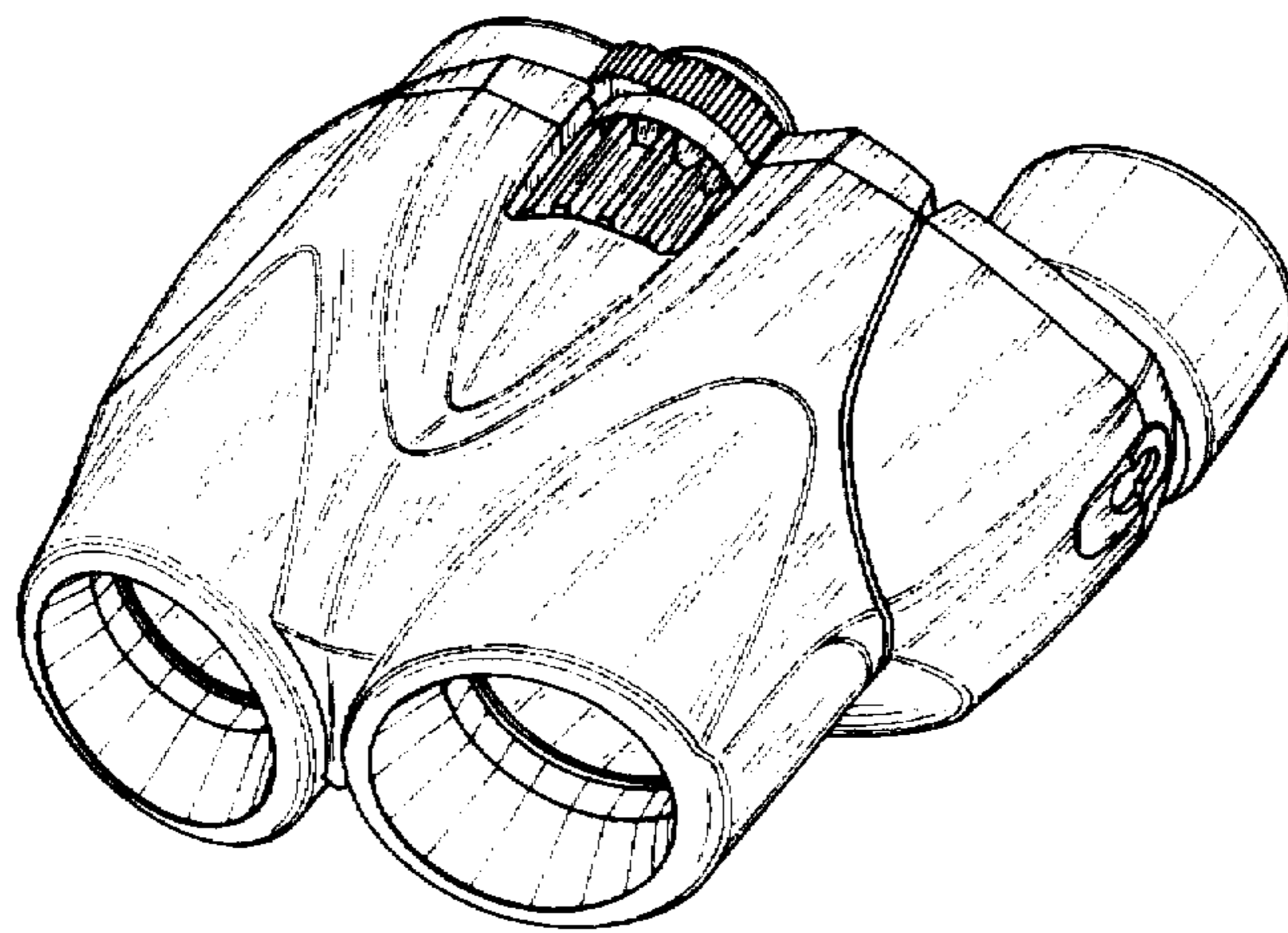


Fig. 1

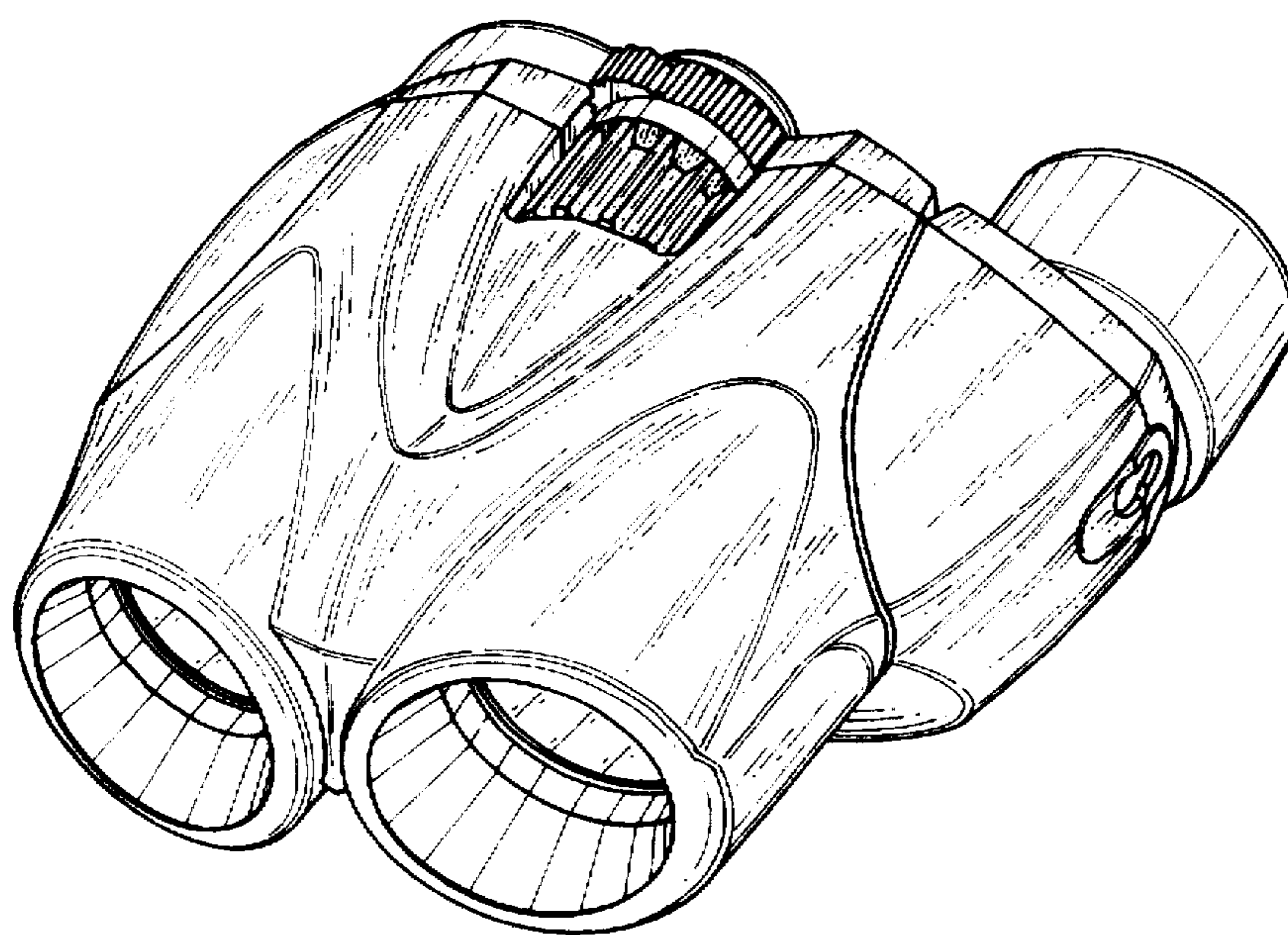


Fig. 2

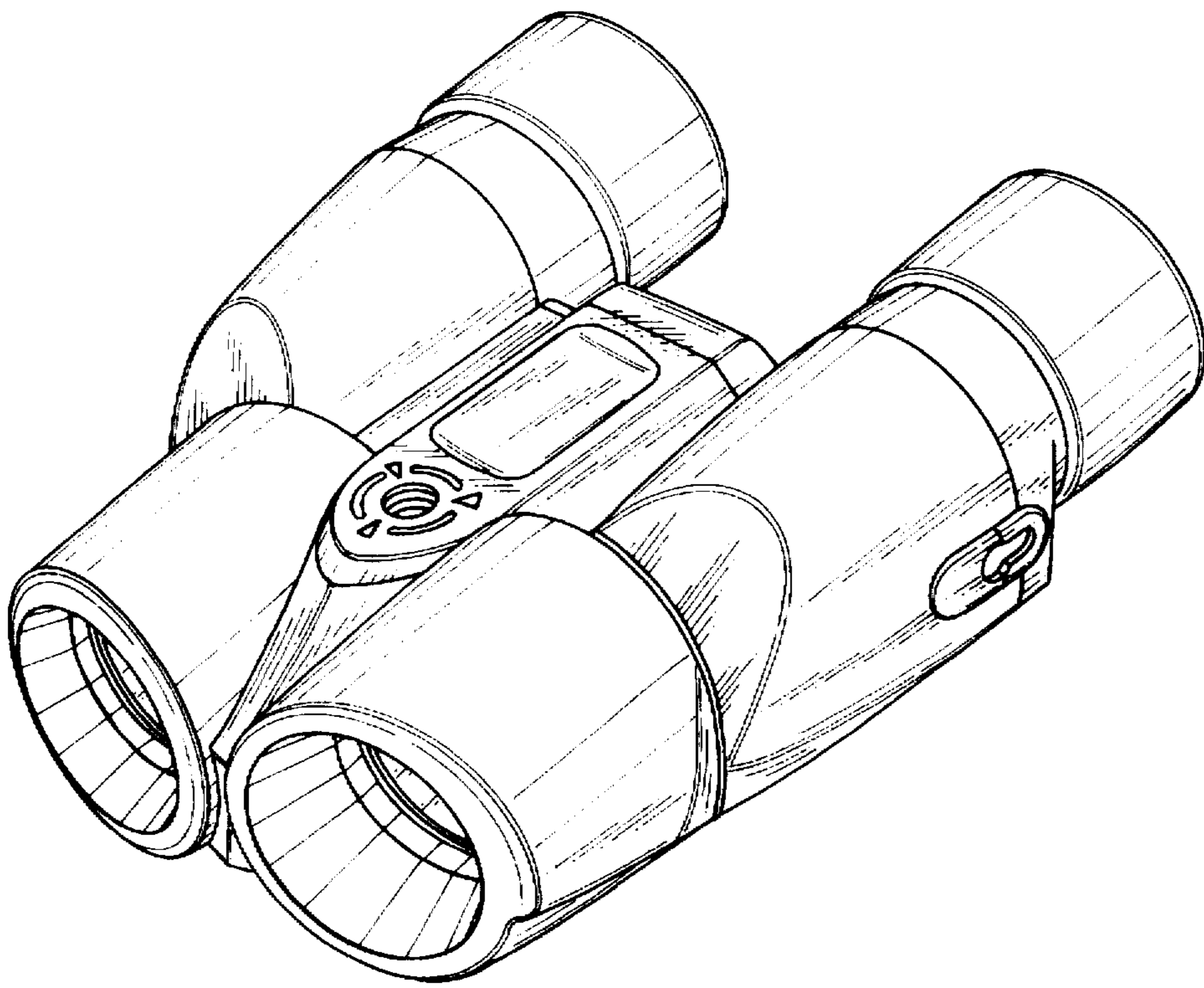


Fig. 3

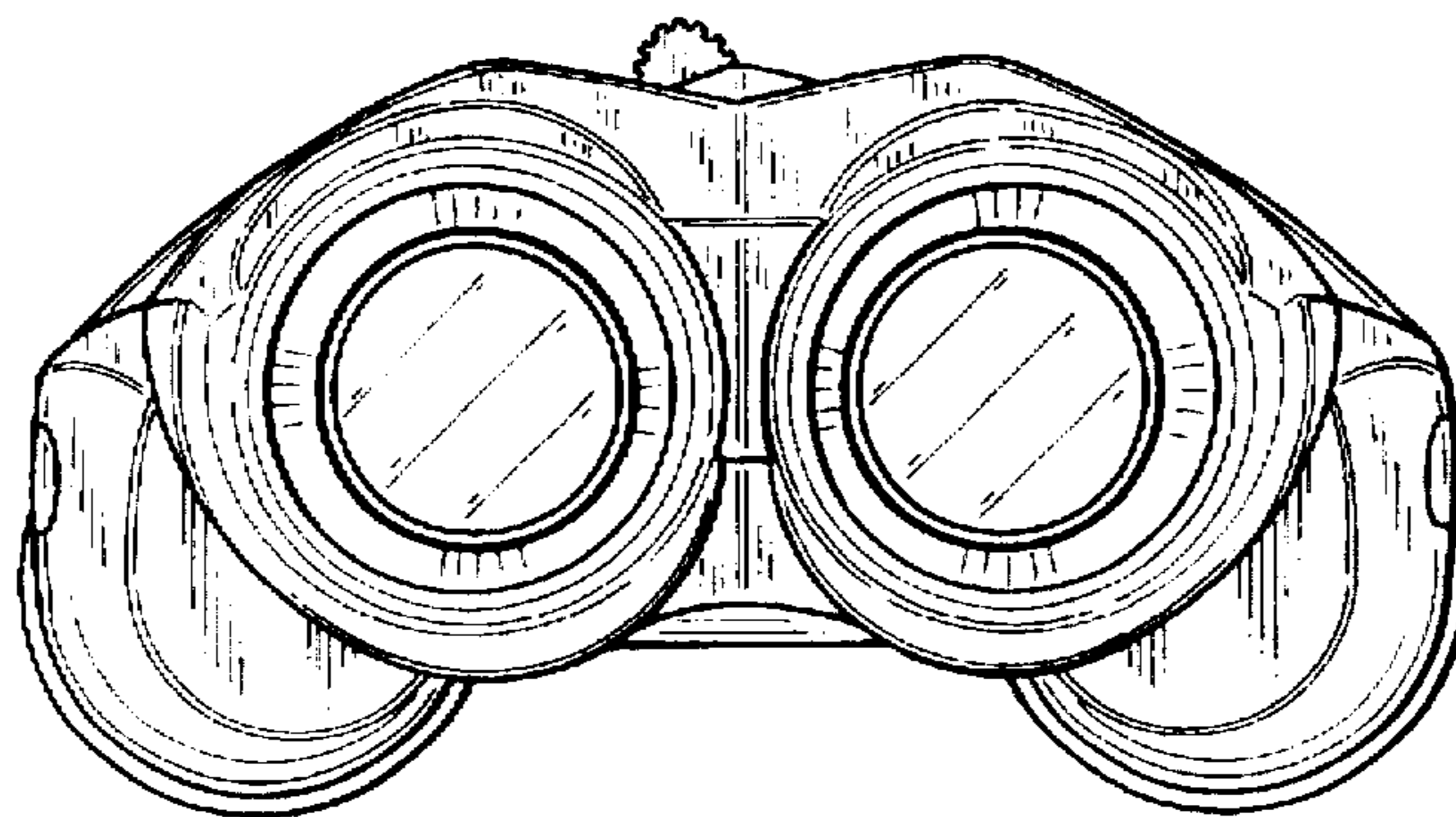


Fig. 4

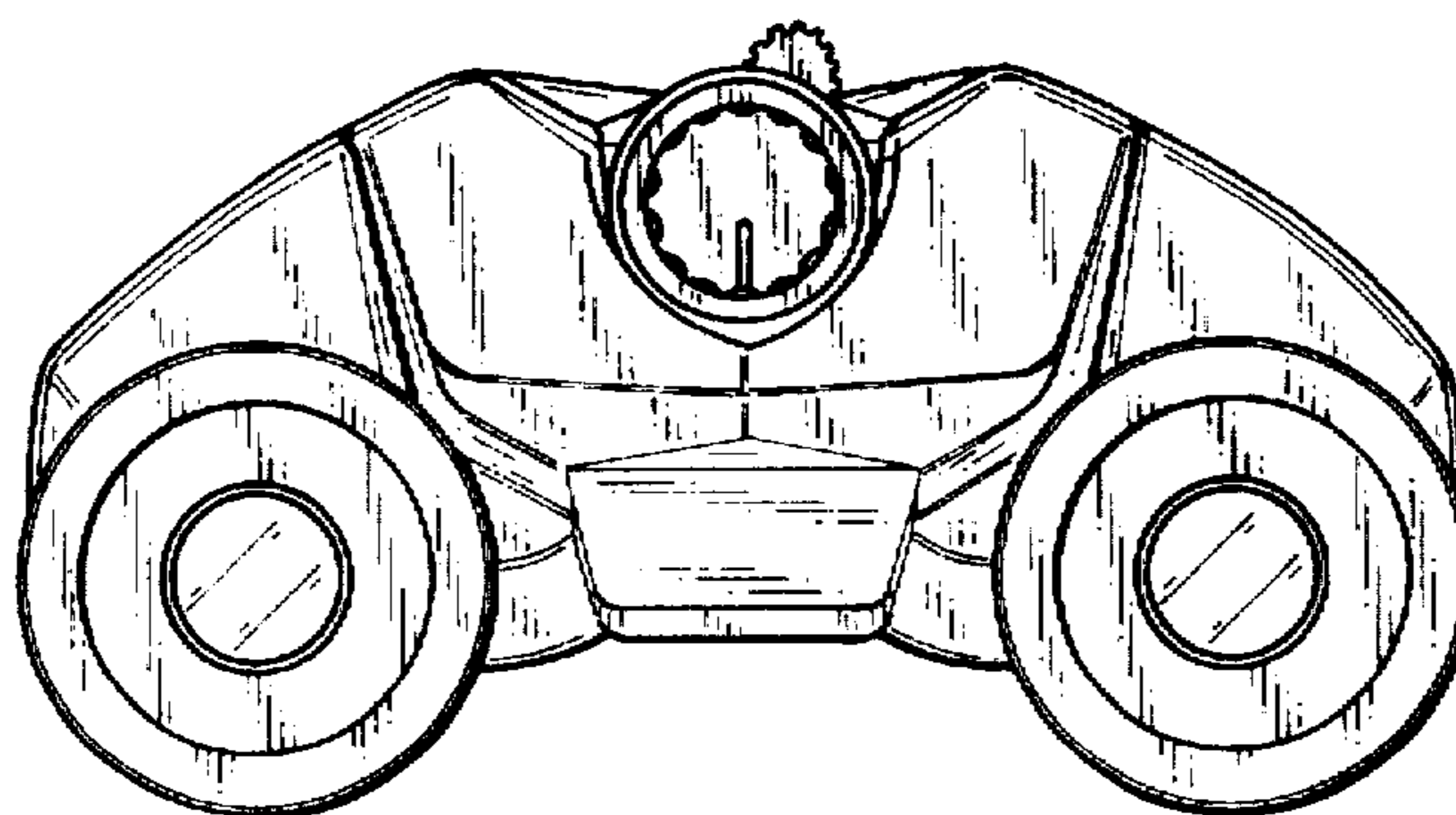


Fig. 5

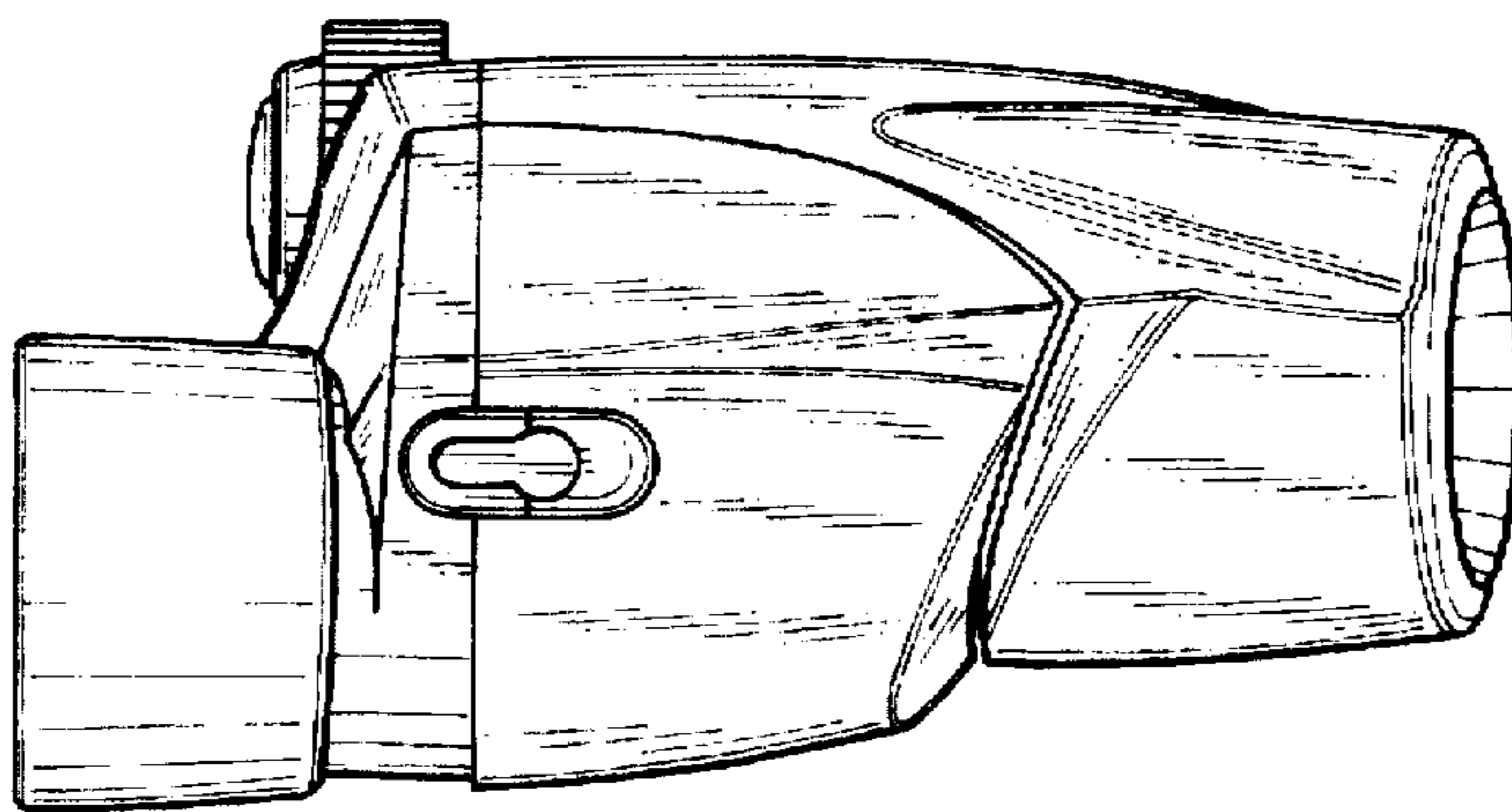


Fig. 6

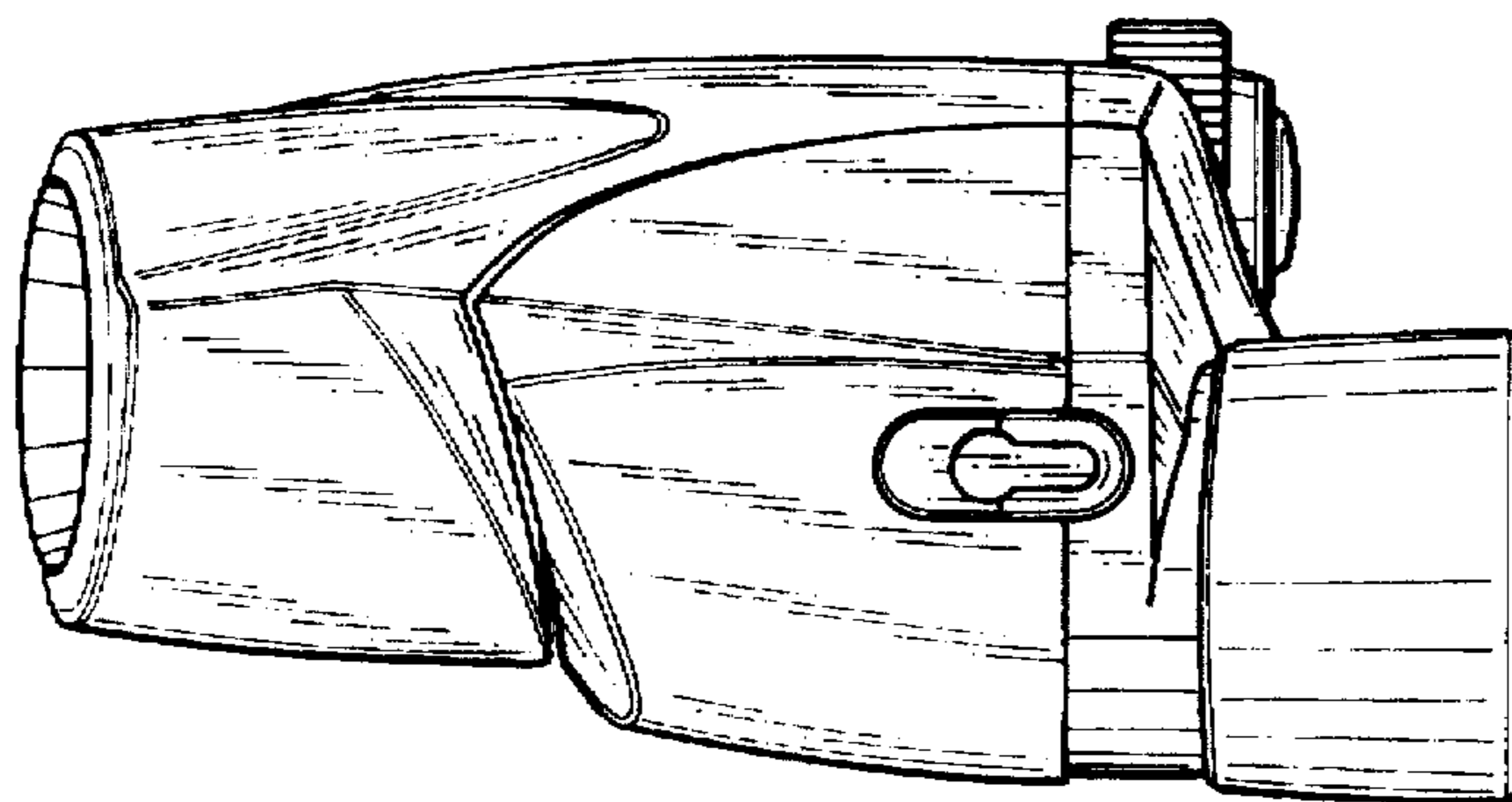


Fig. 7

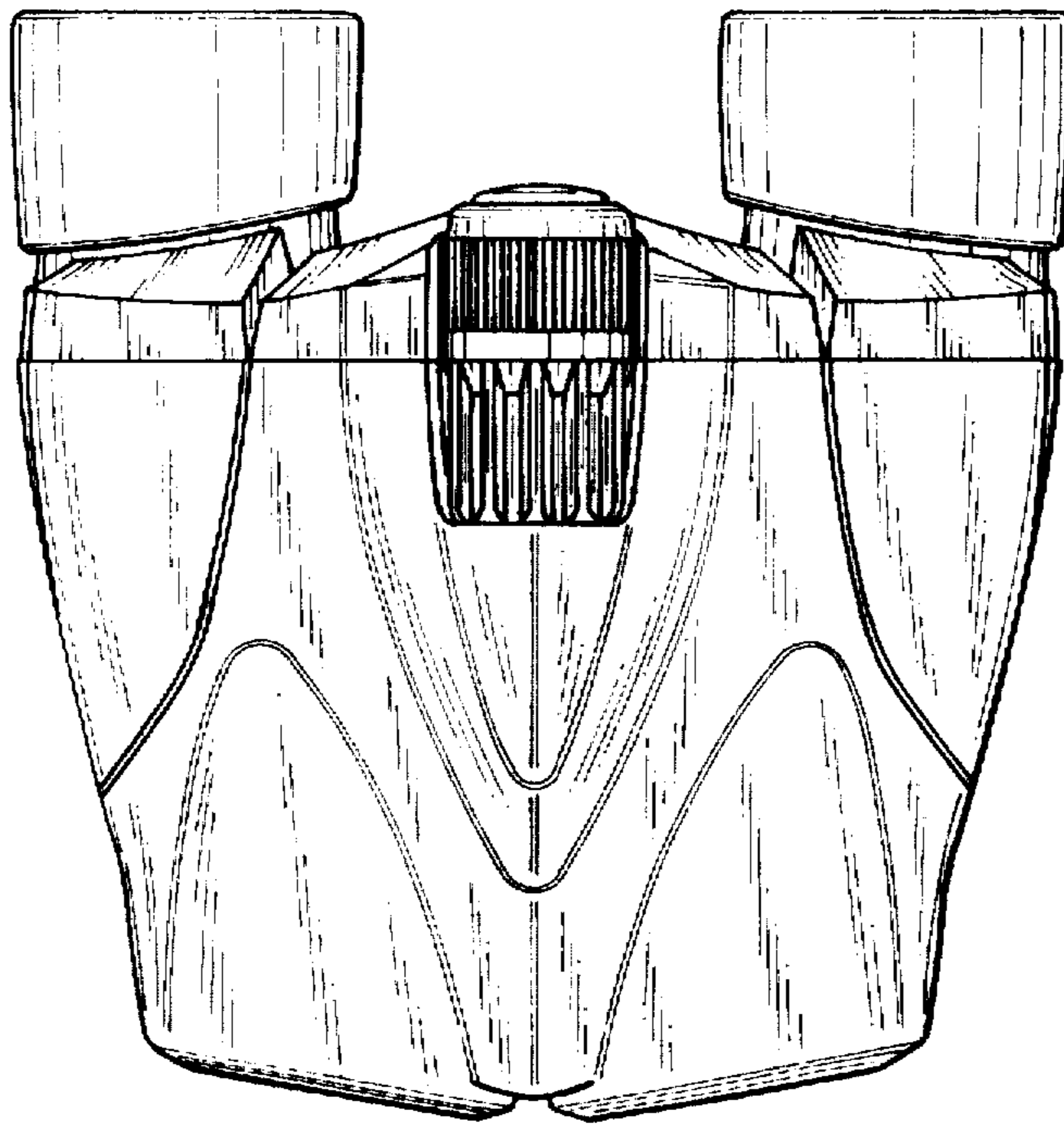


Fig. 8

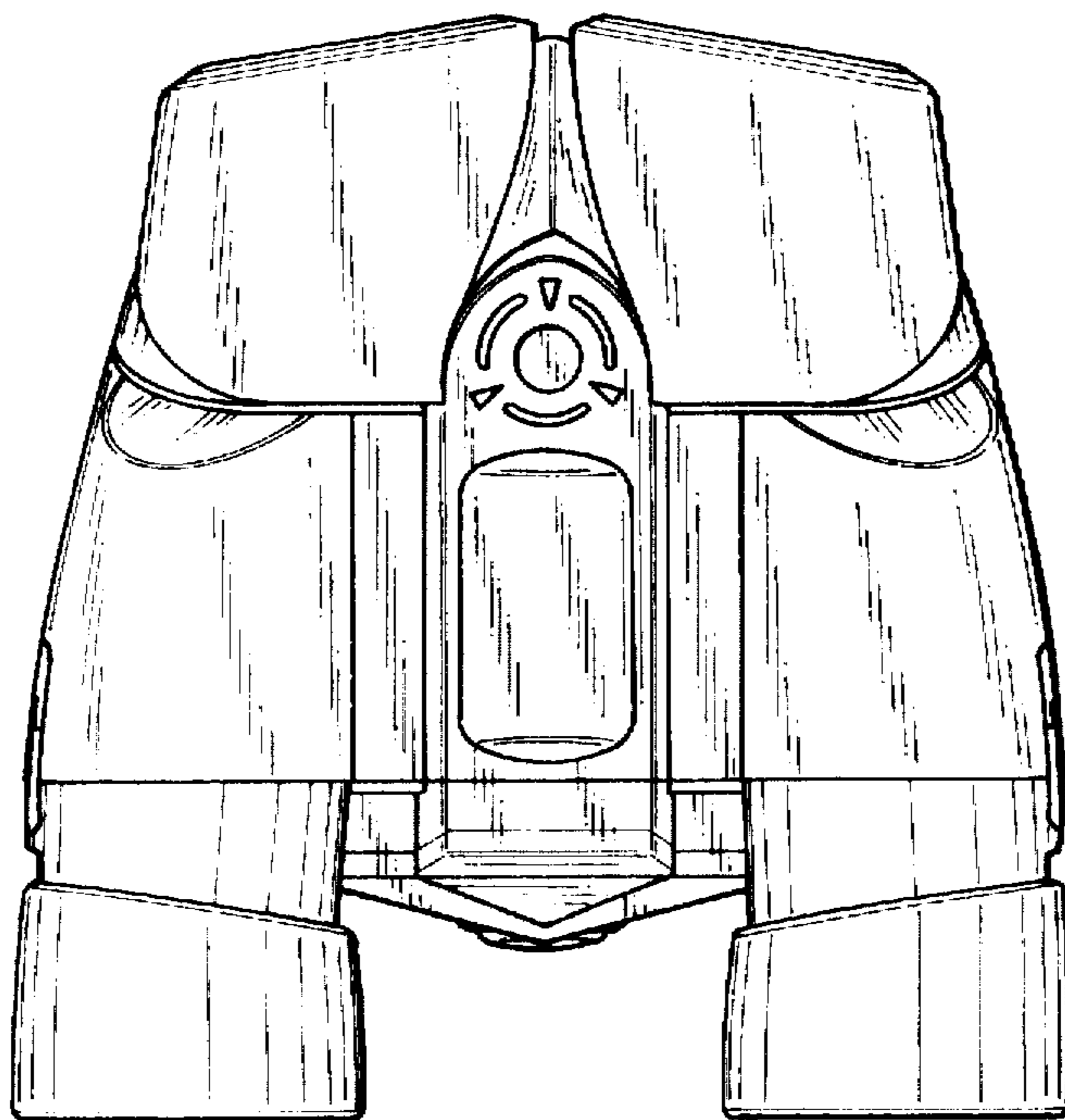


Fig. 9

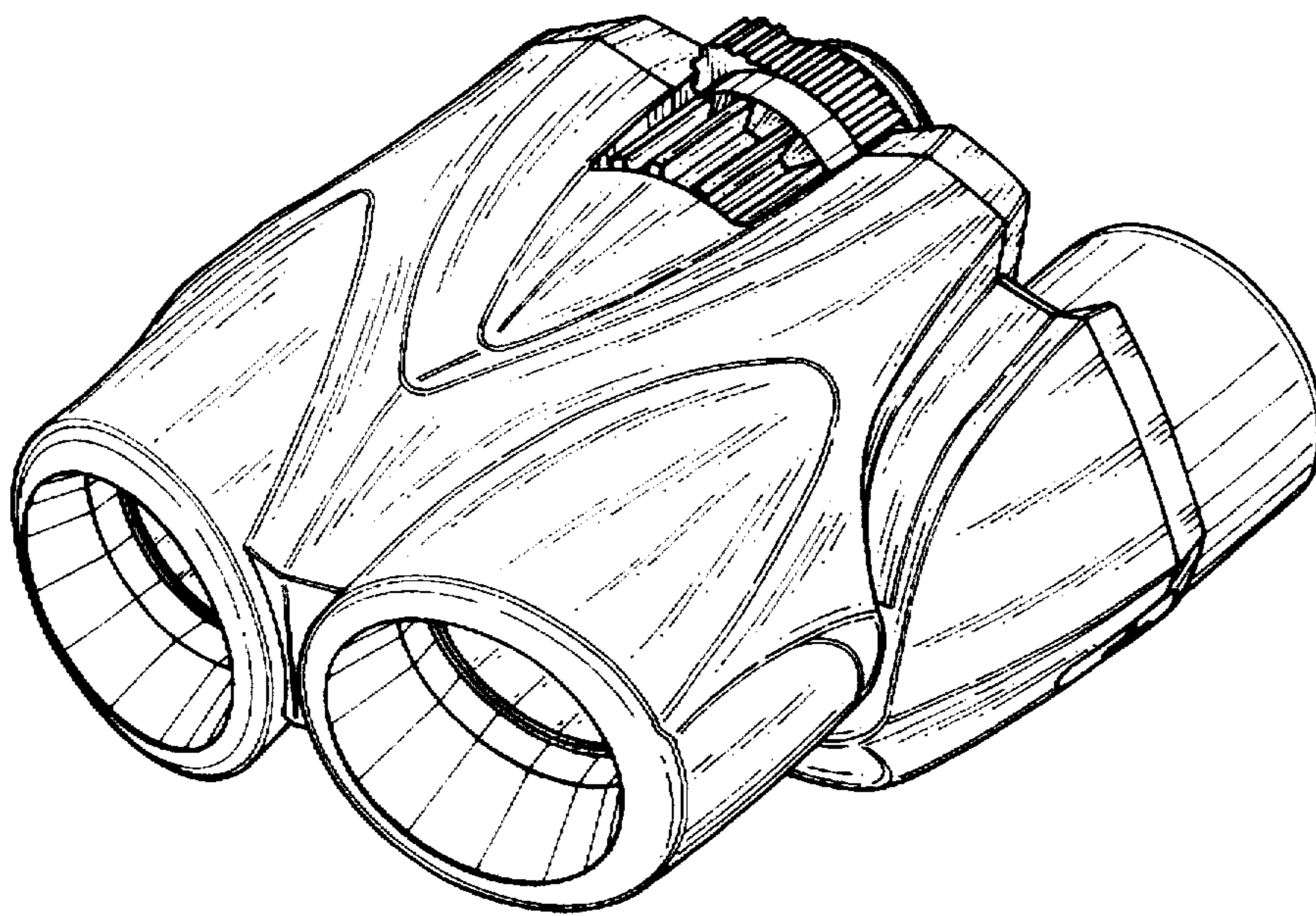


Fig. 10

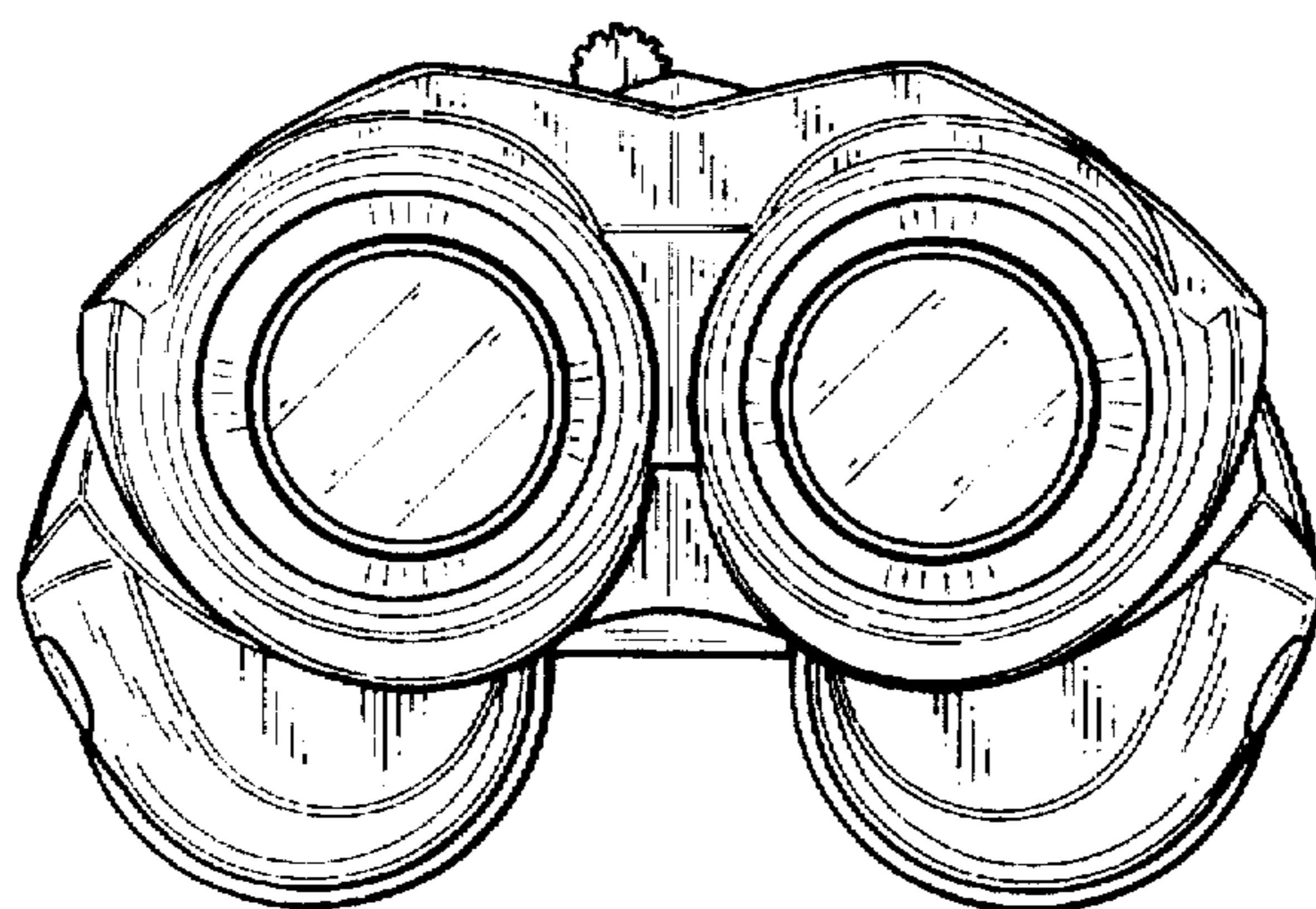


Fig. 11

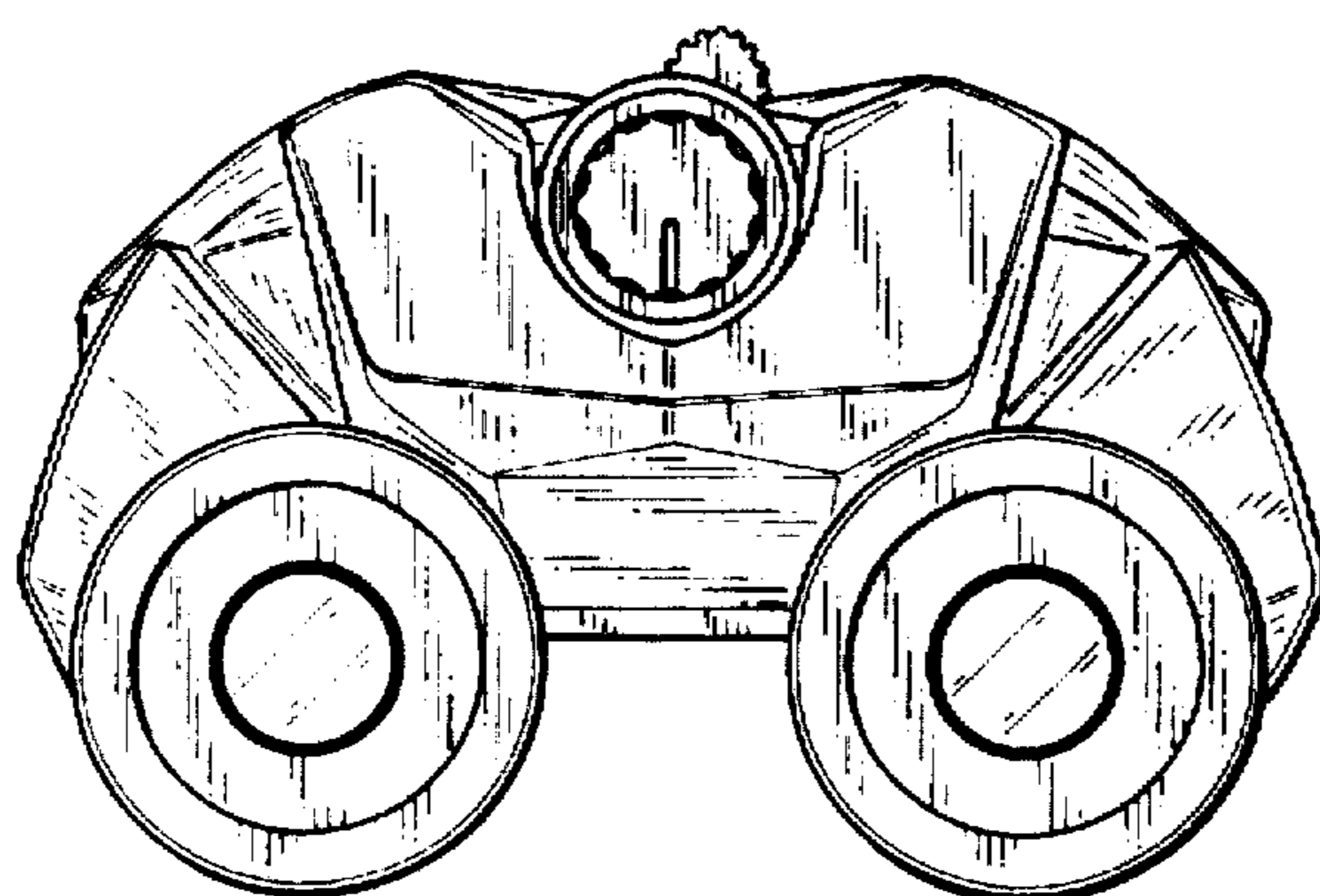


Fig. 12

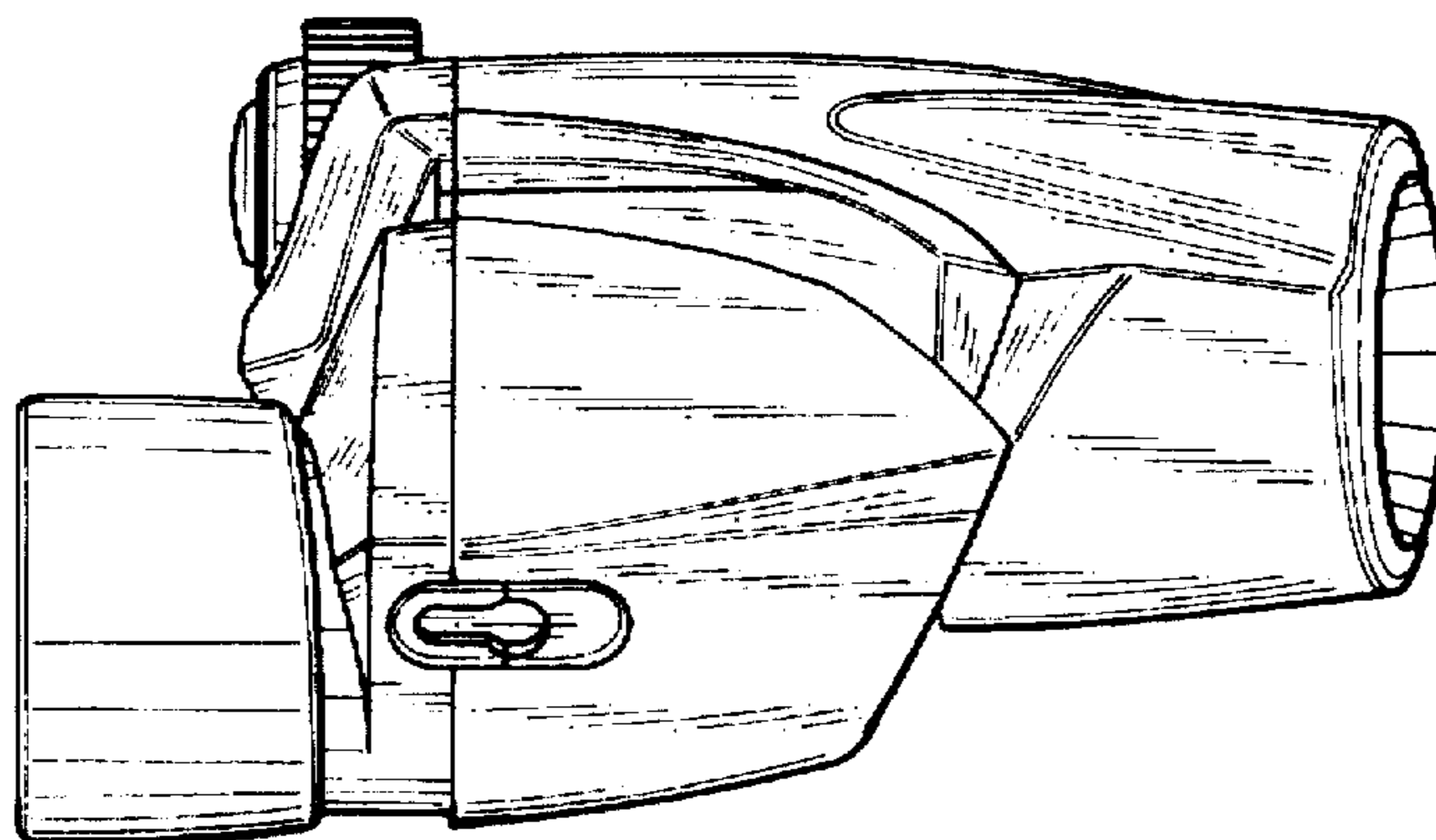


Fig. 13

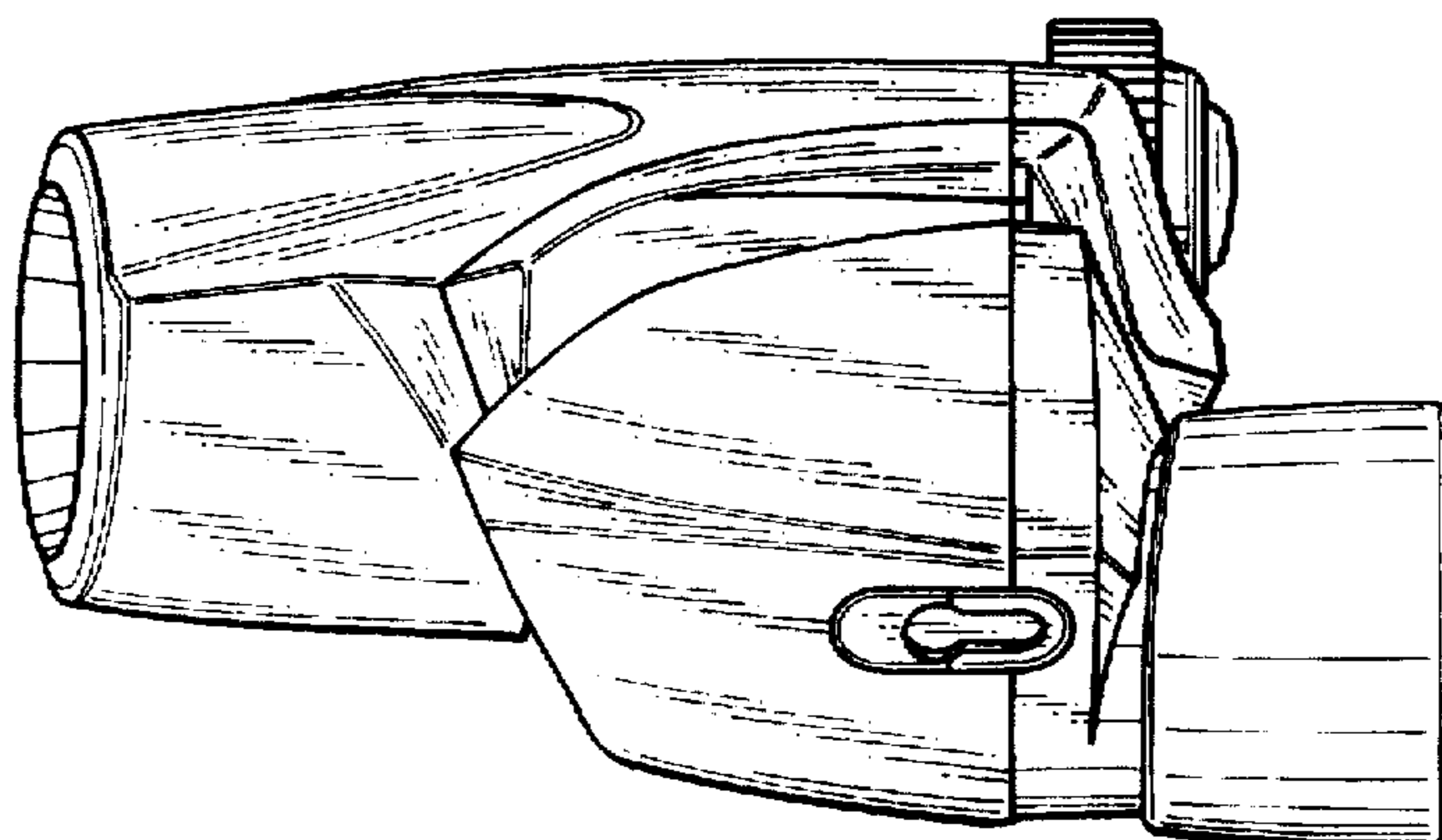


Fig. 14

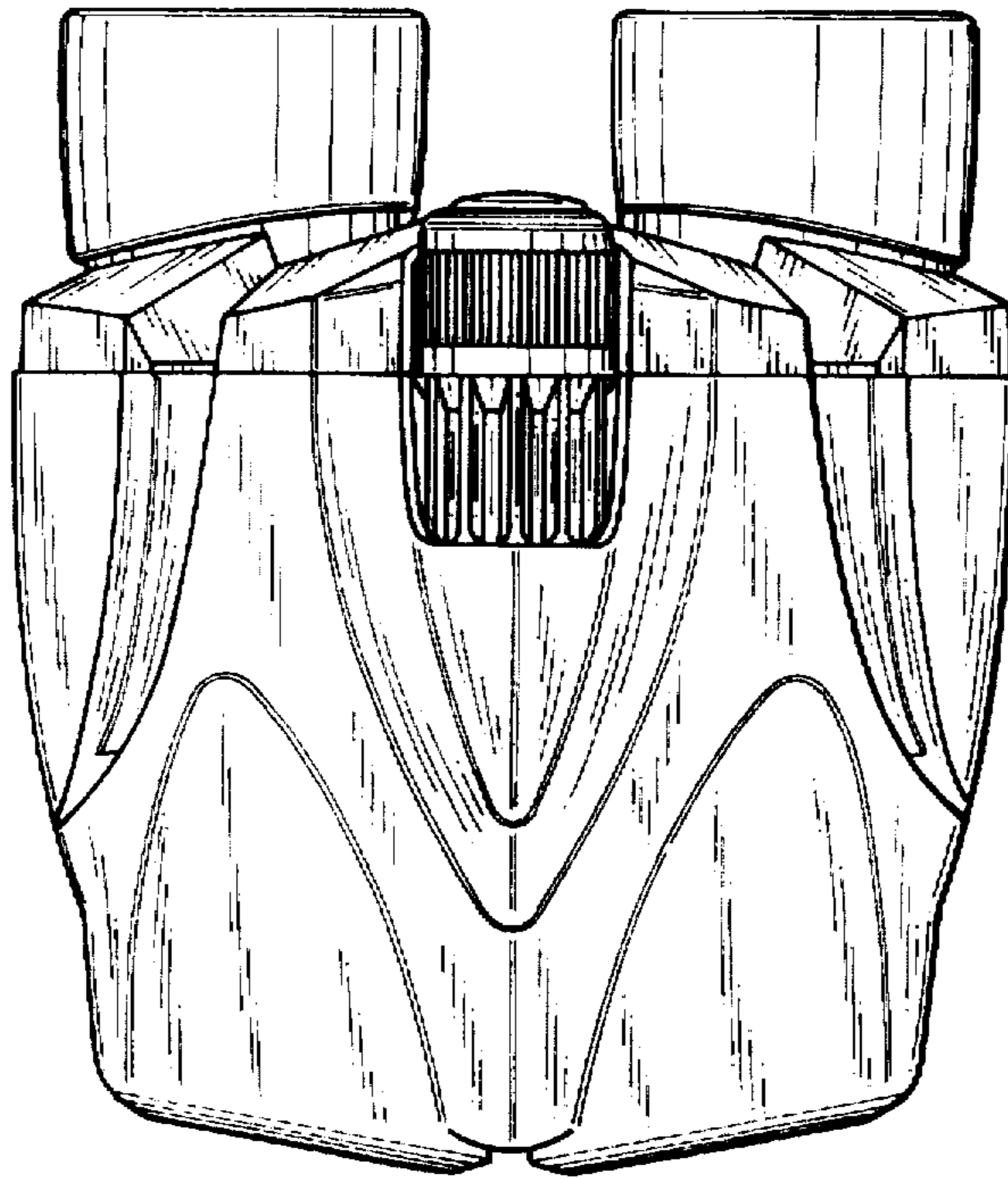


Fig. 15

