



US00D395904S

United States Patent [19] Omi

[11] Patent Number: **Des. 395,904**
[45] Date of Patent: ****Jul. 7, 1998**

[54] **MICROSCOPE**
[75] Inventor: **Shoichi Omi**, Tokyo, Japan
[73] Assignee: **Lunax Company Limited**,
Akeno-Machi, Japan
[**] Term: **14 Years**
[21] Appl. No.: **72,054**
[22] Filed: **May 27, 1997**
[30] **Foreign Application Priority Data**
Dec. 6, 1996 [JP] Japan 8-37206
[51] **LOC (6) Cl.** **16-06**
[52] **U.S. Cl.** **D16/131**
[58] **Field of Search** D16/130, 131;
359/381, 382, 383, 384, 385, 375; D19/35,
41, 98; 362/118

5,052,788 10/1991 Tachibana D16/131 X
5,070,438 12/1991 Marshall 362/118 X
5,119,233 6/1992 Hayashi 359/385 X
5,198,927 3/1993 Rathbone et al. 359/385
5,544,967 8/1996 Yao 362/118 X

Primary Examiner—Paula A. Mortimer
Attorney, Agent, or Firm—Reid & Priest L.L.P.

[57] CLAIM

The ornamental design for a microscope, as shown and described.

DESCRIPTION

FIG. 1 is a front, top perspective view of a microscope with the microscope in a slanted position showing my new design;
FIG. 2 is a rear, top perspective view of the microscope;
FIG. 3 is a front view of the microscope;
FIG. 4 is a right side view of the microscope;
FIG. 5 is a rear view of the microscope;
FIG. 6 is a left side view of the microscope;
FIG. 7 is a top plan view of the microscope;
FIG. 8 is a bottom view of the microscope;
FIG. 9 is a front elevational view of a microscope in a vertical position;
FIG. 10 is a left side elevational view of a microscope in a vertical position; and,
FIG. 11 is a rear perspective view thereof.

[56] **References Cited**
U.S. PATENT DOCUMENTS
D. 273,592 4/1984 Armbruster D16/131
D. 273,685 5/1984 Yamada D16/131
D. 339,148 9/1993 Omi D16/131
1,996,141 4/1935 Broadhurst et al. 359/397
2,544,371 3/1951 Weiser D16/131 X
2,662,444 12/1953 Gradisar 359/383
3,045,111 7/1962 Hoenig 362/118 X
3,360,641 12/1967 Korte 359/385

1 Claim, 6 Drawing Sheets

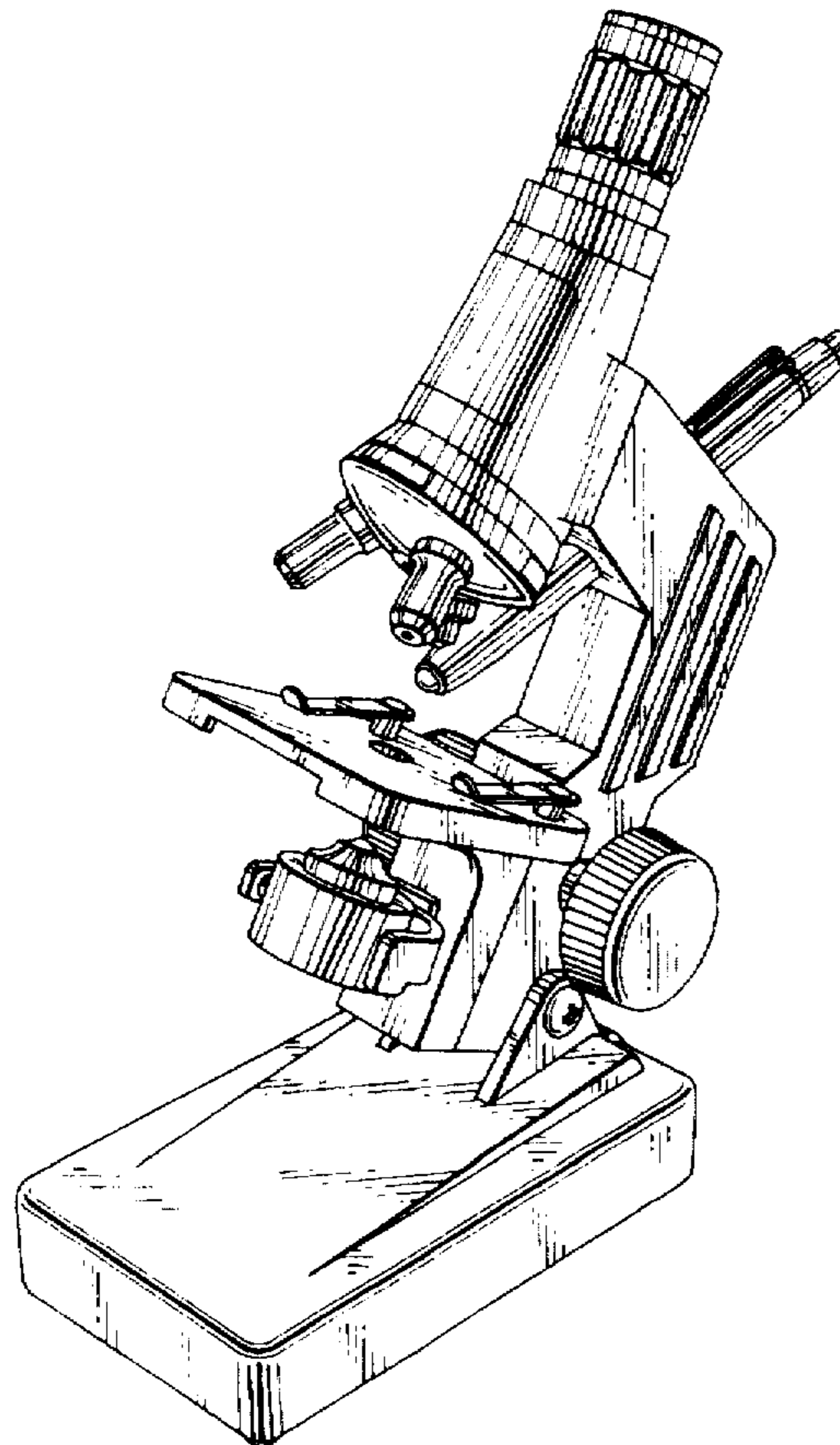


FIG. 2

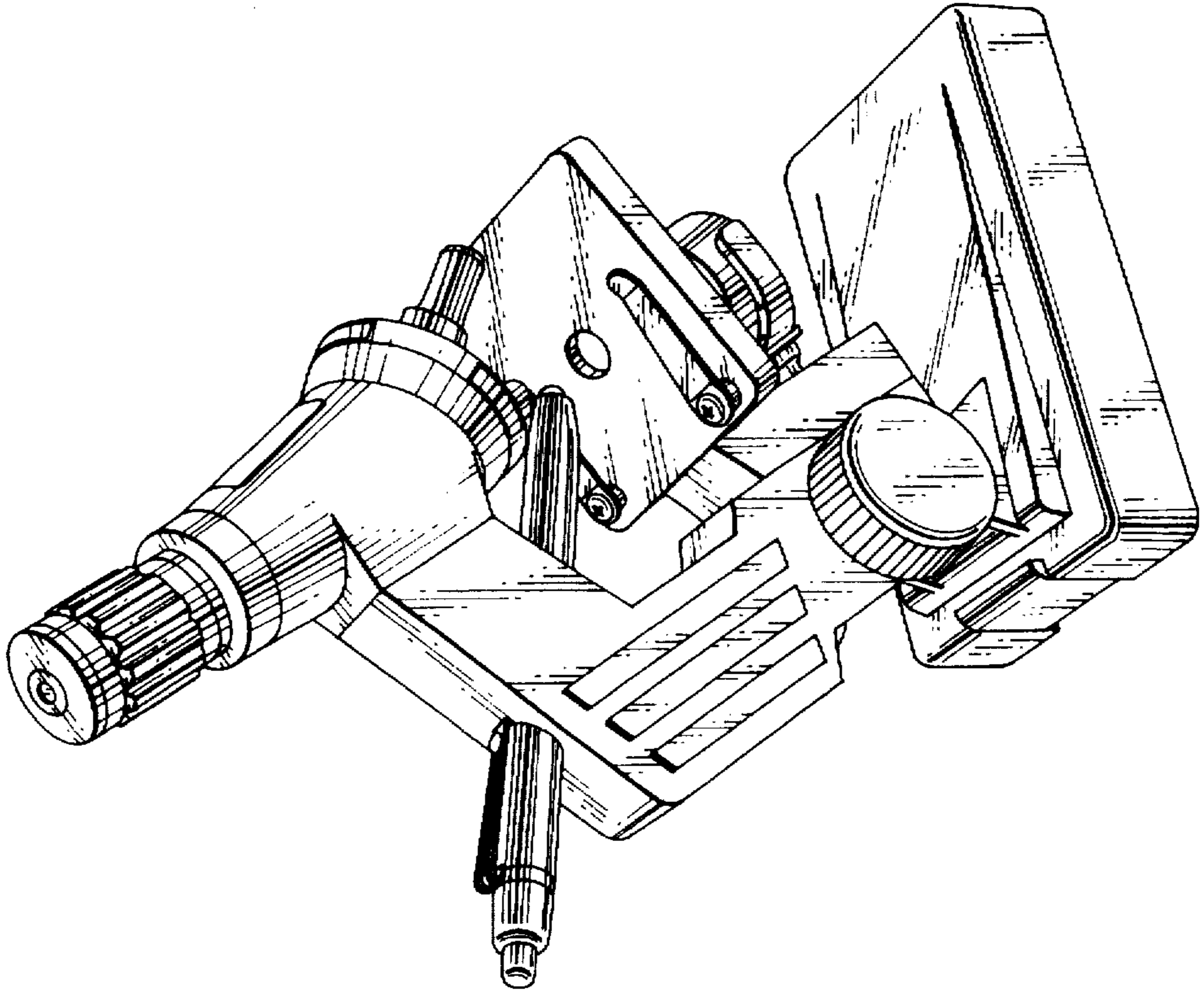


FIG. 1

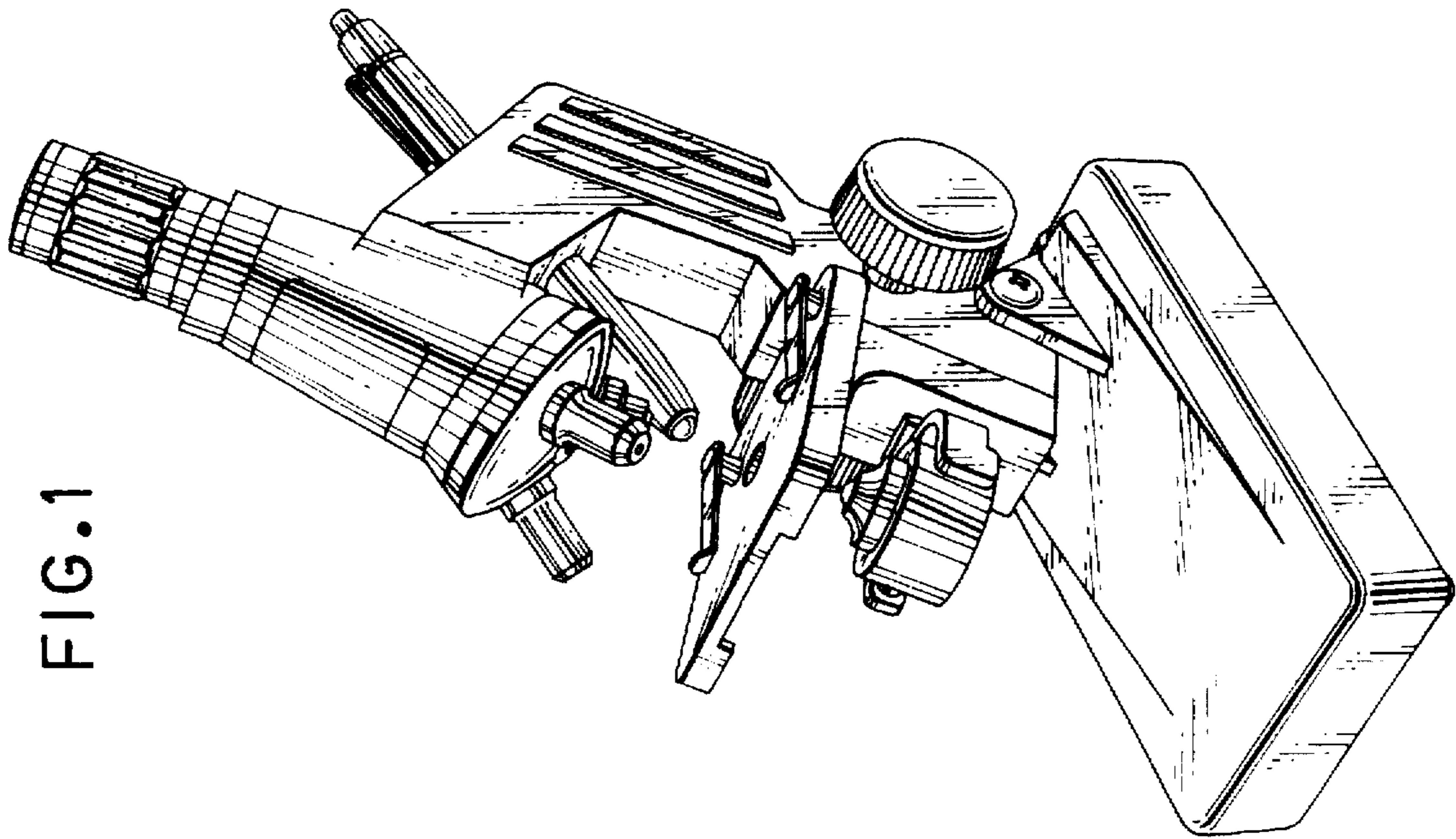


FIG. 4

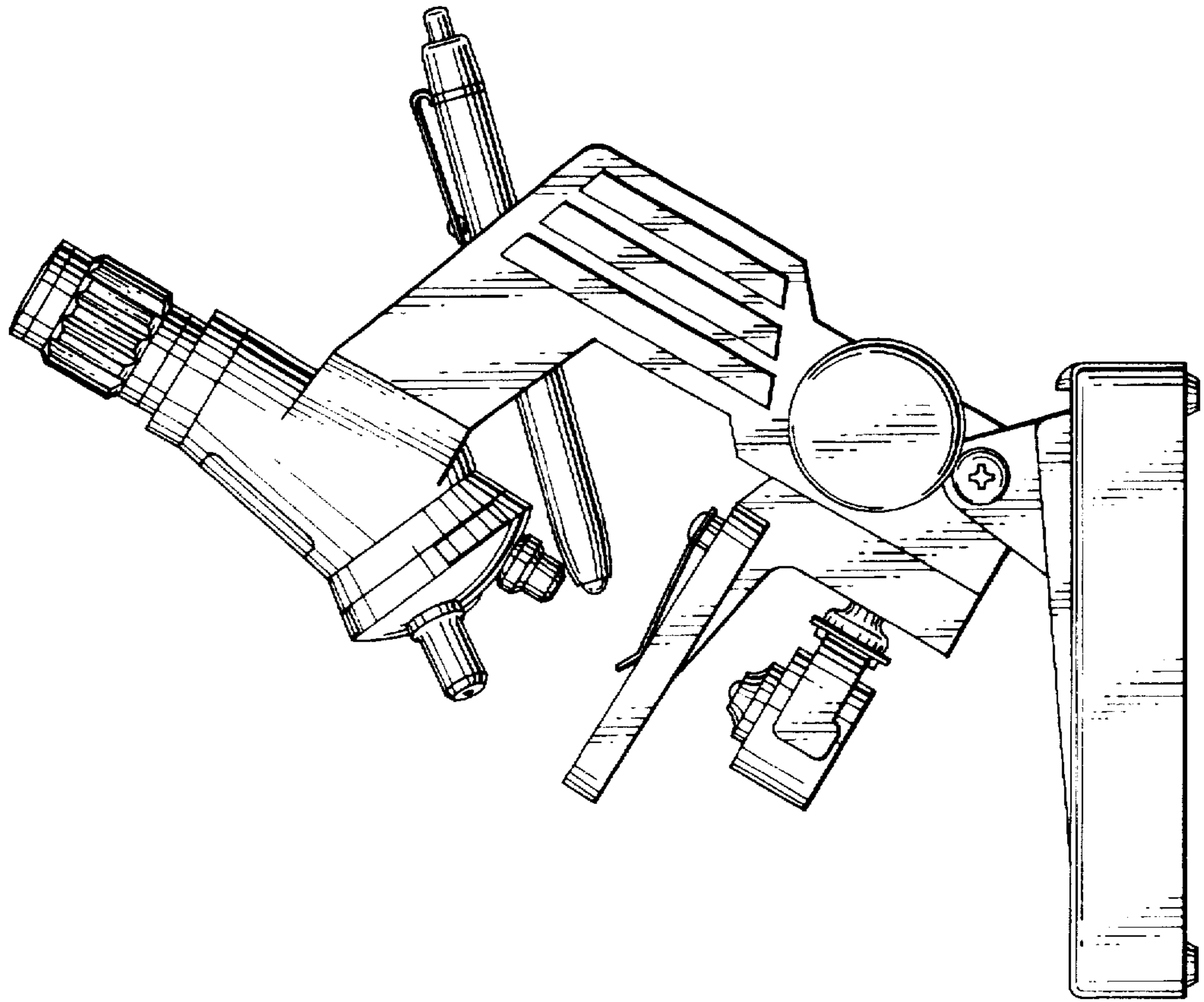


FIG. 3

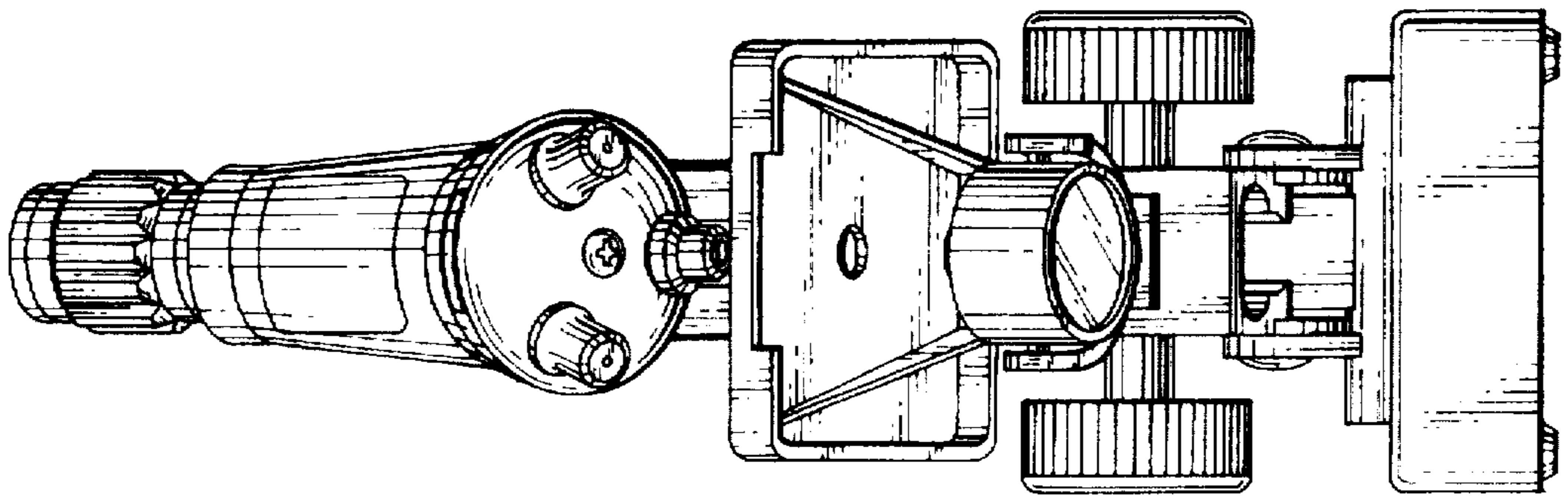


FIG. 6

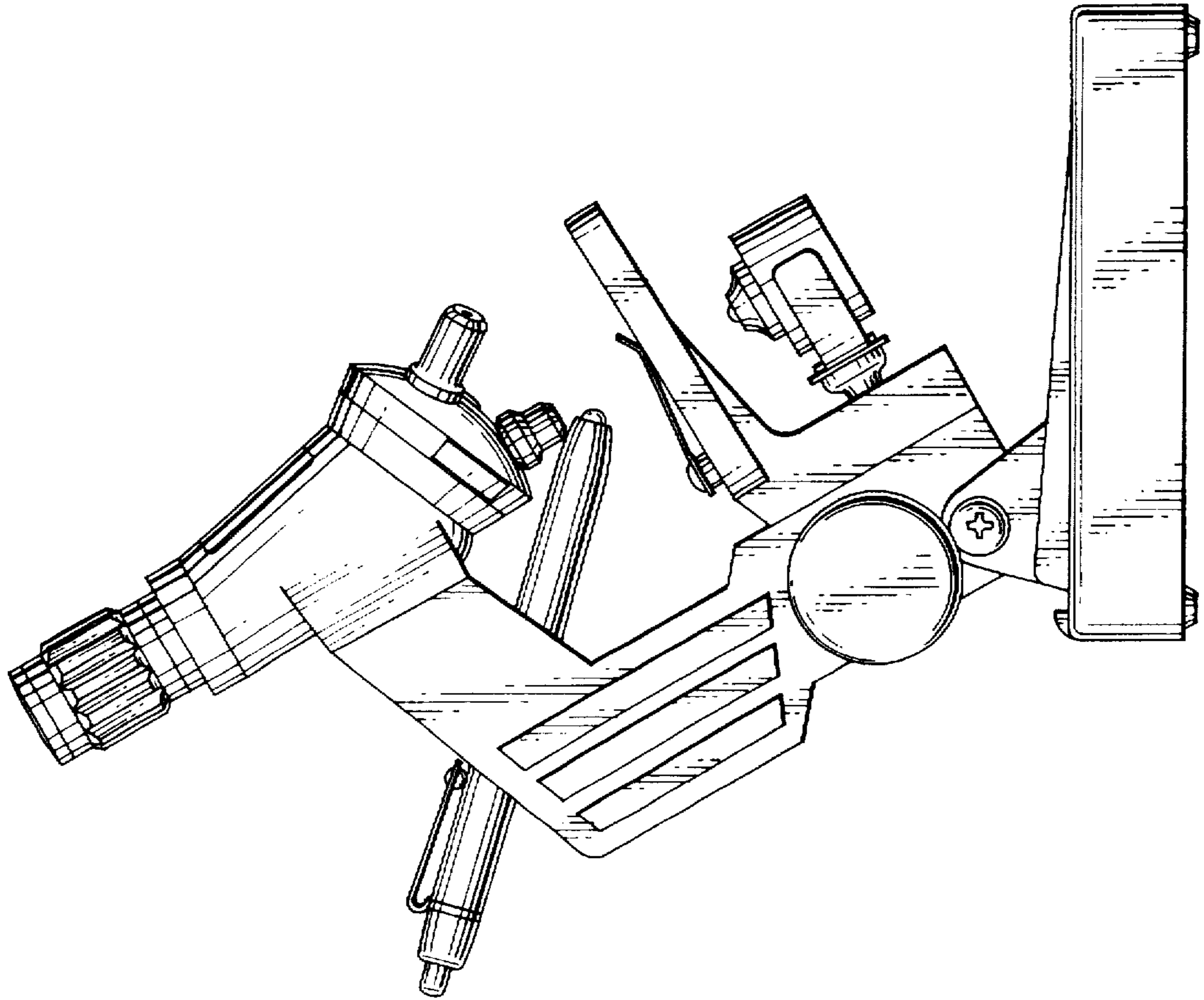


FIG. 5

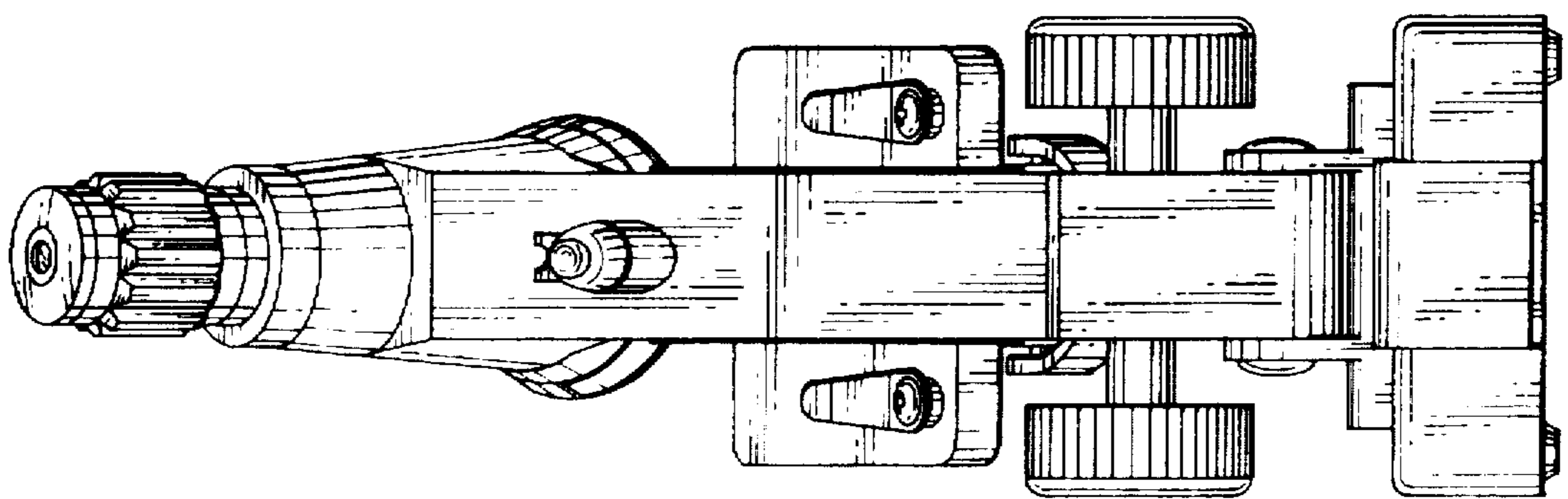


FIG. 8

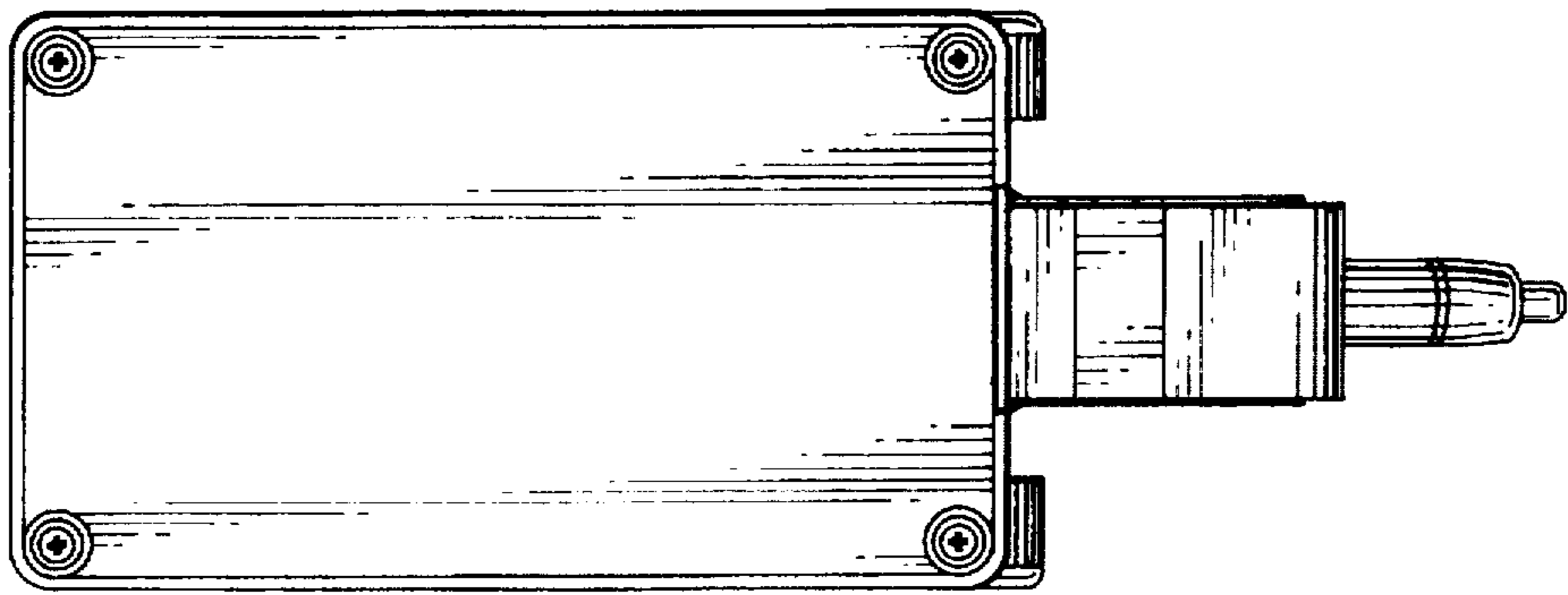


FIG. 7

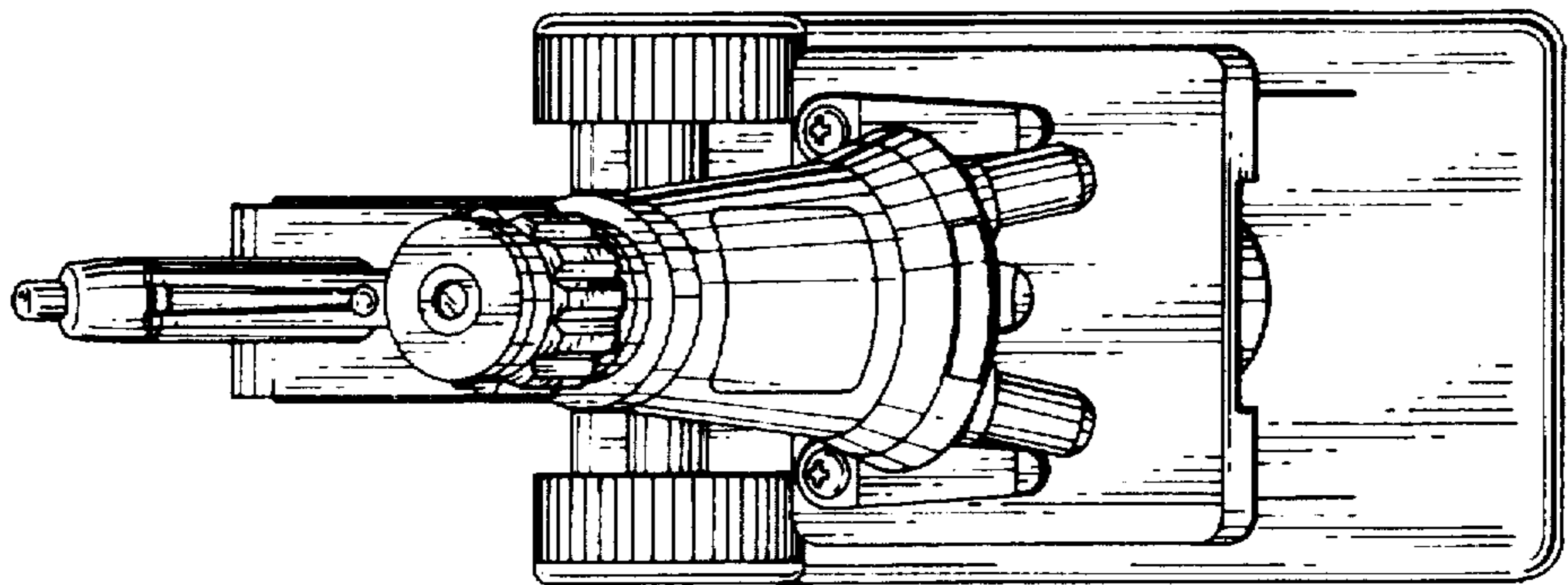


FIG.10

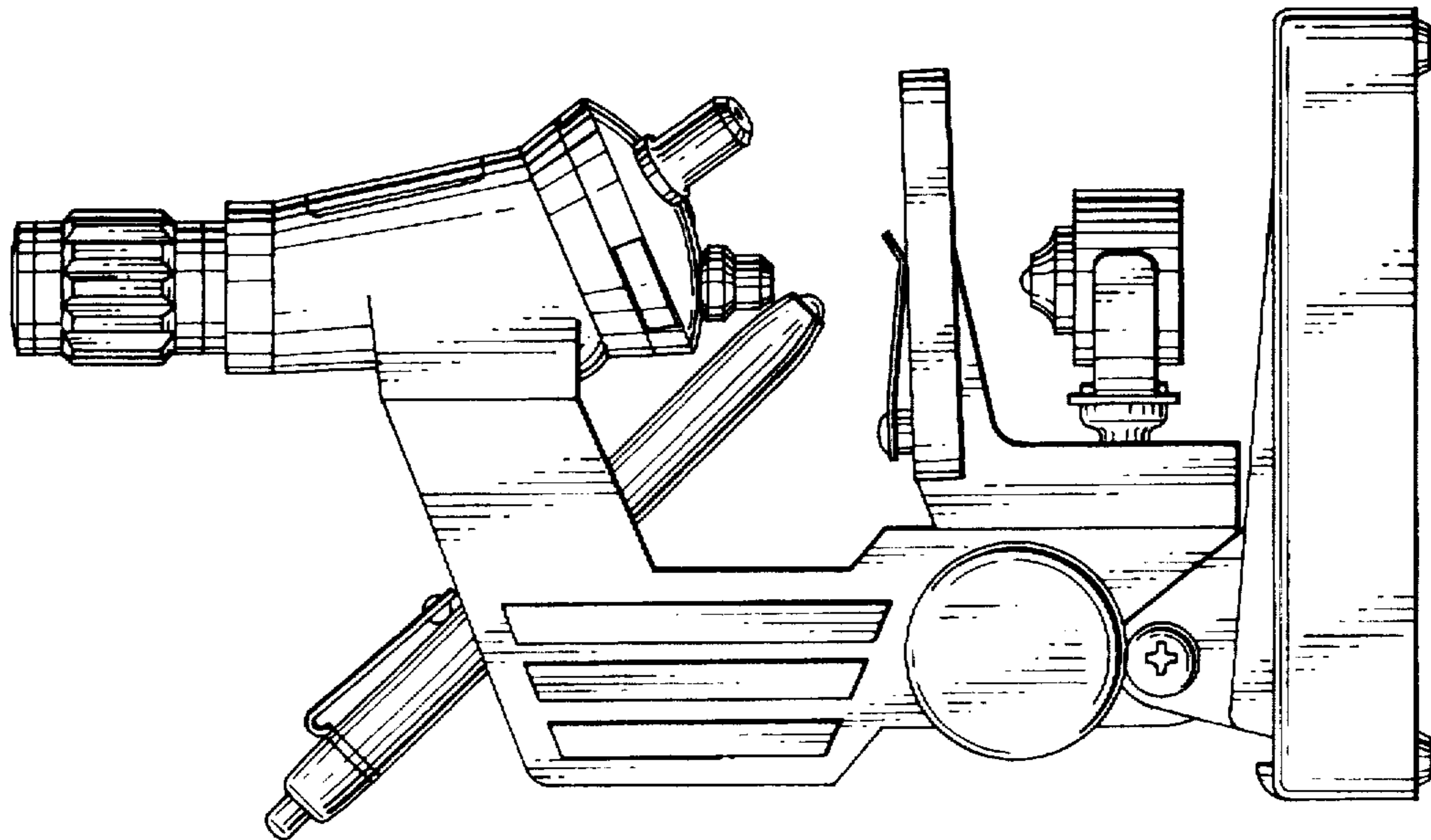


FIG.9

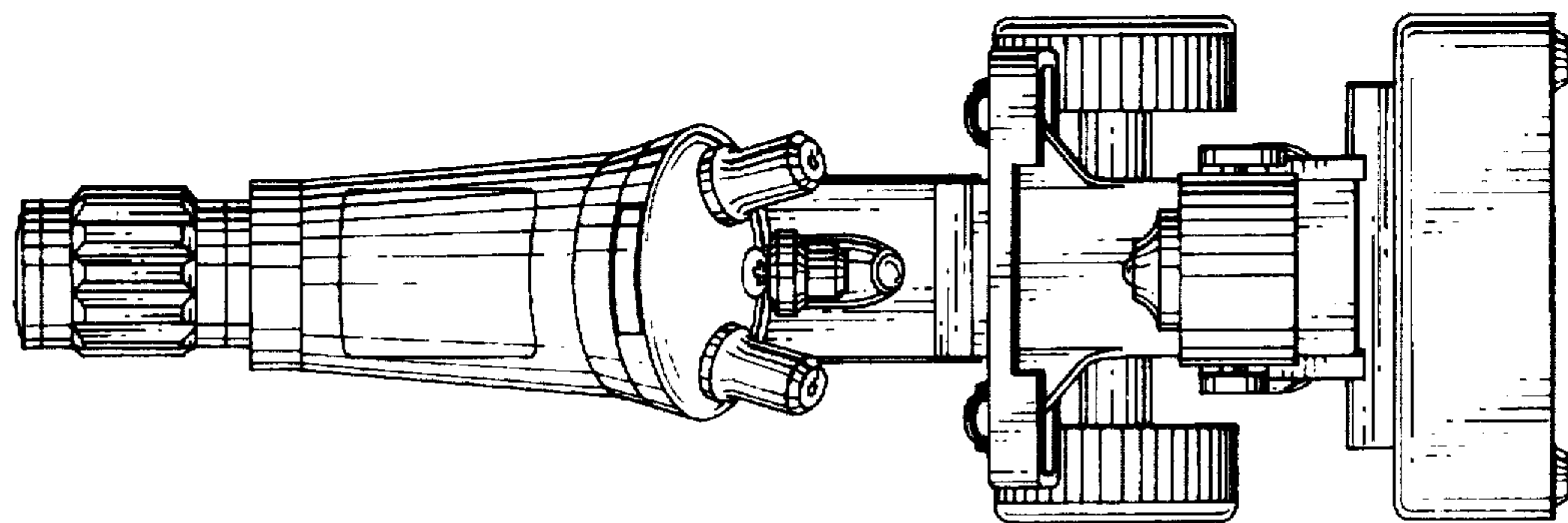


FIG. 11

