



US00D395900S

United States Patent [19]

Shannon et al.

[11] Patent Number: **Des. 395,900**

[45] Date of Patent: ****Jul. 7, 1998**

[54] **GREENS KEEPER**

[75] Inventors: **Michael S. Shannon**, Alpine; **Robert W. Songer**, Jackson, both of Wyo.

[73] Assignee: **Alpine Engineering, Inc.**, Alpine, Wyo.

[**] Term: **14 Years**

[21] Appl. No.: **70,738**

[22] Filed: **Apr. 8, 1997**

[51] LOC (6) Cl. **15-03**

[52] U.S. Cl. **D15/28**

[58] Field of Search D15/10.11, 13, D15/14, 17, 27, 28; 56/16.4, 16.6; 172/29, 439, 445.1; D32/15, 16, 19, 20

[56] **References Cited**

U.S. PATENT DOCUMENTS

- 4,777,786 10/1988 Arnold 56/16.6
- 5,018,587 5/1991 Gandrud et al. 172/445.1
- 5,477,927 12/1995 Figura 172/29

Primary Examiner—Sandra L. Morris
Attorney, Agent, or Firm—Christensen O'Connor Johnson & Kindness PLLC

[57] **CLAIM**

The ornamental design for a greens keeper, as shown and described.

DESCRIPTION

FIG. 1 is a perspective view of a greens keeper showing our new design;

FIG. 2 is a top view thereof;

FIG. 3 is a bottom view thereof;

FIG. 4 is a front view thereof;

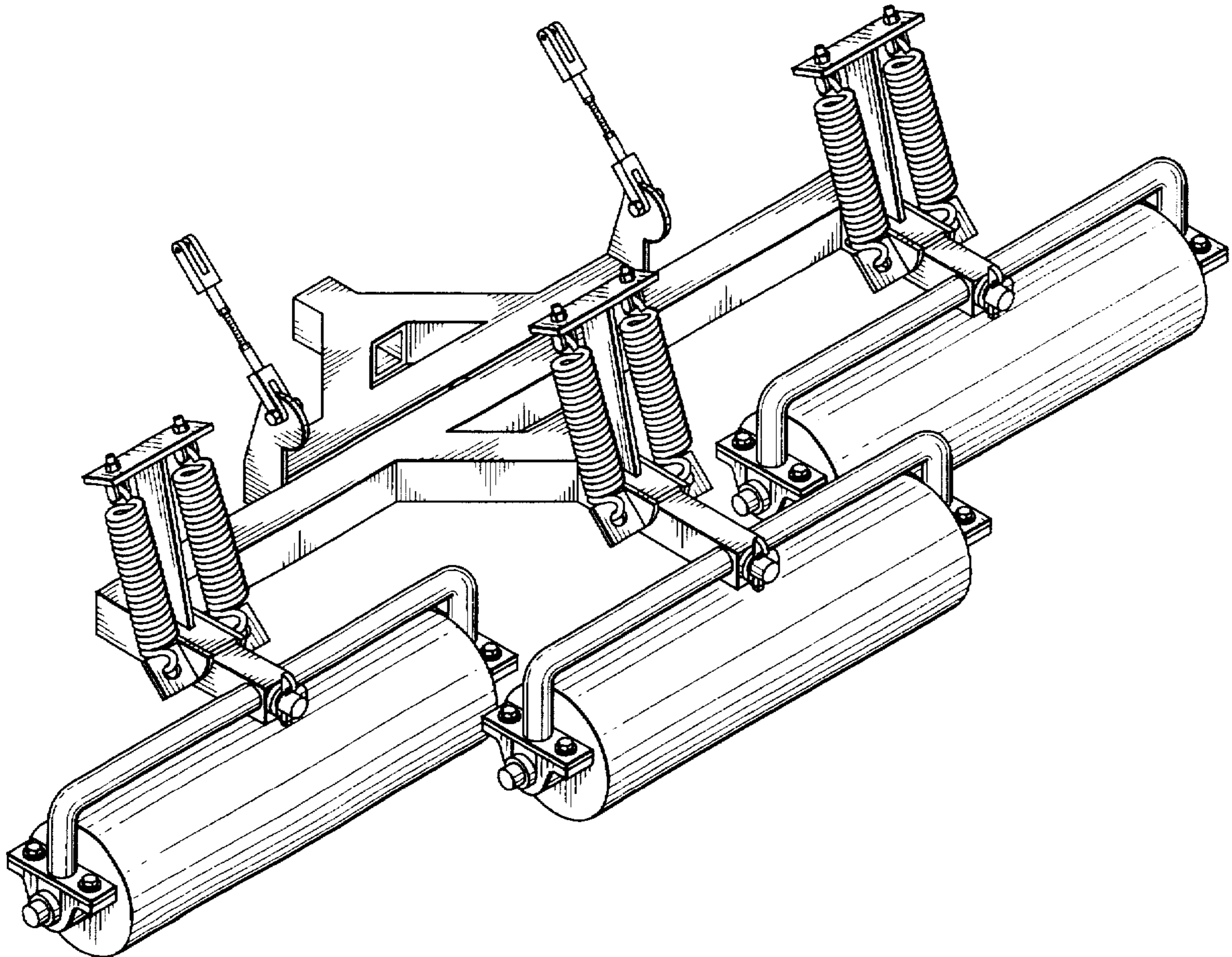
FIG. 5 is a back view thereof;

FIG. 6 is a side view thereof;

FIG. 7 is a view of the opposite side thereof; and,

FIG. 8 is a front perspective view of a second embodiment thereof, the configuration of the rear of the brushes being identical to the front view.

1 Claim, 6 Drawing Sheets



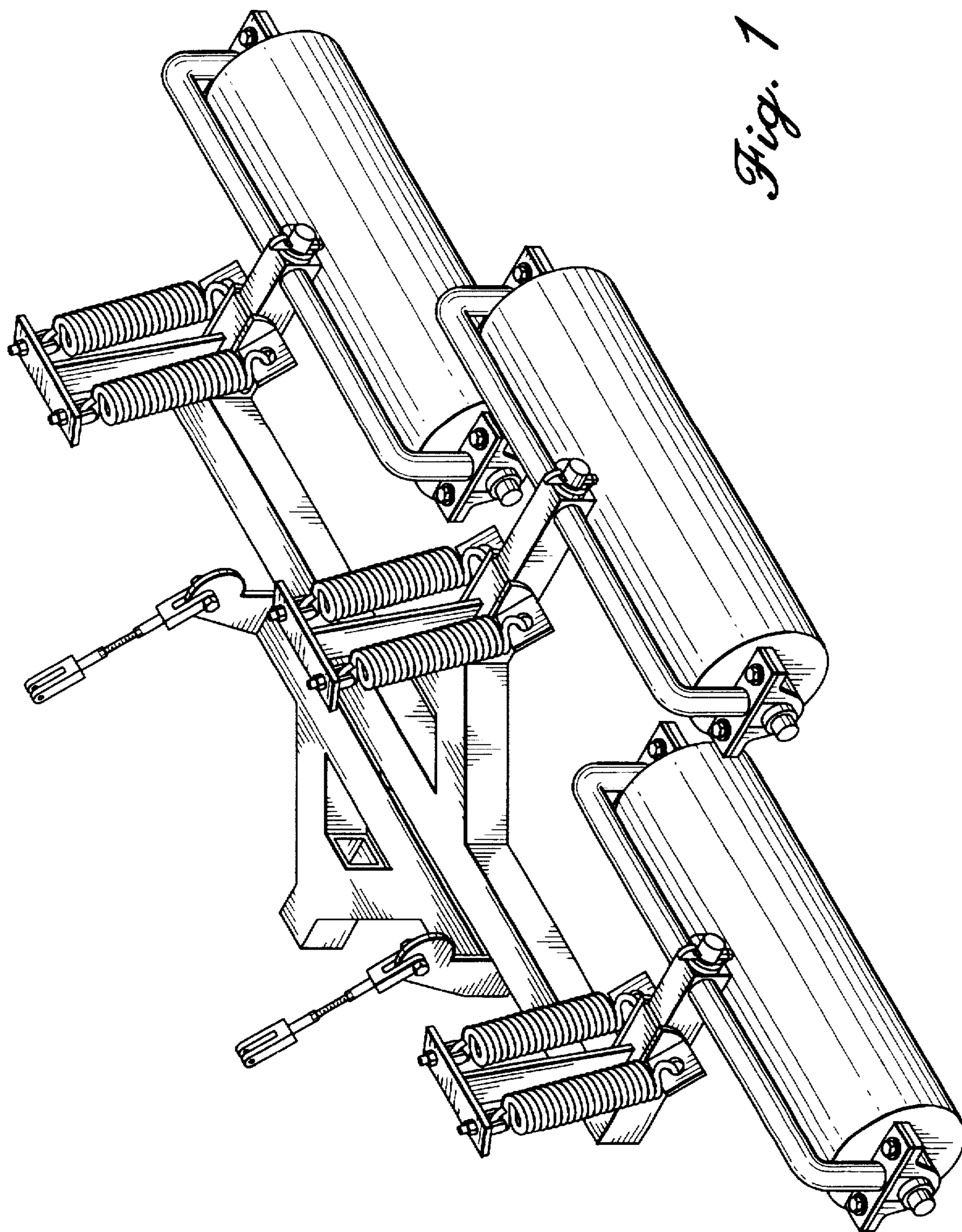


Fig. 1

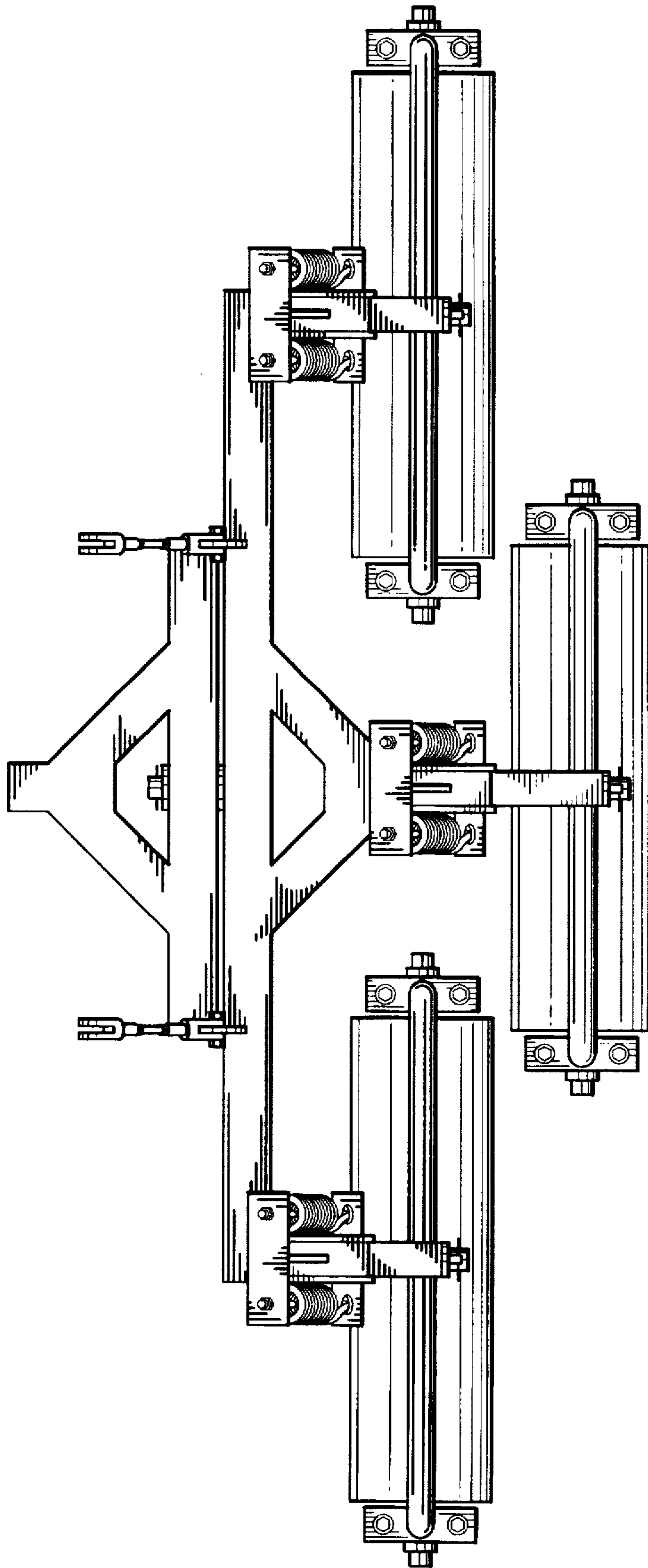


Fig. 2

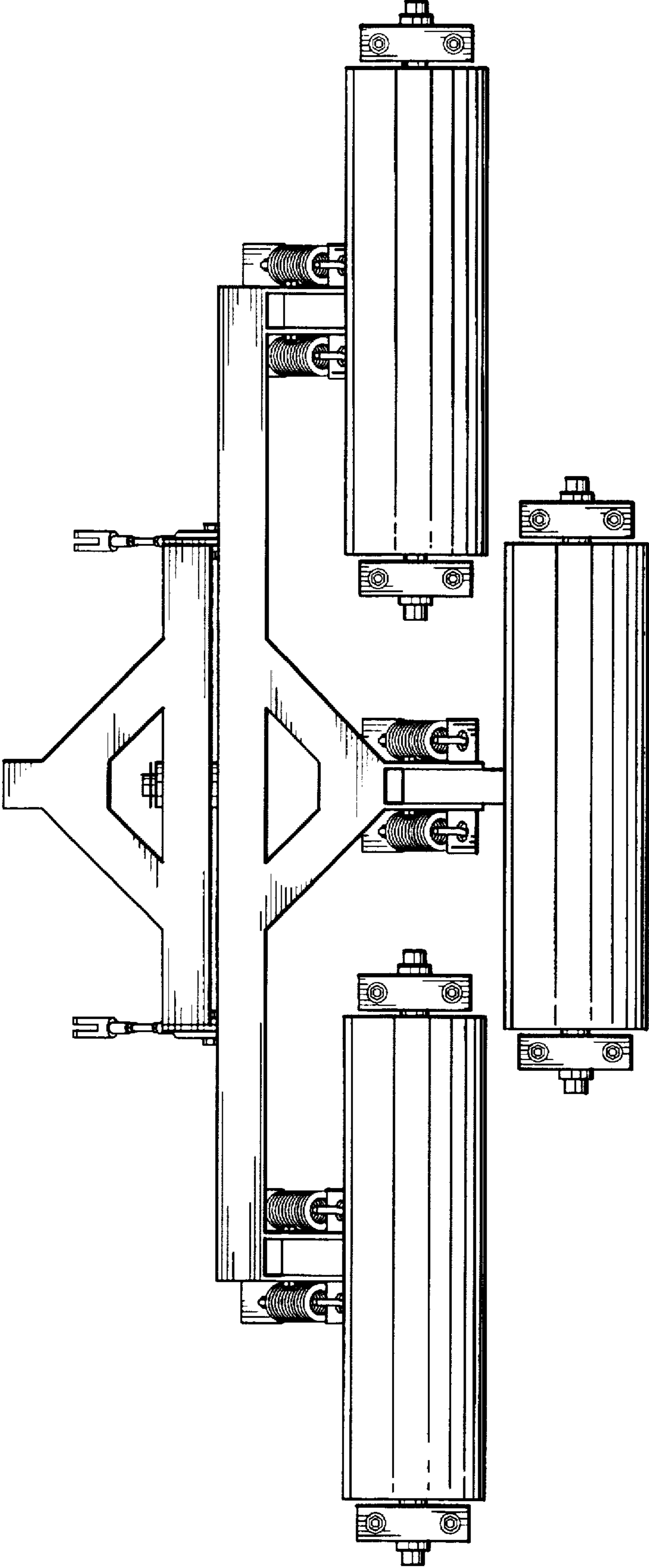


Fig. 3

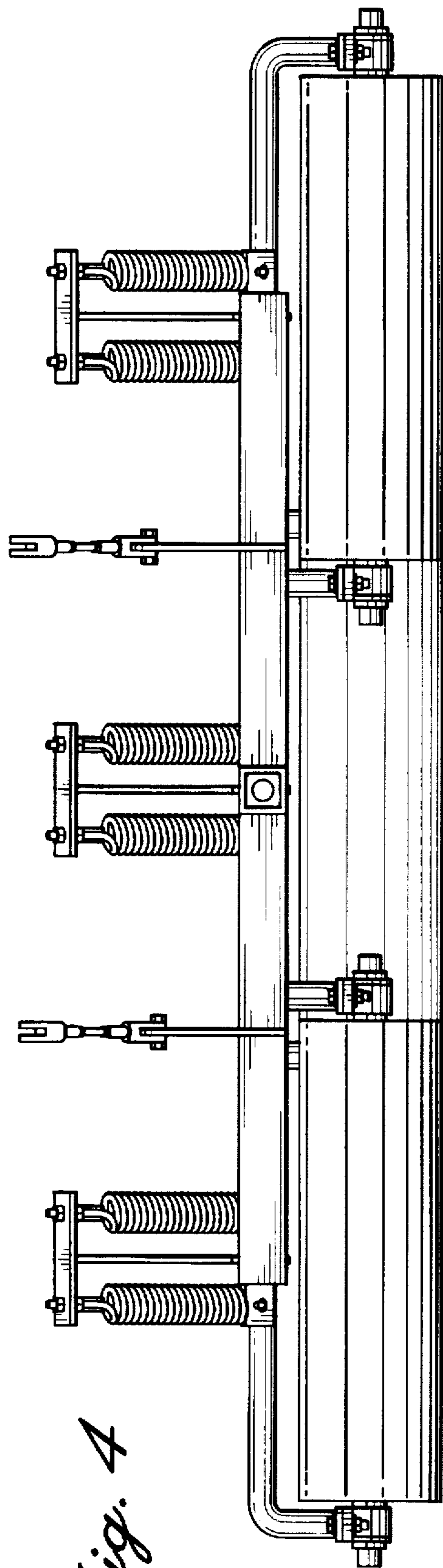


Fig. 4

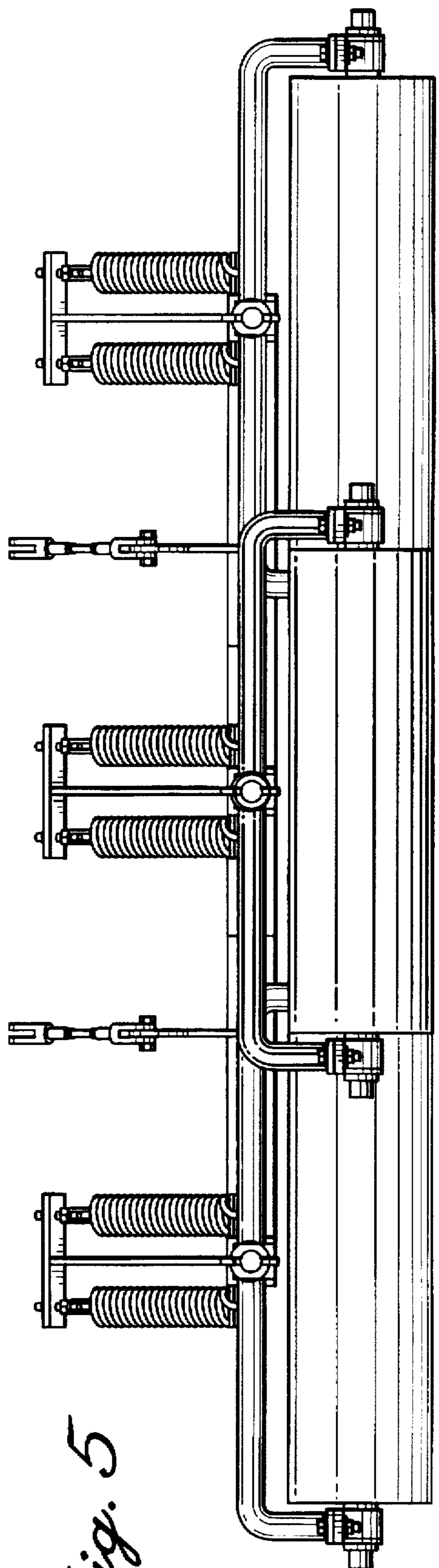


Fig. 5

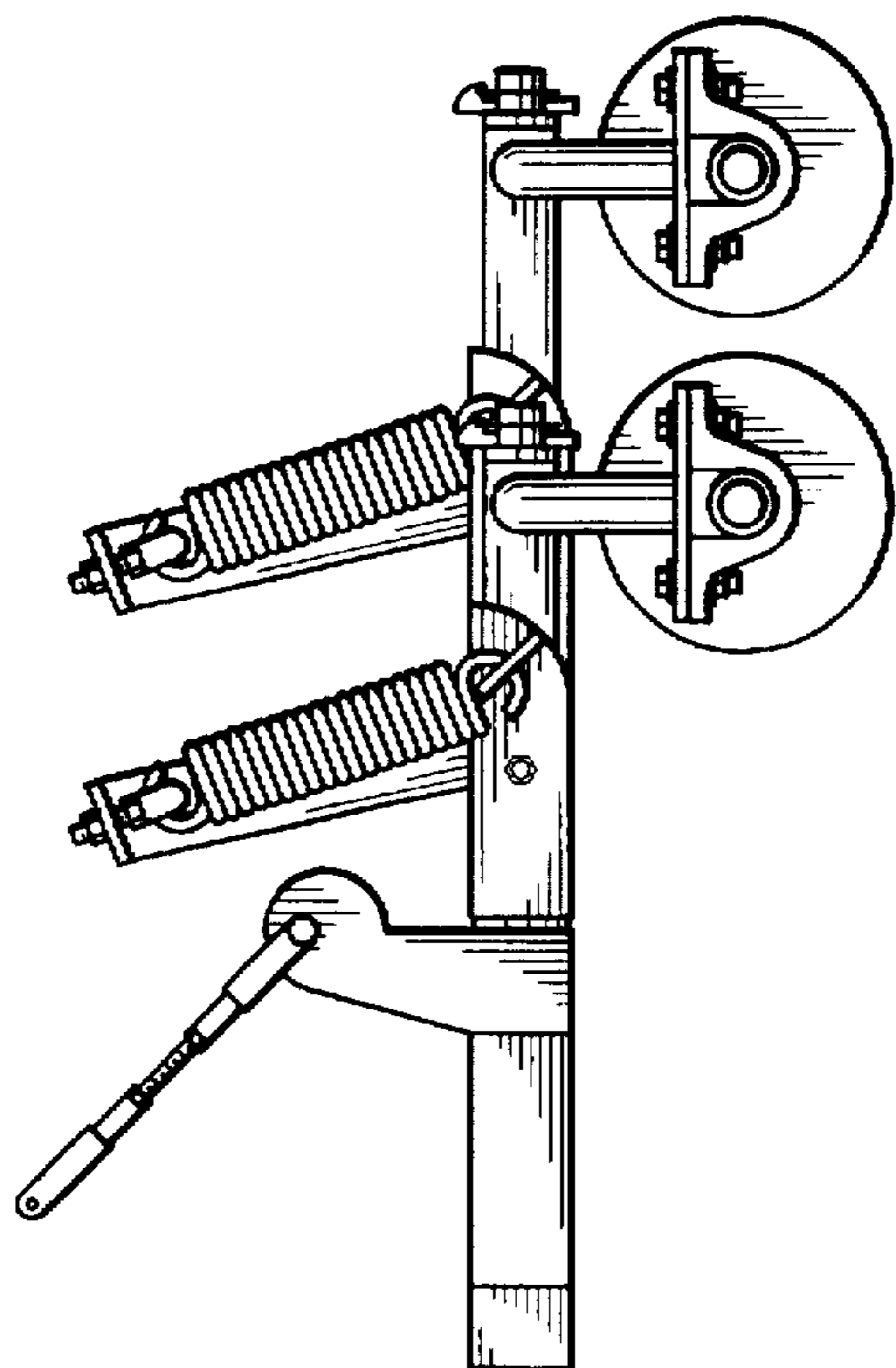


Fig. 7

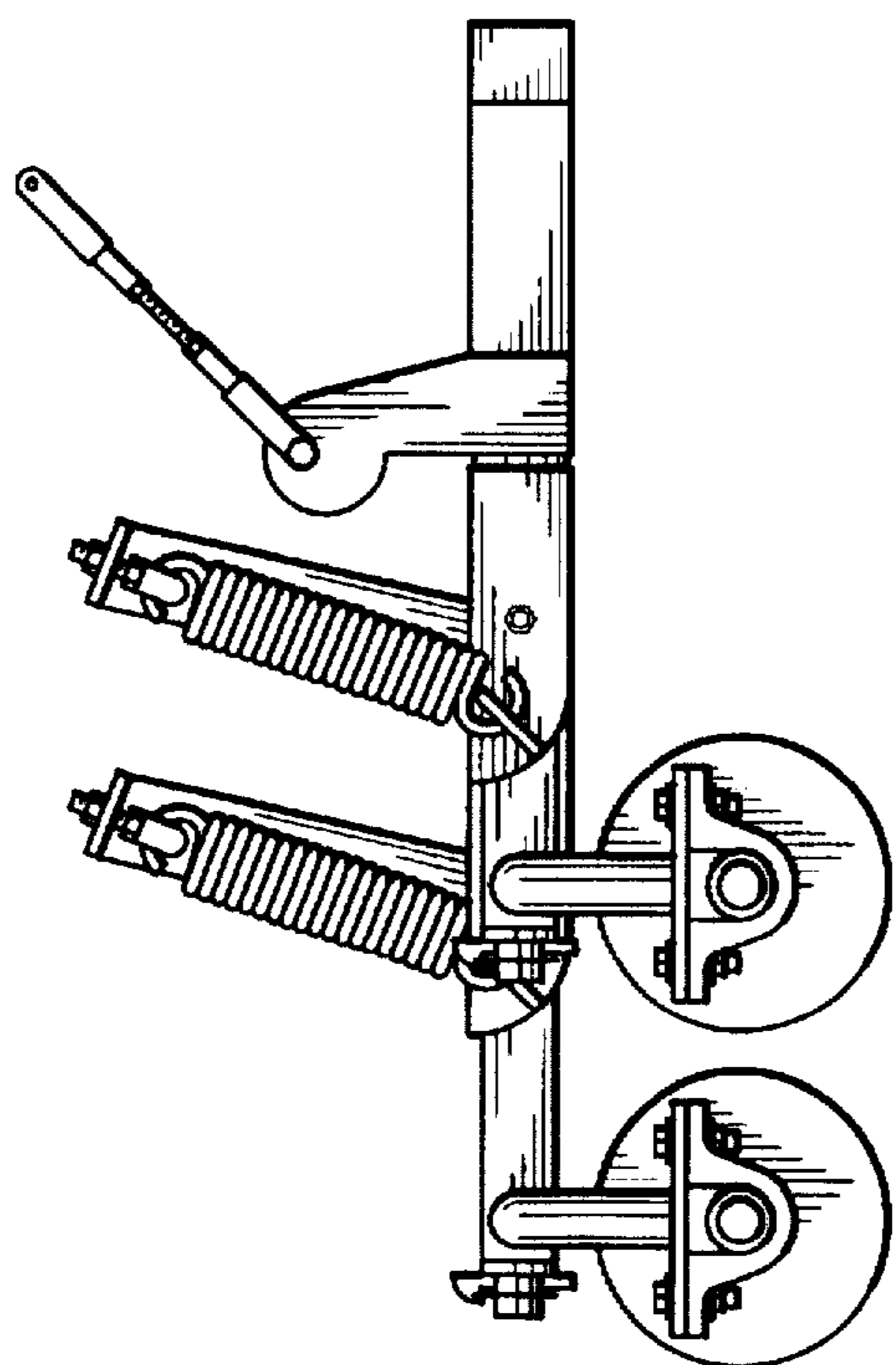


Fig. 6

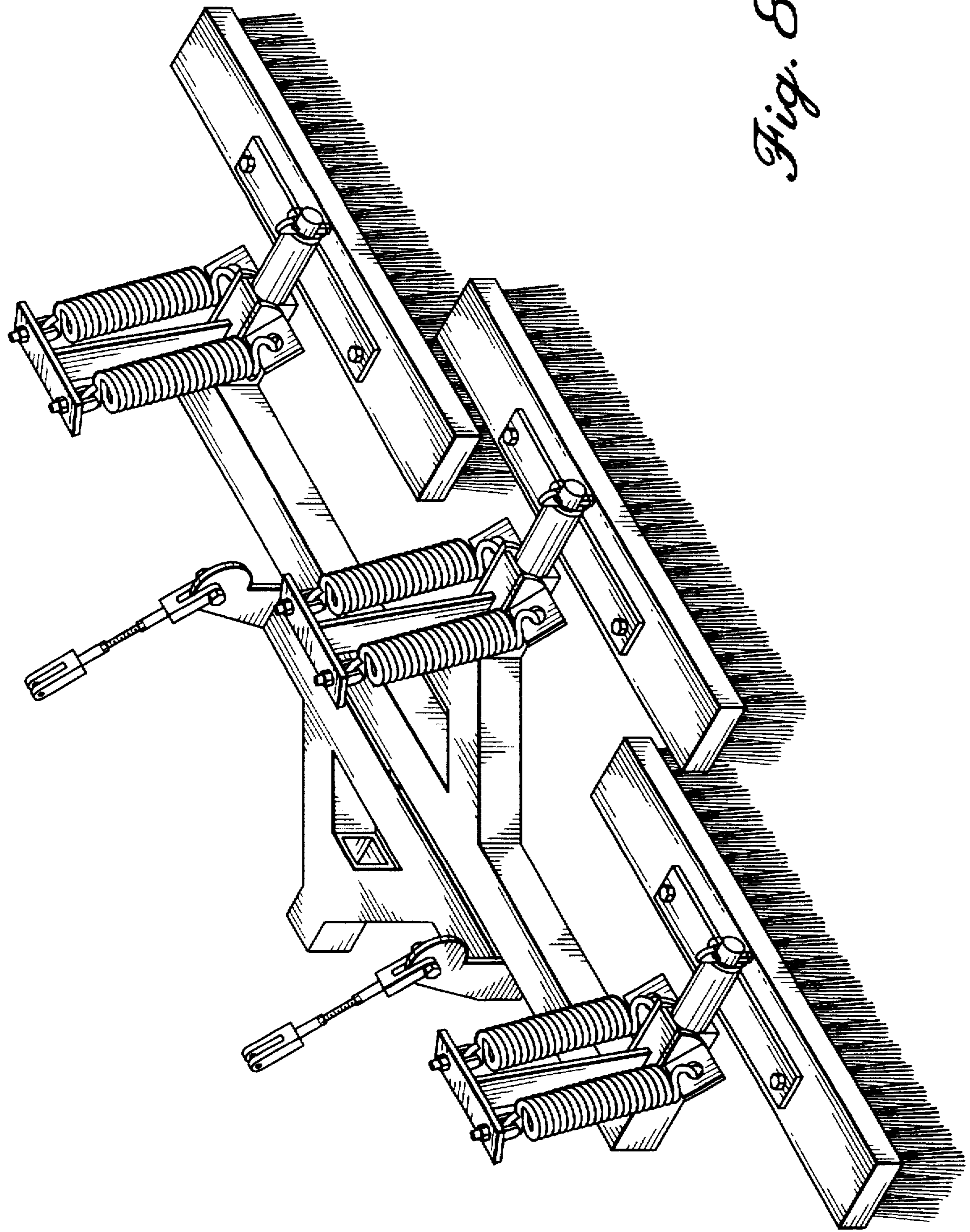


Fig. 8