



US00D395899S

United States Patent [19]

Plummer et al.

[11] Patent Number: **Des. 395,899**

[45] Date of Patent: ****Jul. 7, 1998**

[54] **RECIPROCATING COMPRESSOR**

D. 352,041 11/1994 Hansen D15/7
D. 372,034 7/1996 Handzel et al. D15/7

[75] Inventors: **Darrill L. Plummer**, Charlotte; **Mike Allen**, Mooresville; **Gregory W. Hallman**, China Grove; **Anthony W. Joy**, Cornelius; **Robert R. Gibson**; **Christopher F. Yonge**, both of Charlotte, all of N.C.

Primary Examiner—Ralf Seifert
Attorney, Agent, or Firm—Michael M. Gnibus

[73] Assignee: **Ingersoll-Rand Company**, Woodcliff Lake, N.J.

[57] **CLAIM**

The ornamental design for a reciprocating compressor, as shown and described.

[**] Term: **14 Years**

DESCRIPTION

[21] Appl. No.: **53,480**

FIG. 1 is a rear view a reciprocating compressor showing our new desiign;

[22] Filed: **Apr. 23, 1996**

FIG. 2 is a front view thereof;

[51] **LOC (6) Cl.** **15-02**

FIG. 3 is a left side view thereof;

[52] **U.S. Cl.** **D15/7**

FIG. 4 is a right side view thereof;

[58] **Field of Search** D15/7-9.1; 417/234, 417/229, 321, 410, 411, 265, 415, 405, 38, 40, 360

FIG. 5 is a top view thereof; and,

FIG. 6 is a bottom view thereof.

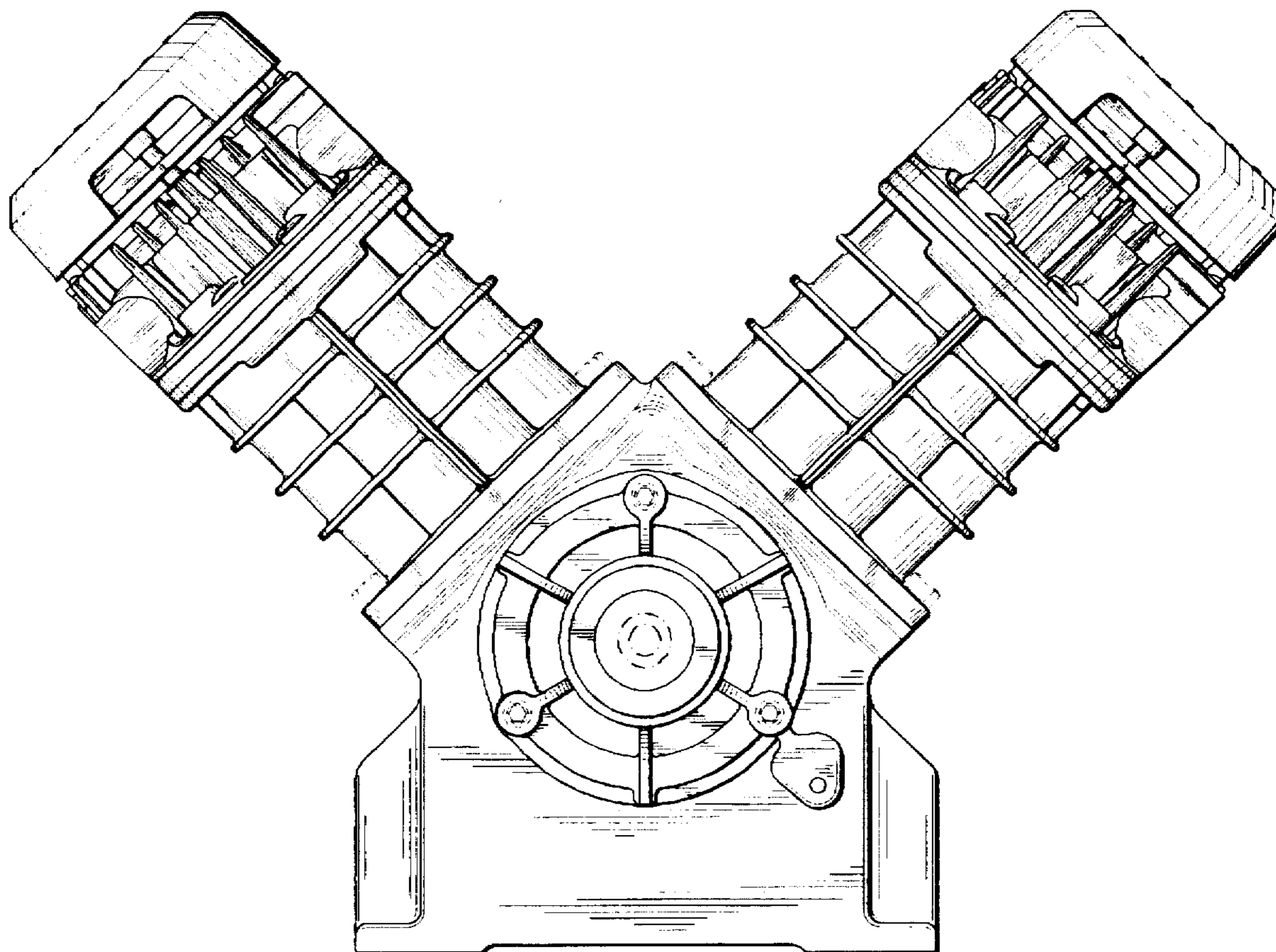
The broken line showing of fasteners and the main compressor shaft, in FIGS. 1-6, is for illustrative purposes only and forms no part of the claimed design.

[56] **References Cited**

U.S. PATENT DOCUMENTS

D. 250,113 10/1978 Nobata D15/9

1 Claim, 6 Drawing Sheets



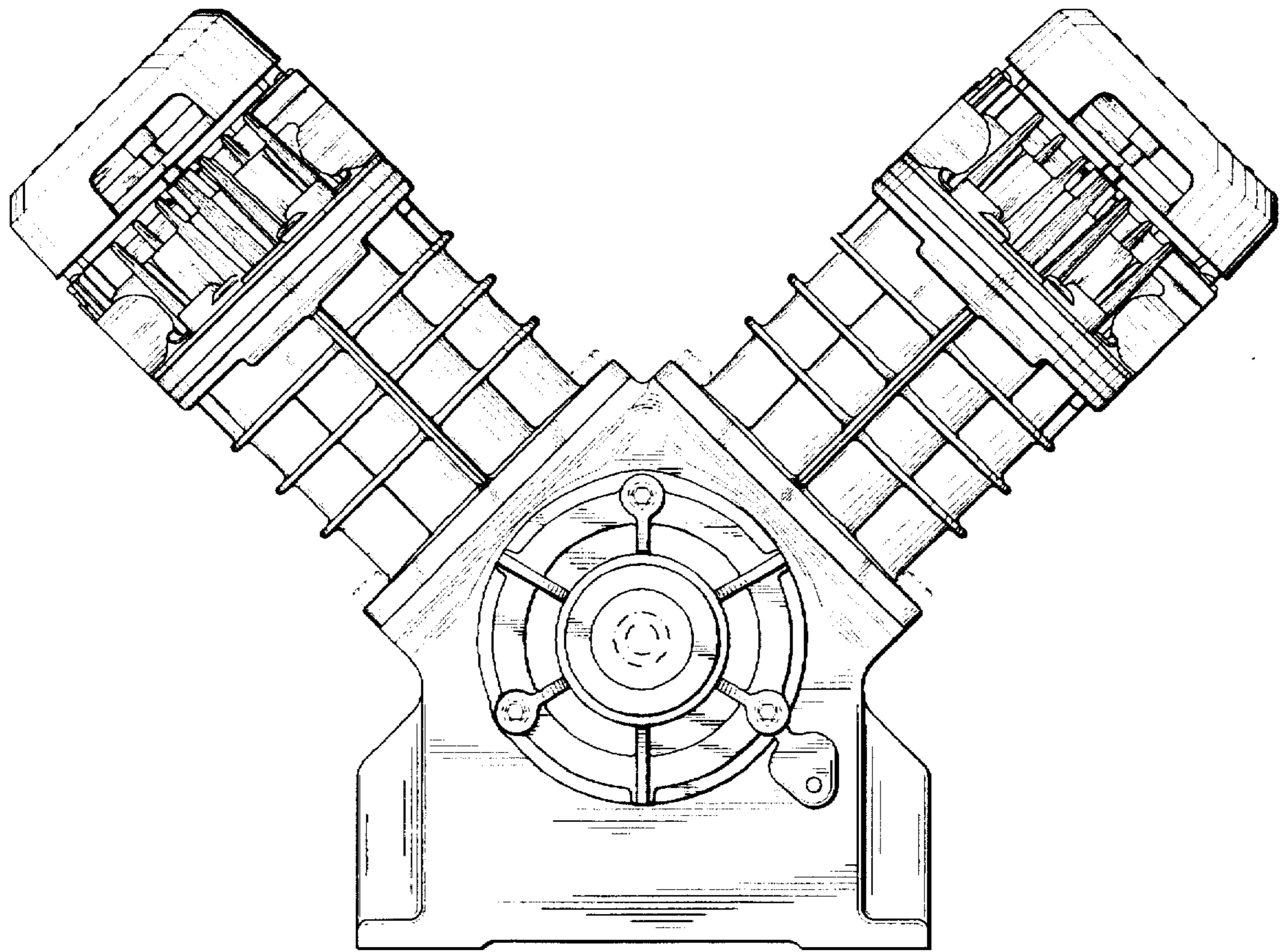


FIG. 1

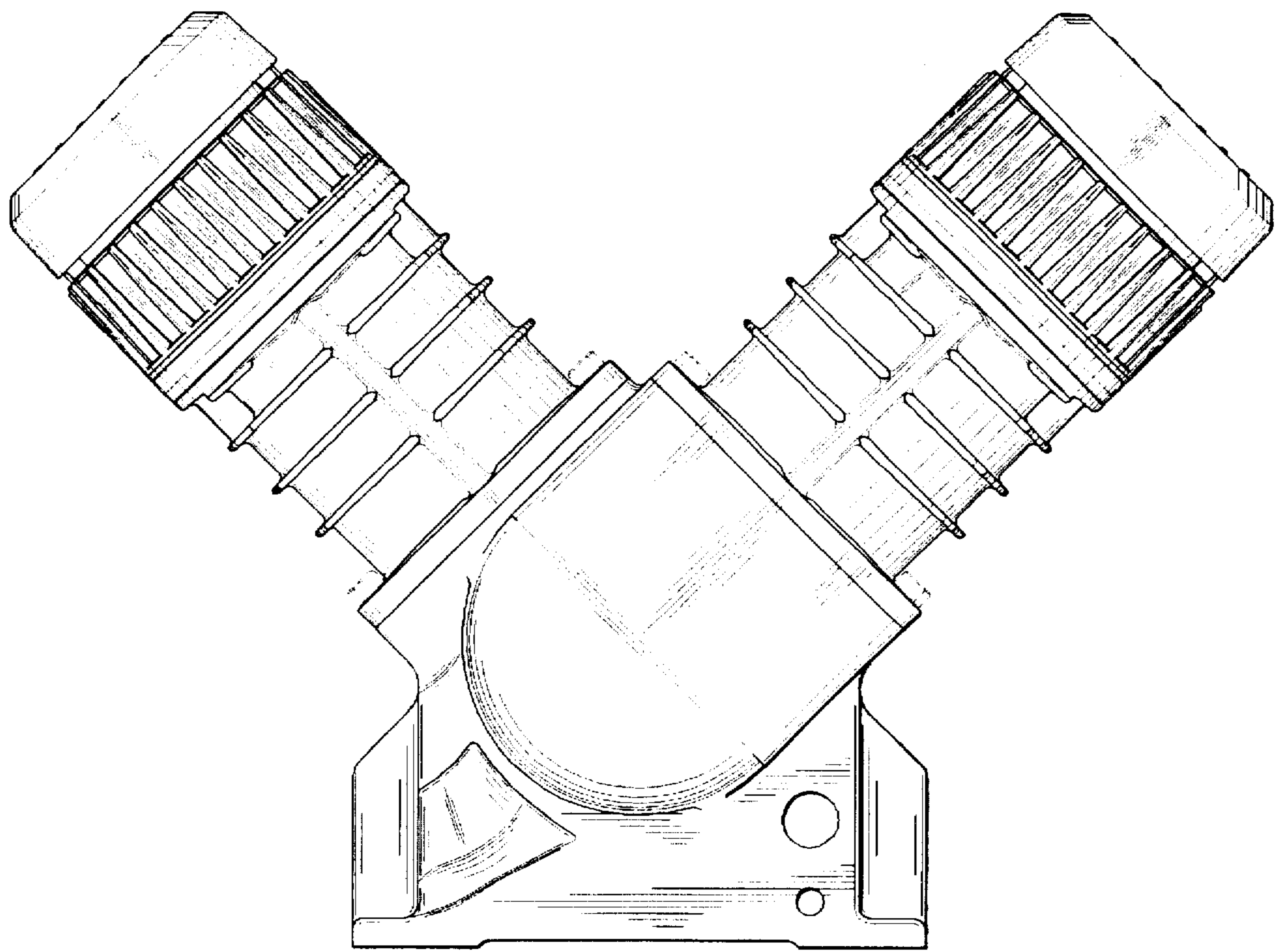


FIG. 2

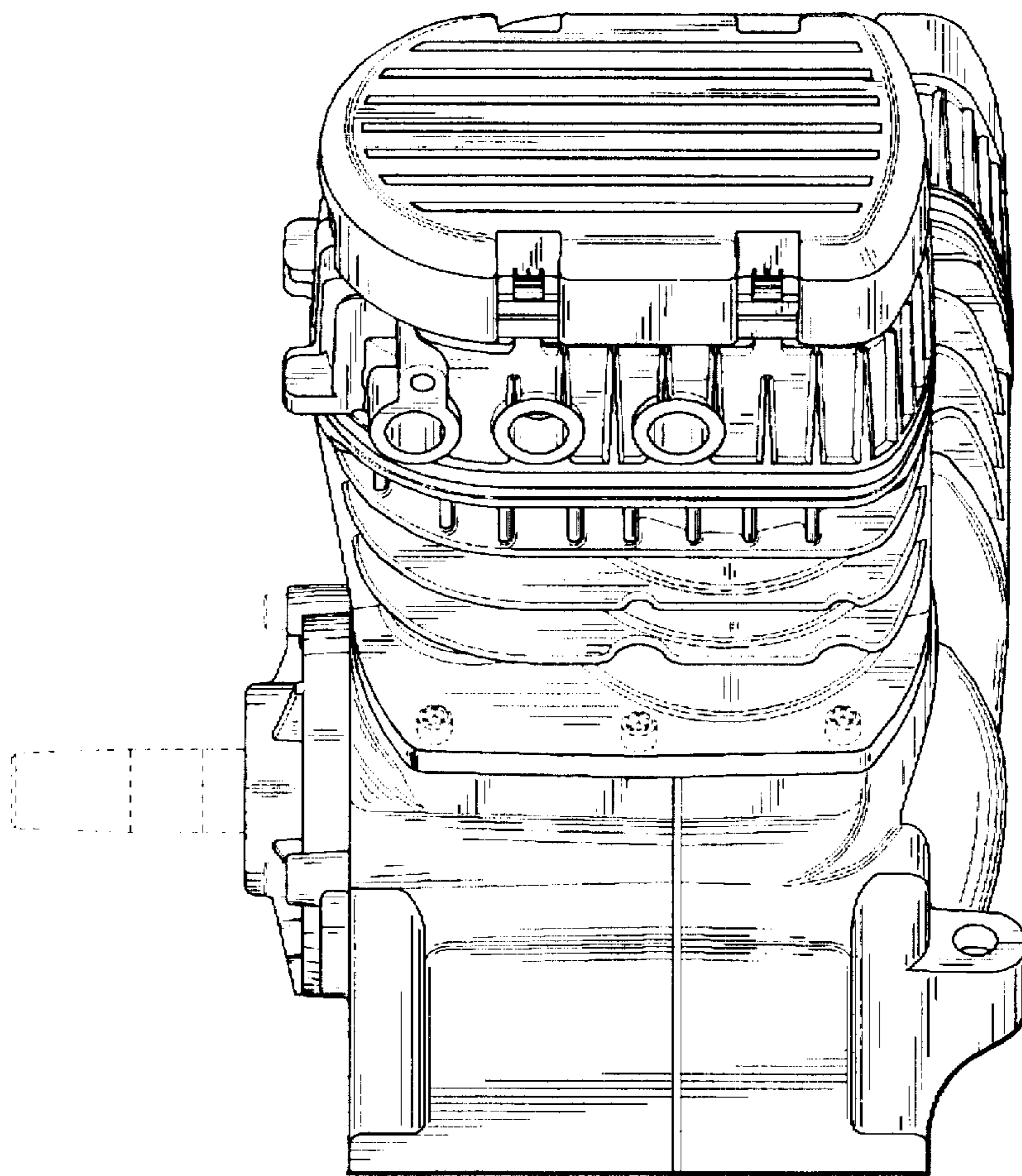


FIG. 3

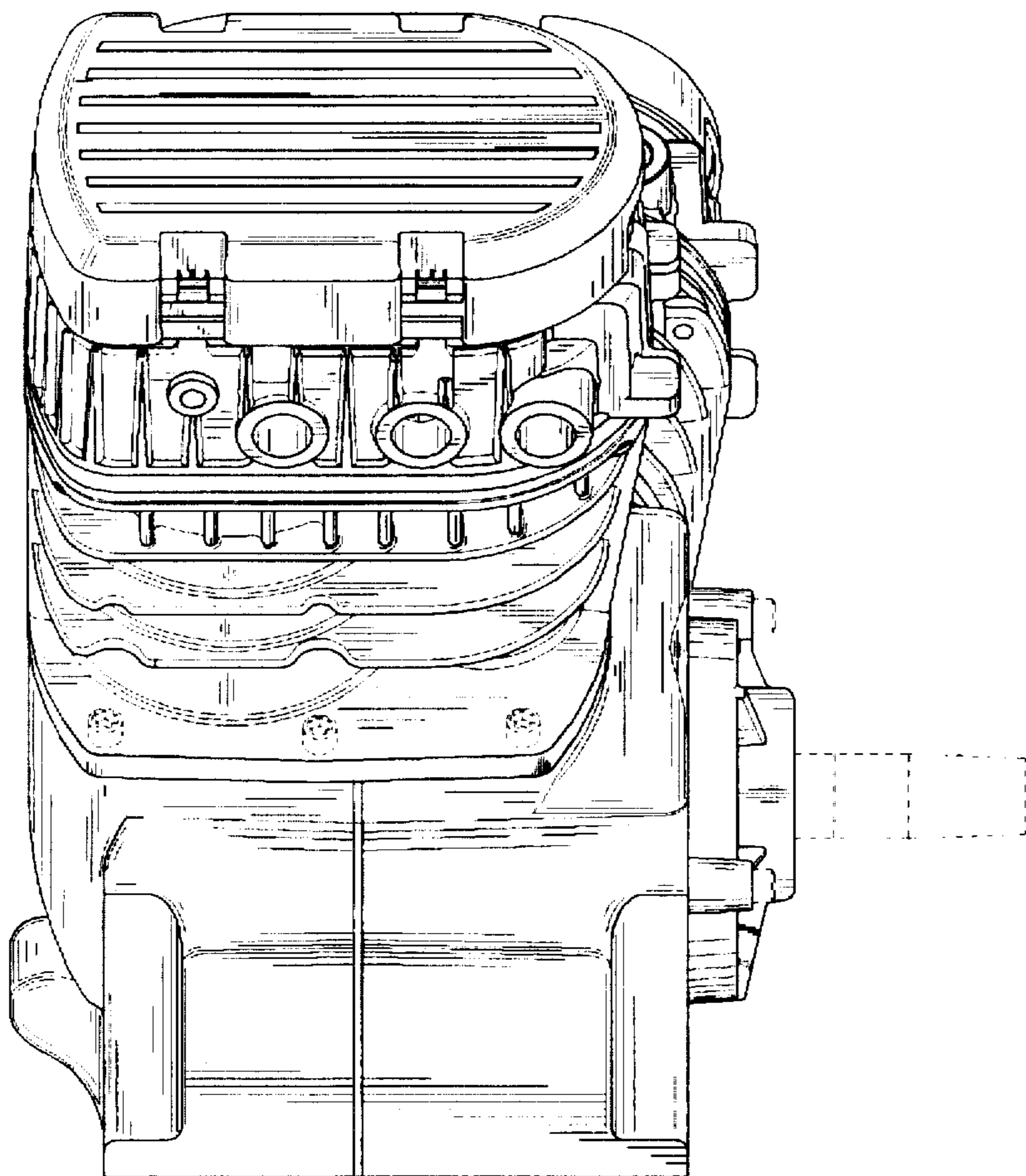


FIG. 4

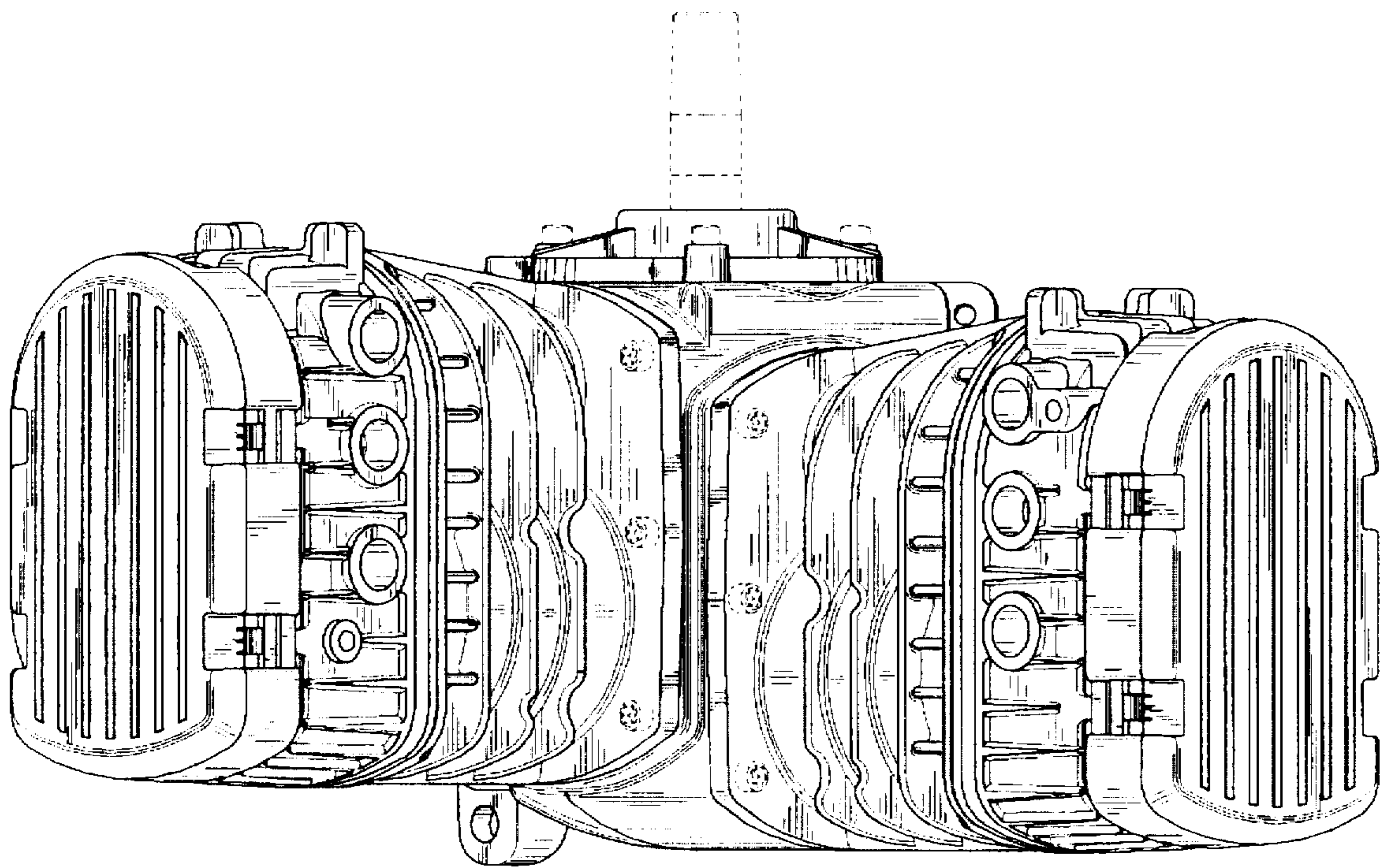


FIG. 5

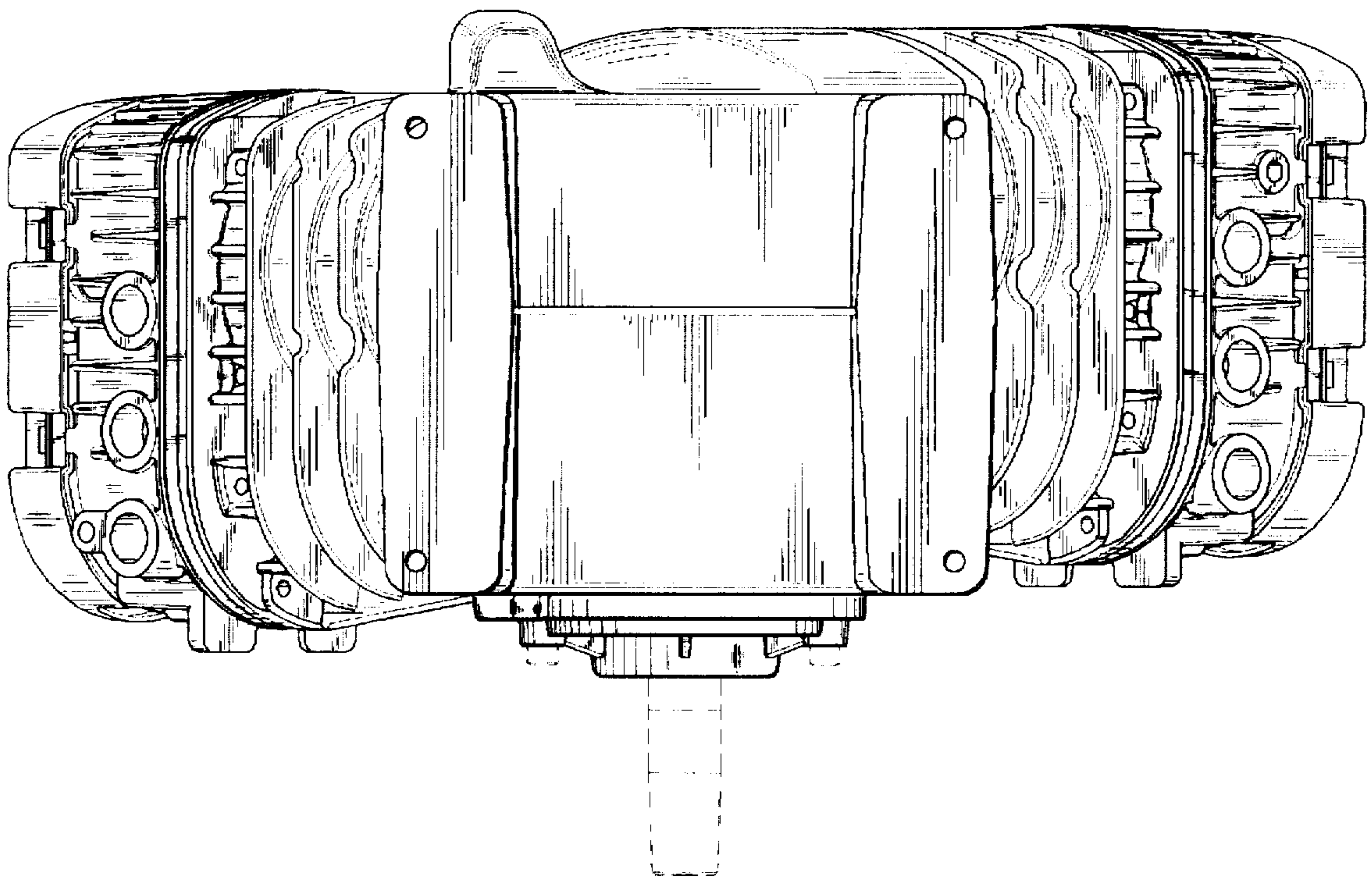


FIG. 6