



US00D395896S

United States Patent [19]

Rosen

[11] Patent Number: Des. 395,896

[45] Date of Patent: **Jul. 7, 1998

[54] **HANDLE GRIP**

4,843,477 6/1989 Mizutani et al. 348/837

[75] Inventor: **John B. Rosen**, Eugene, Oreg.

Primary Examiner—Sandra L. Morris
Assistant Examiner—Richelle Shelton
Attorney, Agent, or Firm—Kolisch, Hartwell, Dickinson,
McCormack & Heuser

[73] Assignee: **Advanced Multimedia Products Corporation**, Eugene, Oreg.

[**] Term: **14 Years**

[57] **CLAIM**

[21] Appl. No.: **67,811**

The ornamental design for a handle grip, as shown and described.

[22] Filed: **Mar. 14, 1997**

DESCRIPTION

[51] LOC (6) Cl. **14-03**

[52] U.S. Cl. **D14/239**; D14/114

[58] **Field of Search** D14/114, 132,
D14/134, 239; D12/345, 415, 418, 421;
D24/158; 248/917-924; 297/188.16, 188.17,
217.3; 312/7.2; 348/825, 827, 836-838;
D8/8, DIG. 1, DIG. 6, DIG. 9, 320

FIG. 1 is an isometric view of a handle grip showing my invention, the articulable monitor mount shown in broken lines is for illustrative purposes only and forms no part of the claimed design;

FIG. 2 is an isometric view of the handle grip shown in FIG. 1, viewed from the left front of the handle grip;

FIG. 3 is a top view of the handle grip shown in FIG. 1;

FIG. 4 is a bottom view thereof;

FIG. 5 is a rear view thereof;

FIG. 6 is a left side view thereof;

FIG. 7 is a front view thereof; and,

FIG. 8 is a right side view thereof.

[56] **References Cited**

U.S. PATENT DOCUMENTS

- D. 89,408 3/1933 Page D8/DIG. 9
- D. 98,276 1/1936 Richheimer et al. D8/DIG. 9
- D. 207,115 3/1967 Keeslar D8/DIG. 9

1 Claim, 1 Drawing Sheet

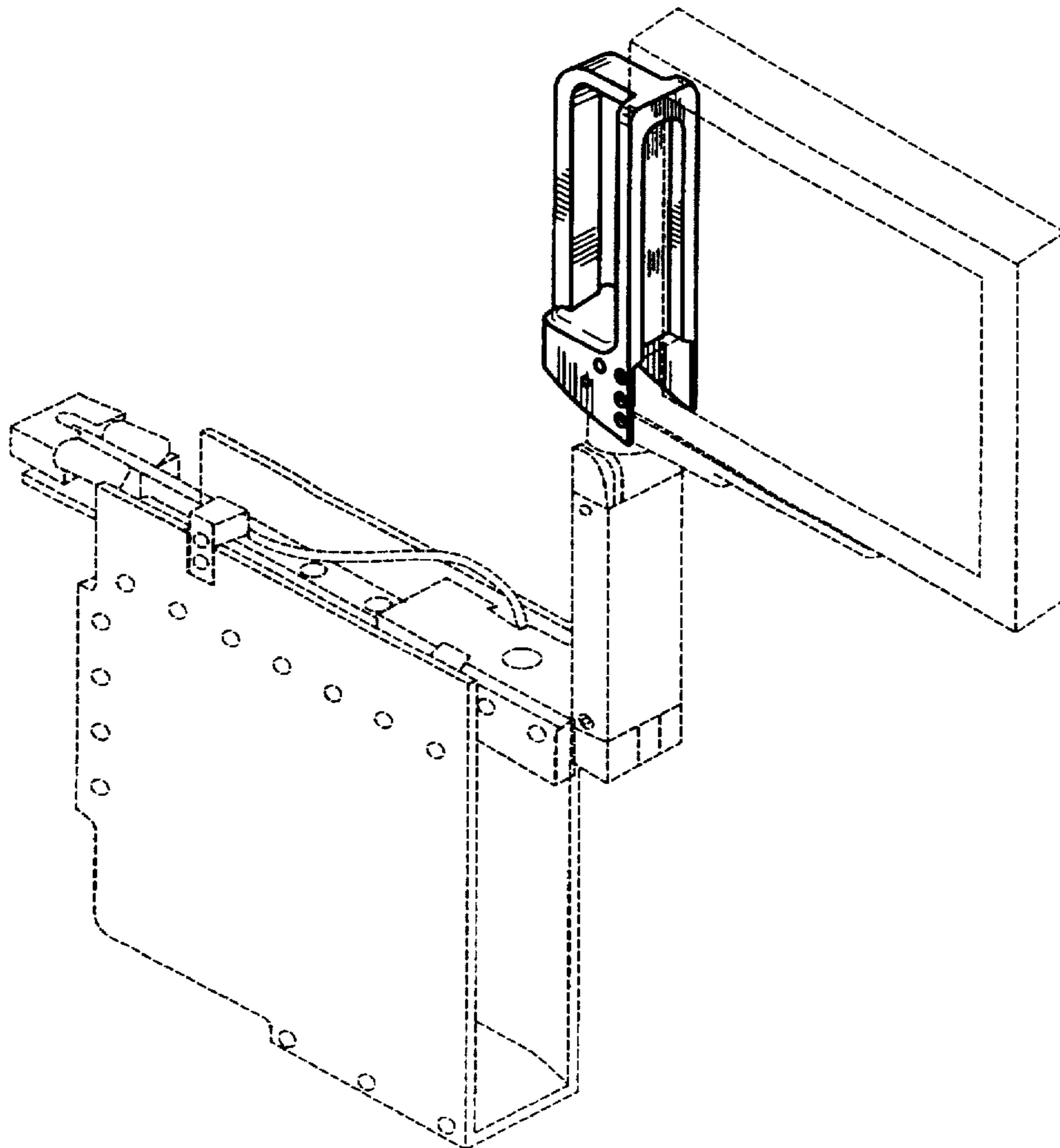


Fig. 1

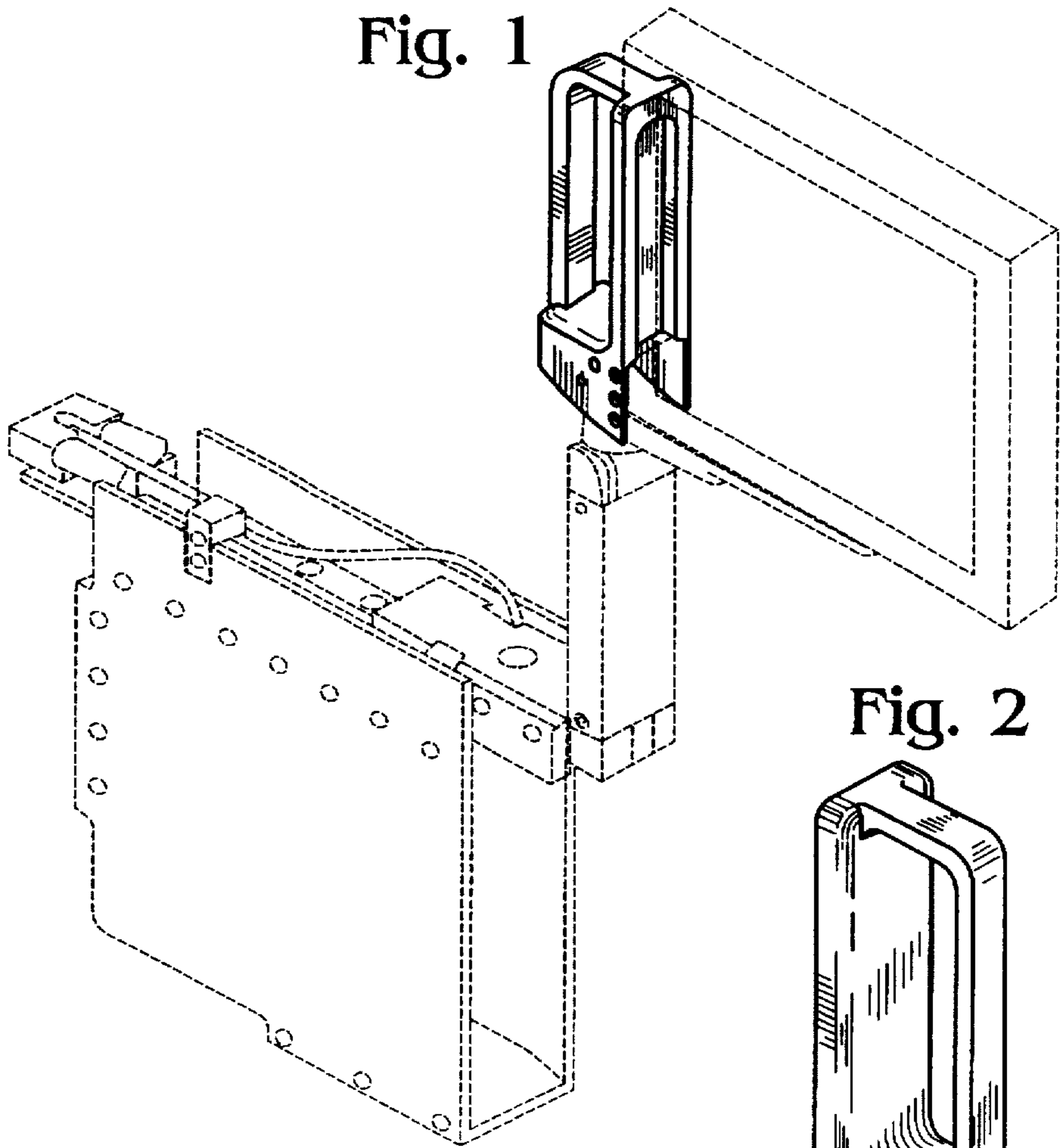


Fig. 2

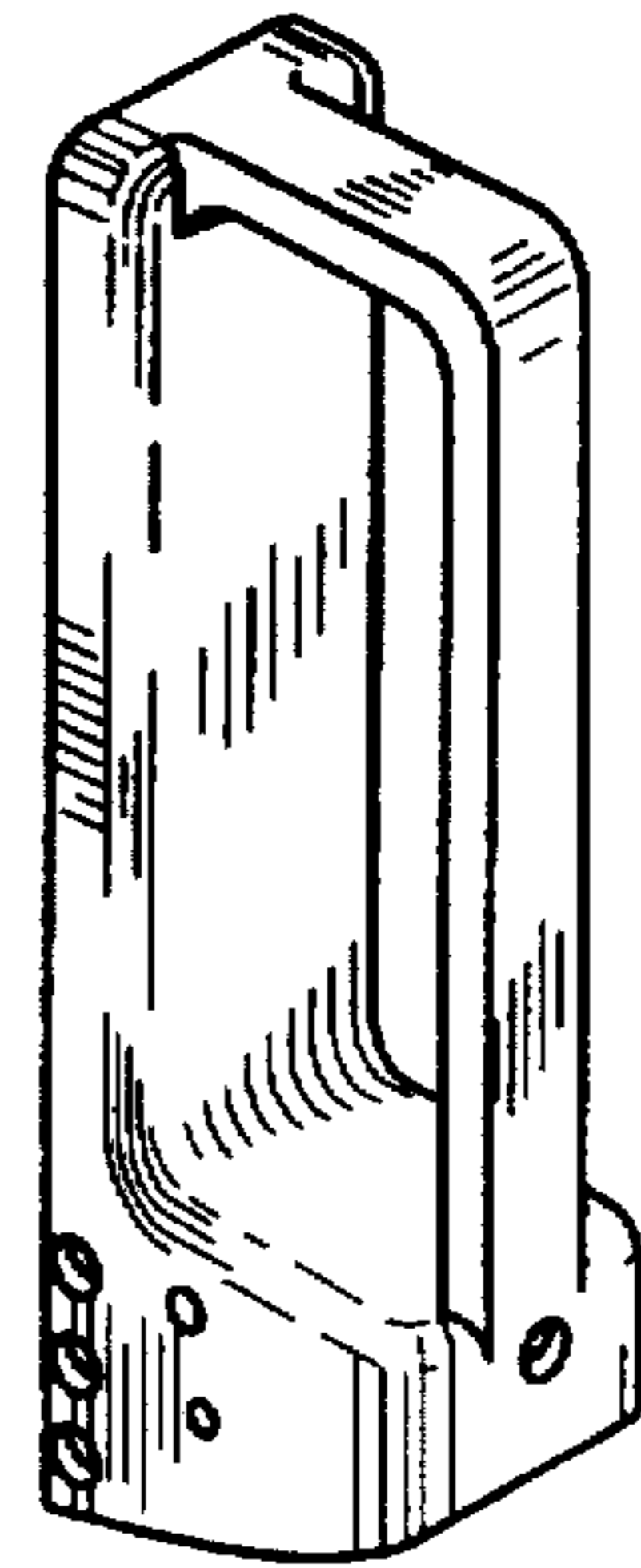


Fig. 3

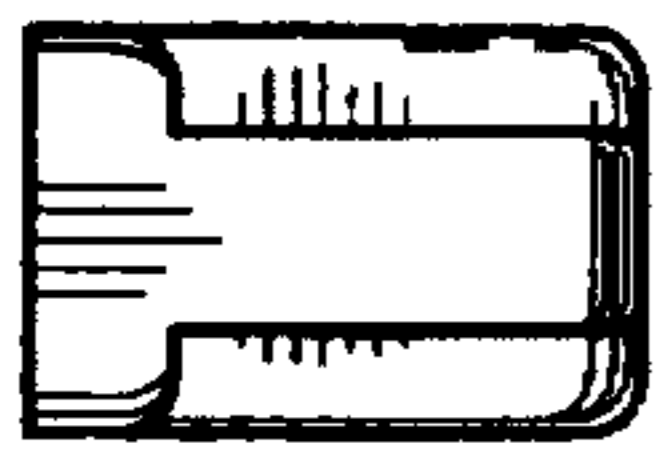


Fig. 4

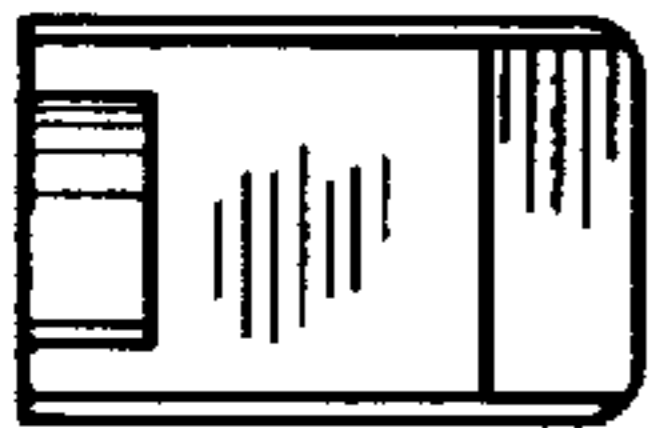


Fig. 5

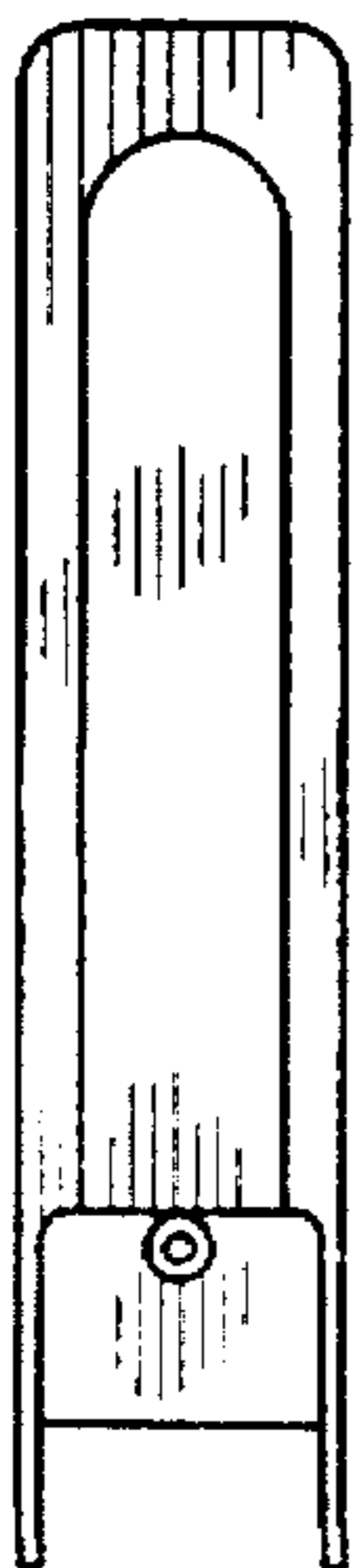


Fig. 6



Fig. 7

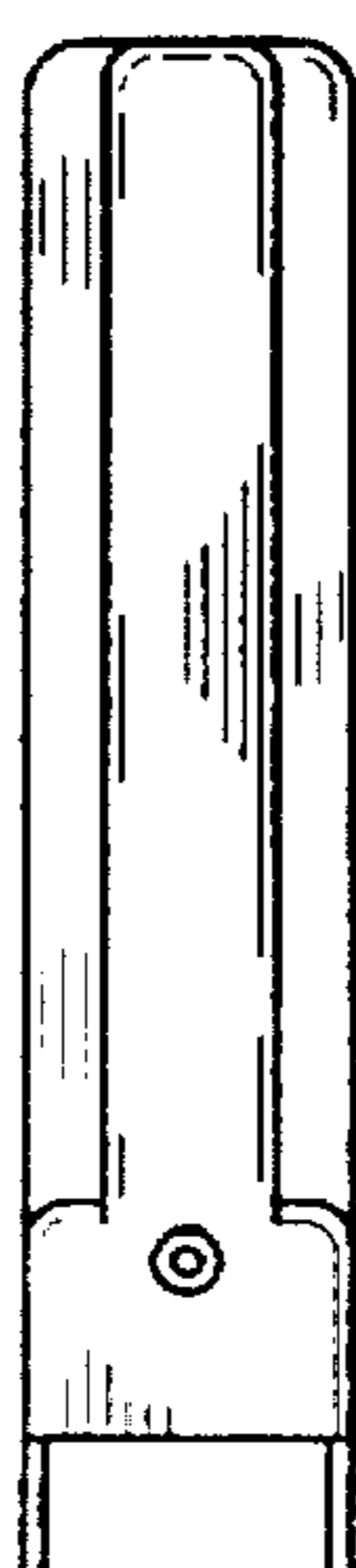


Fig. 8

