



US00D395895S

United States Patent [19]

Flinn

[11] **Patent Number: Des. 395,895**

[45] **Date of Patent: **Jul. 7, 1998**

[54] **MICROPHONE STAND CADDY**

5,143,335 9/1992 Frankel 248/311.2 X
5,318,175 6/1994 Stevens 211/205 X

[76] **Inventor: Robert W. Flinn, Rte. 11, Box 1159, Bedford, Ind. 47421**

Primary Examiner—Ted Shooman
Assistant Examiner—Nanda Bondade
Attorney, Agent, or Firm—Woodard, Emhardt, Naughton, Moriarty & McNett

[**] **Term: 14 Years**

[21] **Appl. No.: 68,087**

[57] **CLAIM**

[22] **Filed: Feb. 6, 1997**

The ornamental design for a microphone stand caddy, as shown and described.

[51] **LOC (6) Cl. 14-01**

[52] **U.S. Cl. D14/229**

[58] **Field of Search** D6/462, 466, 467, D6/468; D8/349, 373, 380; D14/224, 229; 211/205; 248/311.2, 346.01; 181/129, 137

DESCRIPTION

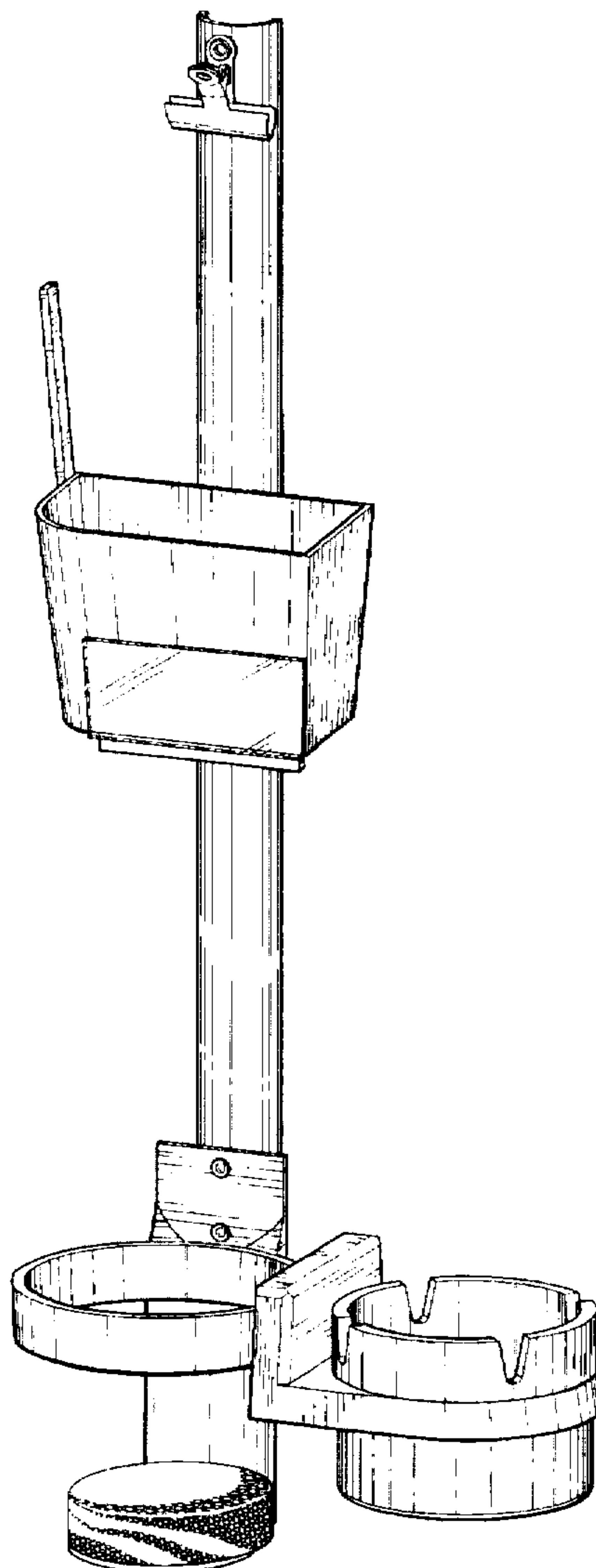
FIG. 1 is a front view of a microphone stand caddy showing my new design;
FIG. 2 is a right side view;
FIG. 3 is a top view;
FIG. 4 is a left side view;
FIG. 5 is a rear view;
FIG. 6 is a bottom view; and,
FIG. 7 is a front perspective view.

[56] **References Cited**

U.S. PATENT DOCUMENTS

D. 333,933 3/1993 Feinbloom D6/486
D. 361,420 8/1995 Riek D6/474 X
D. 373,947 9/1996 Parduhn D8/373
4,496,228 1/1985 Schmidt 248/176.1 X

1 Claim, 3 Drawing Sheets



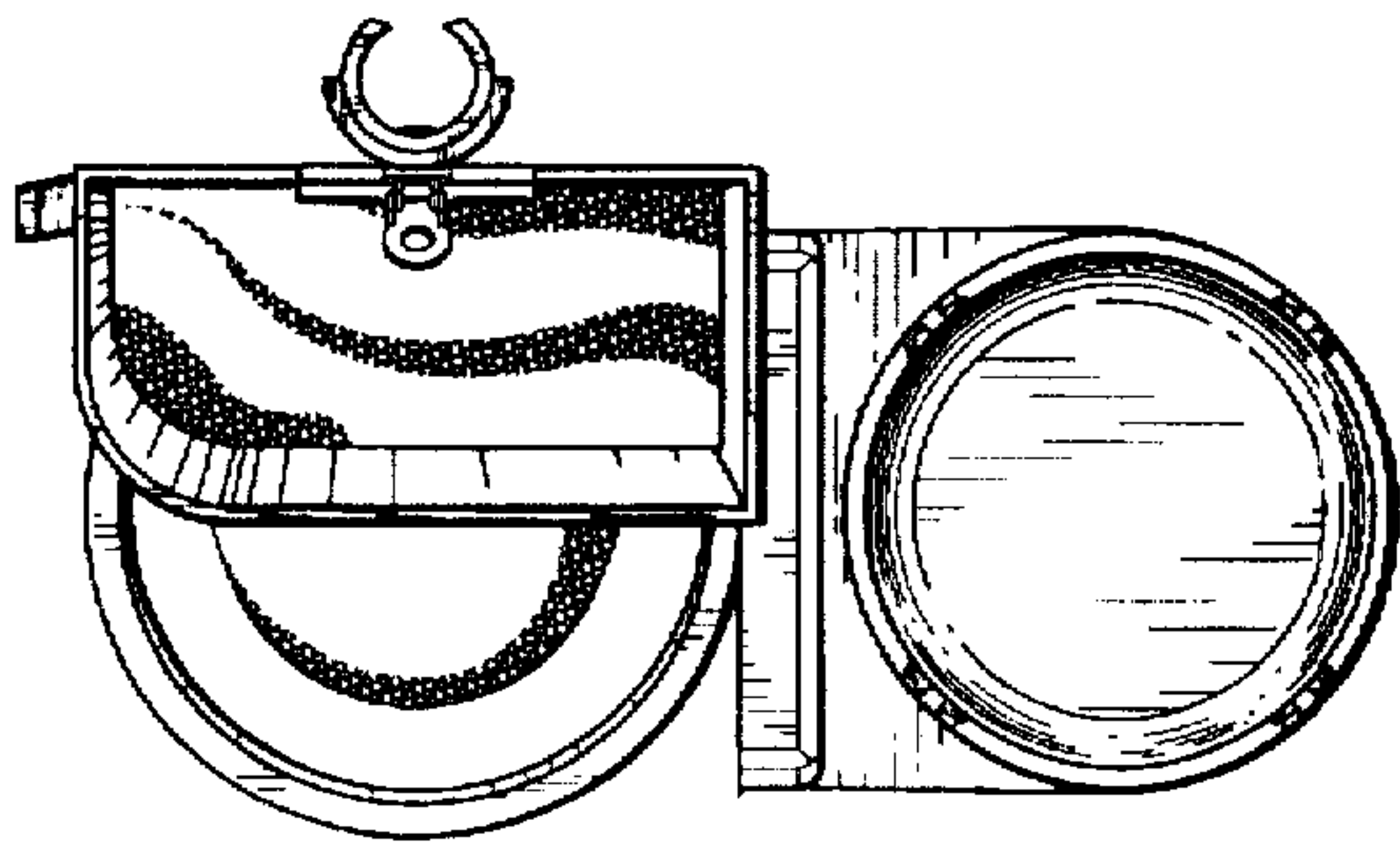


Fig. 3

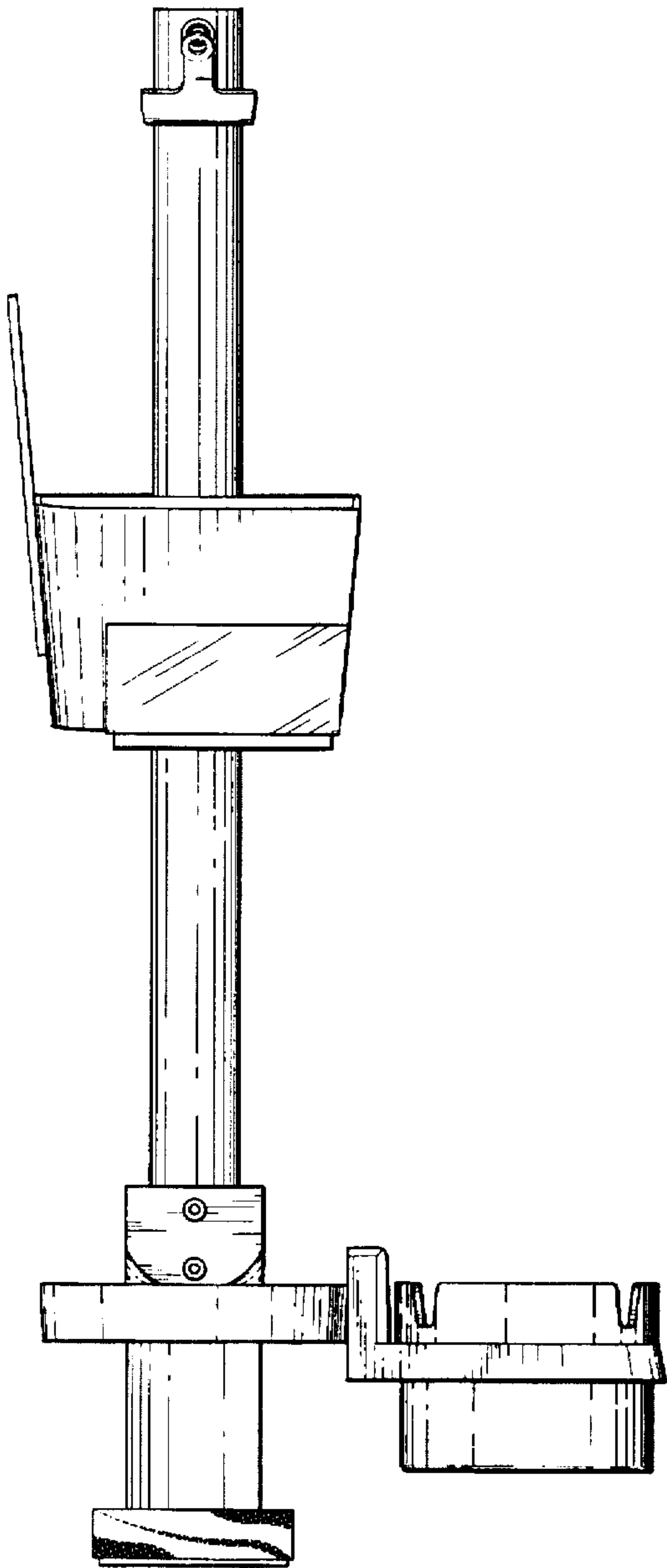


Fig. 1

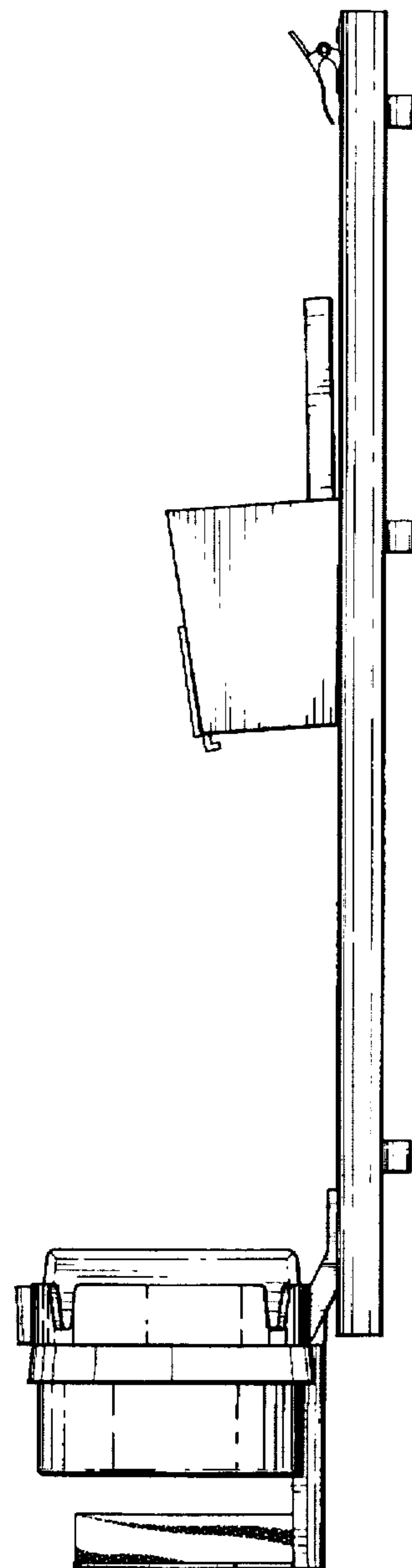


Fig. 2

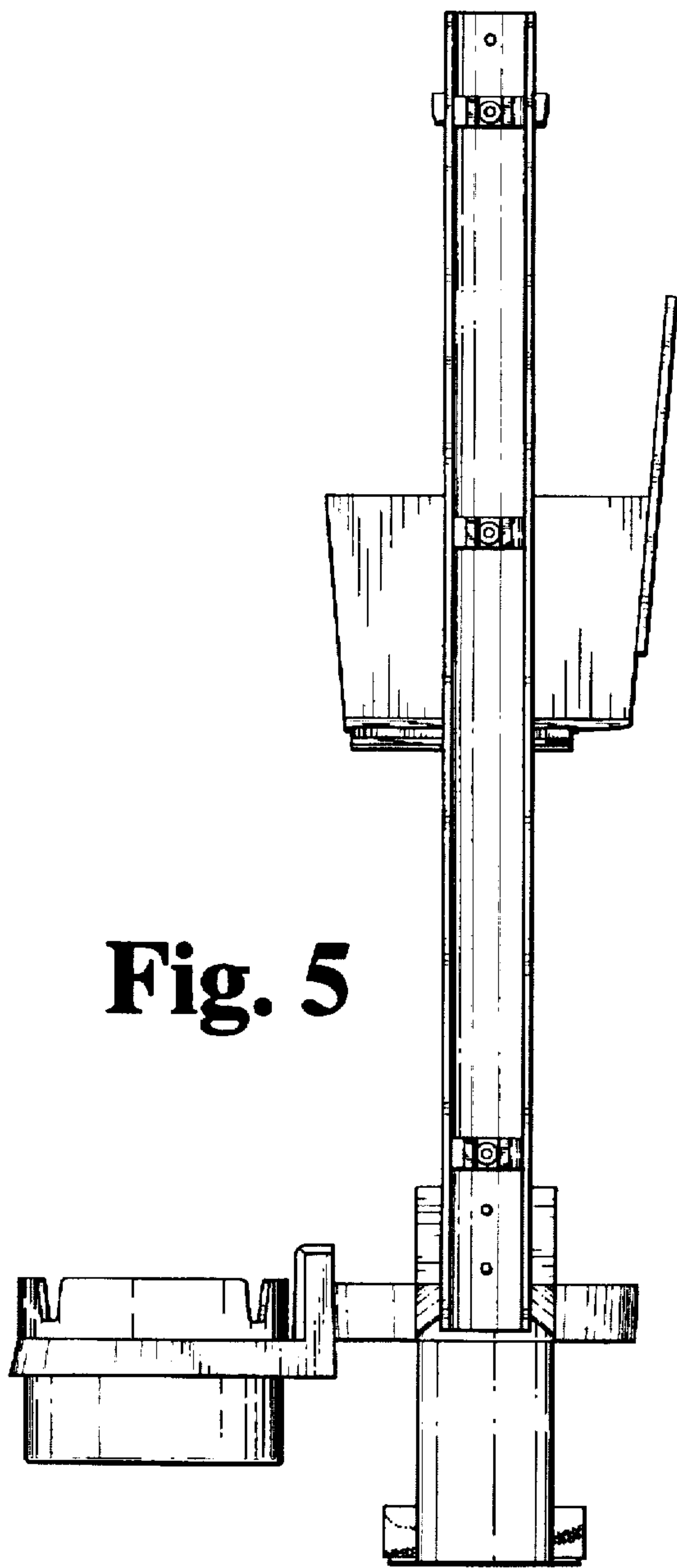


Fig. 5

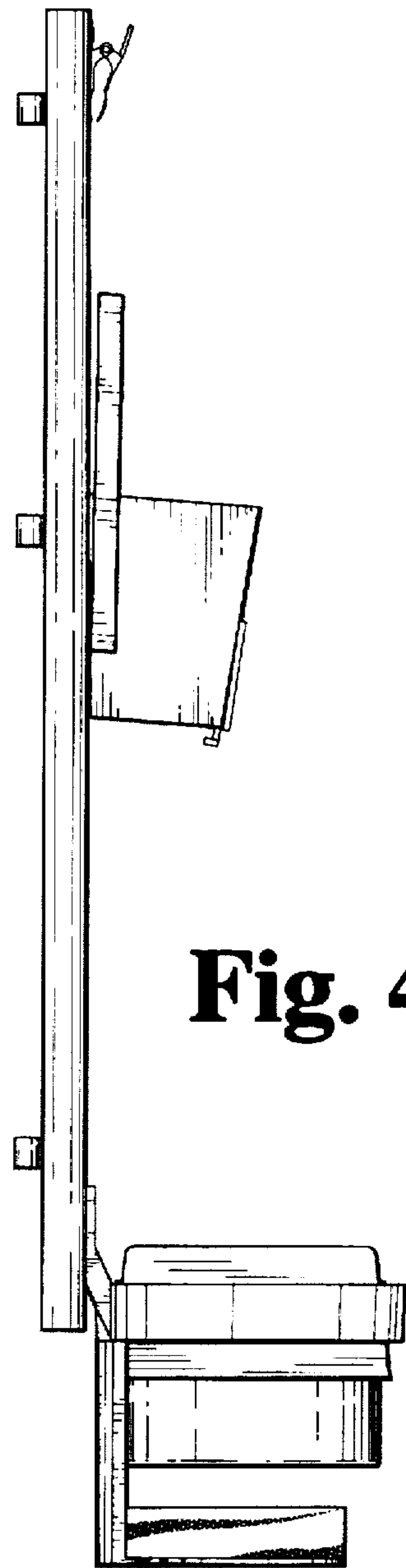


Fig. 4

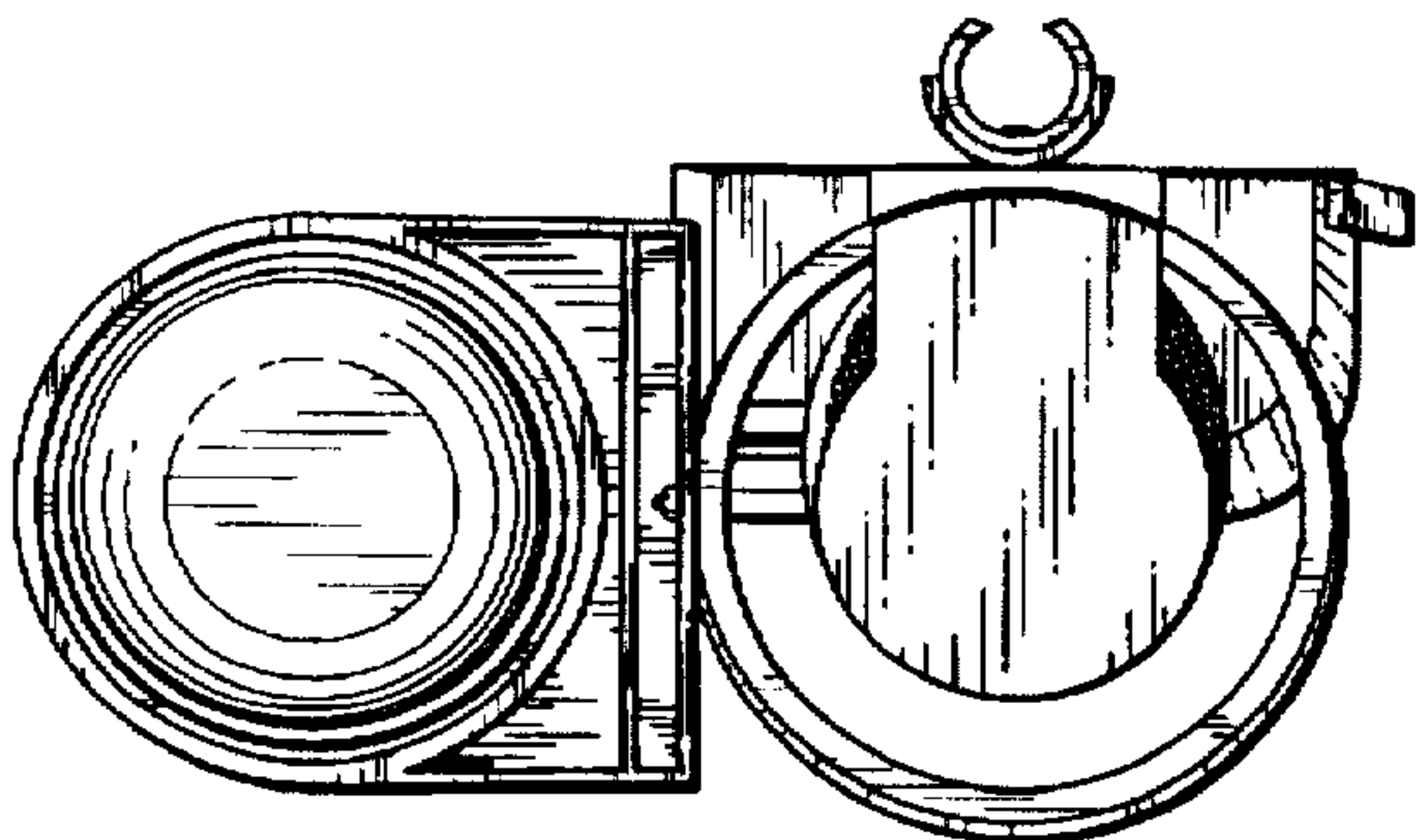


Fig. 6

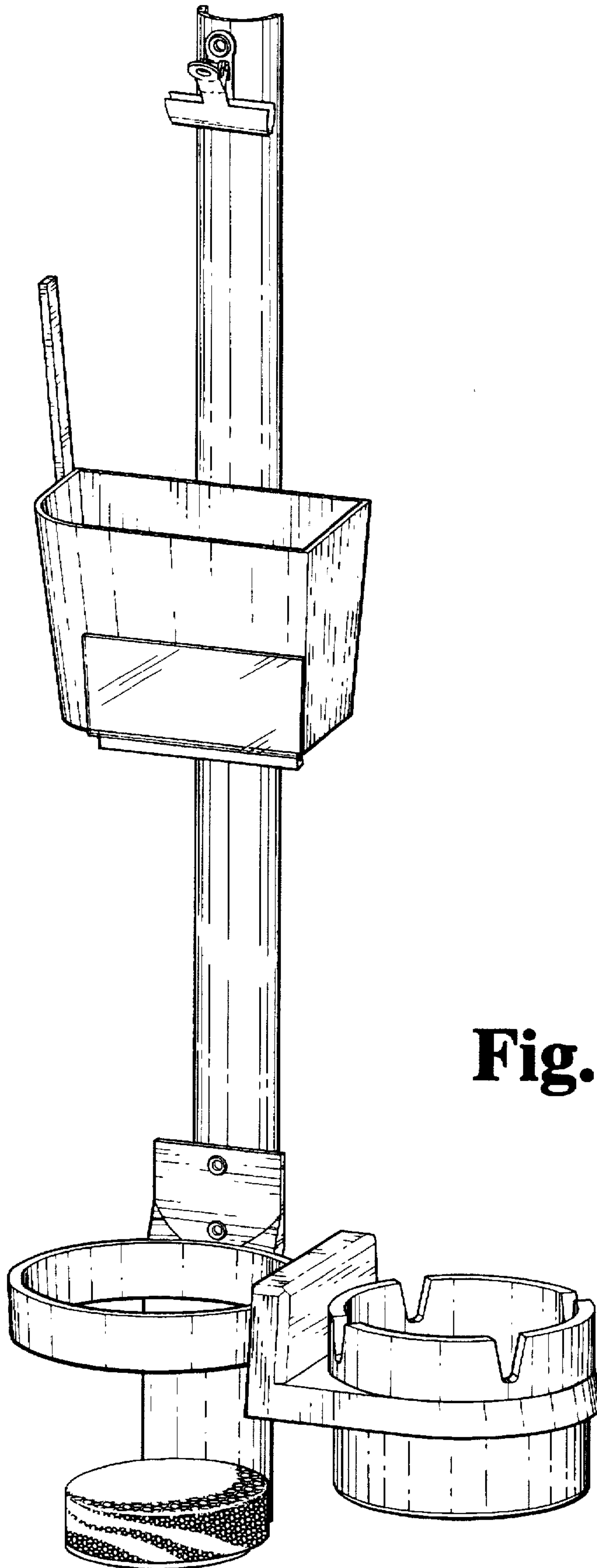


Fig. 7