



US00D395892S

# United States Patent [19]

Solomon

[11] Patent Number: Des. 395,892

[45] Date of Patent: \*\*Jul. 7, 1998

## [54] UNIVERSAL SPEAKER MOUNTING DEVICE

[76] Inventor: Allen Solomon, 2029 E. 17th St., Brooklyn, N.Y. 11229

[\*\*] Term: 14 Years

[21] Appl. No.: 70,177

[22] Filed: May 1, 1997

[51] LOC (6) Cl. .... 14-01

[52] U.S. Cl. .... D14/224

[58] Field of Search ..... D8/349, 373, 380; D14/224, 229; 248/183.2, 278.1, 425, 454, 458

### [56] References Cited

#### U.S. PATENT DOCUMENTS

D. 182,530	4/1958	McCarty	.....	D8/380
D. 318,672	7/1991	Derain	.....	D14/224
4,732,357	3/1988	Lindsay	.....	248/183.2
4,765,580	8/1988	Wright	.....	248/176.1 X
5,169,104	12/1992	Kwoh	.....	D14/244 X
5,201,896	4/1993	Kruszewski	.....	248/278.1
5,209,446	5/1993	Kawai	.....	248/183.2

## FOREIGN PATENT DOCUMENTS

960380 4/1950 France ..... 248/183.2

Primary Examiner—Sandra L. Morris

Assistant Examiner—Nanda Bondade

Attorney, Agent, or Firm—Goodman & Teitelbaum, Esqs.

## [57] CLAIM

The ornamental design for a universal speaker mounting device, as shown and described.

## DESCRIPTION

FIG. 1 is a left side perspective view of a universal speaker mounting device, showing my new design;  
 FIG. 2 is a top plan view thereof;  
 FIG. 3 is a left side elevational view thereof;  
 FIG. 4 is a front elevational view thereof;  
 FIG. 5 is a bottom plan view thereof;  
 FIG. 6 is a right side elevational view thereof;  
 FIG. 7 is a rear elevational view thereof;  
 FIG. 8 is a left side perspective view thereof, having its rotatable mounting platform in a horizontal position; and,  
 FIG. 9 is a left side perspective view thereof, having its rotatable mounting platform in a vertical position.

1 Claim, 5 Drawing Sheets

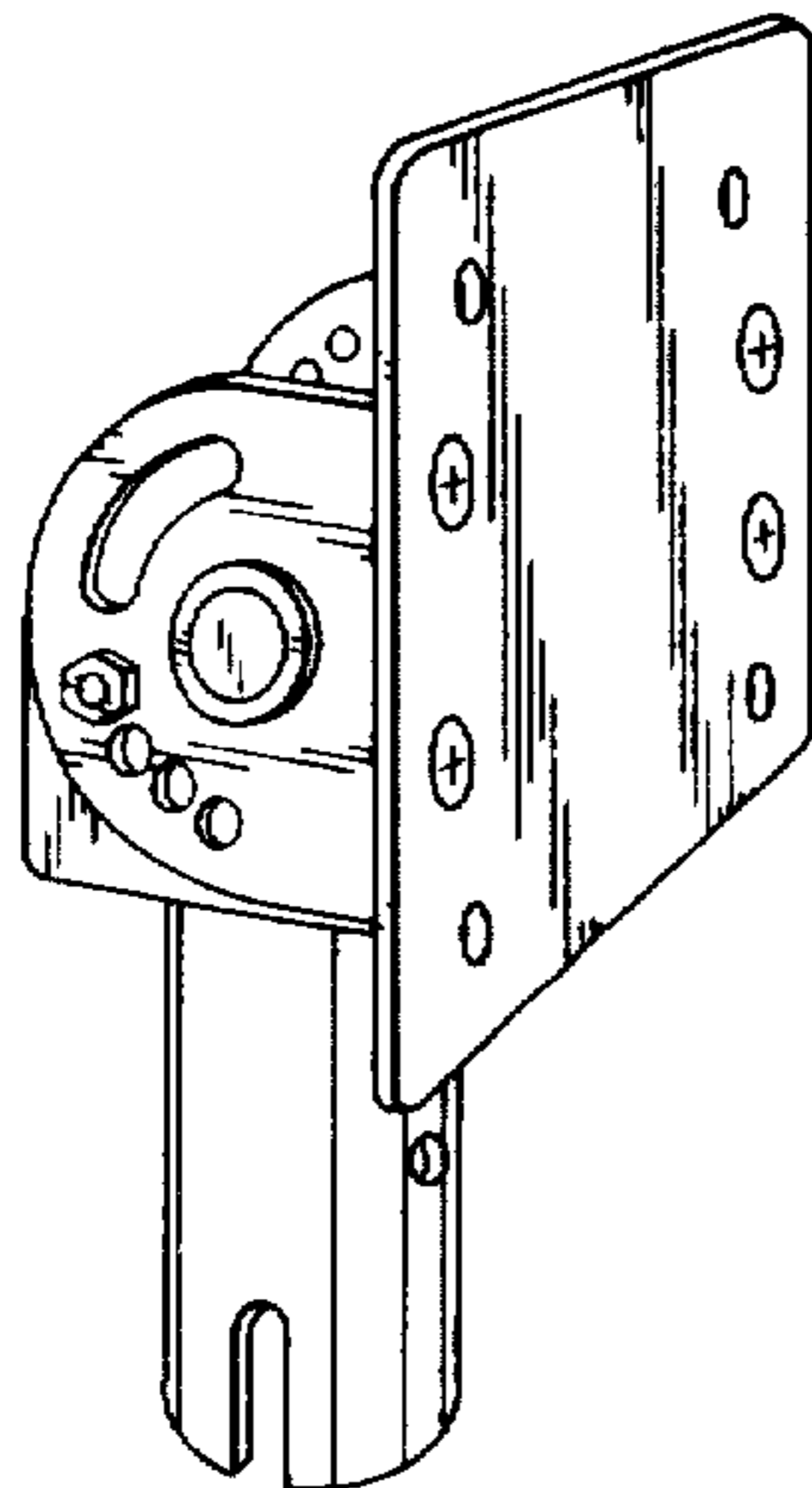
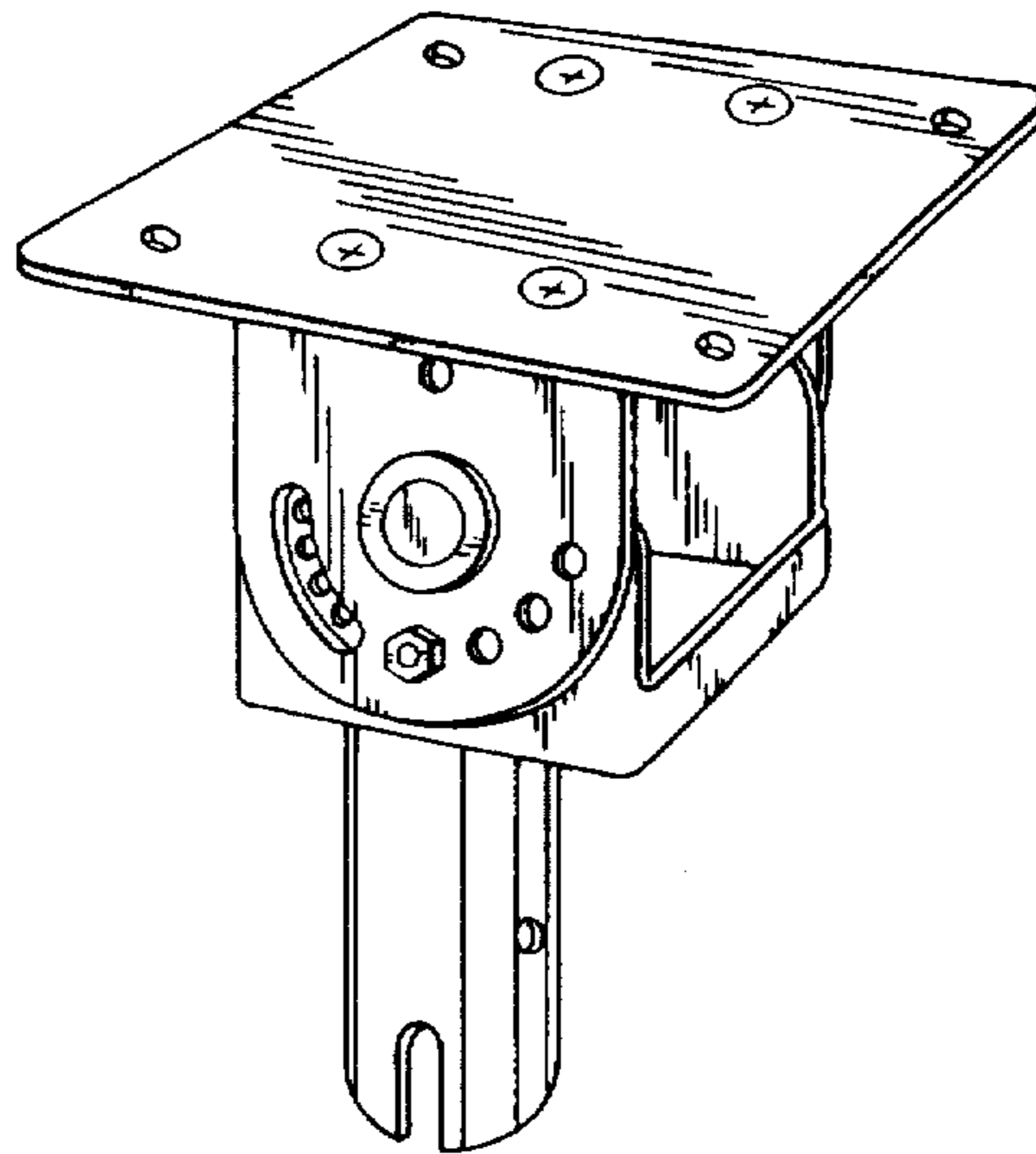
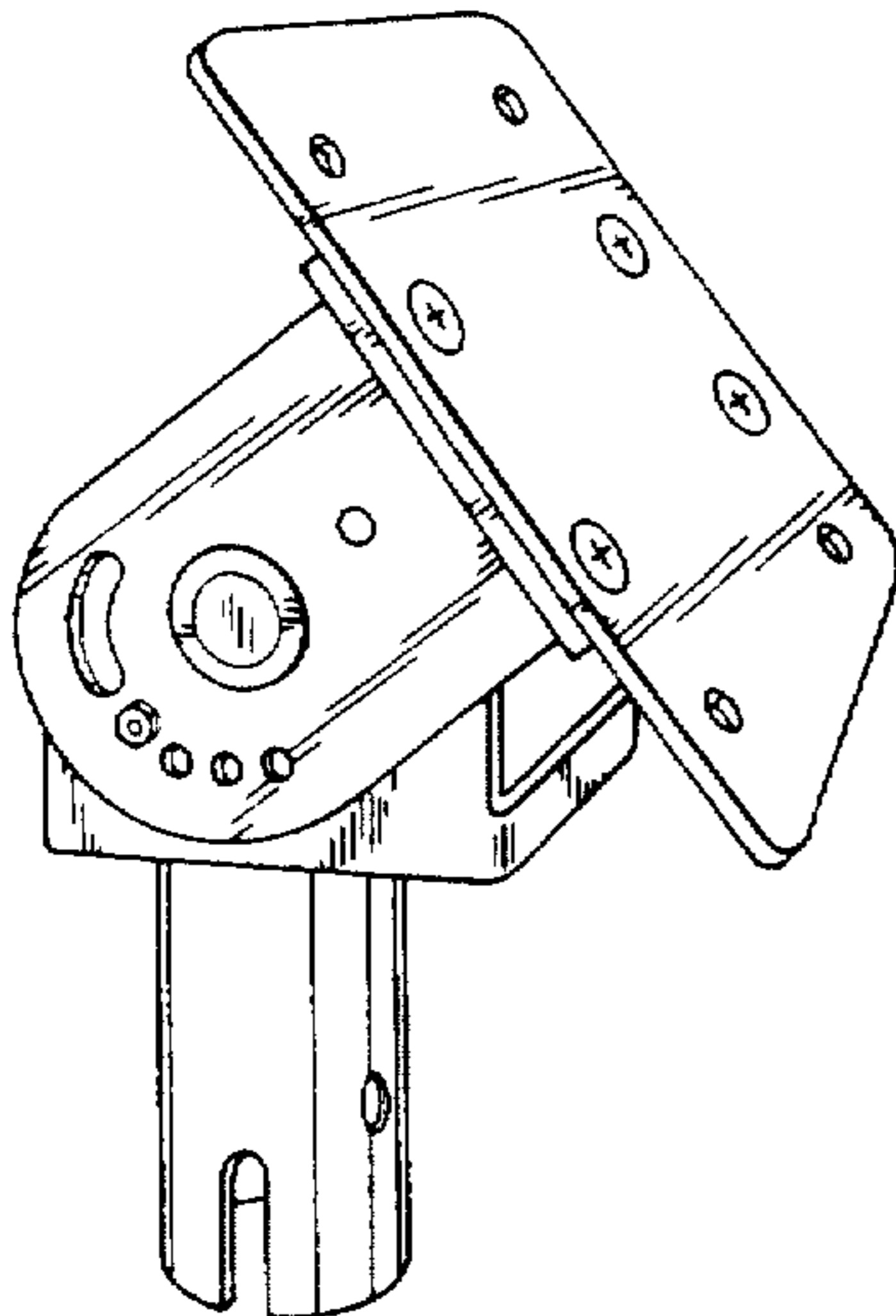


FIG. 2

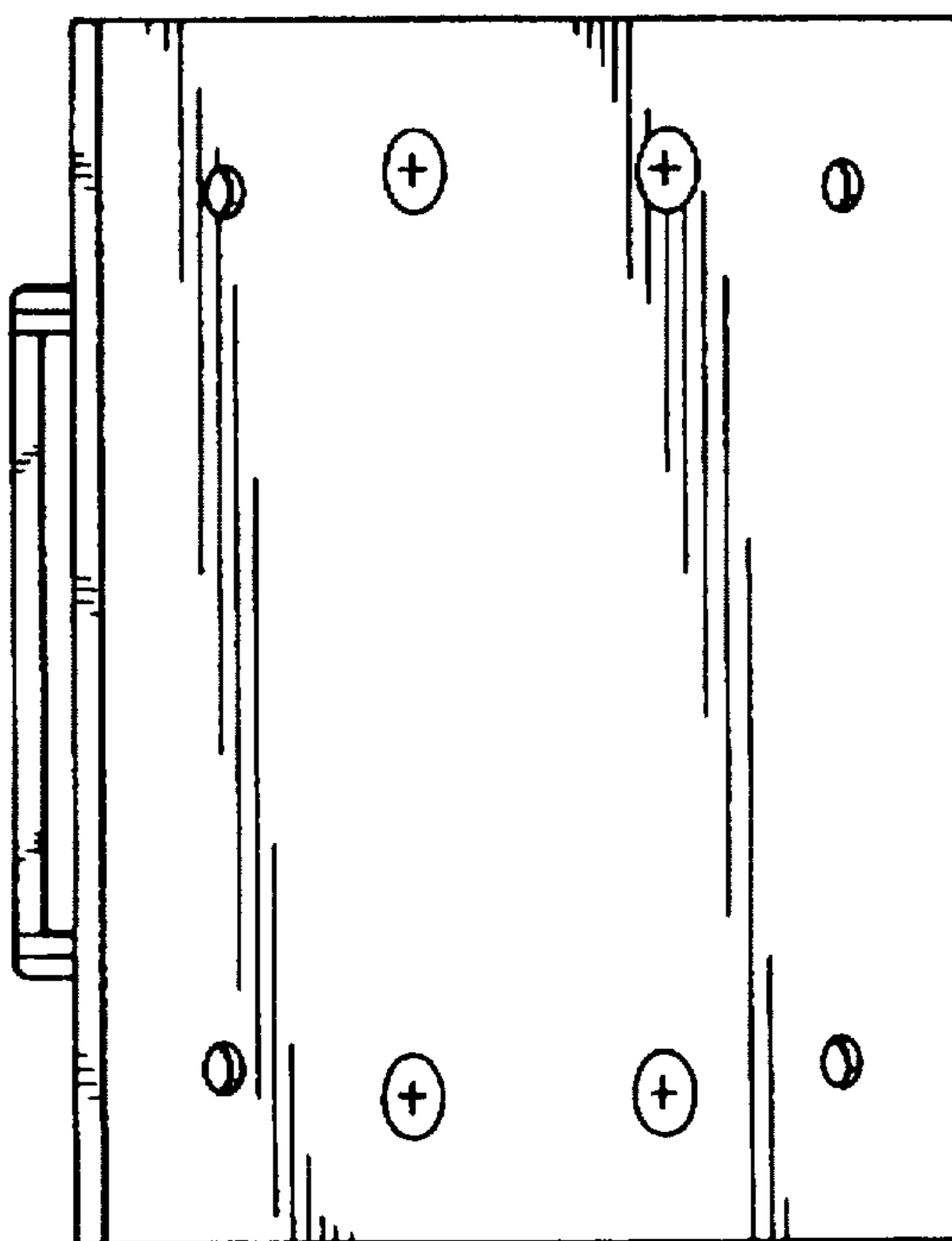


FIG. 1

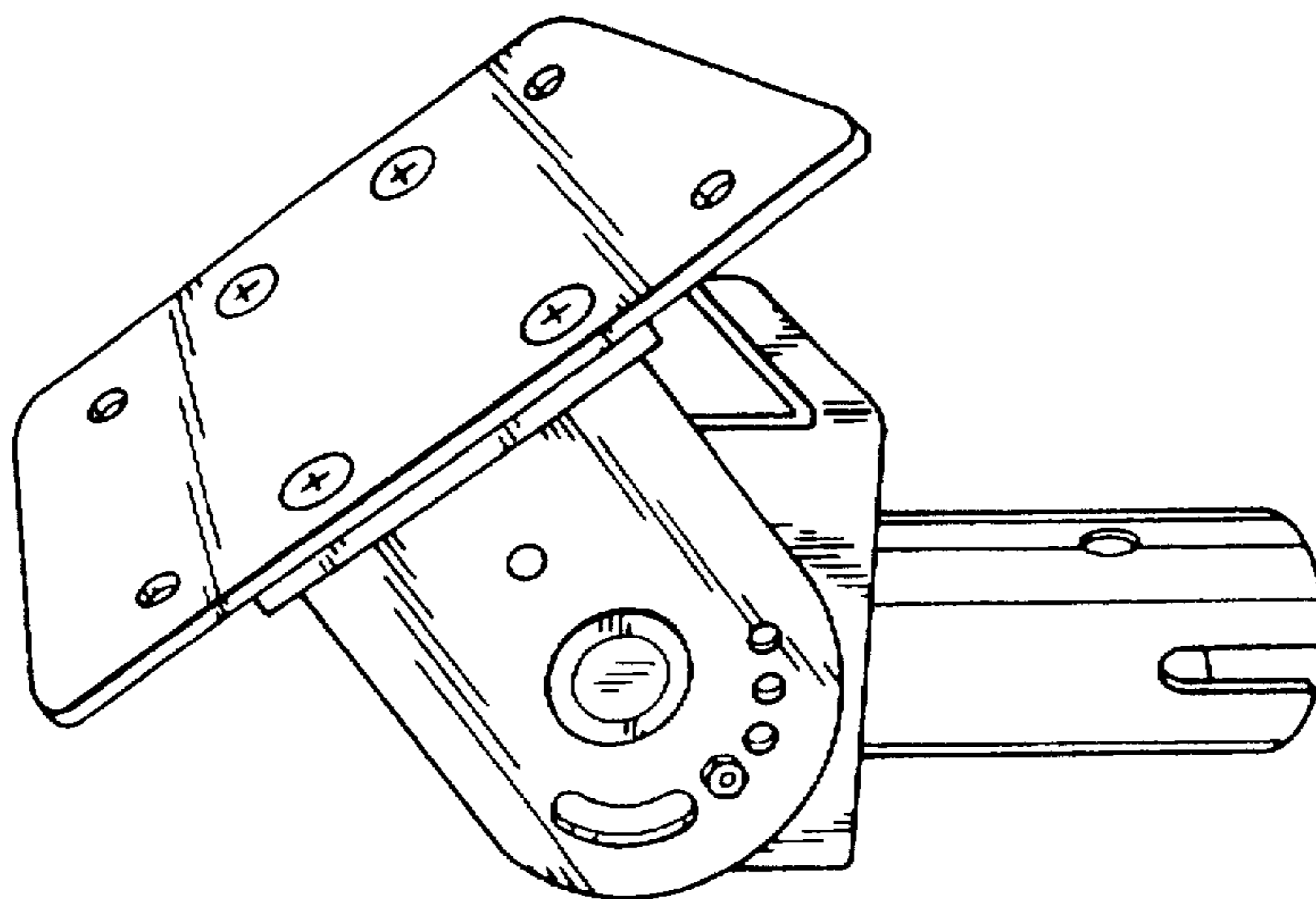


FIG. 4

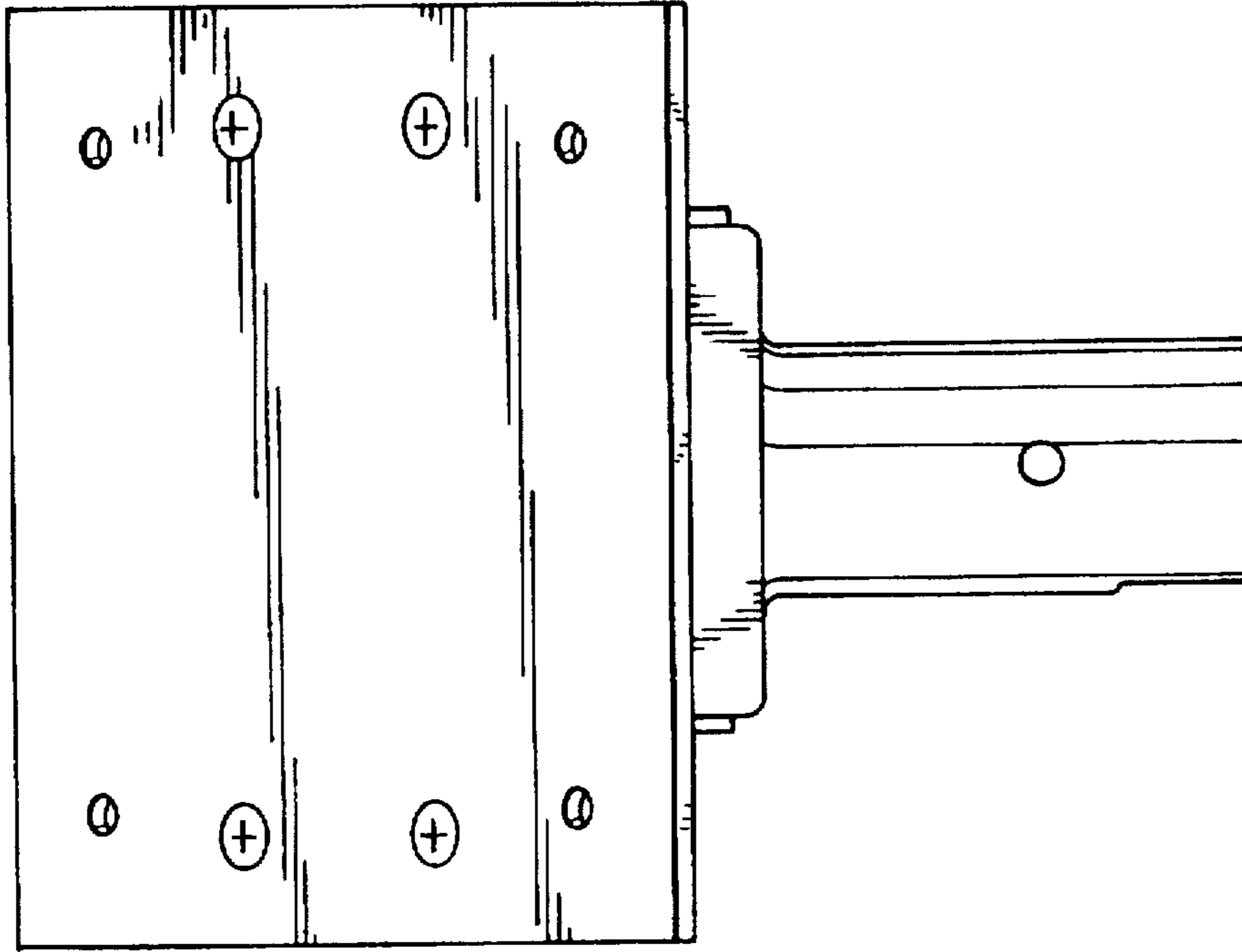


FIG. 3

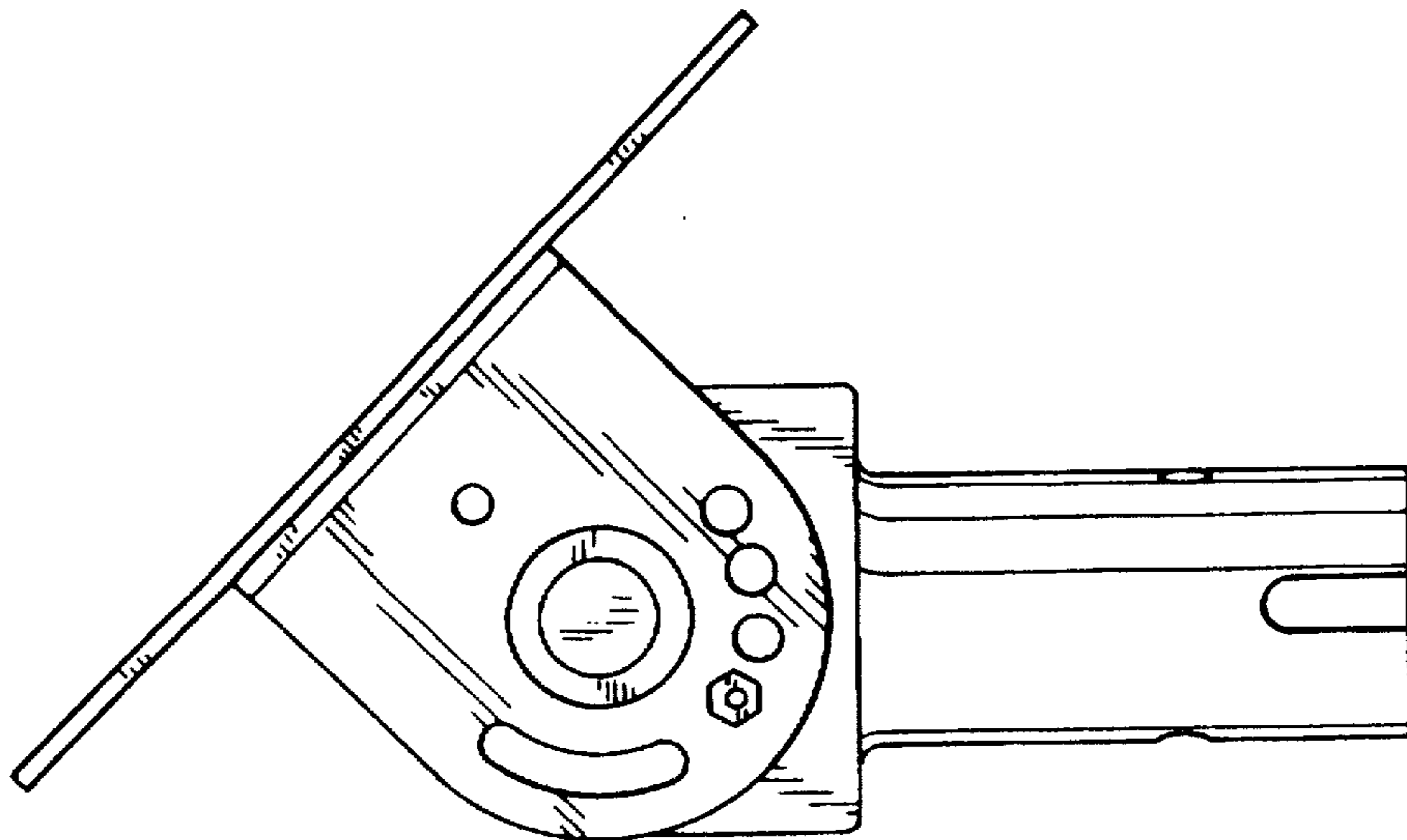


FIG. 5

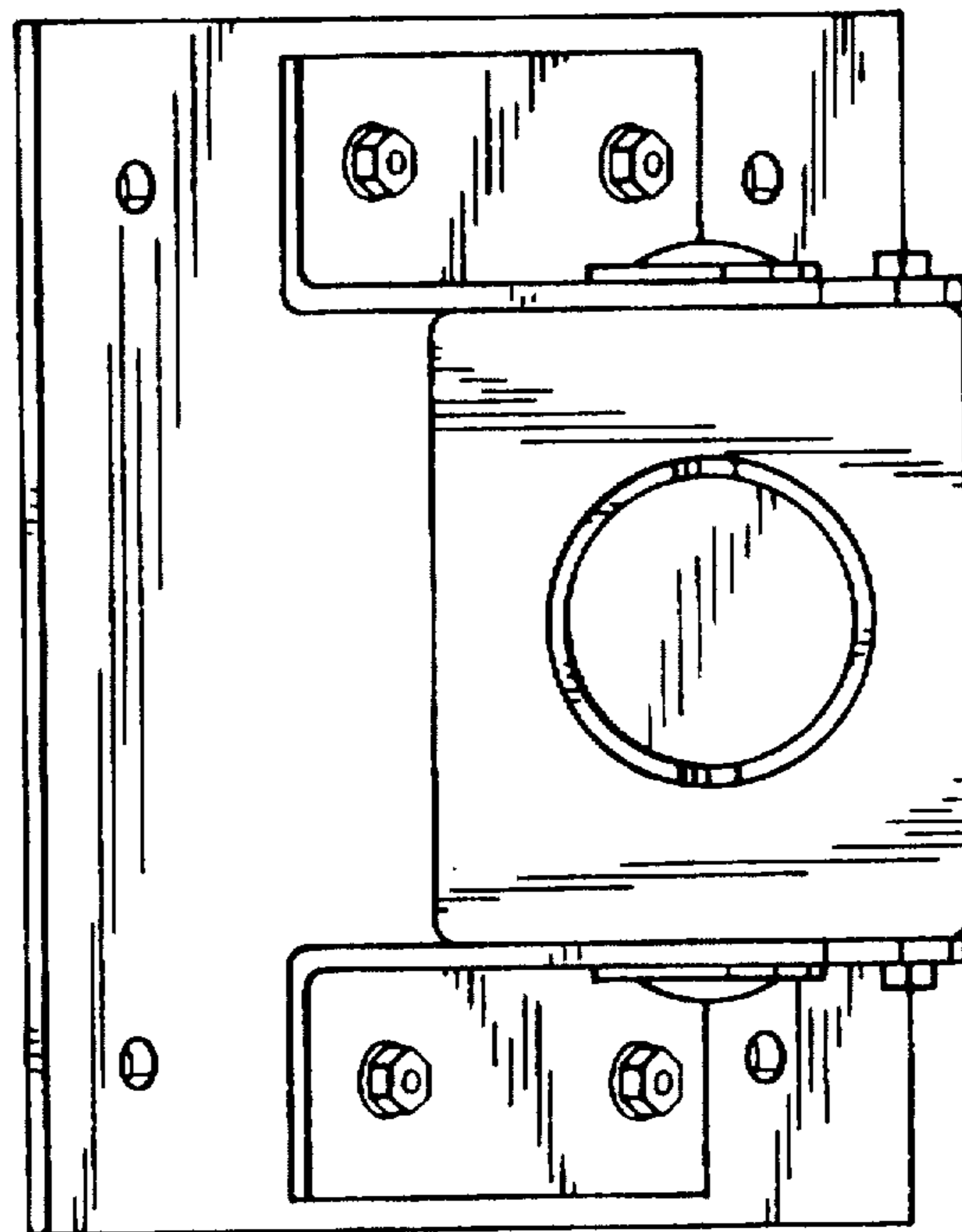


FIG. 7

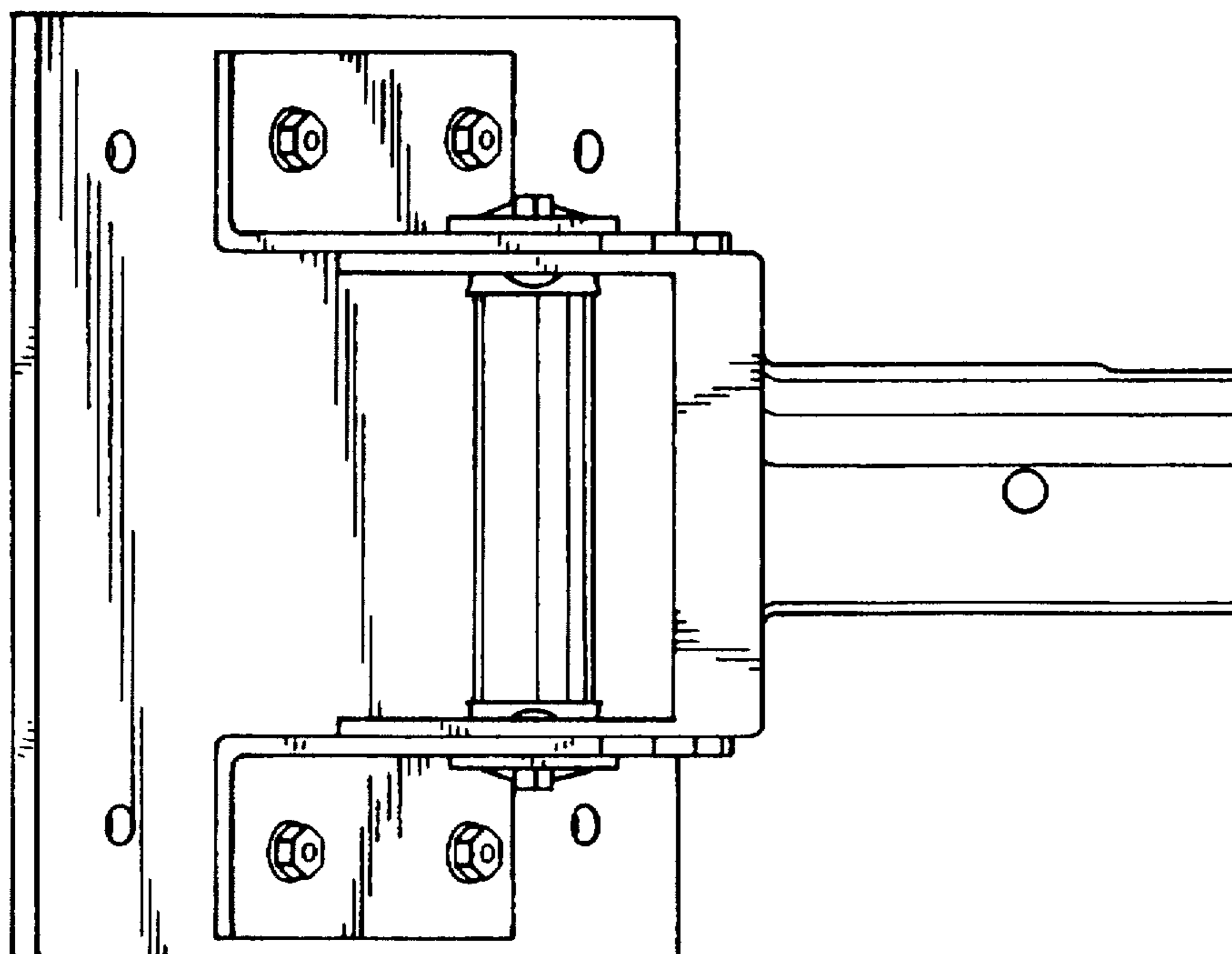


FIG. 6

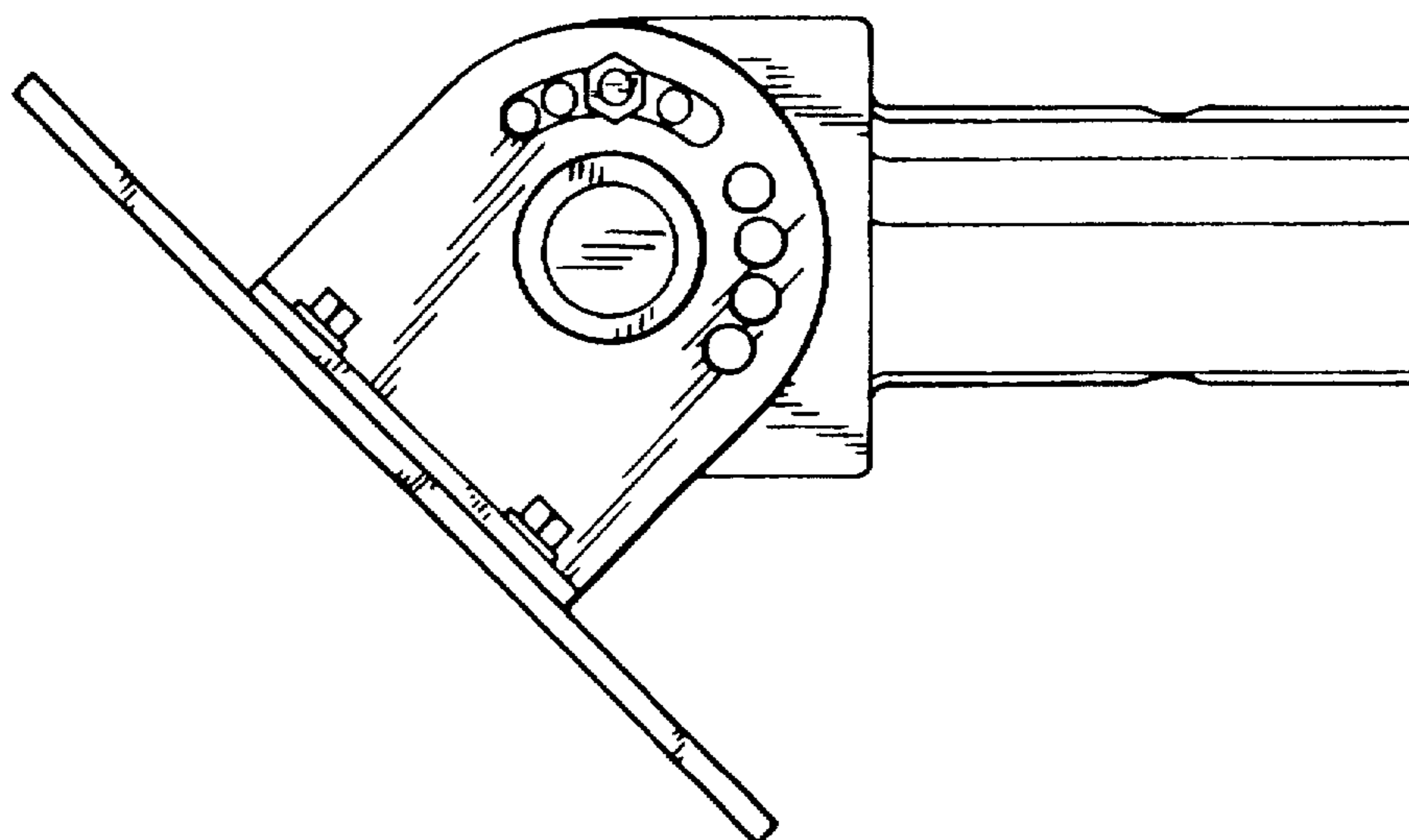


FIG. 8

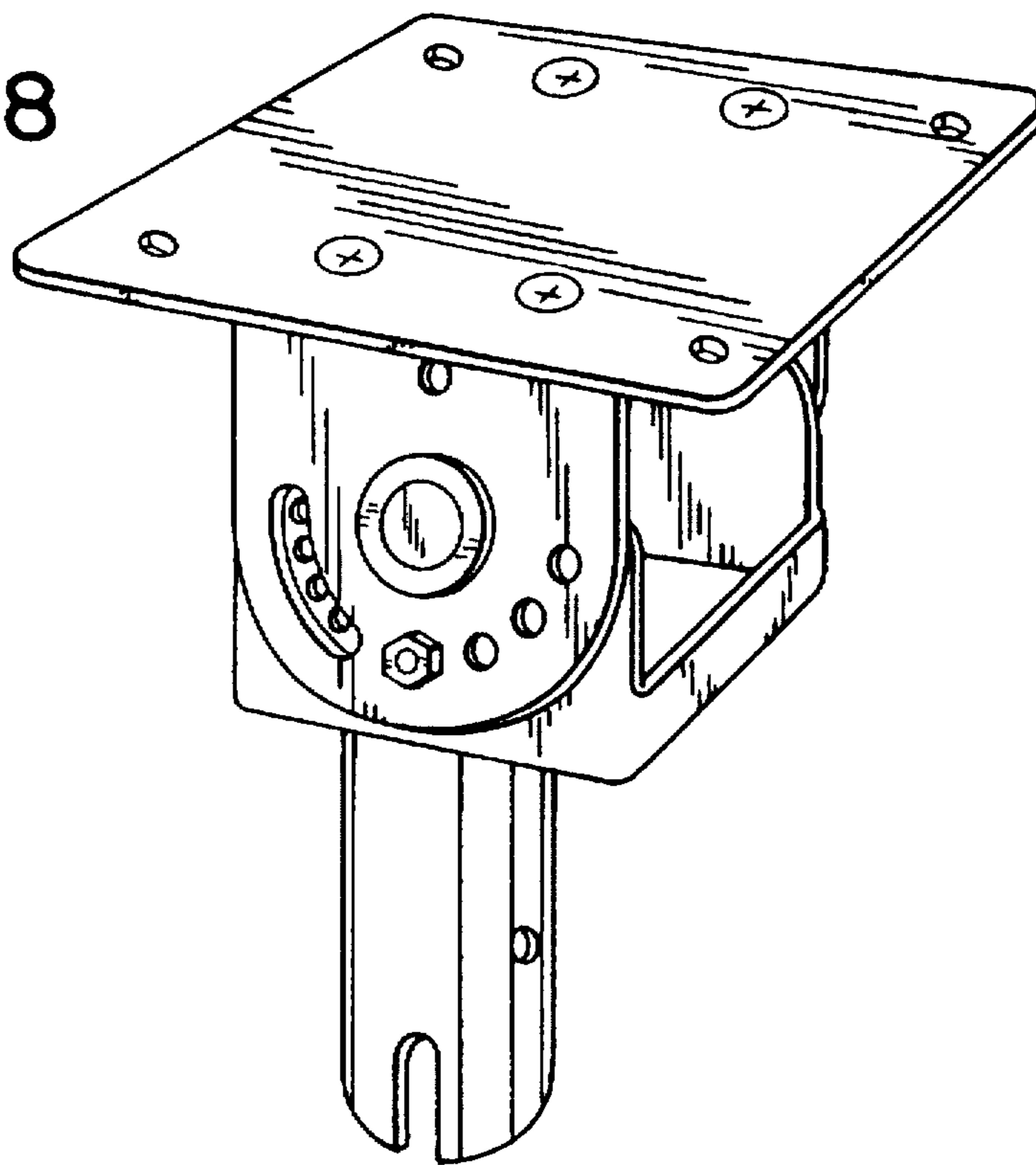


FIG. 9

