

US00D395879S

United States Patent [19]

[11] Patent Number: **Des. 395,879**

Drechsler et al.

[45] Date of Patent: ****Jul. 7, 1998**

[54] **TAPE DRIVE BEZEL**

Primary Examiner—Freda Nunn

[75] Inventors: **Thomas R. Drechsler**, Hopkinton, Mass.; **Kuni Masuda**, Portland, Oreg.

Attorney, Agent, or Firm—David B. Harrison; John C. Chen

[73] Assignee: **Quantum Corporation**, Milpitas, Calif.

[57] **CLAIM**

[**] Term: **14 Years**

The ornamental design for a tape drive bezel, as shown and described.

[21] Appl. No.: **48,679**

DESCRIPTION

[22] Filed: **Jan. 11, 1996**

FIG. 1 is an isometric view of the top front and right side view of a tape drive bezel showing our new design;

[51] LOC (6) Cl. **14-02**

[52] U.S. Cl. **D14/115**

[58] Field of Search D14/100, 102, D14/107-109, 115, 137, 258, 156, 217; D13/164, 177; D10/103; 312/208.1, 223.2; 361/600, 622, 724-728

FIG. 2 is a front elevation view showing a column of indicator lights and push buttons on each end of the front side of the tape drive bezel of FIG. 1;

FIG. 3 is a rear elevation view of the tape drive bezel of FIG. 1;

[56] **References Cited**

U.S. PATENT DOCUMENTS

D. 360,411 7/1995 Sharp et al. D14/115

FIG. 4 is a right-side elevation view of the tape drive bezel of FIG. 1;

FIG. 5 is a left-side elevation view of the tape drive bezel of FIG. 1;

OTHER PUBLICATIONS

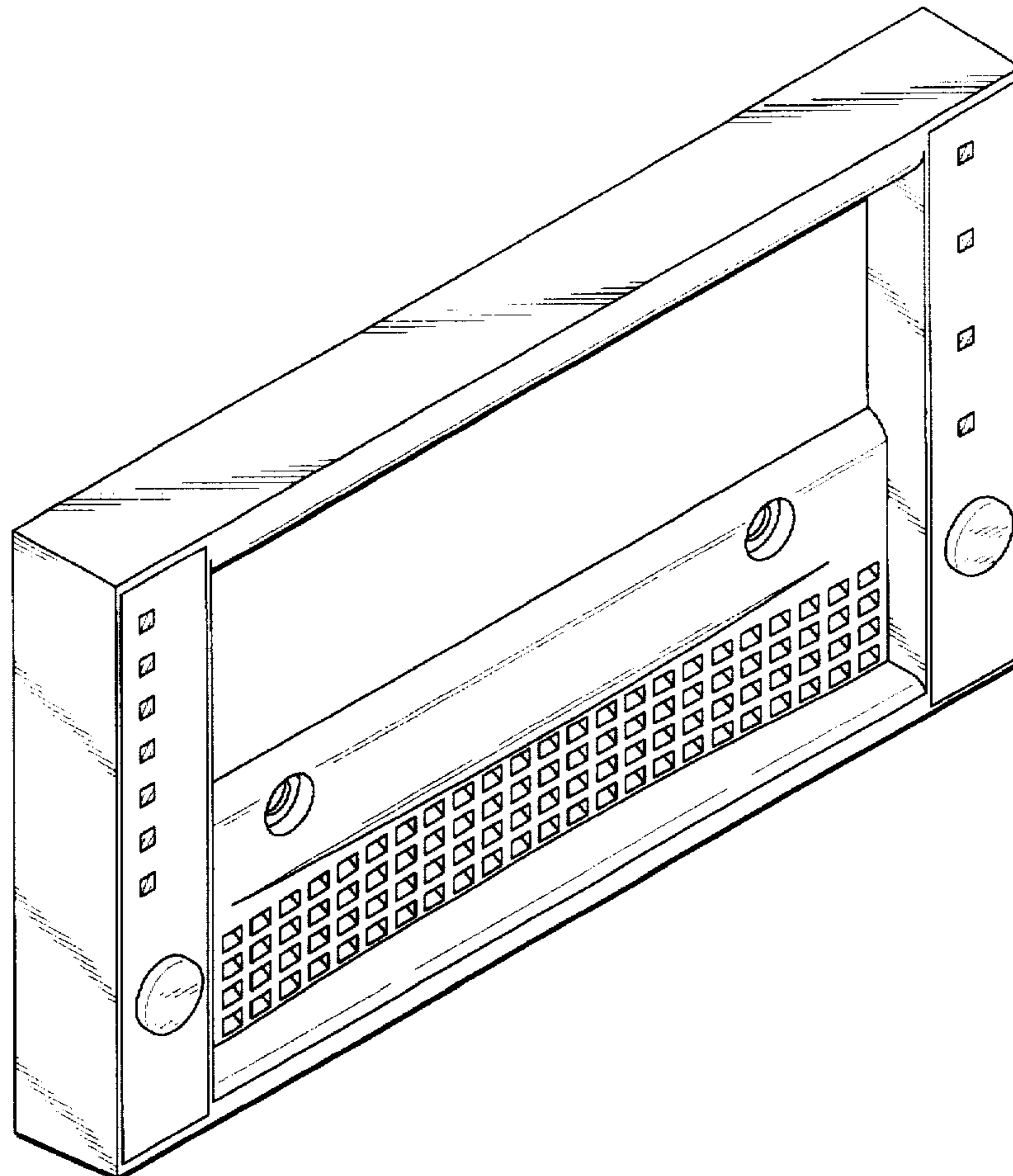
"DLT2000 DLT4000 Cartridge Tape Drives". Quantum Corporation, 1994.

"Quantum DLT2000XT/DLT2500XT/DLT2700XT Cartridge Tape Subsystem" Quantum Corporation, 1995.

FIG. 6 is a top view of the tape drive bezel of FIG. 1; and

FIG. 7 is a bottom view of the tape drive bezel of FIG. 1.

1 Claim, 3 Drawing Sheets



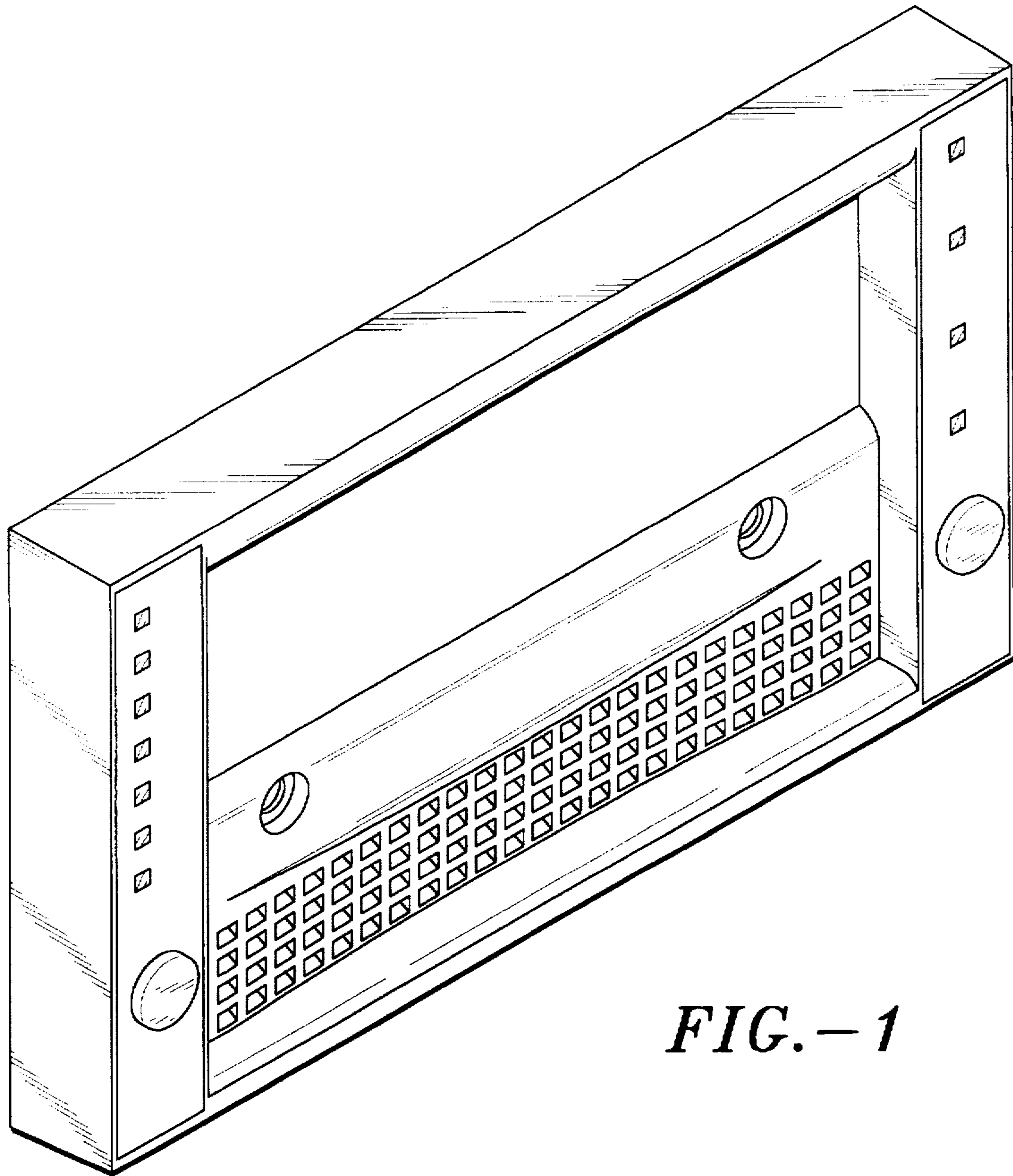


FIG. - 1

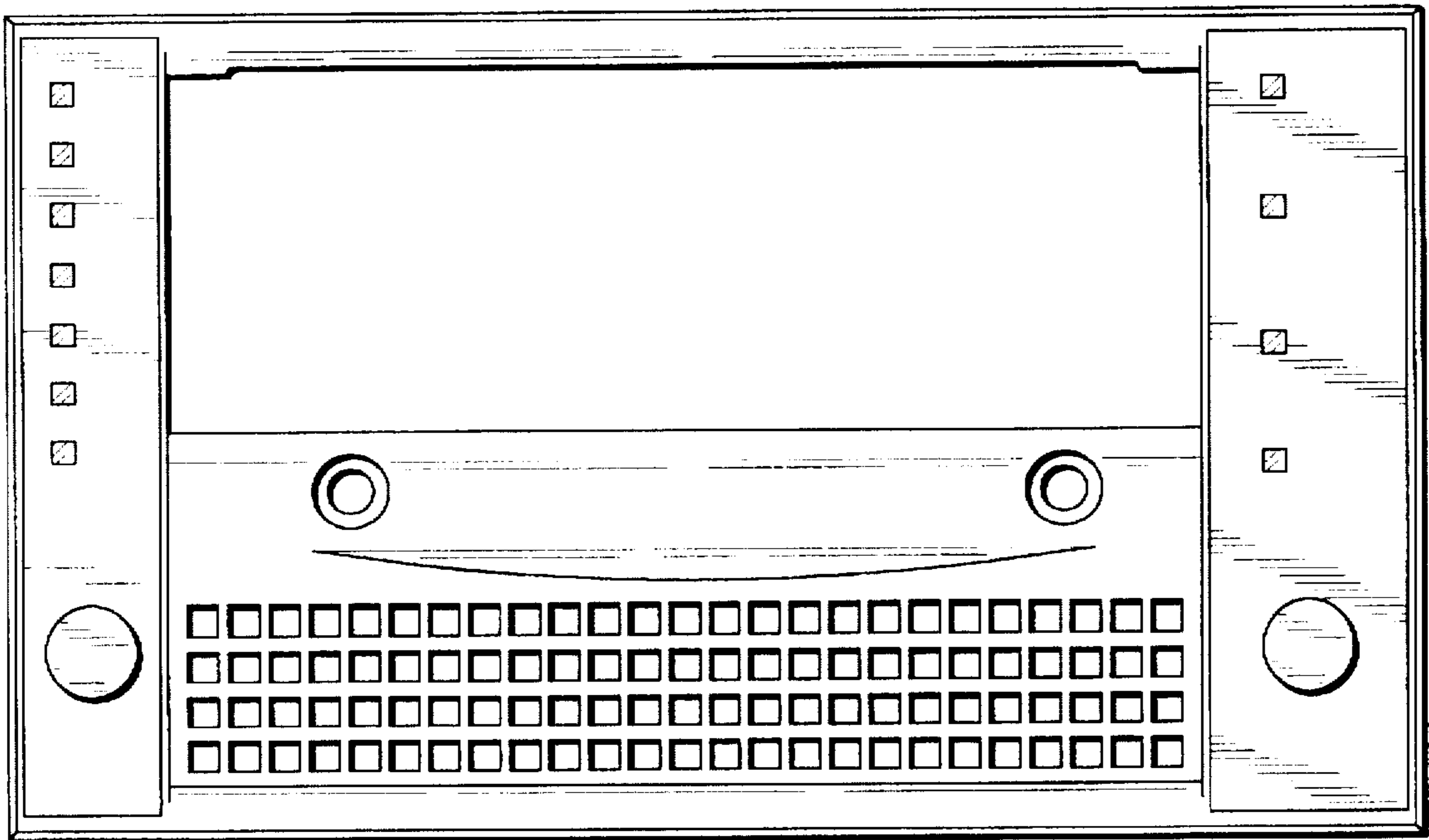


FIG.-2

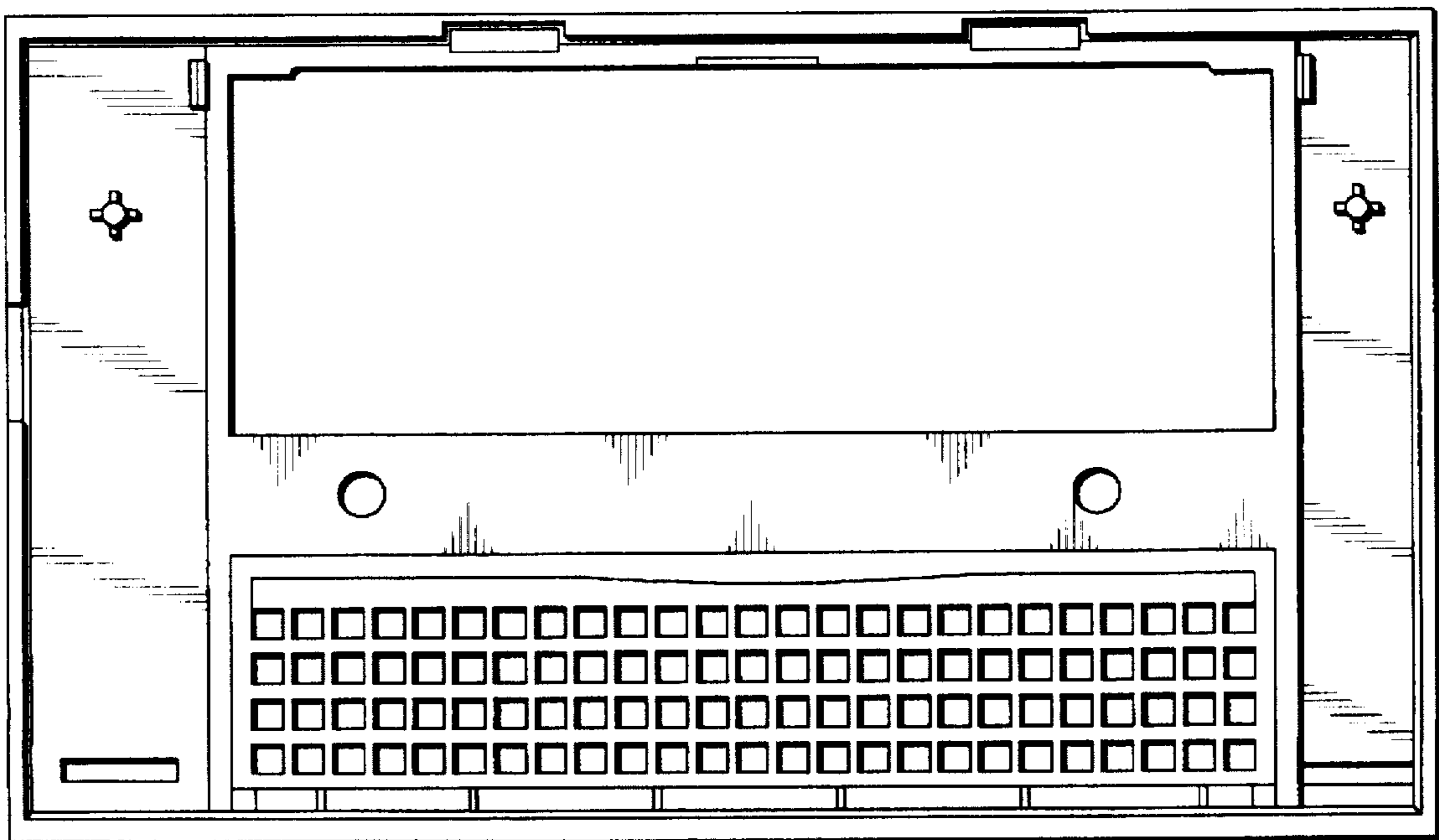


FIG.-3

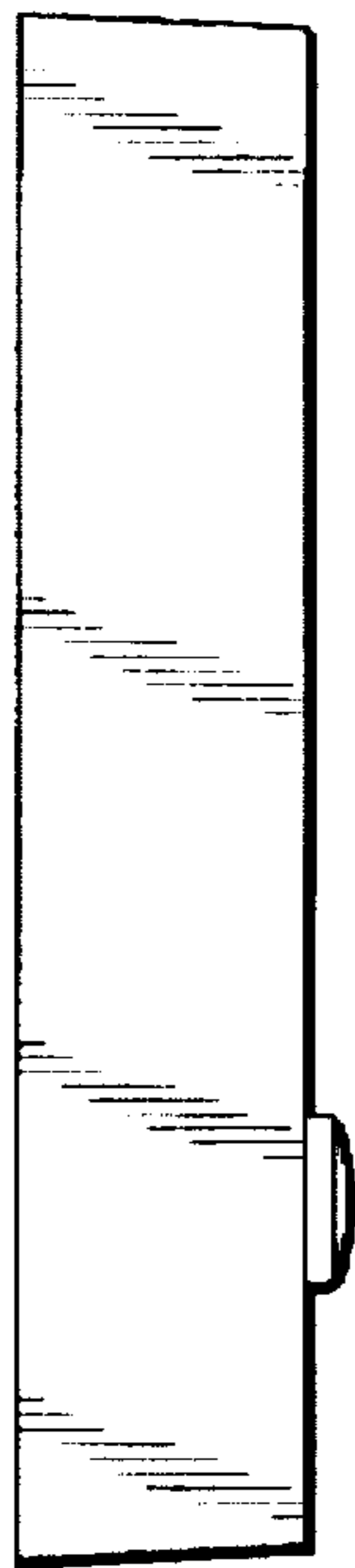


FIG. -4



FIG. -5



FIG. -6

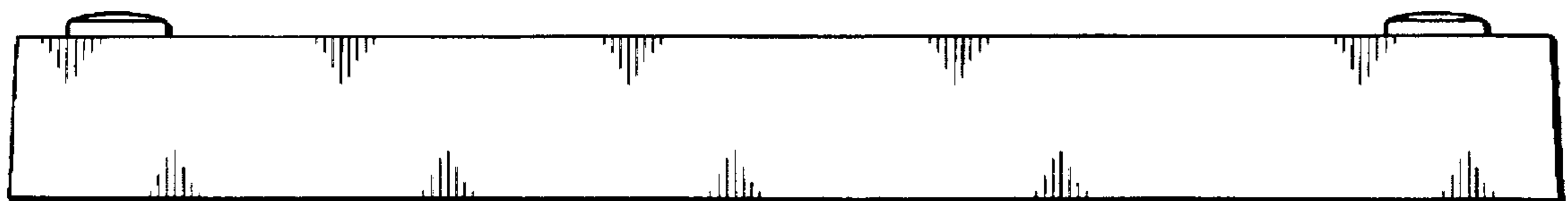


FIG. -7