



US00D395874S

United States Patent [19]
Rosen

[11] **Patent Number:** **Des. 395,874**
[45] **Date of Patent:** ****Jul. 7, 1998**

[54] **GRIPPABLE MONITOR SUPPORT**
[75] **Inventor:** **John B. Rosen, Eugene, Oreg.**
[73] **Assignee:** **Advanced Multimedia Products Corporation, Eugene, Oreg.**
[**] **Term:** **14 Years**

5,311,302 5/1994 Berry et al. .
5,547,248 8/1996 Marechal .

Primary Examiner—Holly Baynham
Attorney, Agent, or Firm—Kolisch, Hartwell, Dickinson, McCormack & Heuser

[21] **Appl. No.:** **67,809**
[22] **Filed:** **Mar. 14, 1997**

[57] **CLAIM**
The ornamental design for a grippable monitor support, as shown and described.

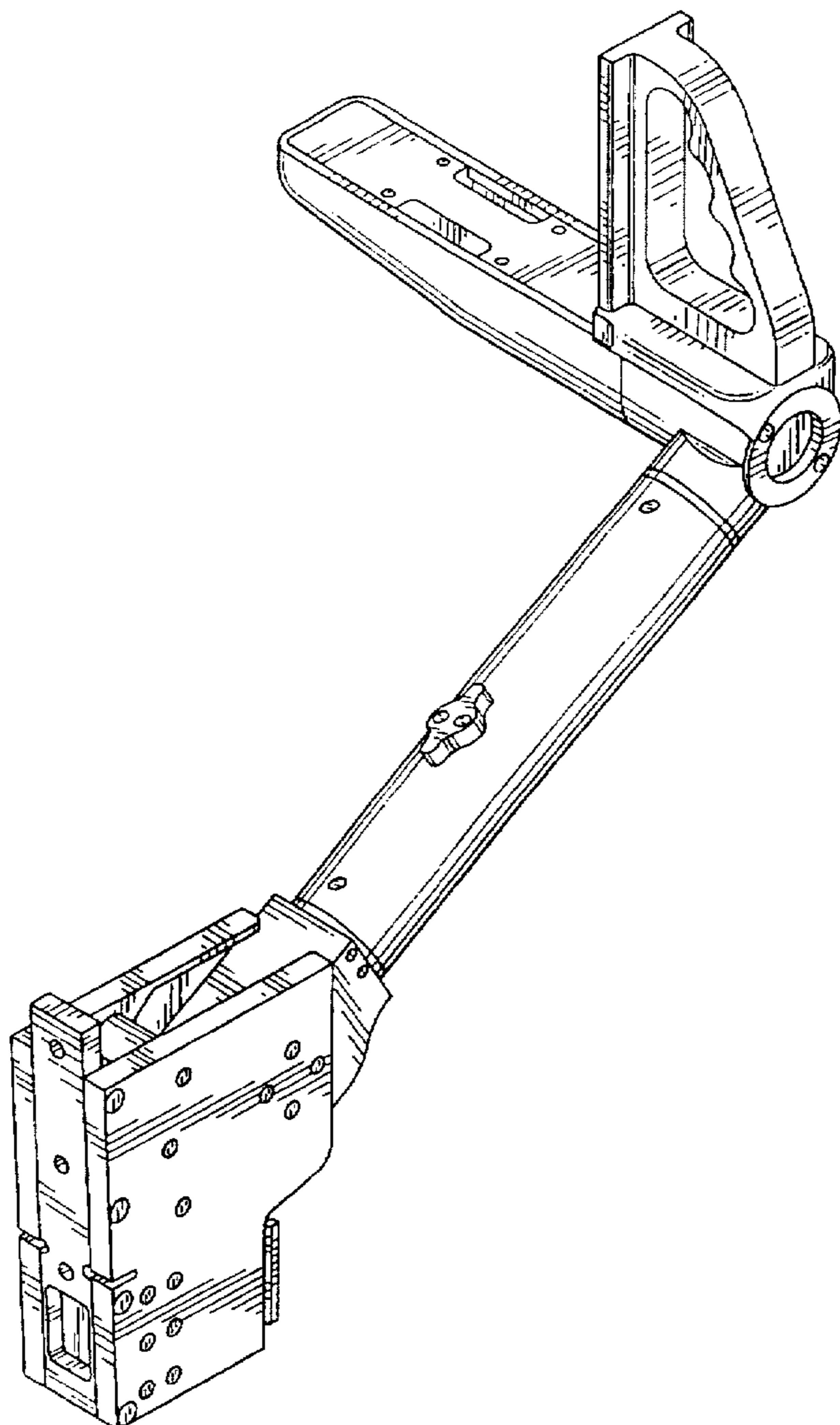
[51] **LOC (6) Cl.** **14-02**
[52] **U.S. Cl.** **D14/114**
[58] **Field of Search** **D8/363; D14/114;**
248/919, 921, 923, 917-918, 278

DESCRIPTION

FIG. 1 is a front view of a grippable monitor support constructed in accordance with a preferred embodiment of the invention, the monitor support being shown in a stowed orientation with a monitor indicated by dashed lines; FIG. 2 is a left side view of the grippable monitor support shown in FIG. 1; FIG. 3 is a right side view thereof; FIG. 4 is a top view thereof; FIG. 5 is a bottom view thereof; and FIG. 6 is an environmental, perspective view thereof with the broken line showing of a monitor being for illustrative purposes only and forming no part of the claimed design.

[56] **References Cited**
U.S. PATENT DOCUMENTS
D. 363,065 10/1995 Karten et al. D14/114
D. 376,590 12/1996 Kao et al. D14/114
4,620,808 11/1986 Kurtin et al. .
4,836,486 6/1989 Vossoughi et al. .
5,177,616 1/1993 Riday .
5,179,447 1/1993 Lain .

1 Claim, 2 Drawing Sheets



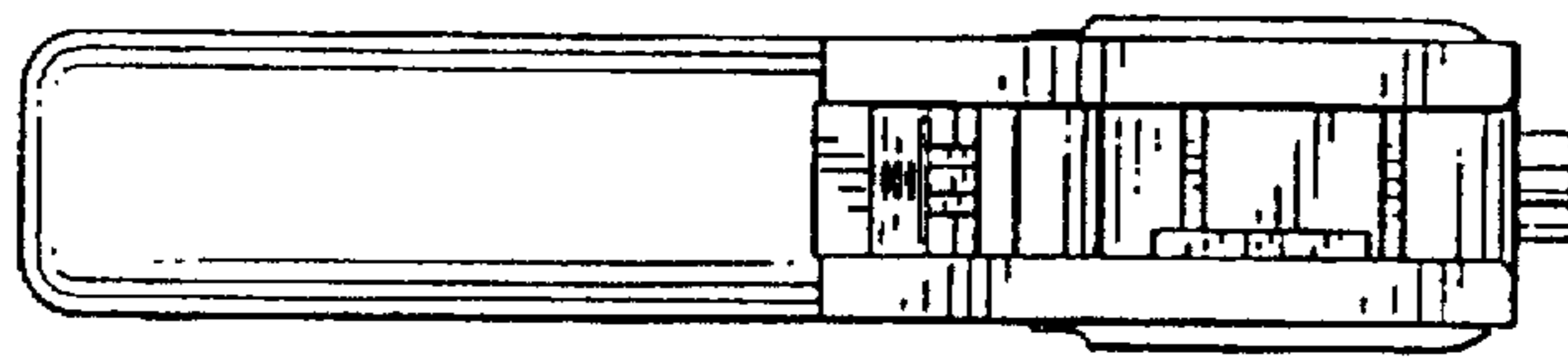


FIG. 4

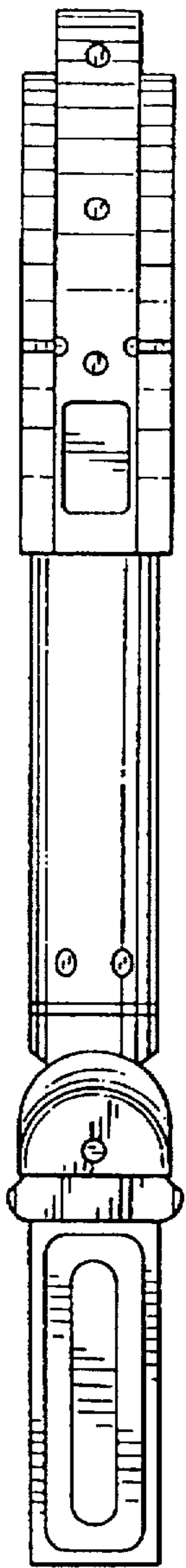


FIG. 2

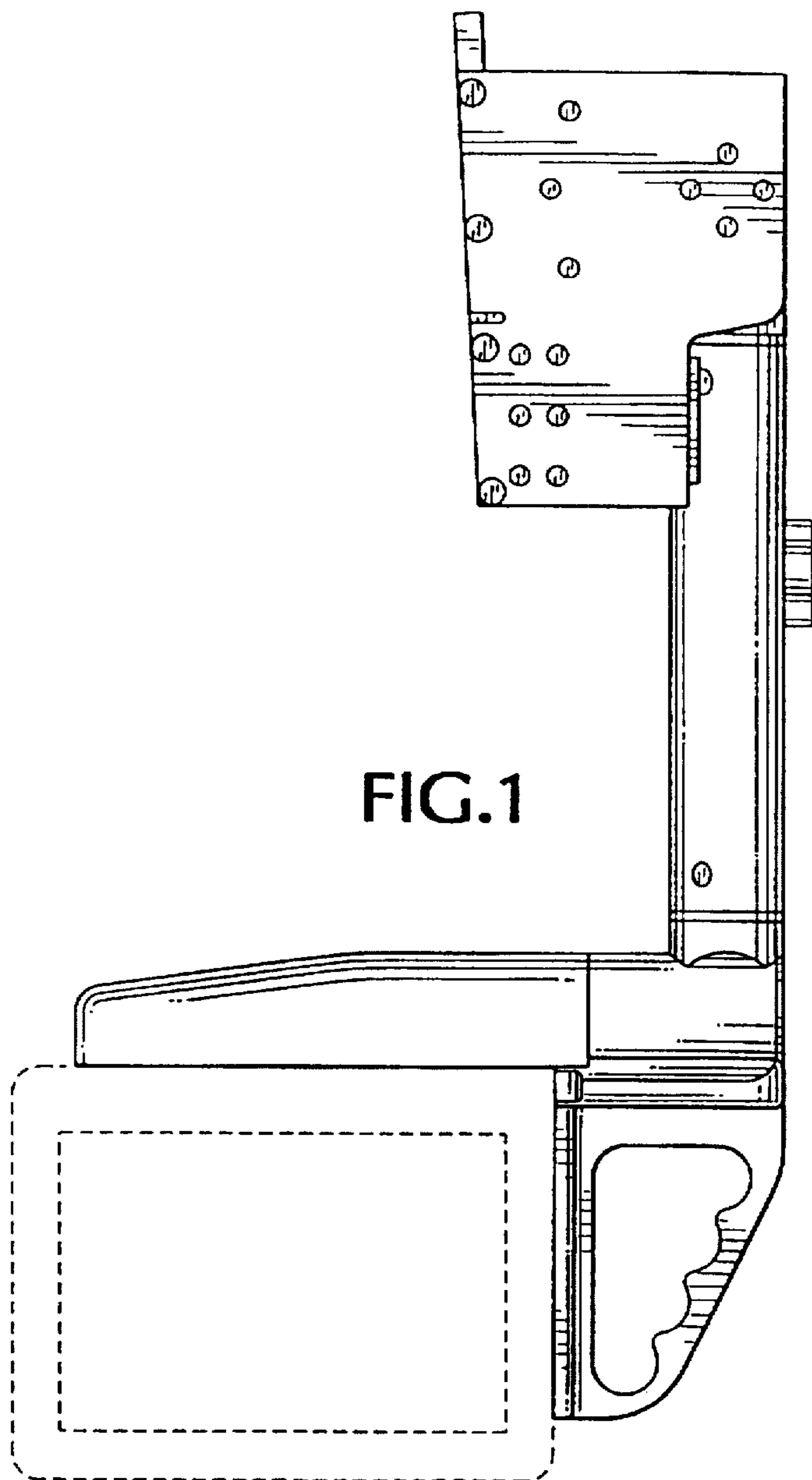


FIG. 1

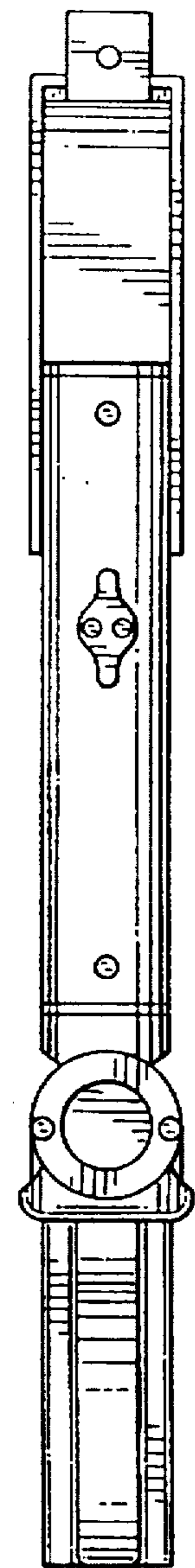


FIG. 3

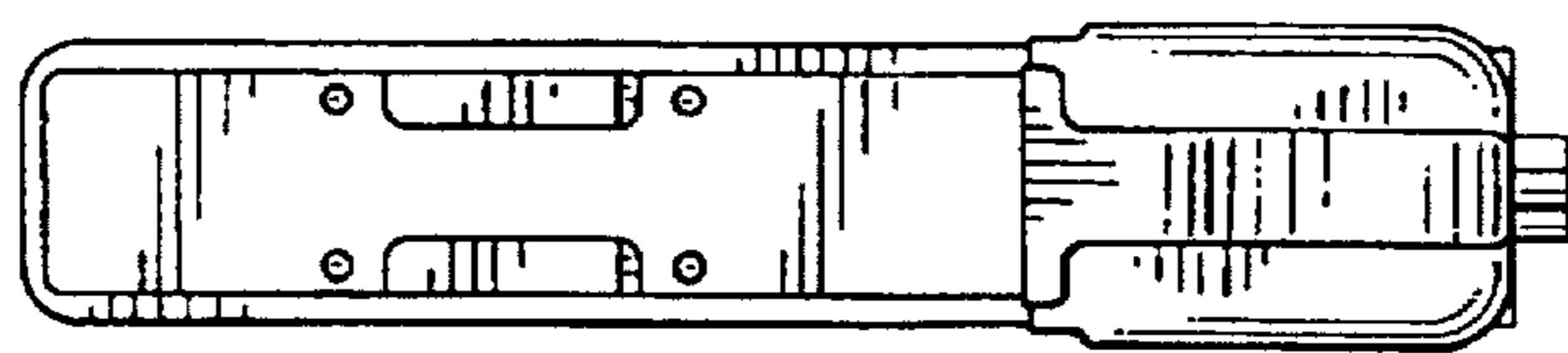


FIG. 5

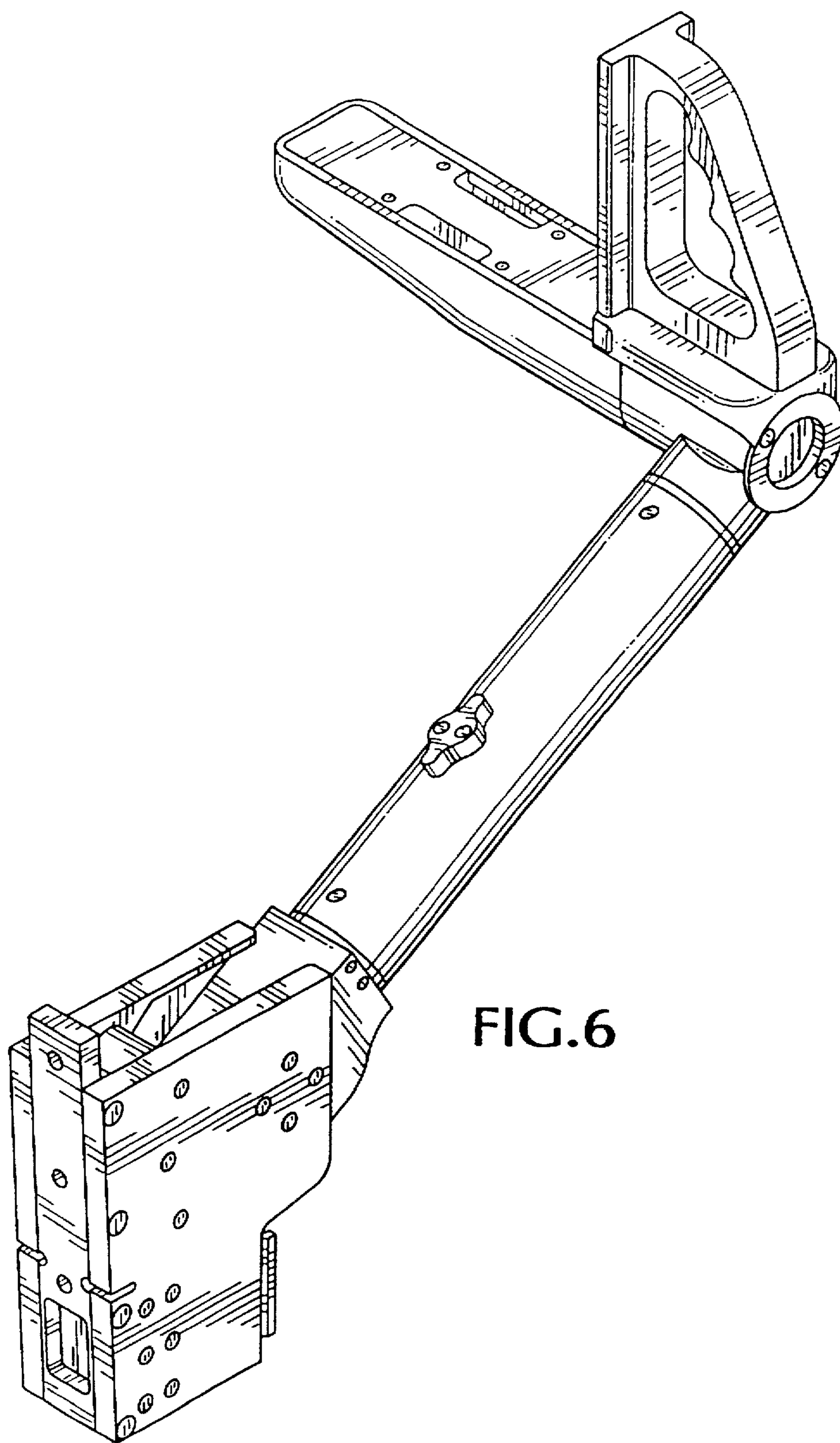


FIG. 6