



US00D395871S

United States Patent [19] Iino

[11] Patent Number: **Des. 395,871**
[45] Date of Patent: ****Jul. 7, 1998**

[54] **UNIT FOR THE EXTENSION OF THE
FUNCTIONS OF ELECTRONIC
COMPUTERS**

[75] Inventor: **Masaaki Iino**, Saitama-ken, Japan

[73] Assignee: **Kabushiki Kaisha Toshiba**, Kawasaki,
Japan

[**] Term: **14 Years**

[21] Appl. No.: **72,269**

[22] Filed: **Jun. 13, 1997**

[30] **Foreign Application Priority Data**

Jan. 24, 1997 [JP] Japan 9-1400

[51] LOC (6) Cl. **14-02**

[52] U.S. Cl. **D14/107**

[58] Field of Search D14/107, 114;
D13/184, 199; 361/683-686; 364/708.1;
439/95, 248

[56] **References Cited**

U.S. PATENT DOCUMENTS

D. 292,405	10/1987	Kitani et al.	D14/111
D. 310,998	10/1990	Lee et al.	D14/100
D. 318,466	7/1991	Grundstrom et al.	D14/114
D. 331,920	12/1992	Iino	D14/107
D. 336,287	6/1993	Mizusugi et al.	D14/107
D. 342,487	12/1993	Iino	D14/107
D. 369,789	5/1996	Lucente, II et al.	D14/107
D. 375,486	11/1996	Shinano	D14/107
D. 375,945	11/1996	Shin et al.	D14/107
5,159,533	10/1992	Kuang	361/391

FOREIGN PATENT DOCUMENTS

M94 04 969	12/1994	Germany .
740409	8/1988	Japan .
791802	7/1990	Japan .
791816	7/1990	Japan .

844726	8/1992	Japan .
866233	4/1993	Japan .
866233-1	4/1993	Japan .
901663	6/1994	Japan .
908192	10/1994	Japan .
918461	2/1995	Japan .
949453	3/1996	Japan .
107481	10/1990	Rep. of Korea .
134452	5/1990	Taiwan .

OTHER PUBLICATIONS

MacIntosh PowerBook 165c, publication date unknown.
Nikkan Kogyo Shinbun (News Paper) (ARMADA), Com-
paq Computer Corporation, Jul. 25, 1996.
Fujitsu FMR-CARD Oct. 24, 1991.
SwanNote-Plus P120, Docking Stations May 10, 1996.

Primary Examiner—Freda Nunn
Attorney, Agent, or Firm—Banner & Witcoff, Ltd.

[57] **CLAIM**

The ornamental design for a unit for the extension of the
functions of electronic computers, as shown and described.

DESCRIPTION

FIG. 1 is a top, front and right side perspective view of a unit
for the extension of the functions of electronic computers
showing my new design;
FIG. 2 is a top plan view thereof;
FIG. 3 is a front elevational view thereof;
FIG. 4 is a right side elevational view thereof;
FIG. 5 is a left side elevational view thereof;
FIG. 6 is a rear elevational view thereof;
FIG. 7 is a bottom plan view thereof;
FIG. 8 is a top, front and right side perspective view thereof
with the disk tray being pulled out; and,
FIG. 9 is a reference view thereof showing the article in use
with a computer being shown in broken lines for illustrative
purposes only and forms no part of the claimed design.

1 Claim, 4 Drawing Sheets

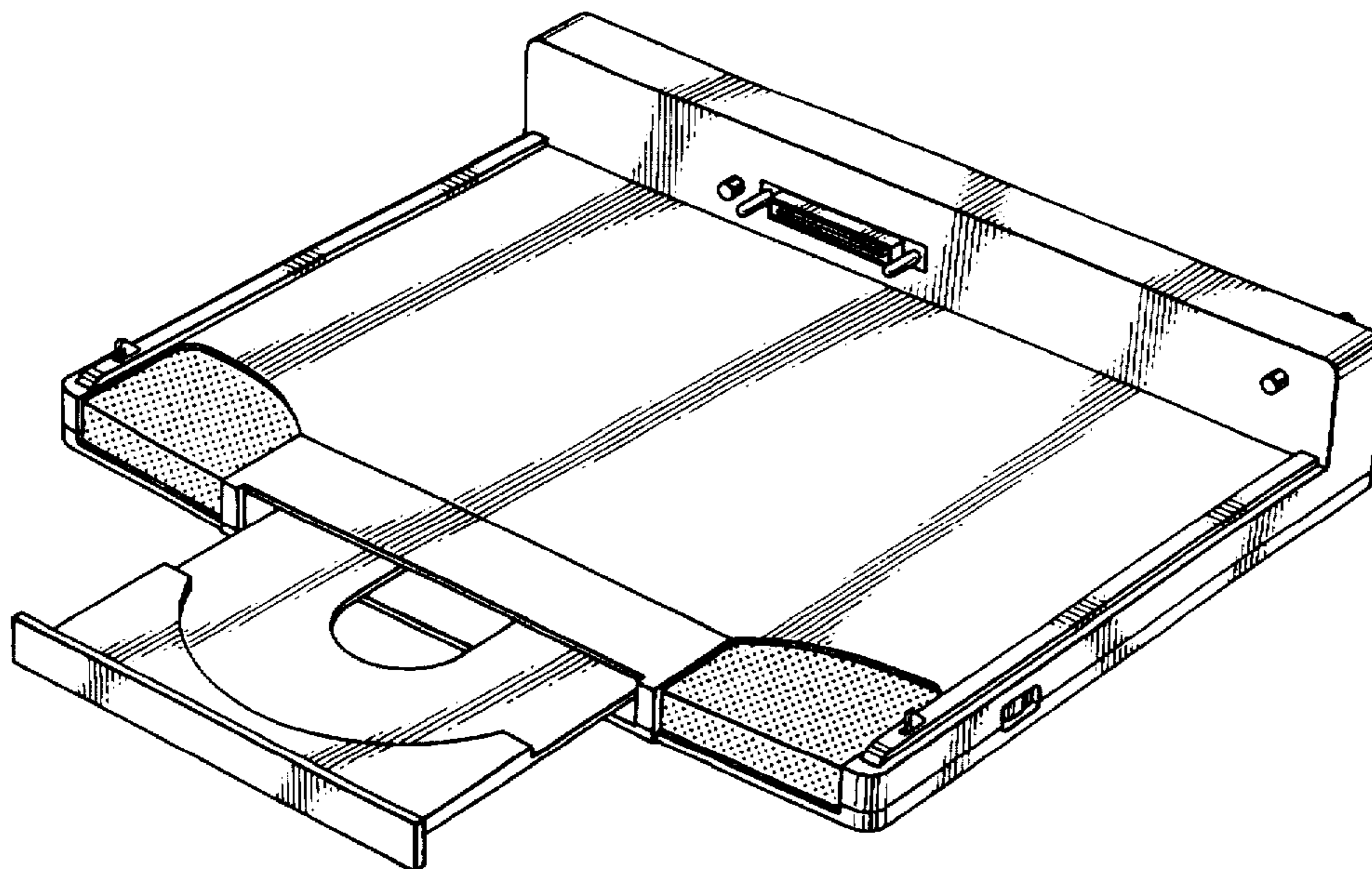


FIG. 1

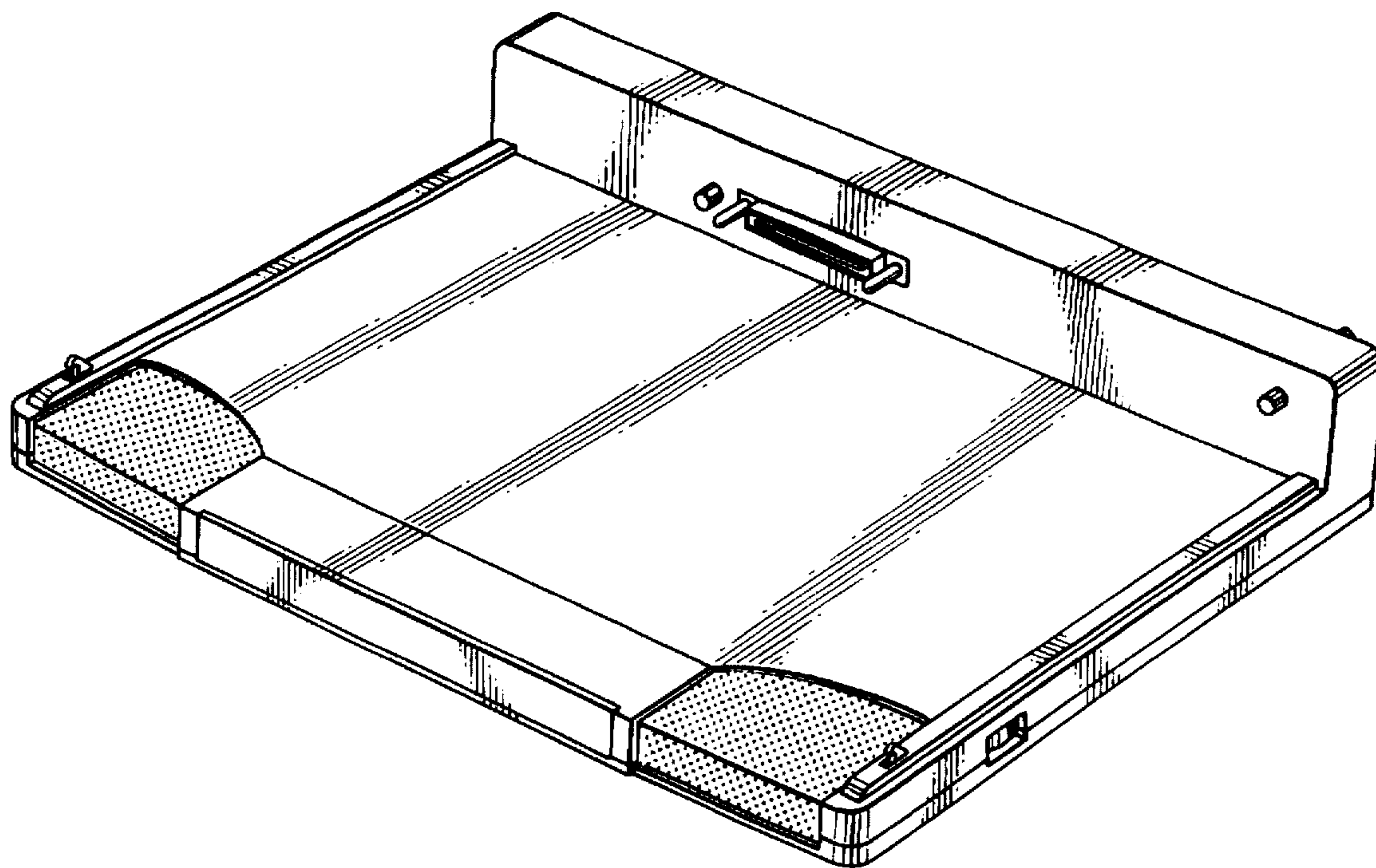


FIG. 2

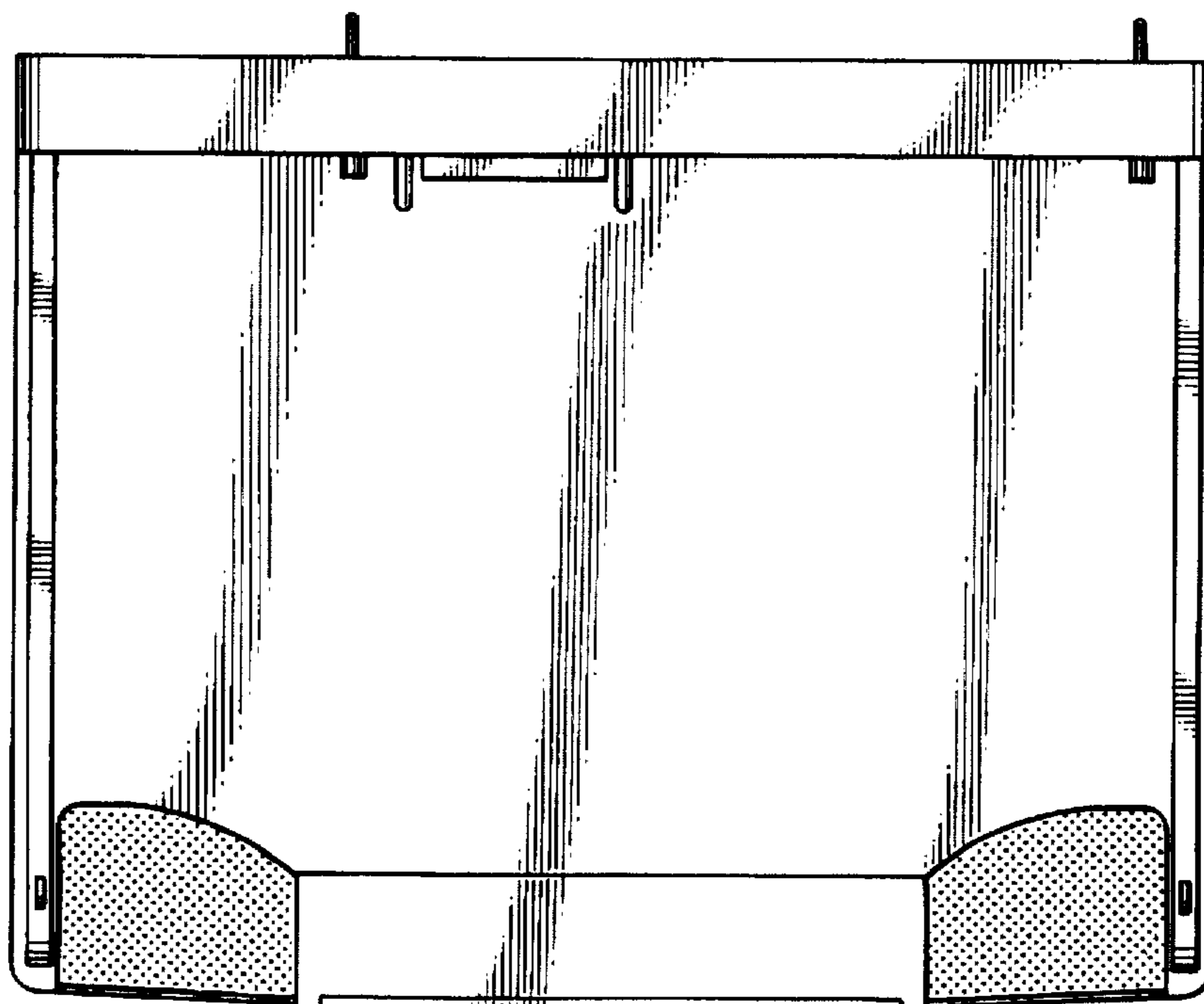


FIG. 3

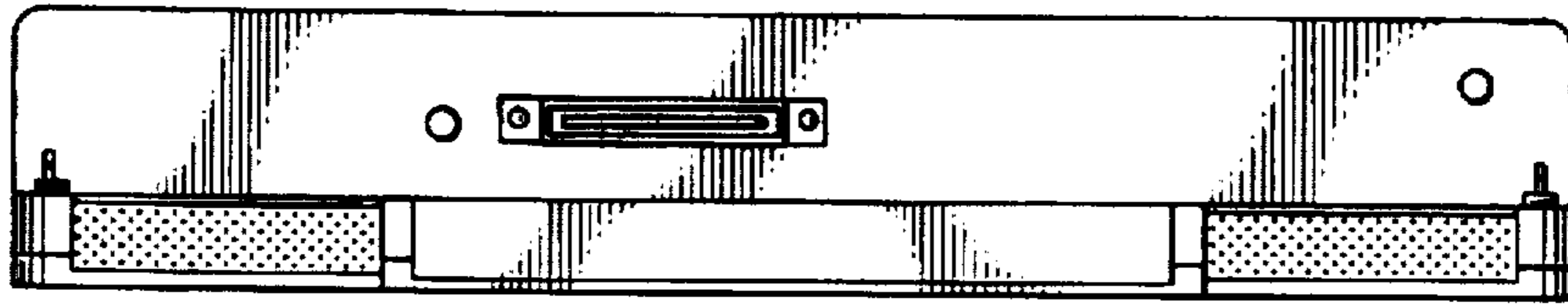


FIG. 4



FIG. 5



FIG. 6

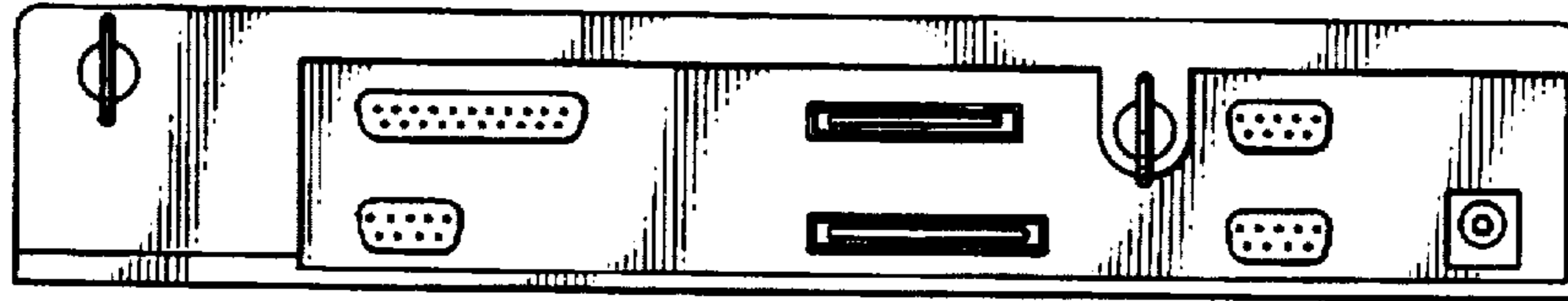


FIG. 7

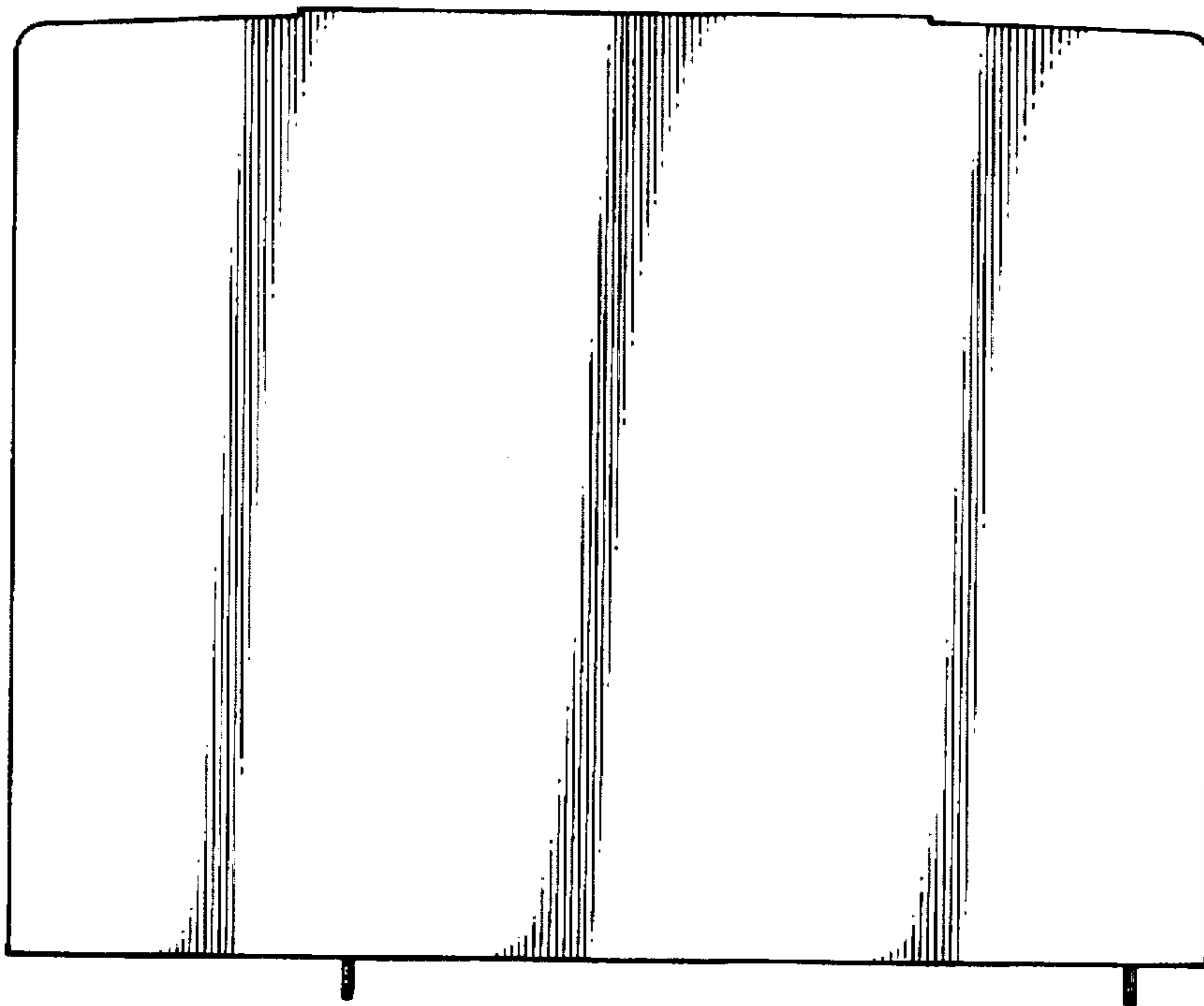


FIG. 8

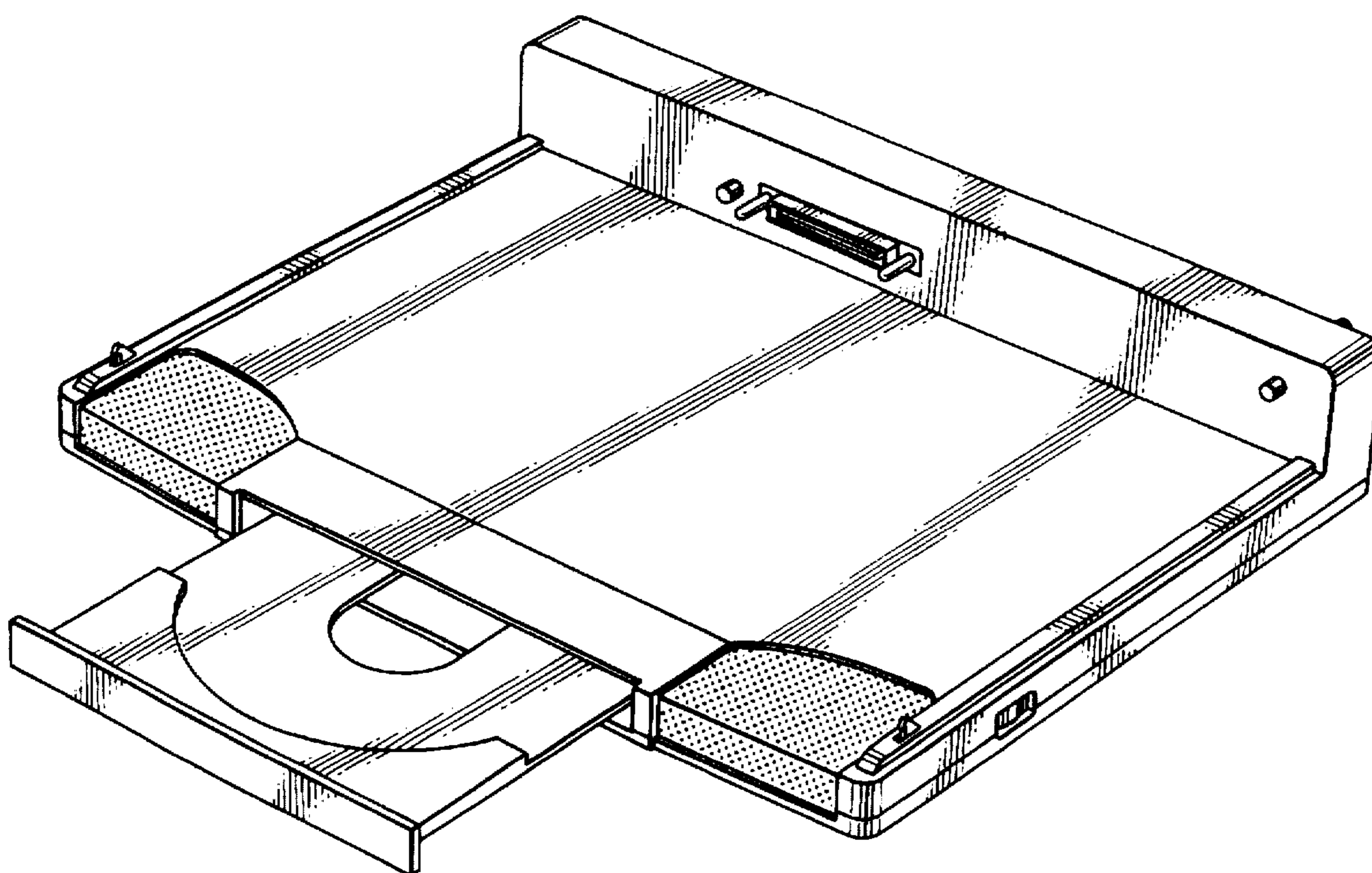


FIG. 9

