



US00D395867S

United States Patent [19]

Windecker

[11] Patent Number: **Des. 395,867**

[45] Date of Patent: ****Jul. 7, 1998**

[54] **COMPOSITE-MOLDED COMPUTER CASE ASSEMBLY**

[75] Inventor: **Theodore R. Windecker**, Austin, Tex.

[73] Assignee: **Iron Computer Corporation**, Austin, Tex.

[**] Term: **14 Years**

[21] Appl. No.: **72,183**

[22] Filed: **Jun. 12, 1997**

[51] LOC (6) Cl. **14-02**

[52] U.S. Cl. **D14/100**

[58] Field of Search D14/100, 102, D14/107-109; D13/162, 184, 199; D6/432, 436, 445, 448; 312/208.1; 360/99.12; 361/690-696

[56] References Cited

U.S. PATENT DOCUMENTS

D. 260,886 9/1981 Taylor D14/100

D. 313,794 1/1991 Coleman D14/100

Primary Examiner—Freda Nunn
Attorney, Agent, or Firm—Baker & Botts, L.L.P.

[57] CLAIM

The ornamental design for a composite-molded computer case assembly, as shown and described.

DESCRIPTION

FIG. 1 is a top perspective view of a composite-molded computer case showing my new design;

FIG. 2 is a frontal view of the present invention;

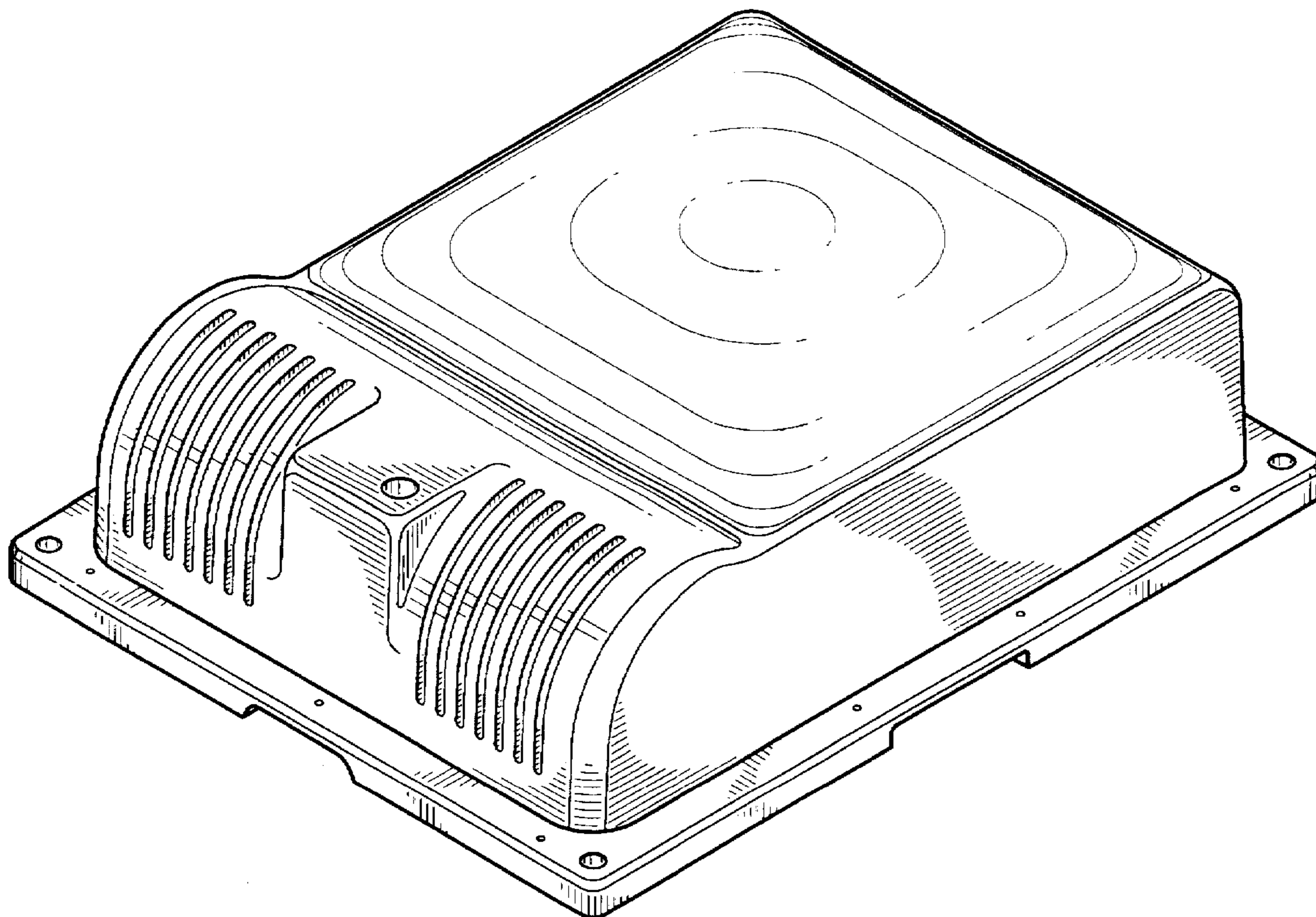
FIG. 3 is a side view of the present invention the opposite side being a mirror image;

FIG. 4 is a back view of the present invention;

FIG. 5 is a top view of the present invention; and,

FIG. 6 is a bottom view of the present invention.

1 Claim, 3 Drawing Sheets



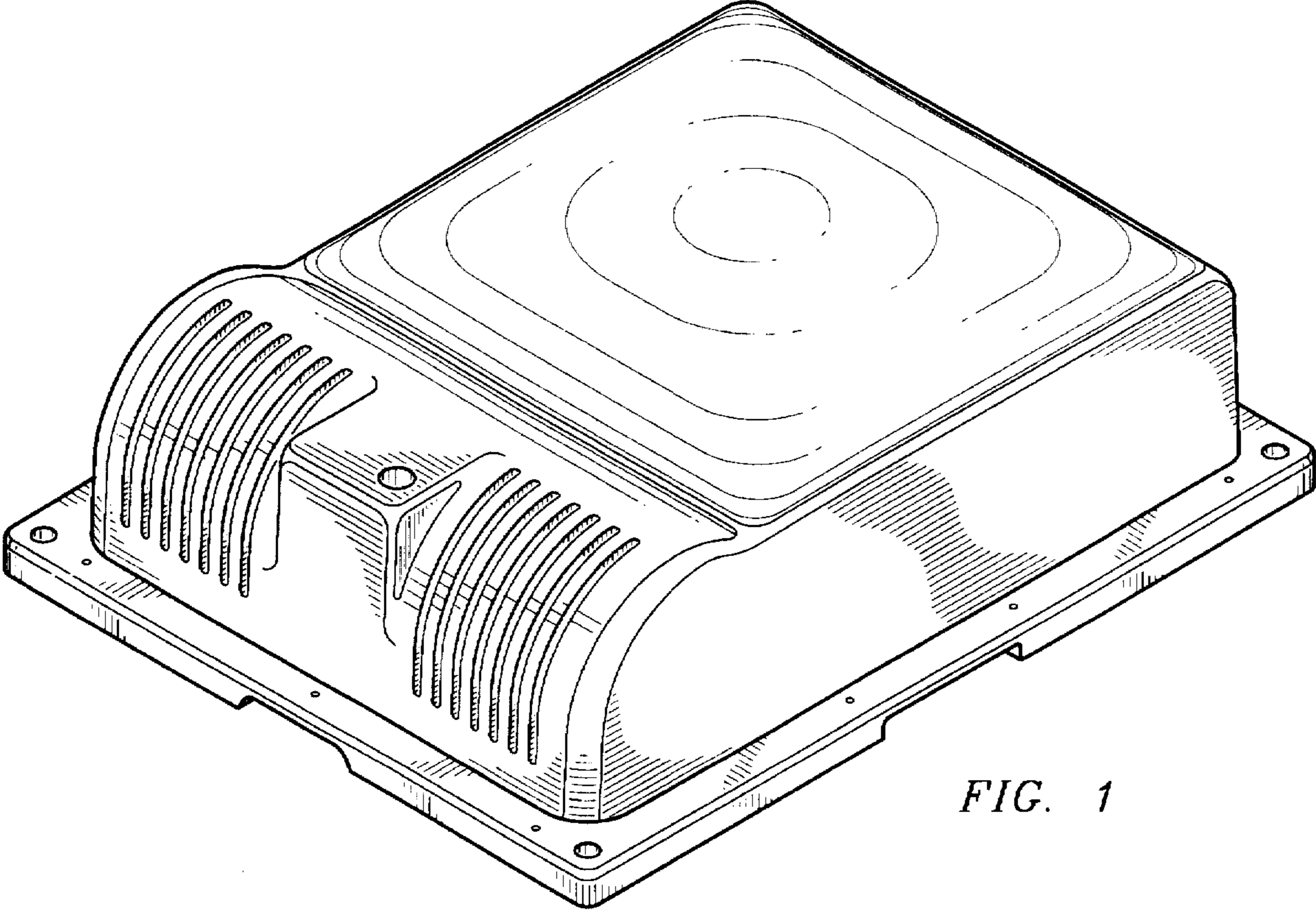


FIG. 1

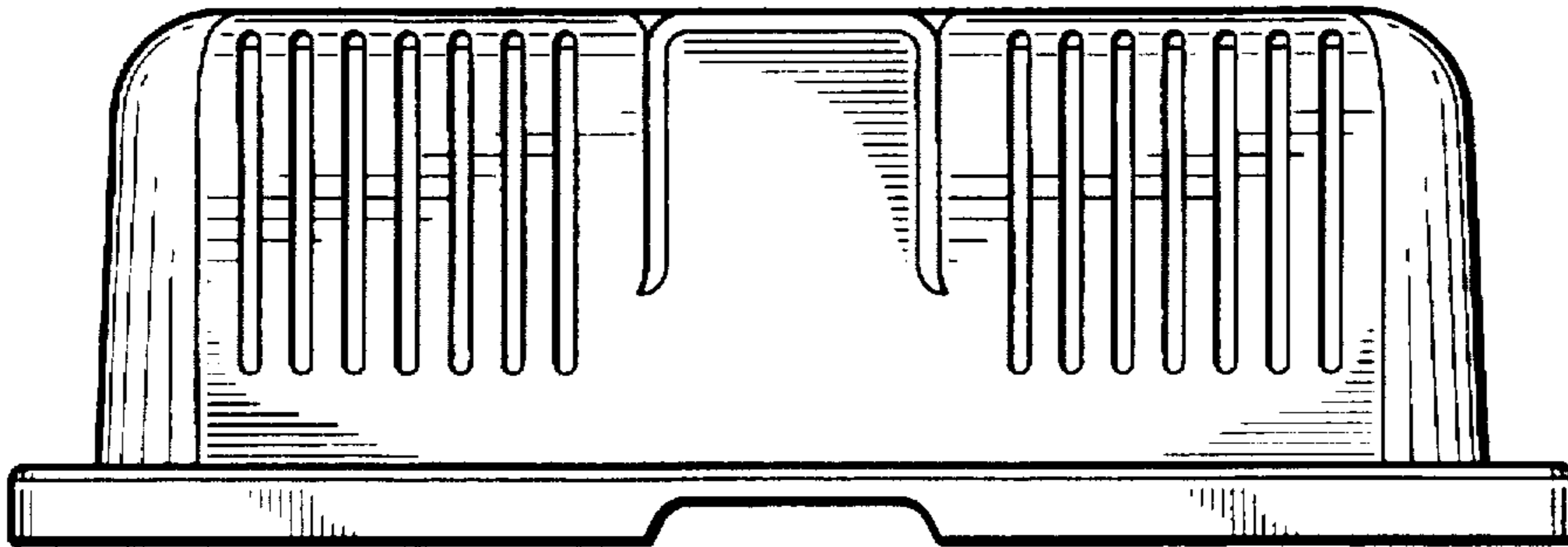


FIG. 2



FIG. 3



FIG. 4

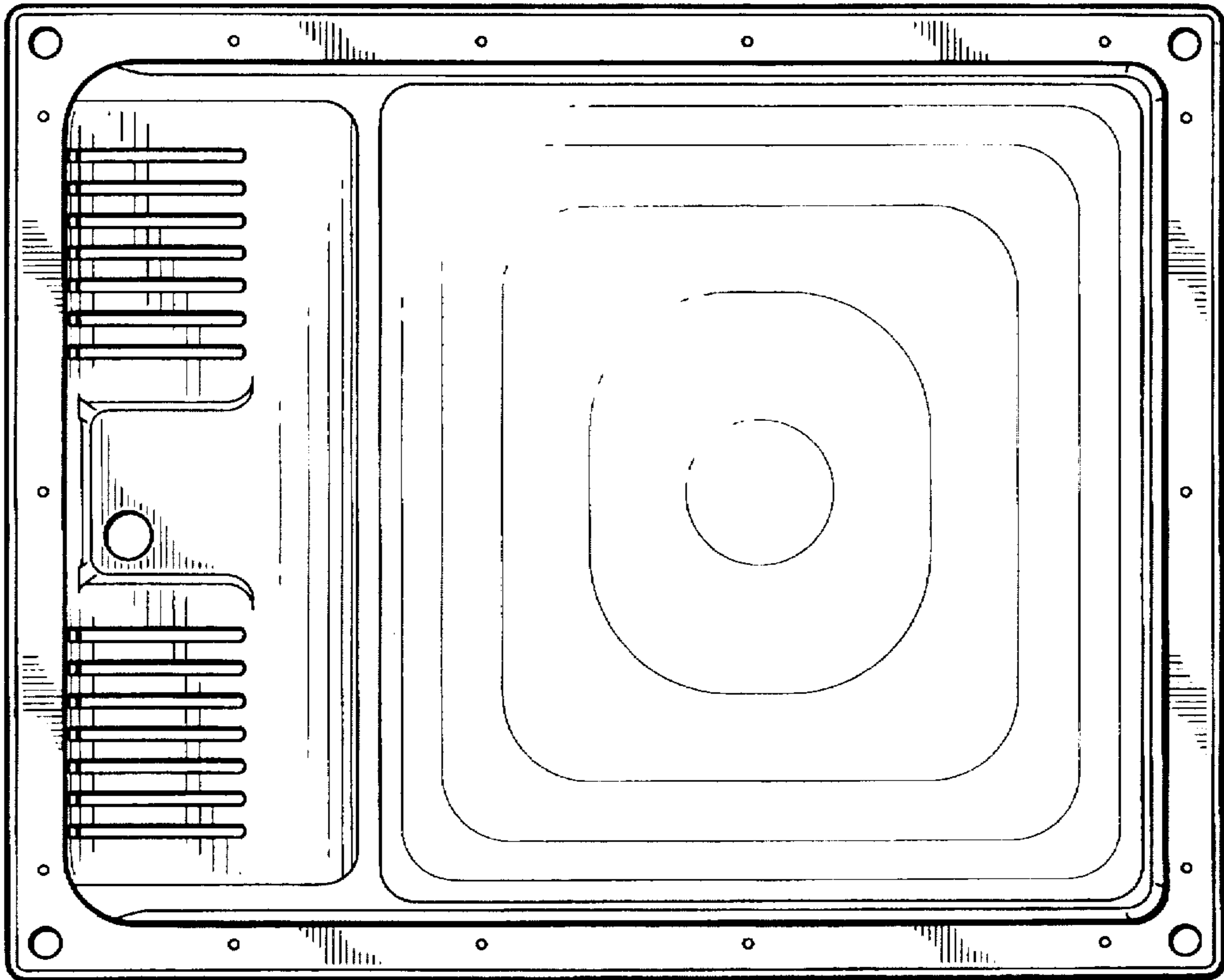


FIG. 5

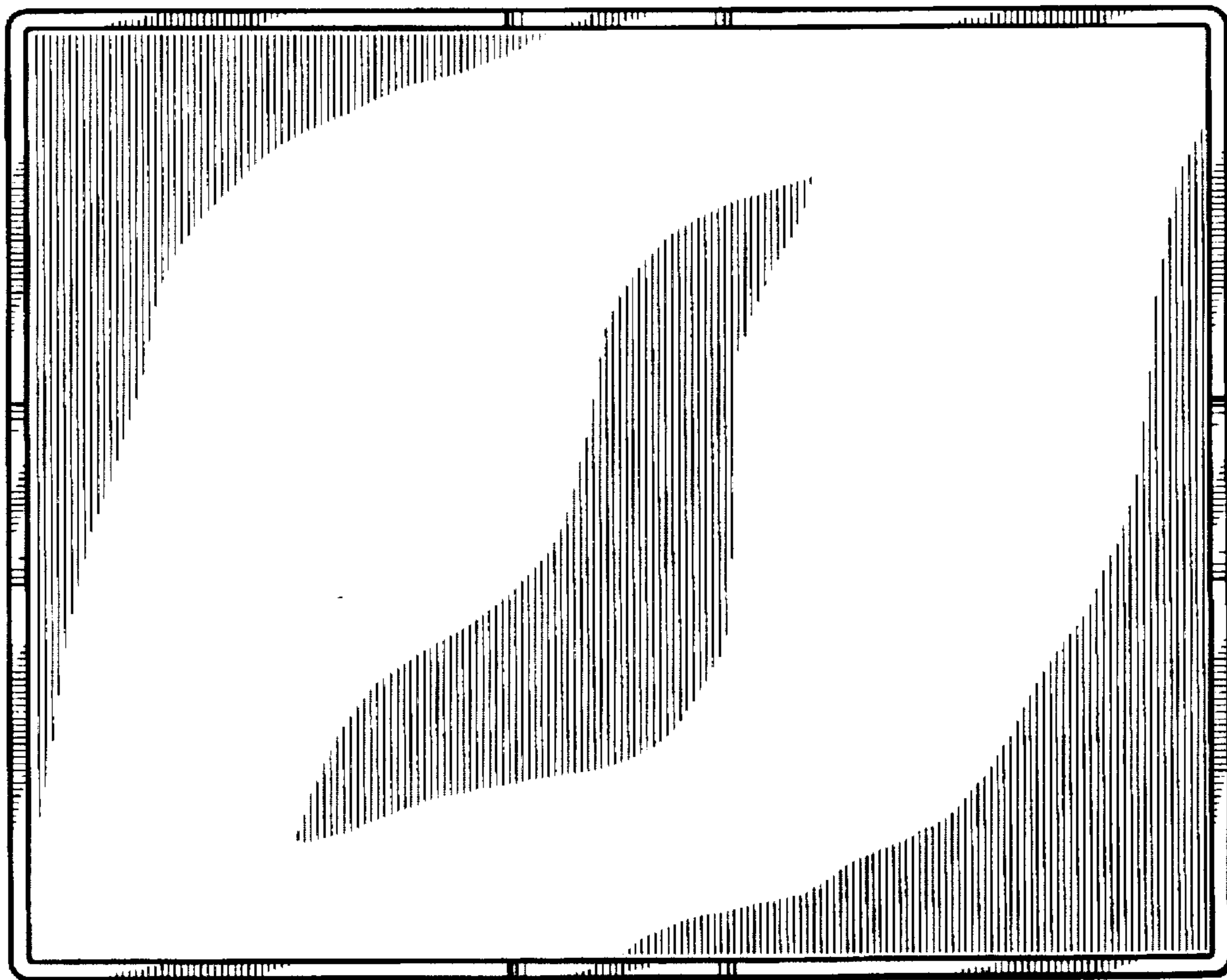


FIG. 6